

Surface Mount Post Installation Guide

PLEASE READ ALL INSTRUCTIONS CAREFULLY BEFORE INSTALLING FIXTURES.



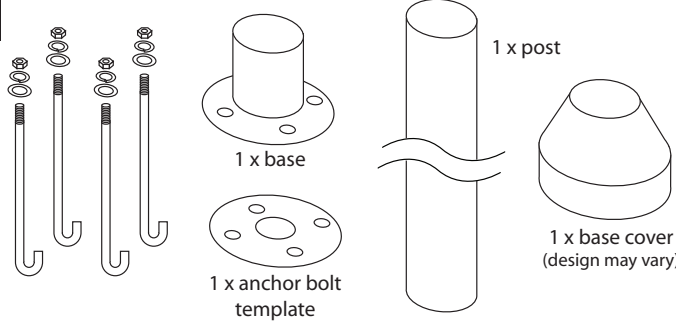
CAUTION: DISCONNECT POWER AT THE BREAKER BOX BEFORE BEGINNING INSTALLATION
TURNING OFF POWER AT THE SWITCH ALONE IS INADEQUATE TO INSURE YOUR SAFETY
FAILURE TO PROPERLY DISCONNECT THE MAIN POWER SUPPLY MAY RESULT IN SERIOUS INJURY

- We strongly recommend that you check your local wiring codes and consult an electrical contractor before installing post.
- We do not guarantee this method of installation satisfies your particular local building codes. Call local municipality.
- Before starting any digging project, call 811 to prevent against unintentionally hitting any underground utility lines.

INCLUDED:

4 x nuts, lock washers, flat washers, and j bolts

1 x 3/16" hex allen wrench

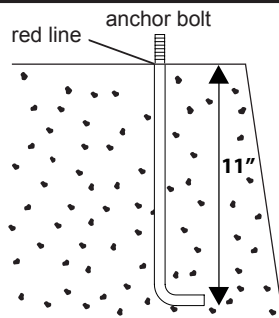
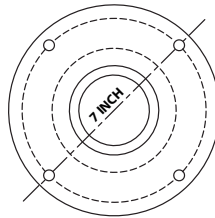


1 Dig a hole 12" - 15" in diameter to a minimum of 30" deep. Consult local codes. Dig trench from power source to lamp post hole. Check local codes for trench depth. Run power through trench and conduit into center of hole as shown in diagram to the right. Be sure to leave enough wire for 10" service loop after feeding wire through pole.

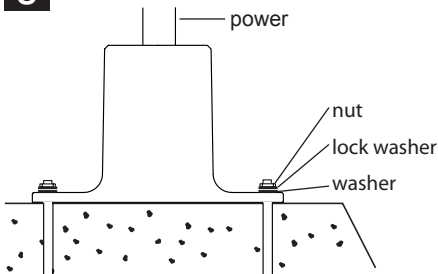
2 Pour reinforced concrete into post hole and install anchor bolts before concrete is dry using included template.

IMPORTANT: Be sure to level concrete surface and install j bolts vertical and plumb or post will not sit correctly. Install j bolts so that the red line on the bolt is even with the surface of the concrete.

Be sure conduit remains above concrete surface.



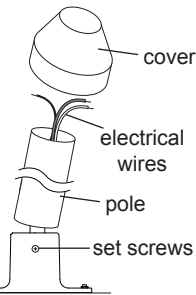
3 Install base.



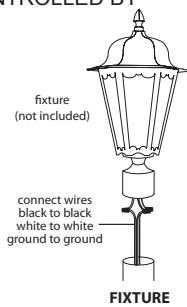
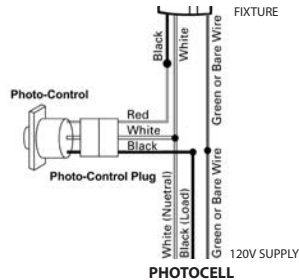
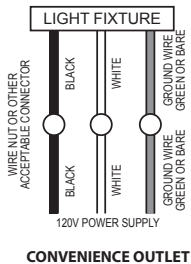
4 Lay pole on its side and feed electrical wires through the pole.

Slide pole into base and tighten set screws with allen wrench (included).

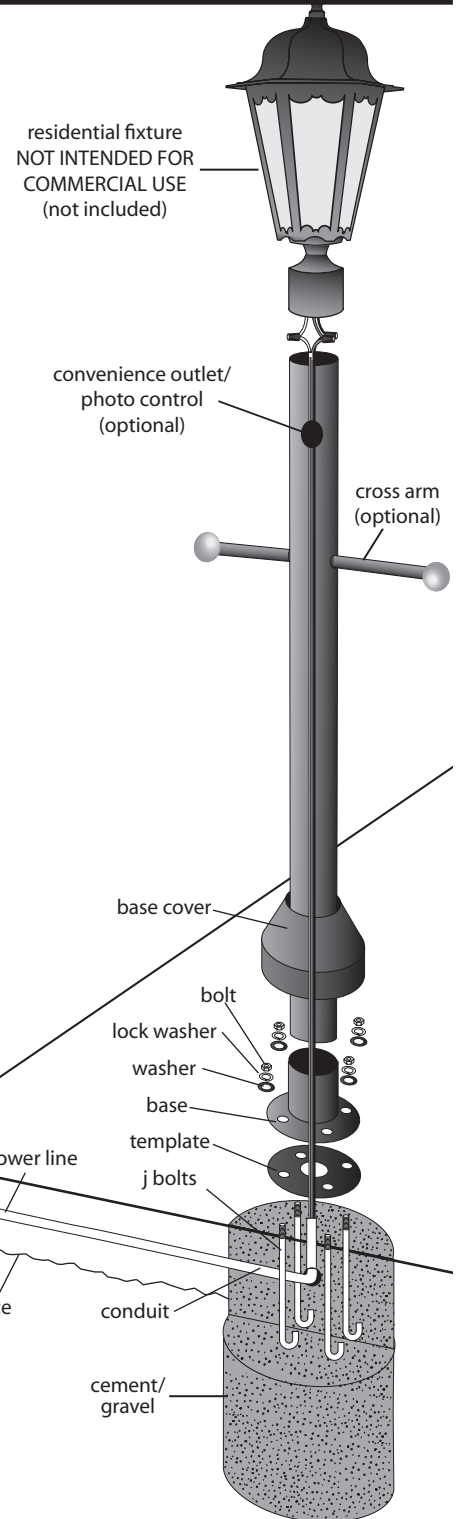
Slide base cover over pole while feeding electrical wires through opening in top of cover. Be careful not to scratch pole while sliding cover to bottom of pole.



5 Connect convenience outlet, photocell, and fixture, if purchased. (Wire nuts not included) NOTE: IF YOU PREFER THE CONVENIENCE OUTLET TO BE CONTROLLED BY PHOTOCELL, CONNECT PHOTOCELL FIRST.



6 Insert crossarm, if purchased. Turn on power.



SAFETY NOTE: Selecting a post for performance and safety requires a full understanding of various factors and conditions. Professional engineering assistance in selecting a post is highly recommended. Purchaser is responsible for meeting any and all codes or requirements. If you choose a post without getting such assistance, you do so at your own risk.

ANCHOR BOLT INSTRUCTIONS

FOR
CAT. NO. 2403 FLANGE BASE

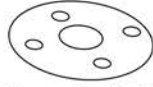
INCLUDED



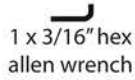
4 x nuts, lock washers,
flat washers, and j bolts



1 x base



1 x anchor bolt
template

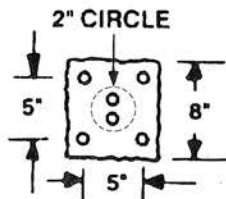


1 x 3/16" hex
allen wrench



Know what's below.
Call 811 before you dig.

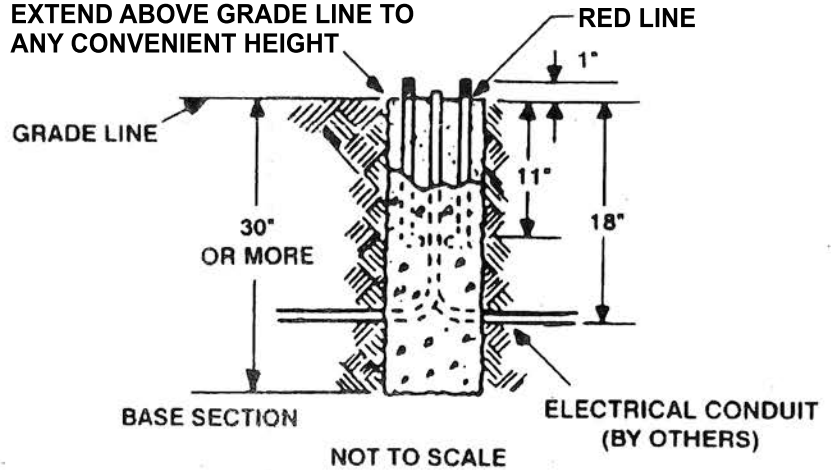
ALL CONDUITS OR UF
CABLE MUST LIE WITHIN
A 2" CIRCLE
CENTERED
BETWEEN ANCHOR BOLTS.



PLAN VIEW

NOTE: WE RECOMMEND THAT YOU CHECK YOUR LOCAL
WIRING CODES AND CONSULT AN ELECTRICAL
CONTRACTOR BEFORE INSTALLING POST

REINFORCED CONCRETE SHOULD
EXTEND ABOVE GRADE LINE TO
ANY CONVENIENT HEIGHT



BASE SECTION

NOT TO SCALE

ELECTRICAL CONDUIT
(BY OTHERS)

NOT TO SCALE

7 INCH BOLT CIRCLE

7/16 INCH DIAMETER HOLES

IMPORTANT:
USE STEEL ANCHOR BOLT
TEMPLATE INCLUDED.
THE DRAWING ON THIS
SHEET IS NOT TO SCALE
AND IS FOR REFERENCE
ONLY. IN THE EVENT
THAT THE ANCHOR BOLT
TEMPLATE IS LOST, BOLT
PLACEMENT MUST BE
MEASURED AT 7 INCH
BOLT CIRCLE AS SHOWN.