

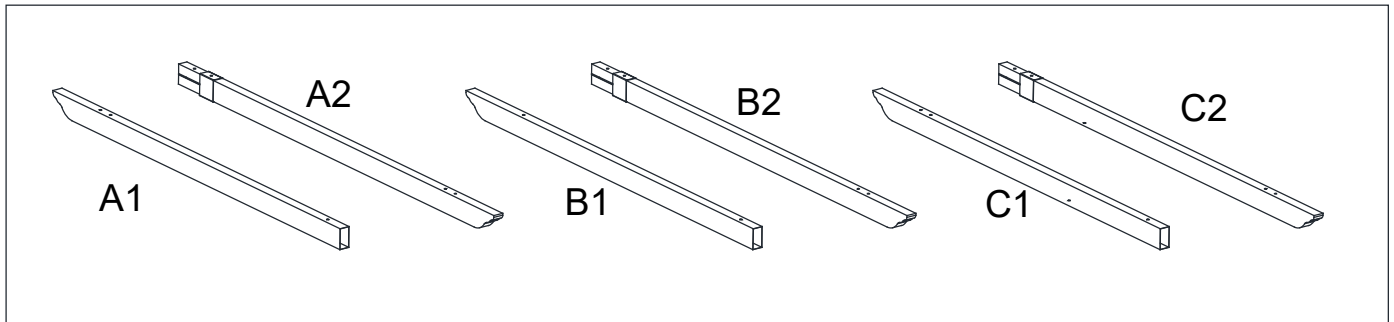
INSTALLATION GUIDE

10'x10' Curved Roof Pergola



Operation

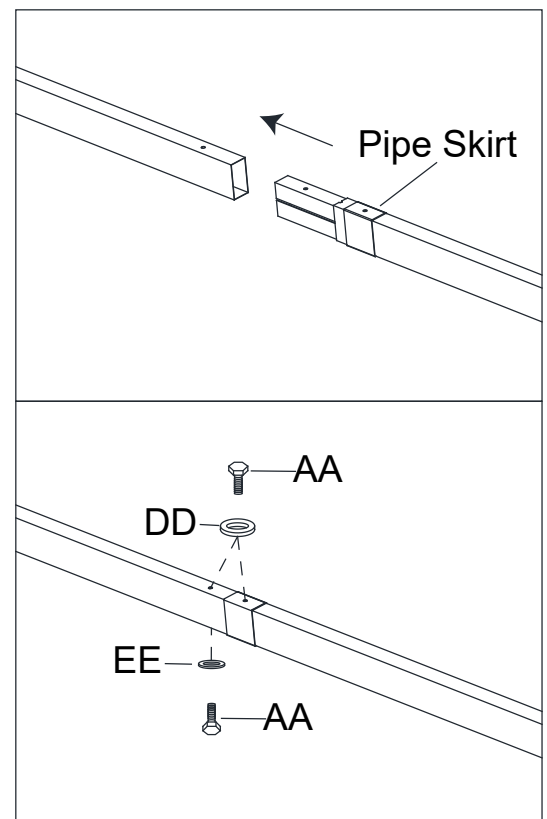
1



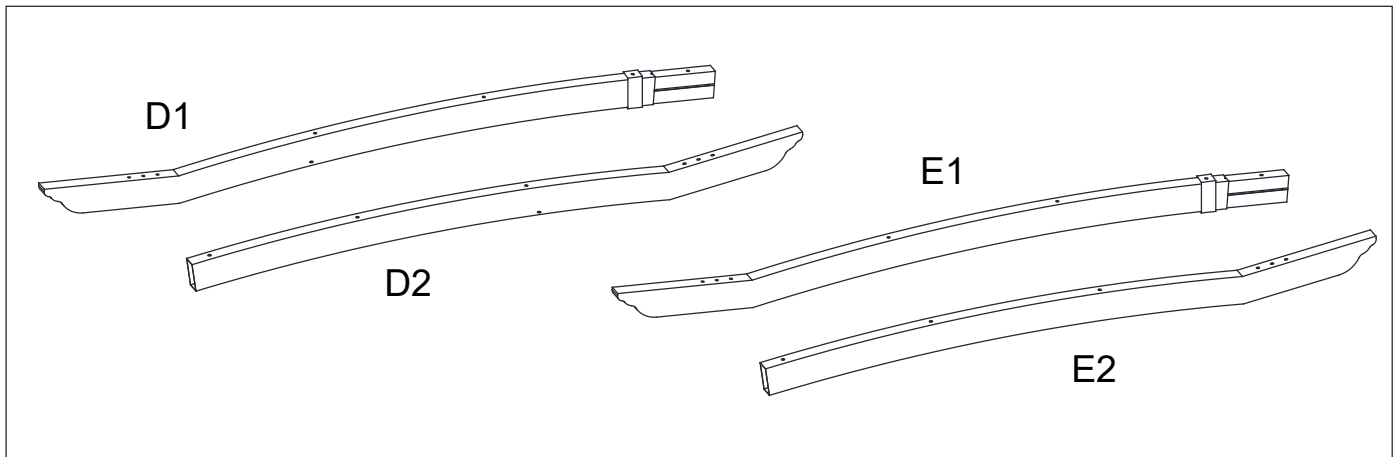
- Set aside all rafter pieces. Assemble the left rafter by inserting the left rafter, male (A1) into the left rafter, female (A2). Secure the top of the joined rafter with a plastic washer (DD) and M6*15 mm bolt (AA).

Secure the bottom of the rafter with a washer (EE) and M6*15 mm bolt (AA). Slide the preassembled pipe skirt on the joined rafter. Secure pipe skirt with a washer (DD) and M6*15 mm bolt (AA).

Repeat this process for the five center rafters using the center rafters, male (B1) and center rafters, female (B2). Repeat this process for the right rafter using the right rafter, male (C1) and right rafter, female (C2).

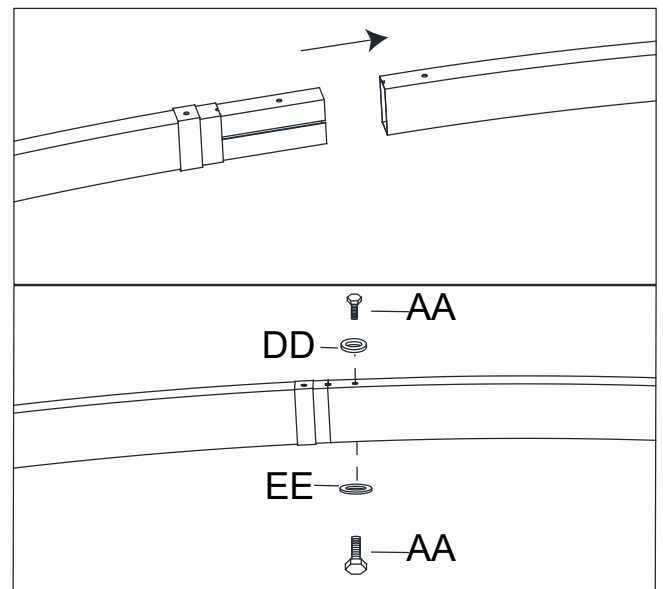


2



- Set aside all beam. Assemble the rear beam by inserting the rear beam, male (D1) into the rear beam, female (D2). Secure the of the joined beam with a plastic washer (DD) and M6*15 mm bolt (AA). Secure the bottom of the beam with a washer (EE) an M6*15 mm bolt (AA).

Repeat this process for the front beam using the front beam, male (E1) and front beam, female (E2).

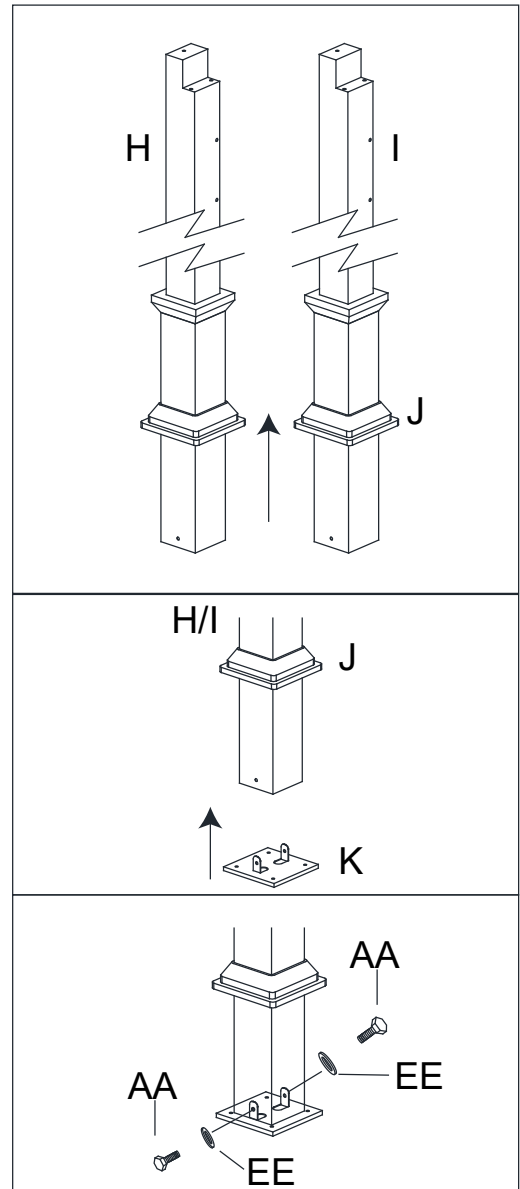


Operation (continued)

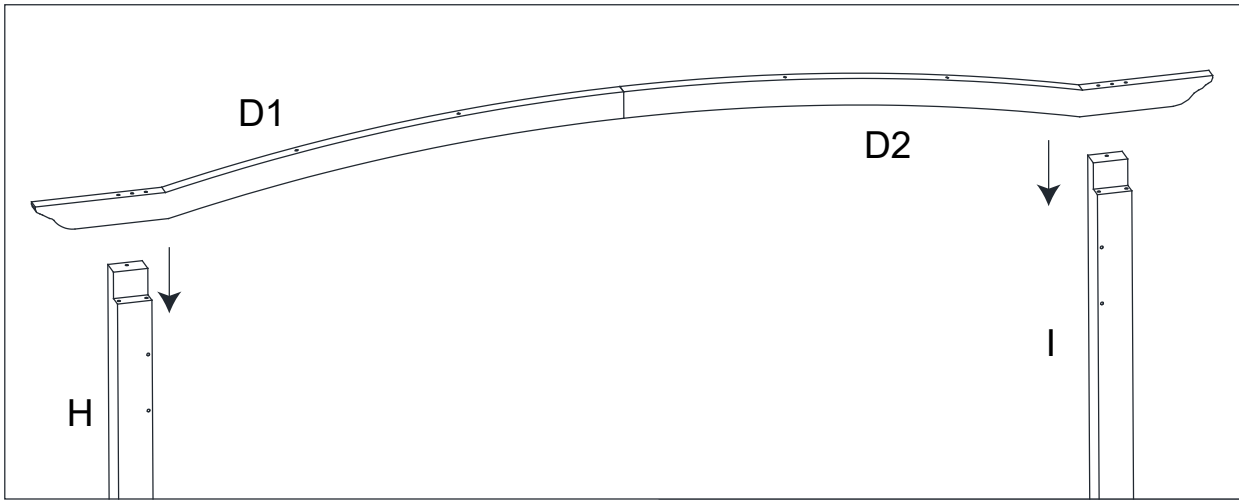
3

- Slide one post skirt (J) onto each post 1 (H) and post 2 (I).

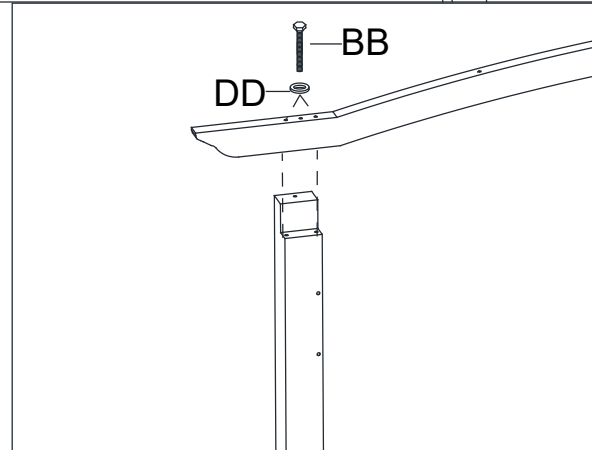
Attach one plate (K) to each post 1 (H) and post 2 (I). Secure each with washers (EE) and M6*15 mm bolt (AA).



4

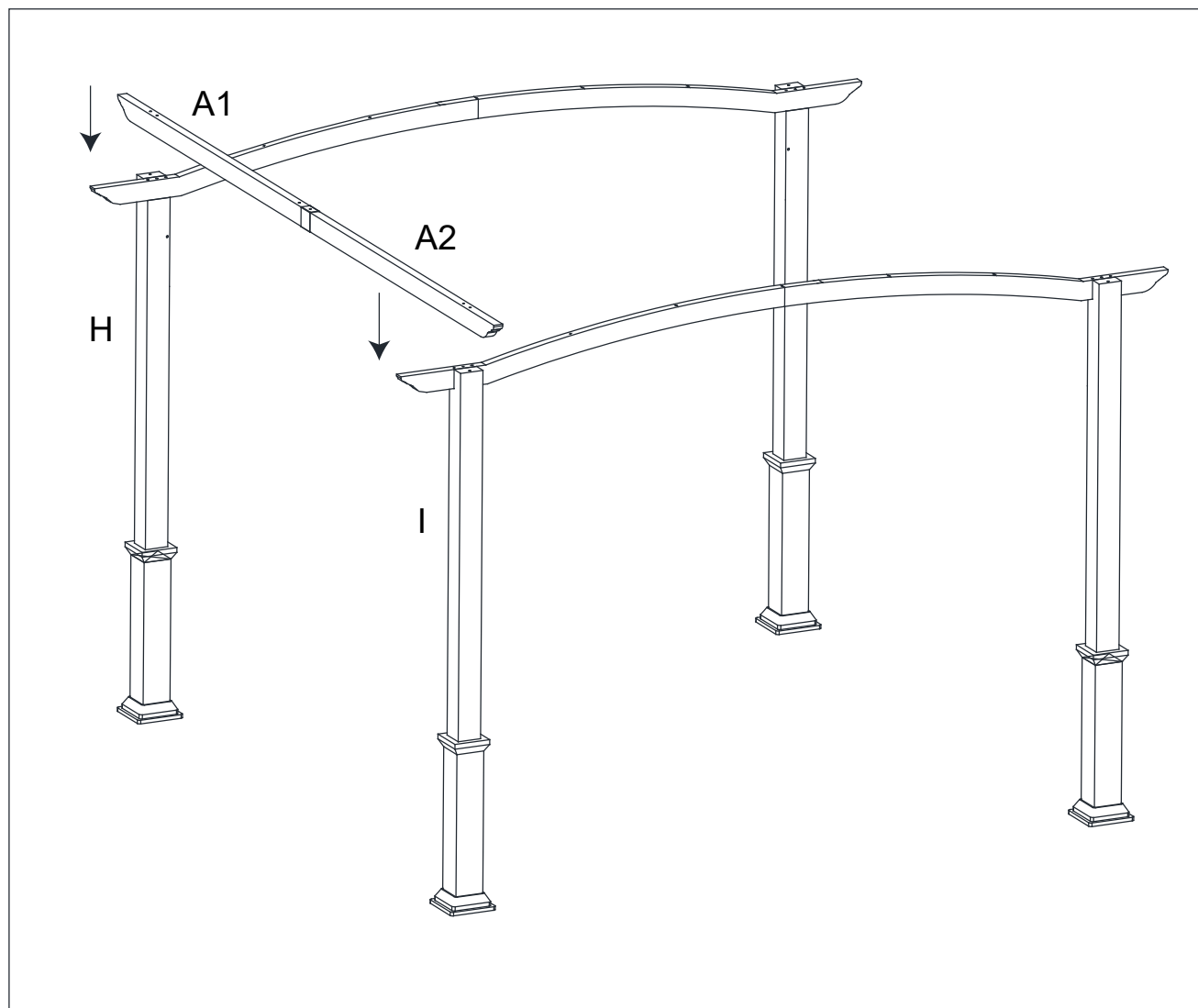


- Attach rear beam (D1/D2) to post 1 (H) and post 2 (I). Secure with plastic washers (DD) and M6*95 mm bolts (BB). Repeat for front beam (E1/E2).

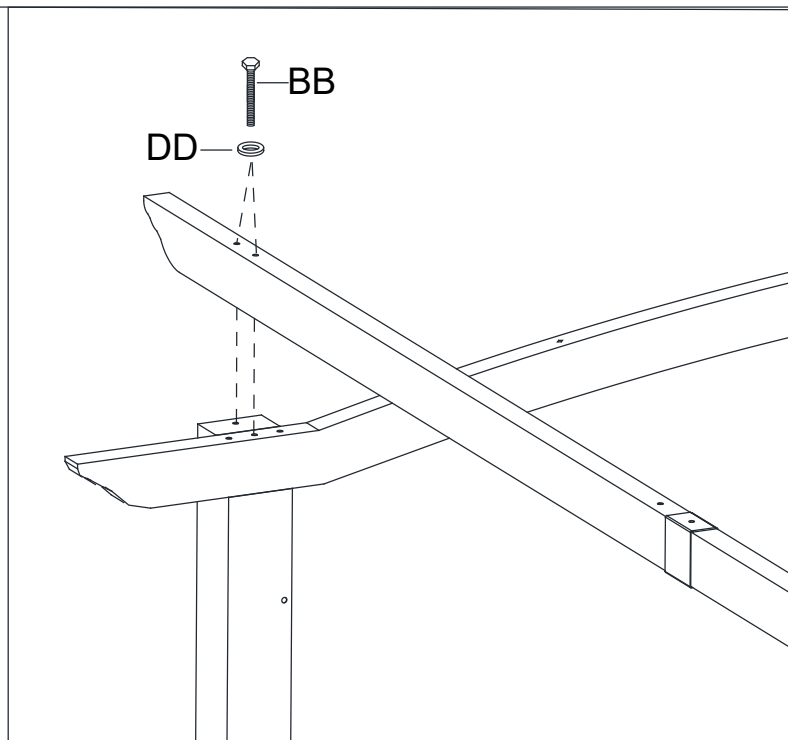


Operation (continued)

5



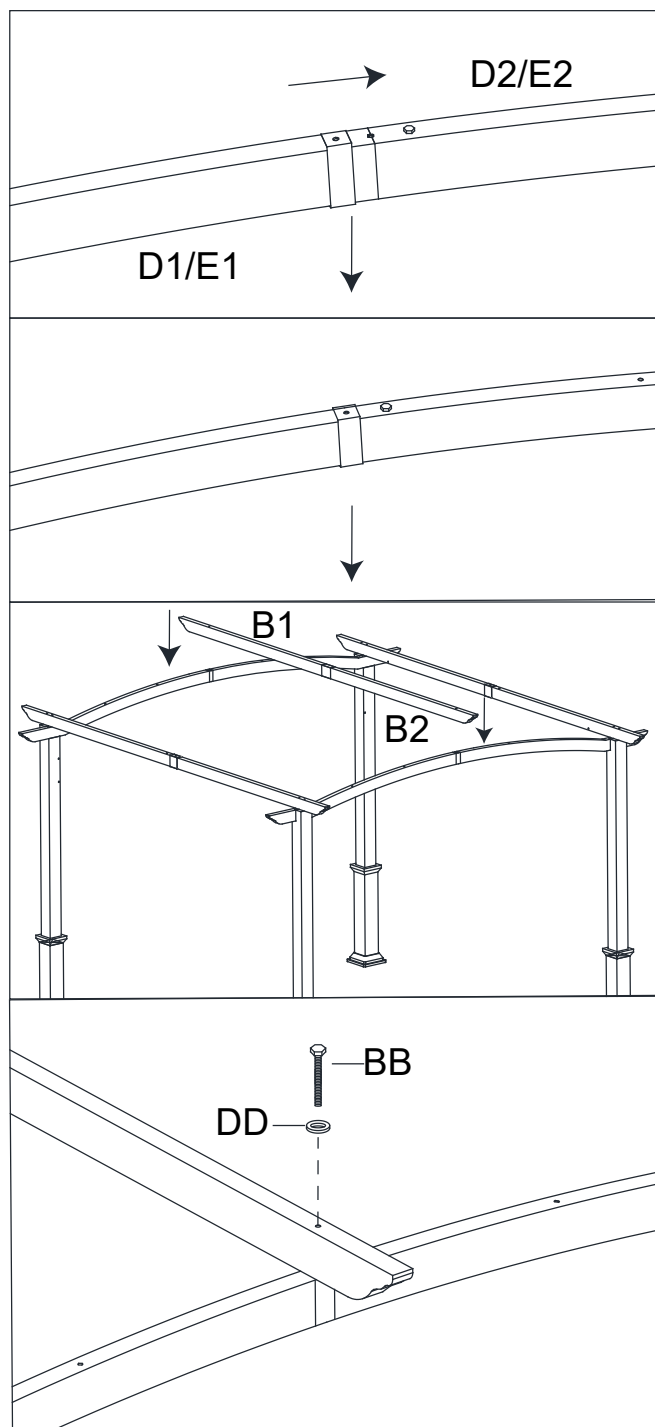
- Attach left rafter (A1/A2) to the top of the beam and post assembly. Secure on both sides with plastic washers (DD) and M6*95mm bolt (BB). Repeat for right rafter (C1/C2).



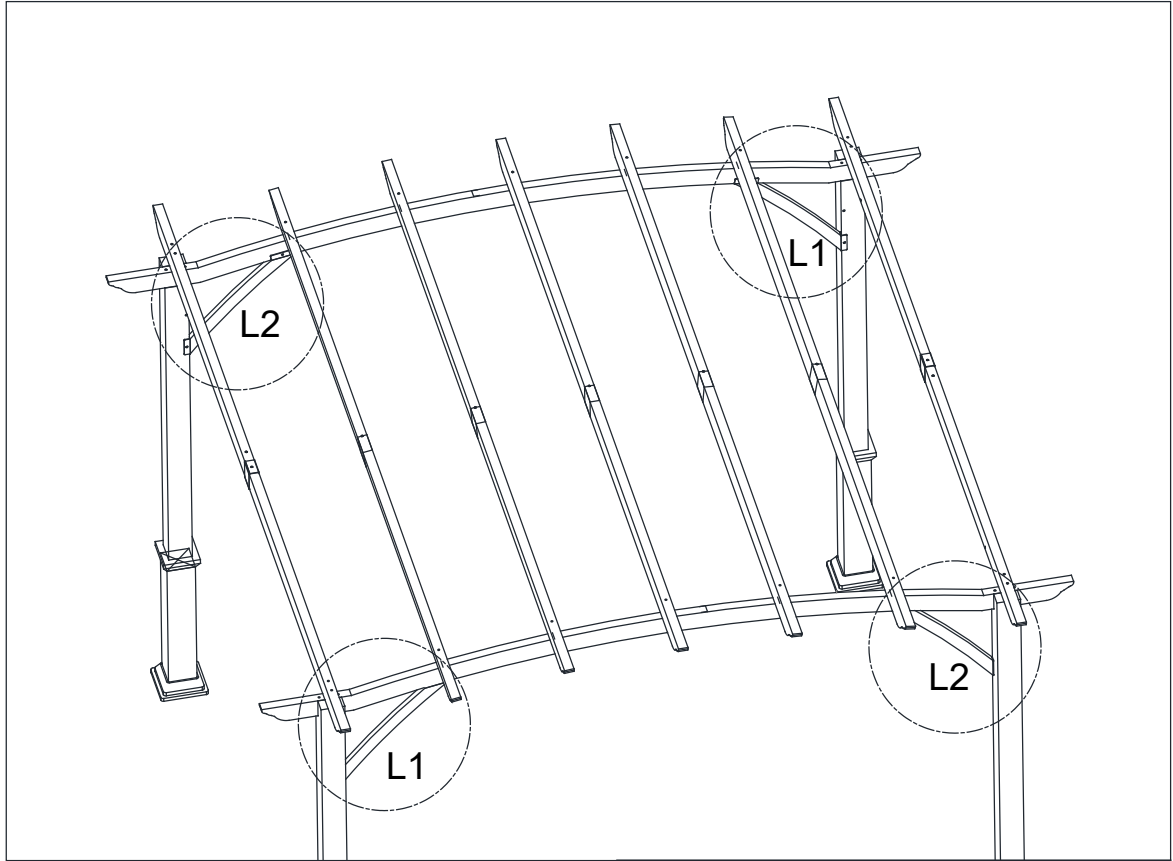
Operation (continued)

6

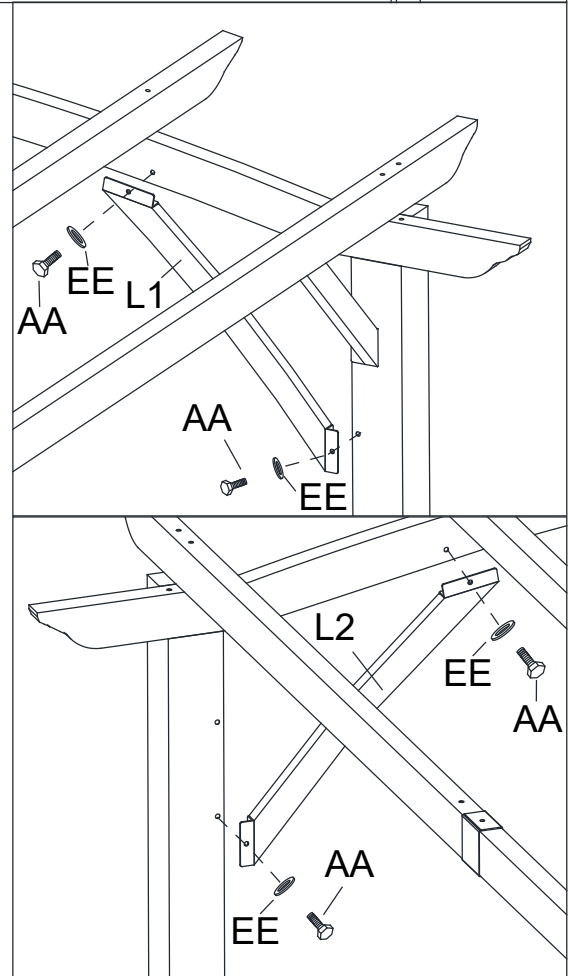
- Slide the pipe skirt on the center of the beam (D1D2/E1E2) as shown, then attach center rafter (B1/B2) to the top center of the beam. Secure with plastic washer (DD) and M6*95 mm bolt (BB). Repeat for four remaining center rafters (B1/B2).



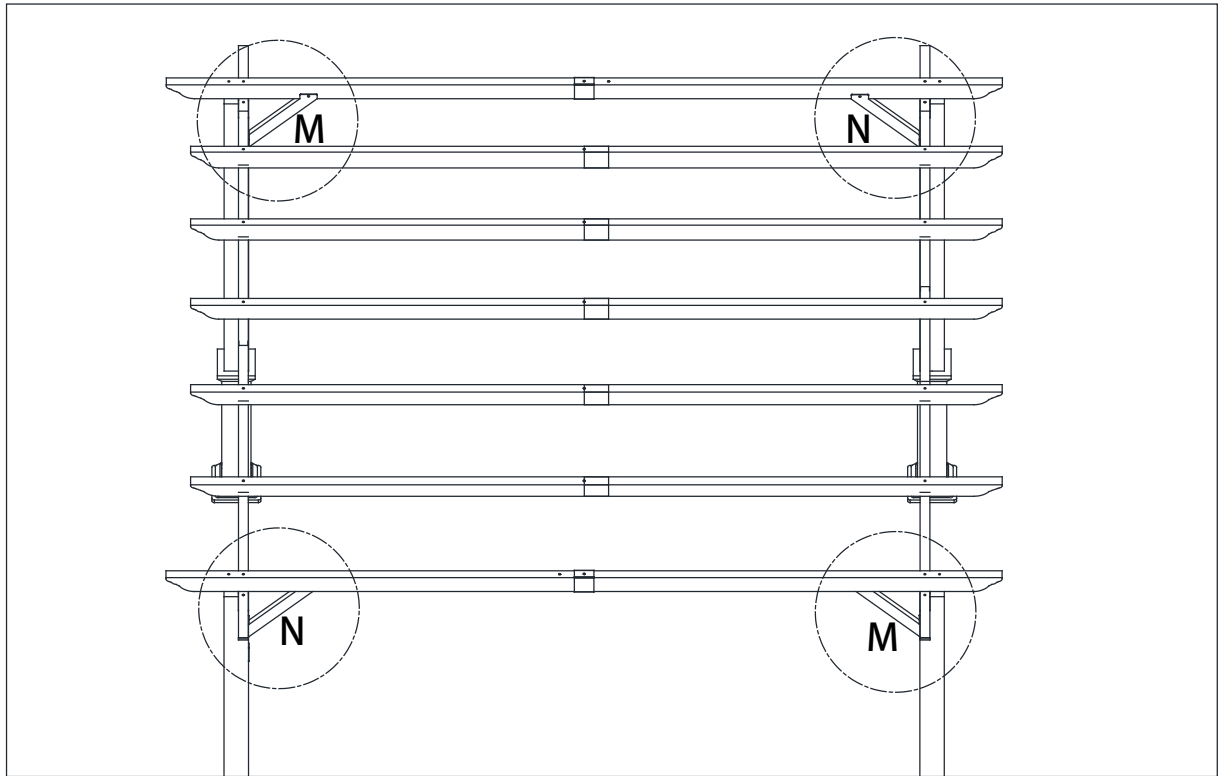
7



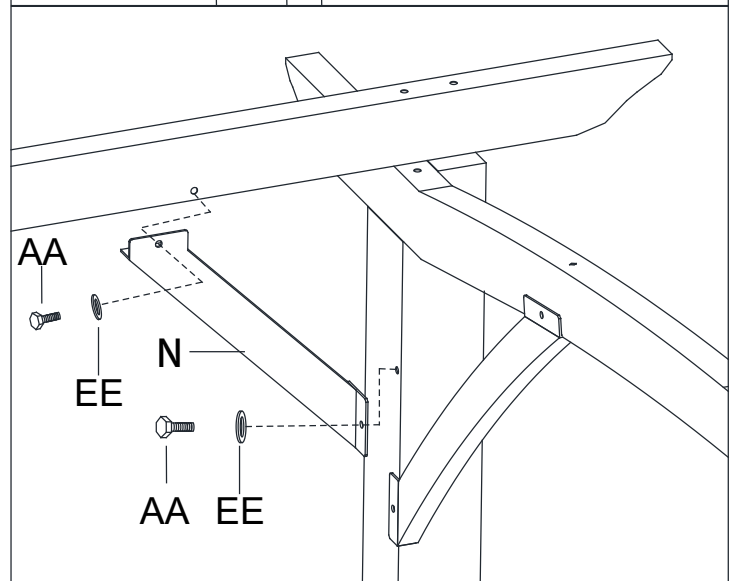
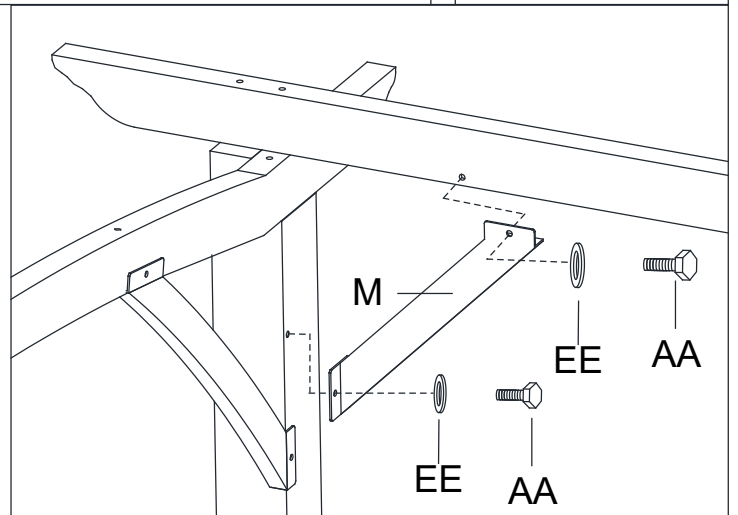
- Attach a brace (L1/L2) to the pergola assembly as shown. Secure with washers (EE) and M6*15 mm bolt (AA). Repeat for remaining braces (L1/L2).



8



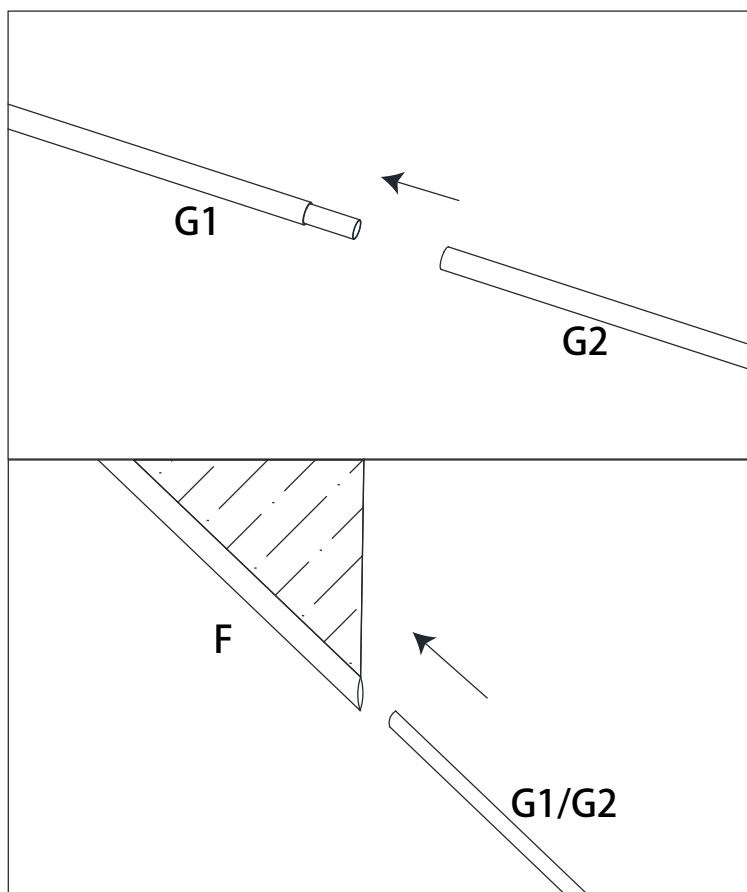
- Attach a brace (N/M) to the pergola assembly as shown. Secure with washers (EE) and M6*15 mm bolts (AA). Repeat for remaining brace (N/M).



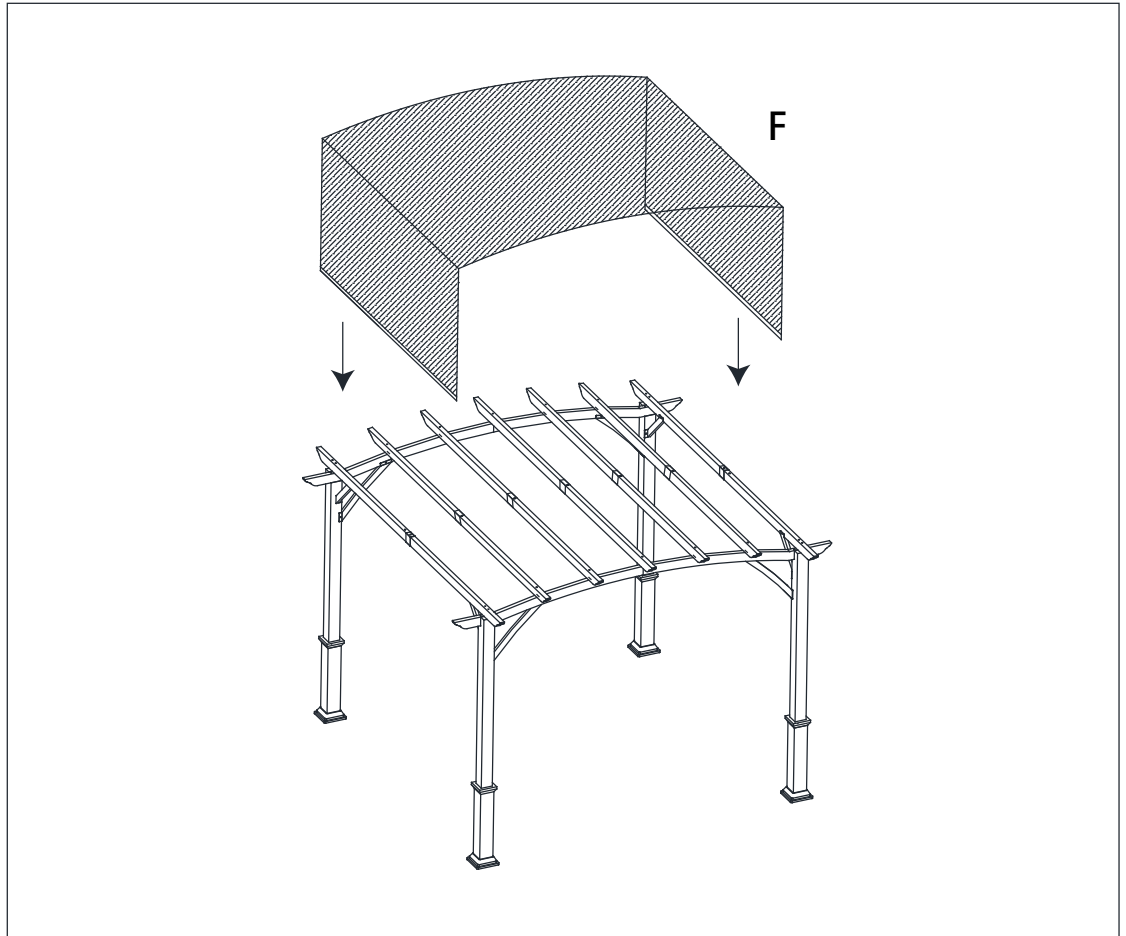
Operation (continued)

9

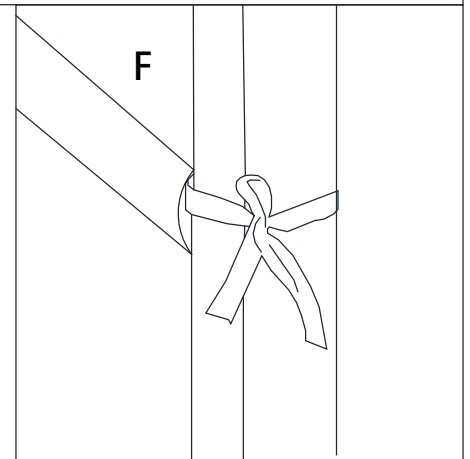
- Insert rod, male (G1) into rod, female (G2). Insert rod assembly into canopy (F). Repeat for remaining rod assembly.



10



- Place canopy (F) over pergola. Tie corners of canopy (F) to each post.



11

- Insert stakes (FF) into plate (K). Place post skirt (J) over plate (K). Repeat for remaining stakes (FF) and post skirts (J).

