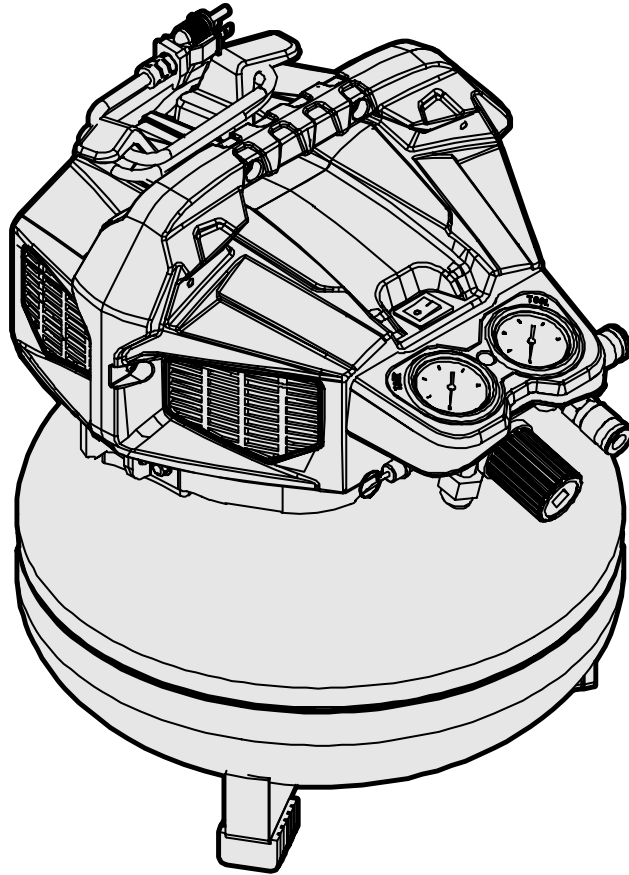




MODEL AP6092

6-GALLON OIL-FREE AIR COMPRESSOR

Instruction Manual



NEED HELP? CONTACT US!

Have product questions? Need technical support? Please feel free to contact us:



1-847-429-9263 (M-F 8AM-5PM CST)



TECHSUPPORT@WENPRODUCTS.COM

IMPORTANT: Your new tool has been engineered and manufactured to WEN's highest standards for dependability, ease of operation, and operator safety. When properly cared for, this product will supply you years of rugged, trouble-free performance. Pay close attention to the rules for safe operation, warnings, and cautions. If you use your tool properly and for its intended purpose, you will enjoy years of safe, reliable service.

For replacement parts and the most up-to-date instruction manuals, visit ***WENPRODUCTS.COM***

CONTENTS

WELCOME	3
Introduction	3
Specifications.....	3
SAFETY	4
General Safety Rules.....	4
Air Compressor Safety Warnings.....	6
Electrical Information.....	7
BEFORE OPERATING	8
Know Your Air Compressor.....	8
Assembly & Adjustments.....	9
OPERATION & MAINTENANCE	10
Operation	10
Maintenance.....	12
Troubleshooting Guide.....	13
Exploded View & Parts List.....	14
Warranty Statement.....	16


To purchase accessories and replacement parts for your tool, visit **WENPRODUCTS.COM**

50 ft. 12-Gauge Heavy-Duty SJTW Outdoor Extension Cord **(Model PC5043R)**
50 ft. 14-Gauge Heavy-Duty SJTW Outdoor Extension Cord Reel **(Model PC5043R)**
25-Foot by 3/8-Inch 300 PSI Hybrid Polymer Pneumatic Air Hose **(Model AH3825)**
50-Foot by 3/8-Inch 300 PSI Hybrid Polymer Pneumatic Air Hose **(Model AH3850)**
100-Foot by 3/8-Inch 300 PSI Hybrid Polymer Pneumatic Air Hose **(Model AH3800)**

WEN offers a full range of nailers and staplers that are compatible with your air compressor. Check out the ever-expanding lineup of pneumatic tools at **wenproducts.com**.

INTRODUCTION

Thanks for purchasing the WEN Air Compressor. We know you are excited to put your tool to work, but first, please take a moment to read through the manual. Safe operation of this tool requires that you read and understand this operator's manual and all the labels affixed to the tool. This manual provides information regarding potential safety concerns, as well as helpful assembly and operating instructions for your tool.

 Indicates danger, warning, or caution. The safety symbols and the explanations with them deserve your careful attention and understanding. Always follow the safety precautions to reduce the risk of fire, electric shock or personal injury. However, please note that these instructions and warnings are not substitutes for proper accident prevention measures.

NOTE: The following safety information is not meant to cover all possible conditions and situations that may occur. WEN reserves the right to change this product and specifications at any time without prior notice.

At WEN, we are continuously improving our products. If you find that your tool does not exactly match this manual, please visit wenproducts.com for the most up-to-date manual or contact our customer service at **1-847-429-9263**.

Keep this manual available to all users during the entire life of the tool and review it frequently to maximize safety for both yourself and others.

SPECIFICATIONS

Model Number	AP6092
Motor	120V, 60 Hz, 11.5A
Maximum Air Pressure	150 PSI
Air Outlet Size	1/4 in. NPT
Air Tank Capacity	6 Gallons
Air Flow Capacity	3.6 CFM at 40 PSI
	2.6 CFM at 90 PSI
Sound Level	86 dB
Approximate Cut-In Pressure	120 PSIG
Approximate Cut-Out Pressure	150 PSIG
Product Weight	31 Pounds
Product Dimensions	17.13 in. x 15.94 in. x 18.82 in.

GENERAL SAFETY RULES

 **WARNING!** Read all safety warnings and all instructions. Failure to follow the warnings and instructions may result in electric shock, fire and/or serious injury.

Safety is a combination of common sense, staying alert and knowing how your item works. The term “power tool” in the warnings refers to your mains-operated (corded) power tool or battery-operated (cordless) power tool.

SAVE THESE SAFETY INSTRUCTIONS.

WORK AREA SAFETY

- 1. Keep work area clean and well lit.** Cluttered or dark areas invite accidents.
- 2. Do not operate power tools in explosive atmospheres, such as in the presence of flammable liquids, gases or dust.** Power tools create sparks which may ignite the dust or fumes.
- 3. Keep children and bystanders away while operating a power tool.** Distractions can cause you to lose control.

ELECTRICAL SAFETY

- 1. Power tool plugs must match the outlet. Never modify the plug in any way. Do not use any adapter plugs with earthed (grounded) power tools.** Unmodified plugs and matching outlets will reduce risk of electric shock.
- 2. Avoid body contact with earthed or grounded surfaces such as pipes, radiators, ranges and refrigerators.** There is an increased risk of electric shock if your body is earthed or grounded.
- 3. Do not expose power tools to rain or wet conditions.** Water entering a power tool will increase the risk of electric shock.
- 4. Do not abuse the cord. Never use the cord for carrying, pulling or unplugging the power tool. Keep cord away from heat, oil, sharp edges or moving parts.** Damaged or entangled cords increase the risk of electric shock.
- 5. When operating a power tool outdoors, use an extension cord suitable for outdoor use.** Use of a cord suitable for outdoor use reduces the risk of electric shock.

6. If operating a power tool in a damp location is unavoidable, use a ground fault circuit interrupter (GFCI) protected supply. Use of a GFCI reduces the risk of electric shock.

PERSONAL SAFETY

- 1. Stay alert, watch what you are doing and use common sense when operating a power tool. Do not use a power tool while you are tired or under the influence of drugs, alcohol or medication.** A moment of inattention while operating power tools may result in serious personal injury.
- 2. Use personal protective equipment. Always wear eye protection.** Protective equipment such as a respiratory mask, non-skid safety shoes and hearing protection used for appropriate conditions will reduce the risk of personal injury.
- 3. Prevent unintentional starting. Ensure the switch is in the off-position before connecting to power source and/or battery pack, picking up or carrying the tool.** Carrying power tools with your finger on the switch or energizing power tools that have the switch on invites accidents.
- 4. Remove any adjusting key or wrench before turning the power tool on.** A wrench or a key left attached to a rotating part of the power tool may result in personal injury.
- 5. Do not overreach. Keep proper footing and balance at all times.** This enables better control of the power tool in unexpected situations.
- 6. Dress properly. Do not wear loose clothing or jewelry. Keep your hair and clothing away from moving parts.** Loose clothes, jewelry or long hair can be caught in moving parts.

GENERAL SAFETY RULES

 **WARNING!** Read all safety warnings and all instructions. Failure to follow the warnings and instructions may result in electric shock, fire and/or serious injury.

Safety is a combination of common sense, staying alert and knowing how your item works. The term “power tool” in the warnings refers to your mains-operated (corded) power tool or battery-operated (cordless) power tool.

SAVE THESE SAFETY INSTRUCTIONS.

7. If devices are provided for the connection of dust extraction and collection facilities, ensure these are connected and properly used. Use of dust collection can reduce dust-related hazards.

POWER TOOL USE AND CARE

1. Do not force the power tool. Use the correct power tool for your application. The correct power tool will do the job better and safer at the rate for which it was designed.

2. Do not use the power tool if the switch does not turn it on and off. Any power tool that cannot be controlled with the switch is dangerous and must be repaired.

3. Disconnect the plug from the power source and/or the battery pack from the power tool before making any adjustments, changing accessories, or storing power tools. Such preventive safety measures reduce the risk of starting the power tool accidentally.

4. Store idle power tools out of the reach of children and do not allow persons unfamiliar with the power tool or these instructions to operate the power tool. Power tools are dangerous in the hands of untrained users.

5. Maintain power tools. Check for misalignment or binding of moving parts, breakage of parts and any other condition that may affect the power tool's operation. If damaged, have the power tool repaired before use. Many accidents are caused by poorly maintained power tools.

6. Keep cutting tools sharp and clean. Properly maintained cutting tools with sharp cutting edges are less likely to bind and are easier to control.

7. Use the power tool, accessories and tool bits, etc. in accordance with these instructions, taking into account the working conditions and the work to be performed. Use of the power tool for operations different from those intended could result in a hazardous situation.

8. Use clamps to secure your workpiece to a stable surface. Holding a workpiece by hand or using your body to support it may lead to loss of control.

9. KEEP GUARDS IN PLACE and in working order.

SERVICE

1. Have your power tool serviced by a qualified repair person using only identical replacement parts. This will ensure that the safety of the power tool is maintained.


CALIFORNIA PROPOSITION 65 WARNING

Some dust created by power sanding, sawing, grinding, drilling, and other construction activities may contain chemicals, including lead, known to the State of California to cause cancer, birth defects, or other reproductive harm. Wash hands after handling. Some examples of these chemicals are:

- Lead from lead-based paints.
- Crystalline silica from bricks, cement, and other masonry products.
- Arsenic and chromium from chemically treated lumber.

Your risk from these exposures varies depending on how often you do this type of work. To reduce your exposure to these chemicals, work in a well-ventilated area with approved safety equipment such as dust masks specially designed to filter out microscopic particles.

AIR COMPRESSOR SAFETY WARNINGS

 **WARNING!** Do not let comfort or familiarity with the product replace strict adherence to product safety rules. Failure to follow the safety instructions may result in serious personal injury.

AIR COMPRESSOR SAFETY

Work Area Safety

1. Keep your work area clean and well lit.
2. Do not operate the compressor in explosive atmospheres, such as in the presence of flammable liquids, gases, or dust.
3. The air compressor motor may produce sparks which may ignite dust or fumes.
4. Keep children and bystanders away from an operating air compressor.

Electrical Safety

1. The air compressor plugs must match the outlet. Never modify the plug in any way. Do not use any adapter plugs with grounded compressors. Standard plugs and matching outlets will reduce the risk of electric shock.
2. Do not expose the air compressor to rain or wet conditions. Water entering an air compressor will increase the risk of electric shock.
3. Do not abuse the cord. Never use the cord for unplugging the compressor. Keep the cord away from heat, oil, sharp edges, and moving parts. Damaged or entangled cords increase the risk of electric shock.

Electrical Safety

1. Stay alert, watch what you are doing and use common sense when operating this compressor. Do not use this compressor while you are tired or under the influence of drugs, alcohol, or medication. A moment of inattention while operating a compressor may result in serious personal injury.
2. Use personal protective equipment. Always wear ANSI-approved eye protection during setup and use.
3. Prevent unintentional starting. Ensure the switch is in the OFF position before connecting the air compressor to the power source or moving the compressor.

Compressor Use and Care

1. Do not use the air compressor if the power switch is not operational.
2. Disconnect the plug from the power source before making any adjustments, changing accessories, or storing the compressor. Such preventive safety measures reduce the risk of accidental start-ups.
3. Store an idle air compressor out of the reach of children and do not allow persons unfamiliar with the air compressor or these instructions to operate it. An air compressor is dangerous in the hands of untrained users.
4. Maintain the air compressor. Keep the air compressor clean for better and safer performance. Follow instructions for lubricating and changing accessories.
5. Keep dry, clean, and free from oil and grease. Check for misalignment or binding of moving parts, breakage of parts, and any other condition that may affect the compressor's operation. If damaged, have the compressor repaired before use. Many accidents are caused by a poorly maintained compressor.
6. Use the compressor in accordance with these instructions. Use of the air compressor for operations different from those intended could result in a hazardous situation.

Service

1. Have your compressor serviced by a qualified repair technician using only identical replacement parts. This will ensure that the safety of the compressor is maintained.

These safety instructions can't possibly warn of every scenario that may arise with this tool, so always make sure to stay alert and use common sense during operation.

ELECTRICAL INFORMATION

GROUNDING INSTRUCTIONS

In the event of a malfunction or breakdown, grounding provides the path of least resistance for an electric current and reduces the risk of electric shock. This tool is equipped with an electric cord that has an equipment grounding conductor and a grounding plug. The plug **MUST** be plugged into a matching outlet that is properly installed and grounded in accordance with ALL local codes and ordinances.

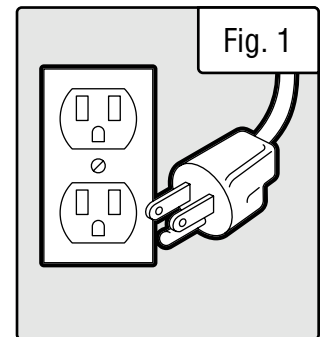
1. Do not modify the plug provided. If it will not fit the outlet, have the proper outlet installed by a licensed electrician.

2. Improper connection of the equipment grounding conductor can result in electric shock. The conductor with the green insulation (with or without yellow stripes) is the equipment grounding conductor. If repair or replacement of the electric cord or plug is necessary, **DO NOT** connect the equipment grounding conductor to a live terminal.

3. Check with a licensed electrician or service personnel if you do not completely understand the grounding instructions or whether the tool is properly grounded.

4. Use only three-wire extension cords that have three-pronged plugs and outlets that accept the tool's plug. Repair or replace a damaged or worn cord immediately.

CAUTION! In all cases, make certain the outlet in question is properly grounded. If you are not sure, have a licensed electrician check the outlet.



GUIDELINES AND RECOMMENDATIONS FOR EXTENSION CORDS

When using an extension cord, be sure to use one heavy enough to carry the current your product will draw. An undersized cord will cause a drop in line voltage resulting in loss of power and overheating. The table below shows the correct size to be used according to cord length and ampere rating. When in doubt, use a heavier cord. The smaller the gauge number, the heavier the cord.

AMPERAGE	REQUIRED GAUGE FOR EXTENSION CORDS			
	25 ft.	50 ft.	100 ft.	150 ft.
11.5A	16 gauge	16 gauge	14 gauge	12 gauge

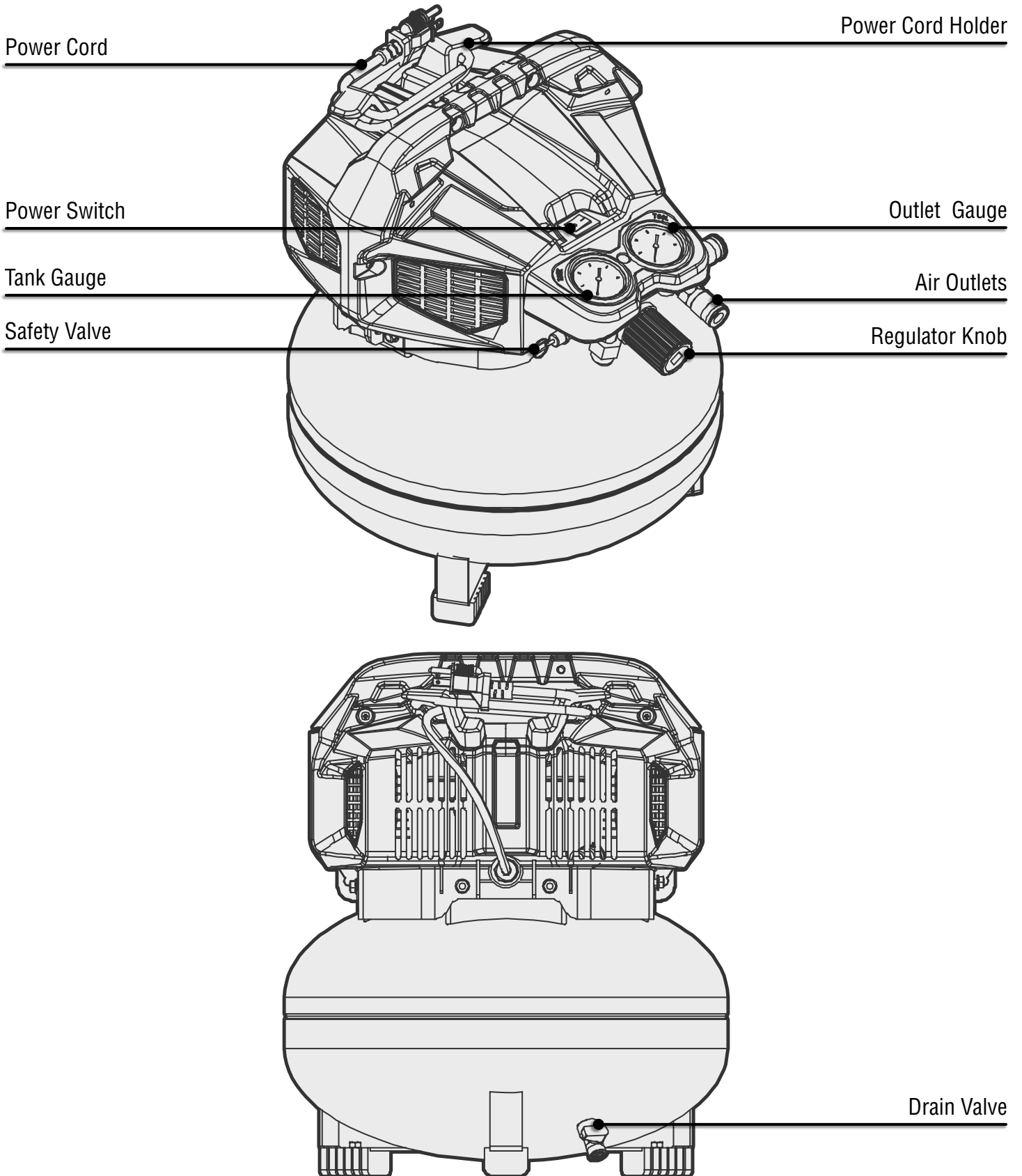
1. Examine extension cord before use. Make sure your extension cord is properly wired and in good condition. Always replace a damaged extension cord or have it repaired by a qualified person before using it.

2. Do not abuse extension cord. Do not pull on cord to disconnect from receptacle; always disconnect by pulling on plug. Disconnect the extension cord from the receptacle before disconnecting the product from the extension cord. Protect your extension cords from sharp objects, excessive heat and damp/wet areas.

3. Use a separate electrical circuit for your tool. This circuit must not be less than a 12-gauge wire and should have a 25A fuse or higher. Before connecting the motor to the power line, make sure the switch is in the OFF position and the electric current is rated the same as the current stamped on the motor nameplate. Running at a lower voltage will damage the motor.

KNOW YOUR AIR COMPRESSOR

Refer to the following diagram to become familiarized with all the parts and controls of your air compressor. The components will be referred to later in the manual for assembly and operation instructions.

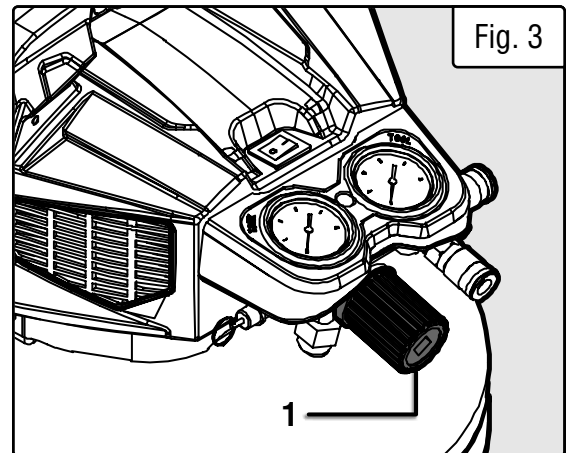
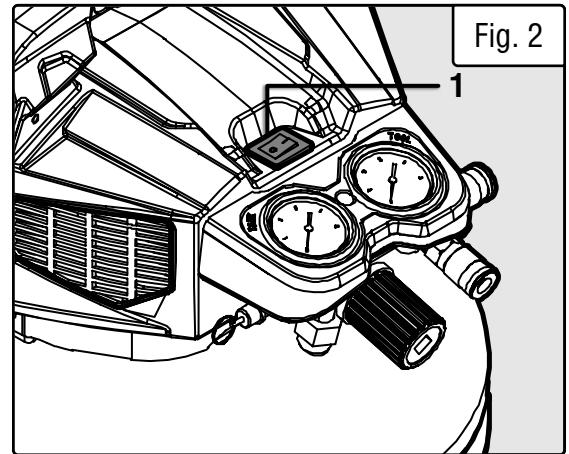


ASSEMBLY & ADJUSTMENTS

⚠ WARNING! To avoid injury from accidental startups, be sure that the tool is switched OFF and disconnected from the power supply before inspecting the unit, making adjustments, or changing accessories.

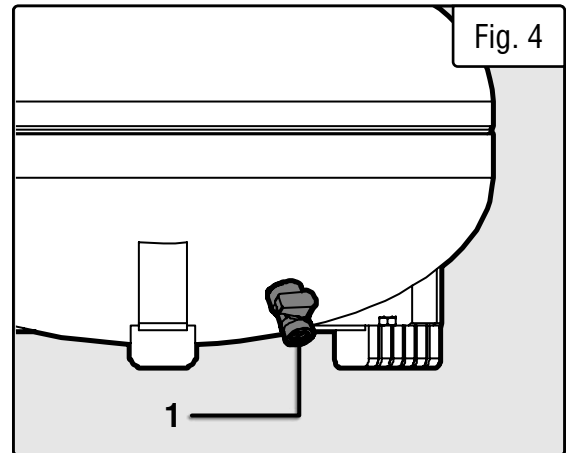
BREAKING IN THE AIR COMPRESSOR

1. Turn the power switch (Fig. 2 - 1) to the OFF position and unplug the power cord (Fig. 2 - 2).
2. Turn the regulator knob (Fig. 3 - 1) to the “+” position to fully open the pressure regulator valve.
3. Fully open the drain valve (Fig. 4 - 1).
4. Plug in the power cord and turn the power switch to the ON position.
6. Let the unit run for 15 minutes. Air will expel freely through the drain valve.
7. Turn the power switch to the OFF position, unplug the power cord, and close the drain valve.



WORK AREA SETUP

1. Designate a work area that is clean and well-lit. Make sure that the air compressor is out of the reach of children.
2. Place the air compressor on a flat, level surface to prevent damage to the unit. Keep at least 12” of space around the unit to allow for air circulation.
3. Route the power cord from the air compressor to a grounded wall outlet, along a safe path without creating a tripping hazard or exposing the power cord to possible damage.



AIR CONNECTION SETUP

1. Connect a 1/4” air hose with industrial (T-Style) or automotive (M-Style) plug (both sold separately) to the air outlet. The air hose must be long enough to reach the work area with enough extra length to allow free movement while working.
2. Consult your pneumatic tool’s user manual for needed accessories.

BEFORE EACH USE

Inspect the general condition of the air compressor before each use. Check for:

1. Loose hardware
2. Misalignment or binding of moving parts
3. Cracked or broken parts
4. Damaged electrical wiring
5. Any other condition that may affect its safe operation

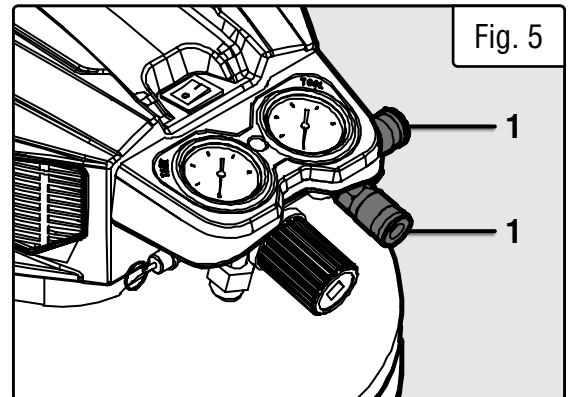
OPERATION

⚠ WARNING! Read the entire important safety information section at the beginning of this manual including all text under subheadings therein before set up or use of this product.

- To prevent serious injury and death from explosion, do not adjust the internal pressure switch.
- Any change to the automatic pressure levels may cause excess pressure to accumulate, causing a hazardous situation.
- Do not use damaged equipment. If abnormal noises or vibrations occur, have the problem corrected before further use.

OPERATING THE AIR COMPRESSOR

1. Make sure that the power switch is turned to the OFF position before making any adjustments.
2. Close the drain valve.
3. Turn the regulator knob to the “-” position to close the pressure regulator valve.
4. Plug the power cord into a grounded 120V AC electrical outlet.
5. Turn the power switch to the ON position.
6. Allow the air compressor to build up pressure until it cycles off.



NOTE: When using the air compressor for the first time, check for air leaks by applying soapy water to connection points while the air compressor is pumping and after pressure cut-out. Look for air bubbles. If air bubbles are present at connection points, tighten the connections. Do not use the air compressor unless all connections are air tight. The extra air leaking out will cause the air compressor to operate too often, increasing wear on the air compressor.

NOTE: As long as the power switch is ON, the operation of the air compressor is automatic, controlled by an internal pressure switch. The air compressor will turn ON automatically when the air pressure drops to 120 PSI, and will turn OFF automatically when the air pressure reaches 150 PSI.

7. Make sure the pneumatic tool's throttle or switch is in the OFF position. Connect the air hose to the air outlet (Fig. 5 - 1) and connect the air tool to the air hose.

NOTE: There are two air outlets that can be used simultaneously.

8. Turn the regulator knob clockwise to increase the pressure and counter-clockwise to decrease pressure. Adjust the pressure gradually, while checking the outlet pressure gauge to set the pressure.
9. Once operation has completed, turn the power switch to the OFF position and unplug the air compressor.
10. Bleed air from the pneumatic tool and then disconnect it from the air compressor.
11. Drain the tank according to the “DRAINING MOISTURE FROM AIR TANK” section on page 12.
12. Clean and then store the air compressor indoors, in the upright position, and out of the reach of children.

OPERATION

EMERGENCY DEPRESSURIZATION

If it is necessary to quickly depressurize the air compressor, turn the power switch to the OFF position and pull on the ring on the safety valve (Fig. 6 - 1) to quickly release stored air pressure.

AUTOMATIC SHUT OFF SYSTEM

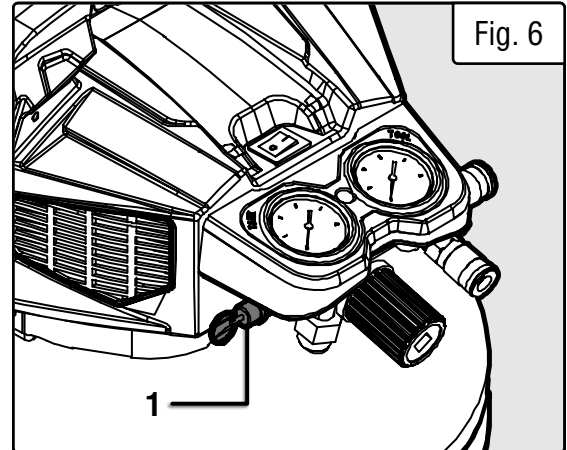
1. If the air compressor automatically shuts off before reaching its normal cutoff pressure:

- a. Shut OFF all tools.
- b. Turn the air compressor power switch to the OFF position.
- c. Unplug the air compressor.
- d. Wait until the air compressor cools down (about 10 minutes).
- e. Plug the air compressor back in.
- f. Turn the air compressor power switch to the ON position.
- g. Resume operation.

2. Possible causes of repeated automatic shut off of the air compressor are:

- a. Using an extension cord that is too long or narrow.
- b. An air leak or an open hose causing the air compressor to cycle too often and build up heat.
- c. Turning the air compressor ON and OFF too quickly.

3. Correct any issues before further use to avoid damage to the air compressor.



MAINTENANCE

⚠ WARNING! To avoid injury from accidental startups, be sure that the tool is switched OFF and disconnected from the power supply before inspecting the unit, making adjustments, changing accessories, or performing any maintenance.

AFTER EACH USE

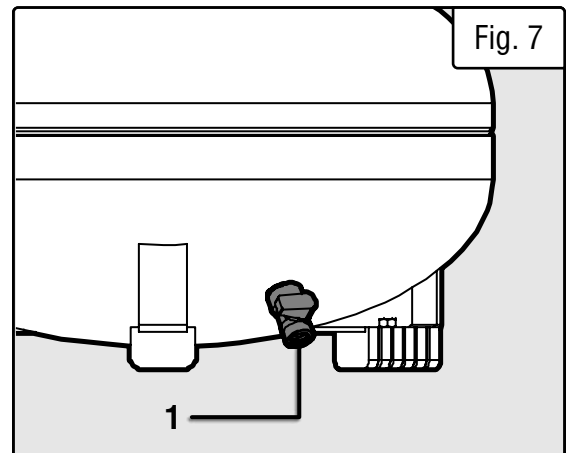
Wipe all external surfaces of the air compressor with a clean cloth. Store the compressor indoors, in the upright position, and out of the reach of children.

MAINTENANCE INTERVAL	MAINTENANCE POINT
Every Use	<ol style="list-style-type: none">1. Make sure all nuts and bolts are tight.2. Drain moisture from air tank.3. Check for abnormal noises or vibrations.4. Check for air leaks. To check for air leaks, apply soapy water to joints while the air compressor is pressurized. Look for air bubbles.5. Wipe off any oil or dirt from the air compressor.
Monthly	<ol style="list-style-type: none">1. Inspect the safety valve.

DRAINING MOISTURE FROM AIR TANK

The drain valve (Fig. 7 - 1) is located under the tank. It must be used every use to release all trapped air and moisture from the tank. Doing this will eliminate condensation and prevent tank corrosion.

1. Turn the power switch to the OFF position.
2. Unplug the air compressor.
3. Tilt the compressor and turn the drain valve to open it.
4. Once all pressure and moisture has been released, close the drain valve.



TESTING FOR LEAKS

Make sure all connections are tight and secure before testing for leaks. A small leak in any hoses or connectors will greatly reduce the abilities of the compressor. To locate a leak, simply spray a mixture of soap and water across the entire surface of both the tank and the hose (wherever the leak is believed to be). Bubbles will begin to appear if a leak is indeed present. Fix immediately. Try to avoid getting soapy water near any of the inlets on the tank or the pump.

STORAGE

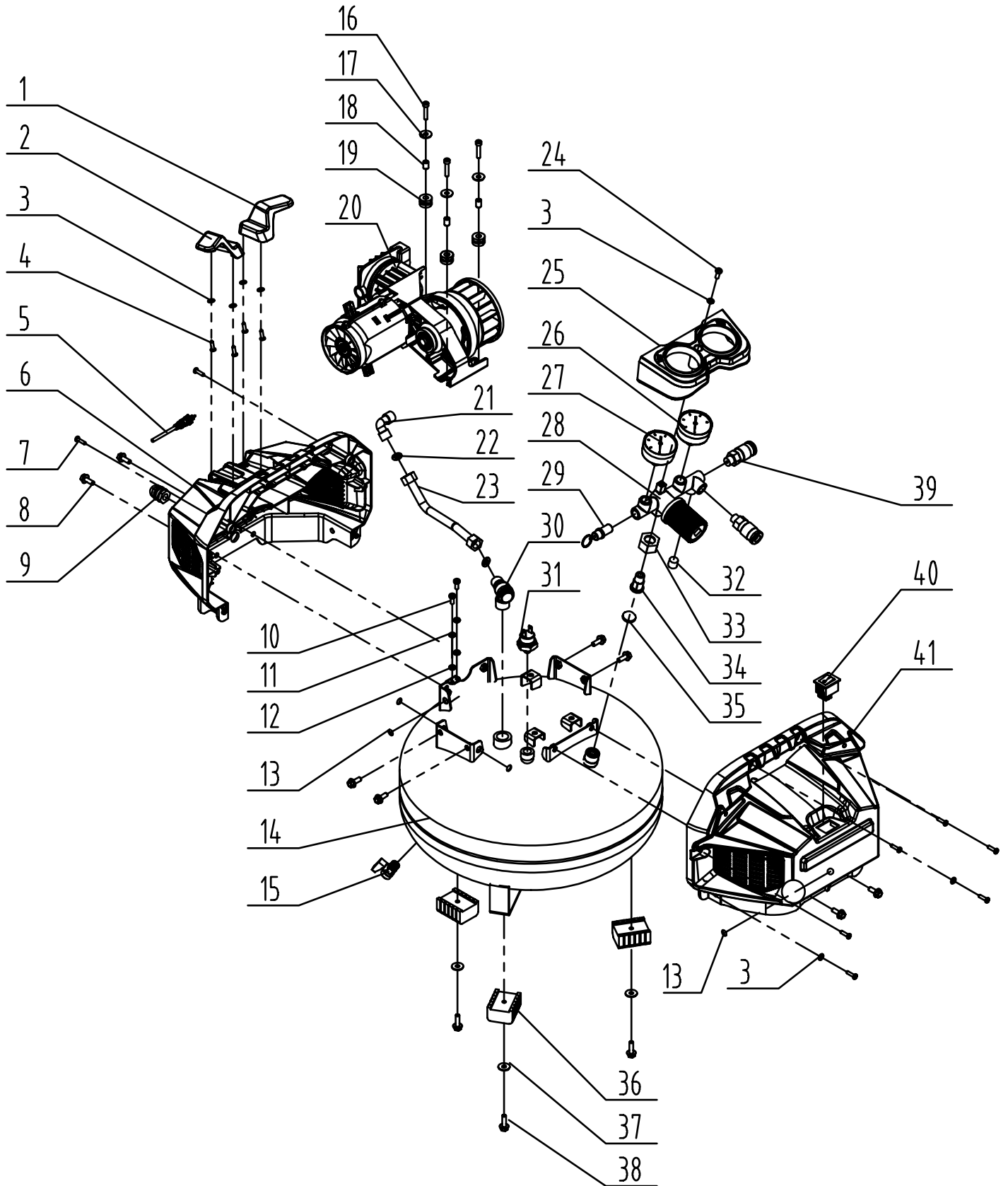
Before storing the compressor, drain the tank by opening the tank drain valve on the underside of the compressor. This will drain the compressor to prevent moisture from collecting and rusting the inside of the tank. Pulling on the air release valve located next to the tank pressure gauge will quickly empty out the tank. Do not store in cold climates, as cold climates may create problems with the motor while possibly freezing water condensation.

TROUBLESHOOTING GUIDE

⚠ WARNING! Stop using the air compressor immediately if any of the following problems occur or risk serious personal injury. If you have any questions, please contact customer service at **1-847-429-9263** (M-F 8-5 CST), or email techsupport@wenproducts.com.

PROBLEM	POSSIBLE CAUSE	SOLUTION
Compressor does not start or restart.	1. Power cord not plugged in properly.	1. Check that cord is plugged in securely.
	2. Incorrect power supply.	2. Check that the circuit matches the air compressor requirements.
	3. Thermal overload switch tripped.	3. Turn OFF the air compressor and unplug it from the power source. Wait for the air compressor to cool down. Resume operation.
	4. Cord wire size is too small or cord is too long to properly power compressor.	4. Use larger diameter or shorter extension cord or eliminate extension cord. See page 7 for extension cord recommendations.
	5. Compressor needs service.	5. Have the unit inspected by a qualified technician.
Compressor builds pressure too slowly.	1. Incorrect power supply.	1. Check that the circuit matches the air compressor requirements.
	2. Work environment is too cold.	2. Move the air compressor to a warmer location.
	3. Safety valve is leaking.	3. Listen for air leaking from the safety valve. If leaking, replace with identical valve with the same rating. Do not seal or tamper with safety valve.
	4. Loose fittings.	4. Reduce air pressure. With a soapy solution, check all fittings for air leaks and tighten as needed. Do not overtighten.
Compressor not building enough air pressure.	1. Check valve needs service.	1. Have a service technician clean or replace as needed.
	2. Compressor not large enough for the job.	2. Check if the accessory's CFM is met by the air compressor. If the air compressor cannot supply enough air flow (CFM), use a larger air compressor.
	3. Loose fittings.	3. Reduce air pressure. With a soapy solution, check all fittings for air leaks and tighten as needed. Do not overtighten.
	4. Hose or hose connections are too narrow.	4. Replace with a wider hose and / or hose connections.
	5. High altitude reducing air output.	5. Higher altitudes require air compressors with greater output.
Overheating	1. Extension cord use.	1. Remove the extension cord.
Compressor starts and stops excessively.	1. Loose fittings.	1. Reduce air pressure. With a soapy solution, check all fittings for air leaks and tighten as needed. Do not overtighten.
	2. Compressor not large enough for the job.	2. Check if the accessory's CFM is met by the air compressor. If the air compressor cannot supply enough air flow (CFM), use a larger air compressor.
Excessive noise.	1. Loose fittings.	1. Reduce air pressure. With a soapy solution, check all fittings for air leaks and tighten as needed. Do not overtighten.
Moisture in the discharged air.	1. Too much moisture in the air.	1. Install an inline air filter / dryer, and / or relocate to a less humid environment.
Safety Valve "pops".	1. Safety valve needs service.	1. Pull the ring on the safety valve. If it still pops, replace it.
Air leaks from the pump or fittings.	1. Loose fittings.	1. Reduce air pressure. With a soapy solution, check all fittings for air leaks and tighten as needed. Do not overtighten.
Air leaks from the tank.	1. Defective or rusted tank.	1. Have the tank replaced by a qualified technician. Drain moisture from tank every use to prevent future corrosion.

EXPLODED VIEW & PARTS LIST



EXPLODED VIEW & PARTS LIST

No.	Part No.	Description	Qty.	No.	Part No.	Description	Qty.
1	AP6092-001	Reel Bracket-I	1	21	AP6092-021	Elbow	1
2	AP6092-002	Reel Bracket-II	1	22	AP6092-022	Sealing ϕ 14.5x ϕ 8.5	2
3	AP6092-003	Flat Washer ϕ 5	7	23	AP6092-023	Inlet-tube	1
4	AP6092-004	Screw 4.2x13	4	24	AP6092-024	Bolt M5x12	1
5	AP6092-005	Power Cord	1	25	AP6092-025	Manifold shroud	1
6	AP6092-006	Rear Shroud	1	26	AP6092-026	Pressure Gauge	1
7	AP6092-007	Screw 4.2x19	8	27	AP6092-027	Pressure Gauge	1
8	AP6092-008	Bolt M6x16	8	28	AP6092-028	Regulator	1
9	AP6092-009	Power Cord Clamp	1	29	AP6092-029	Safety Valve	1
10	AP6092-010	Bolt M4x12	2	30	AP6092-030	Check Valve	1
11	AP6092-011	Flat Washer ϕ 4	2	31	AP6092-031	Pressure Switch	1
12	AP6092-012	Spacer ϕ 4	2	32	AP6092-032	End Cap	1
13	AP6092-013	Bushing	4	33	AP6092-033	Nut	1
14	AP6092-014	Tank Assembly	1	34	AP6092-034	Joint Conector	1
15	AP6092-015	Drain Valve	1	35	AP6092-035	O-ring ϕ 15.5x2	1
16	AP6092-016	Bolt M5x25	3	36	AP6092-036	Rubber Foot	3
17	AP6092-017	Flat Washer ϕ 5	3	37	AP6092-037	Flat Washer	3
18	AP6092-018	Bushing	3	38	AP6092-038	Bolt M6x20	3
19	AP6092-019	Cushion	3	39	AP6092-039	Quick Coupler	2
20	AP6092-020	Motor and Pump Assembly	1	40	AP6092-040	Power Switch	1
				41	AP6092-041	Front Shroud	1

NOTE: Not all parts may be available for purchase. Parts and accessories that wear down over the course of normal use are not covered under the warranty.

WARRANTY STATEMENT

WEN Products is committed to building tools that are dependable for years. Our warranties are consistent with this commitment and our dedication to quality.

LIMITED WARRANTY OF WEN PRODUCTS FOR HOME USE

GREAT LAKES TECHNOLOGIES, LLC (“Seller”) warrants to the original purchaser only, that all WEN consumer power tools will be free from defects in material or workmanship during personal use for a period of two (2) years from date of purchase or 500 hours of use; whichever comes first. Ninety days for all WEN products if the tool is used for professional or commercial use. Purchaser has 30 days from the date of purchase to report missing or damaged parts.

SELLER’S SOLE OBLIGATION AND YOUR EXCLUSIVE REMEDY under this Limited Warranty and, to the extent permitted by law, any warranty or condition implied by law, shall be the replacement of parts, without charge, which are defective in material or workmanship and which have not been subjected to misuse, alteration, careless handling, misrepair, abuse, neglect, normal wear and tear, improper maintenance, or other conditions adversely affecting the Product or the component of the Product, whether by accident or intentionally, by persons other than Seller. To make a claim under this Limited Warranty, you must make sure to keep a copy of your proof of purchase that clearly defines the Date of Purchase (month and year) and the Place of Purchase. Place of Purchase must be a direct vendor of Great Lakes Technologies, LLC. Purchasing through third party vendors, including but not limited to garage sales, pawn shops, resale shops, or any other secondhand merchant, voids the warranty included with this product. Contact techsupport@wenproducts.com or 1-847-429-9263 with the following information to make arrangements: your shipping address, phone number, serial number, required part numbers, and proof of purchase. Damaged or defective parts and products may need to be sent to WEN before the replacements can be shipped out.

Upon the confirmation of a WEN representative, your product may qualify for repairs and service work. When returning a product for warranty service, the shipping charges must be prepaid by the purchaser. The product must be shipped in its original container (or an equivalent), properly packed to withstand the hazards of shipment. The product must be fully insured with a copy of the proof of purchase enclosed. There must also be a description of the problem in order to help our repairs department diagnose and fix the issue. Repairs will be made and the product will be returned and shipped back to the purchaser at no charge for addresses within the contiguous United States.

THIS LIMITED WARRANTY DOES NOT APPLY TO ITEMS THAT WEAR OUT FROM REGULAR USAGE OVER TIME, INCLUDING BELTS, BRUSHES, BLADES, BATTERIES, ETC. ANY IMPLIED WARRANTIES SHALL BE LIMITED IN DURATION TO TWO (2) YEARS FROM DATE OF PURCHASE. SOME STATES IN THE U.S. AND SOME CANADIAN PROVINCES DO NOT ALLOW LIMITATIONS ON HOW LONG AN IMPLIED WARRANTY LASTS, SO THE ABOVE LIMITATION MAY NOT APPLY TO YOU.

IN NO EVENT SHALL SELLER BE LIABLE FOR ANY INCIDENTAL OR CONSEQUENTIAL DAMAGES (INCLUDING BUT NOT LIMITED TO LIABILITY FOR LOSS OF PROFITS) ARISING FROM THE SALE OR USE OF THIS PRODUCT. SOME STATES IN THE U.S. AND SOME CANADIAN PROVINCES DO NOT ALLOW THE EXCLUSION OR LIMITATION OF INCIDENTAL OR CONSEQUENTIAL DAMAGES, SO THE ABOVE LIMITATION OR EXCLUSION MAY NOT APPLY TO YOU.

THIS LIMITED WARRANTY GIVES YOU SPECIFIC LEGAL RIGHTS, AND YOU MAY ALSO HAVE OTHER RIGHTS WHICH VARY FROM STATE TO STATE IN THE U.S., PROVINCE TO PROVINCE IN CANADA AND FROM COUNTRY TO COUNTRY.

THIS LIMITED WARRANTY APPLIES ONLY TO ITEMS SOLD WITHIN THE UNITED STATES OF AMERICA, CANADA AND THE COMMONWEALTH OF PUERTO RICO. FOR WARRANTY COVERAGE WITHIN OTHER COUNTRIES, CONTACT THE WEN CUSTOMER SUPPORT LINE. FOR WARRANTY PARTS OR PRODUCTS REPAIRED UNDER WARRANTY SHIPPING TO ADDRESSES OUTSIDE OF THE CONTIGUOUS UNITED STATES, ADDITIONAL SHIPPING CHARGES MAY APPLY.