

A	10pcs	B	2pcs	C	12pcs

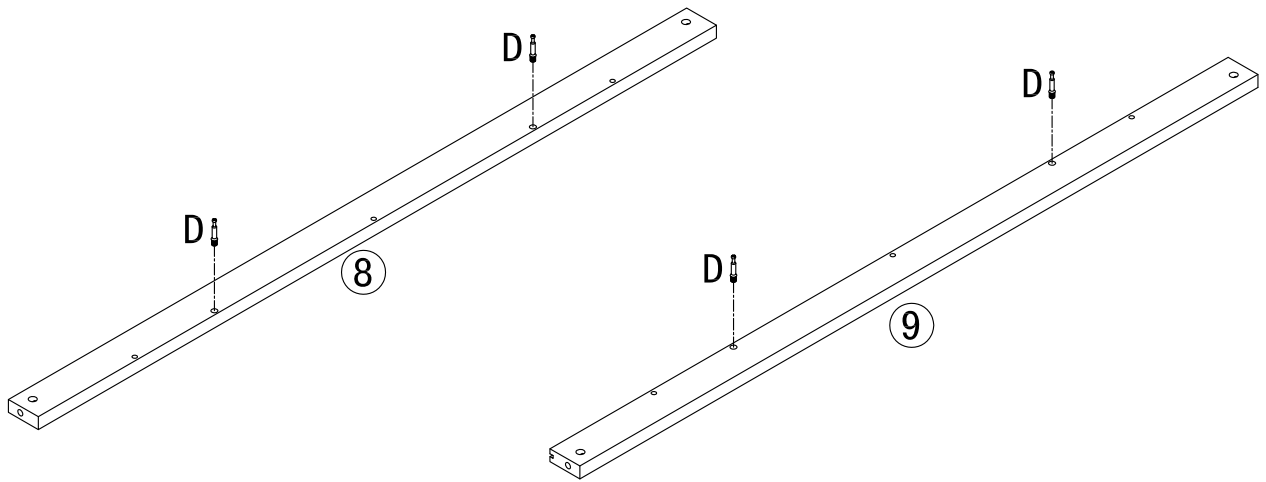
D	24pcs	E	24pcs	F	20pcs	G	6pcs	H	8pcs	I	10pcs

J	2pcs	K	4pcs	L	8pcs	M	8pcs	N	4pcs	O	57pcs

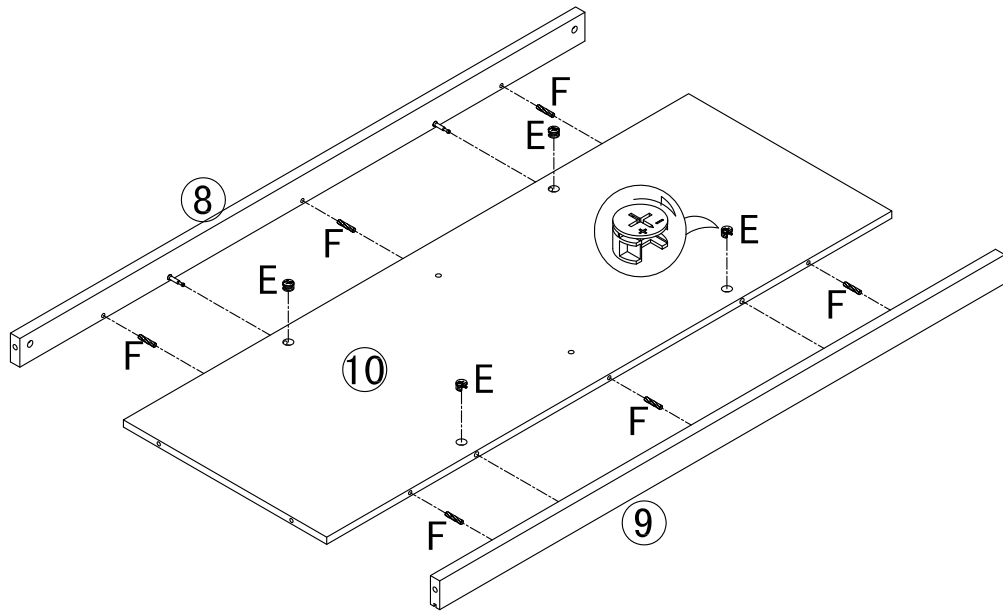
P	2pcs	Q	4pcs	R	8pcs	S	12pcs	T	12pcs	U	1pc

CL	2pcs	CR	2pcs	DL	2pcs	DR	2pcs	V	2pcs	W	2pcs

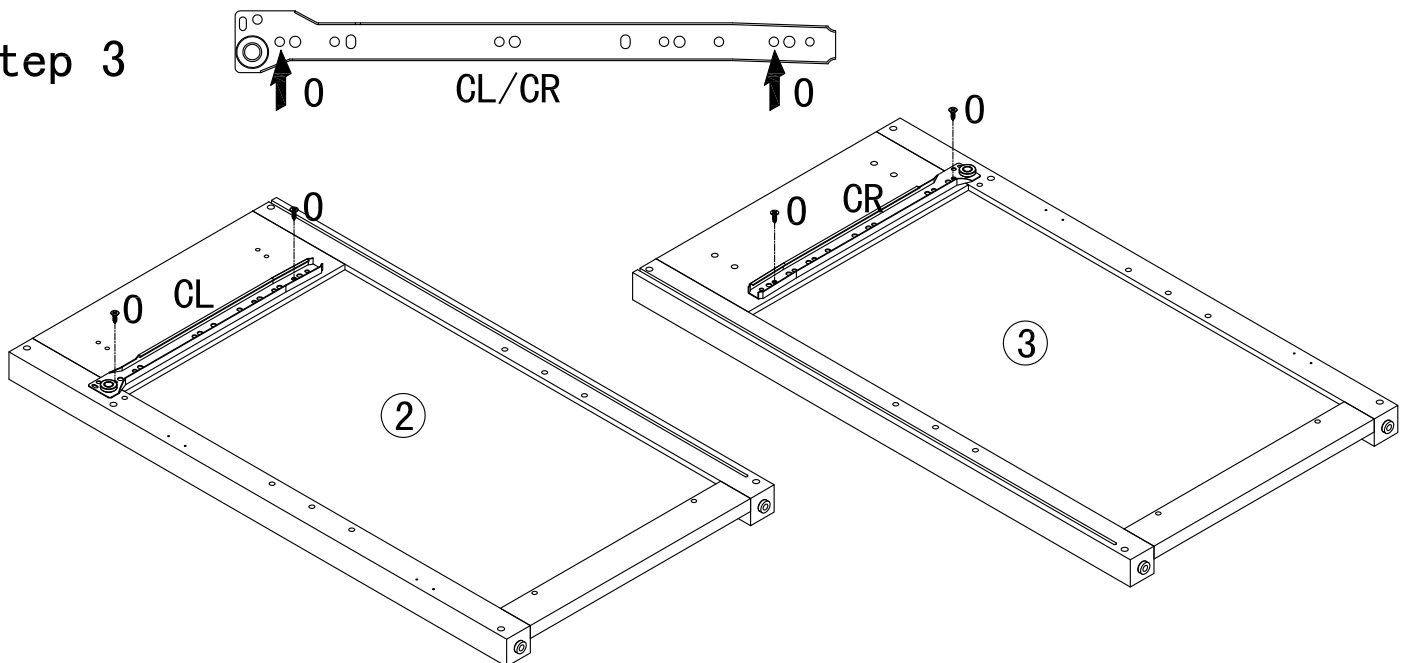
Step 1



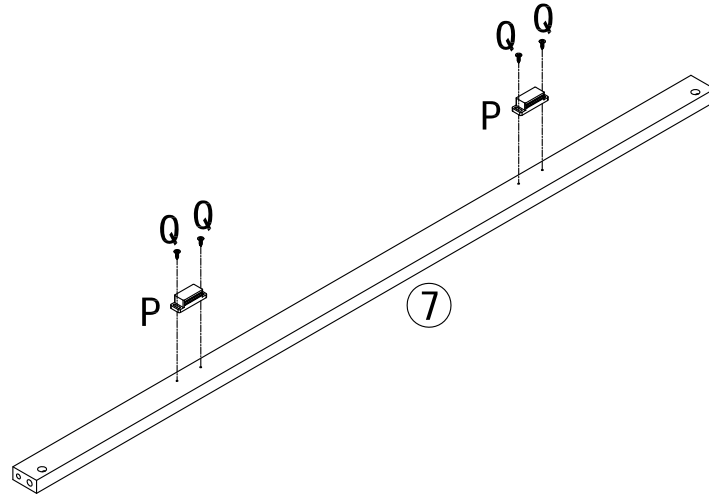
Step 2



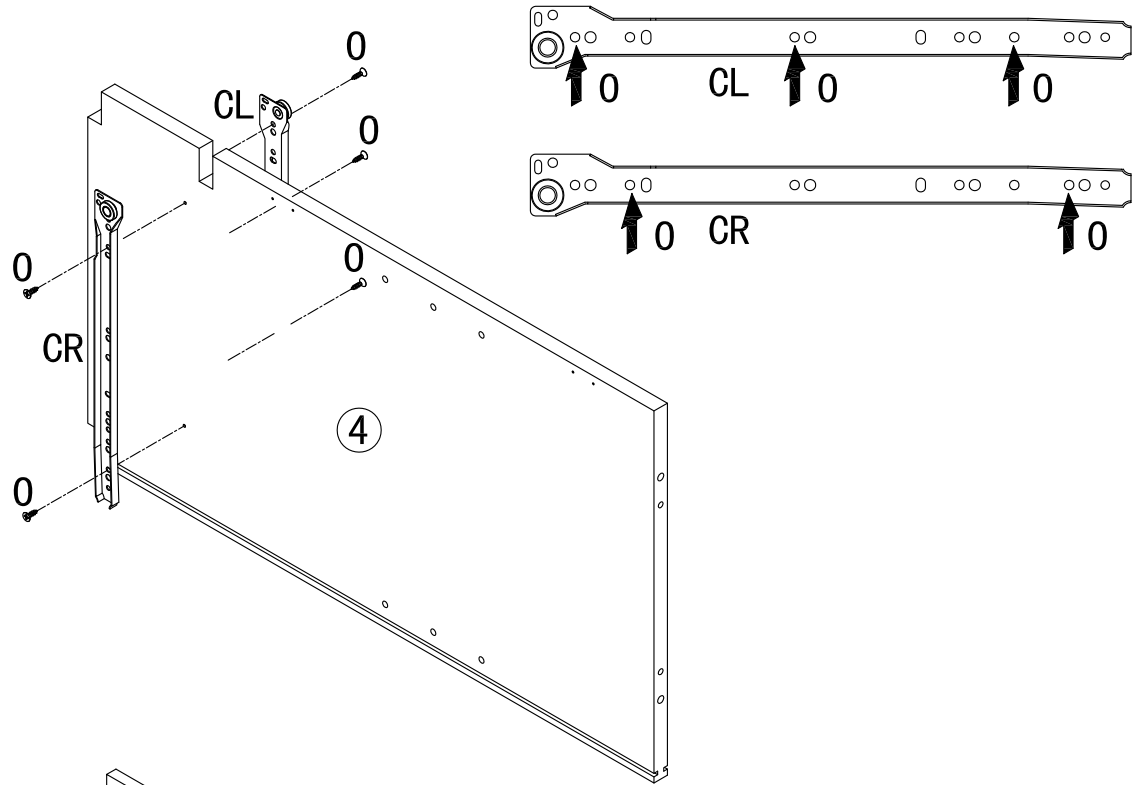
Step 3



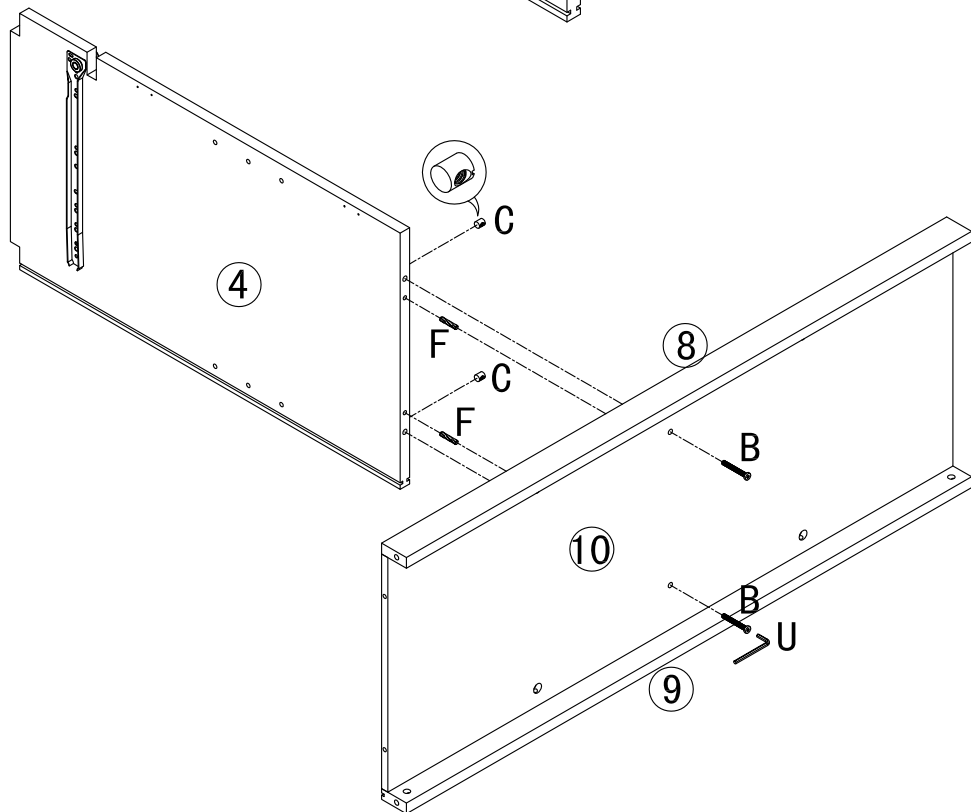
Step 4



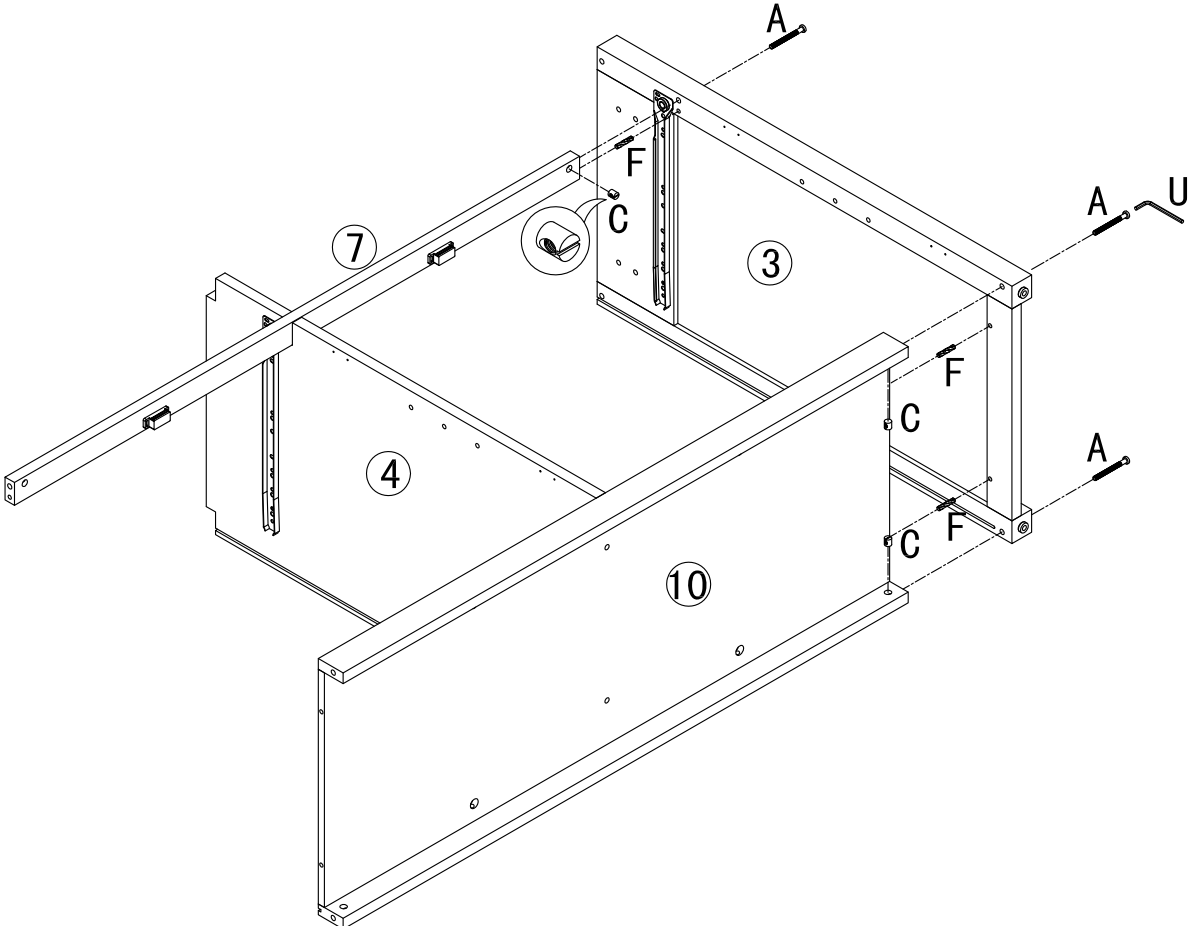
Step 5



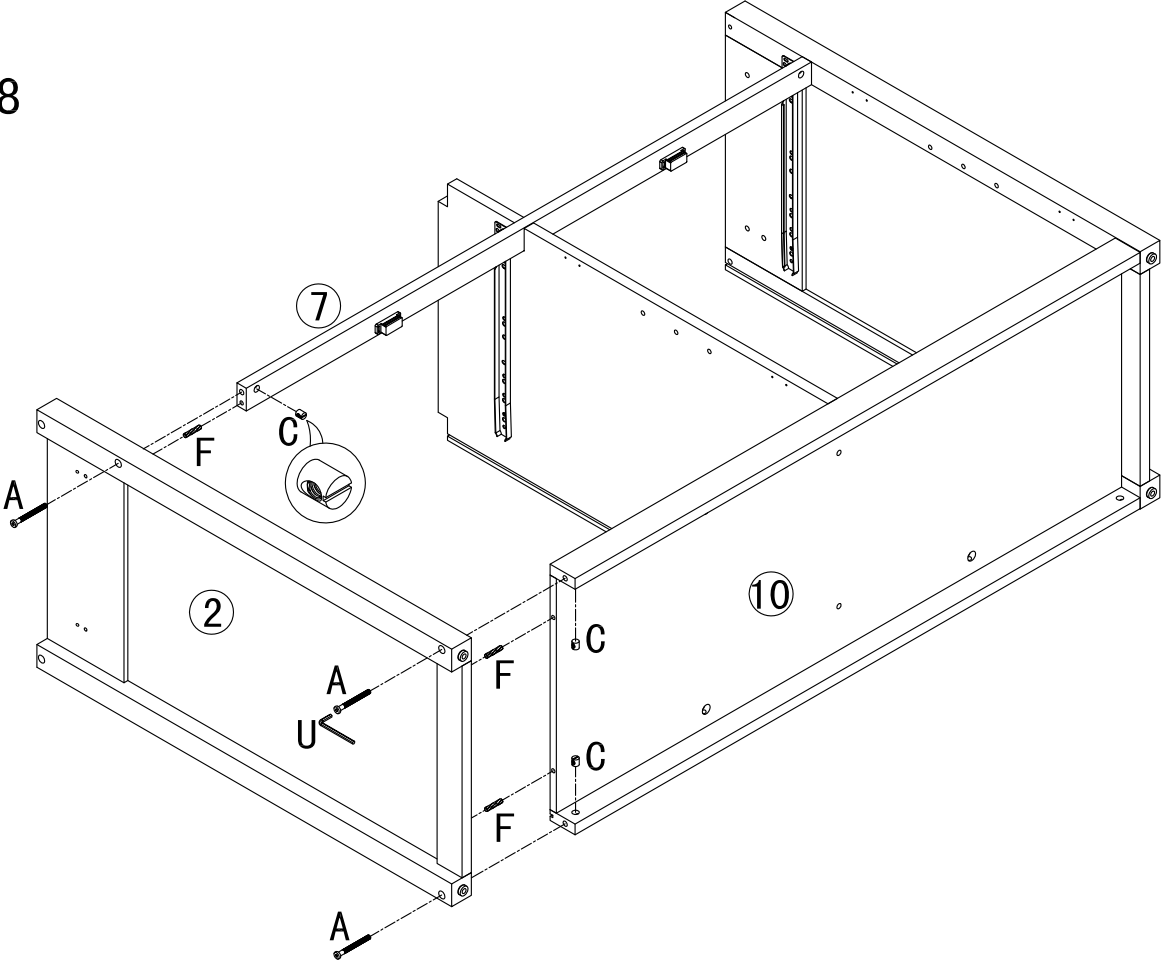
Step 6



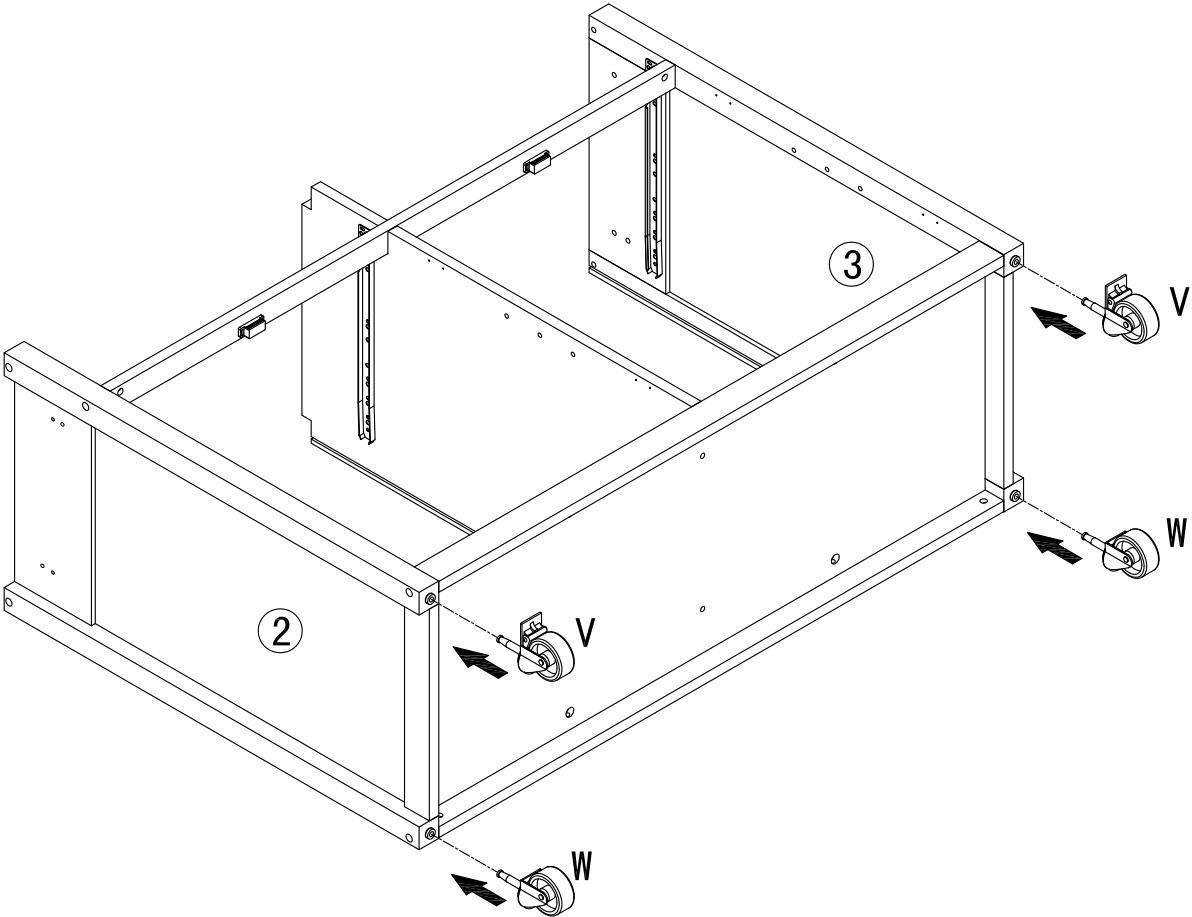
Step 7



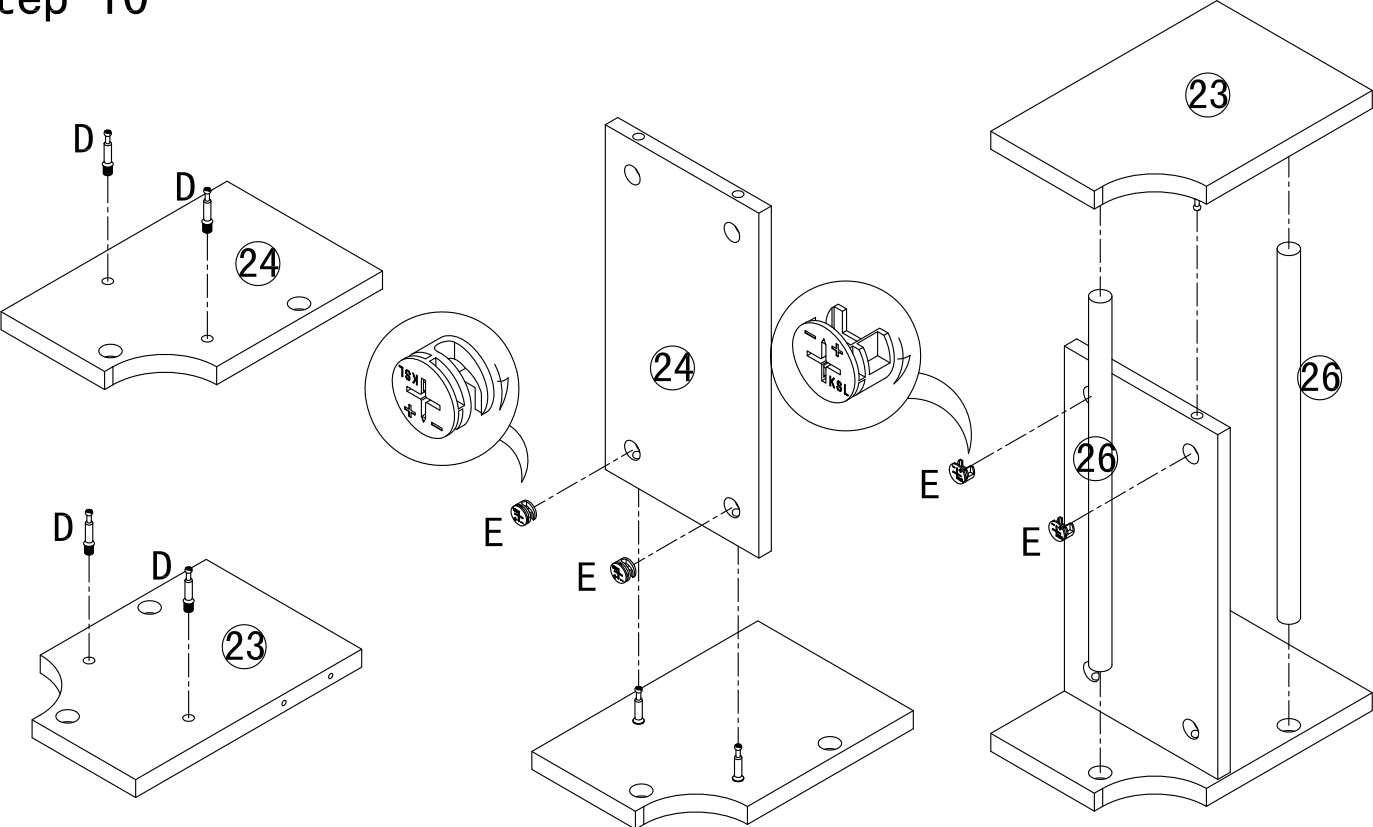
Step 8



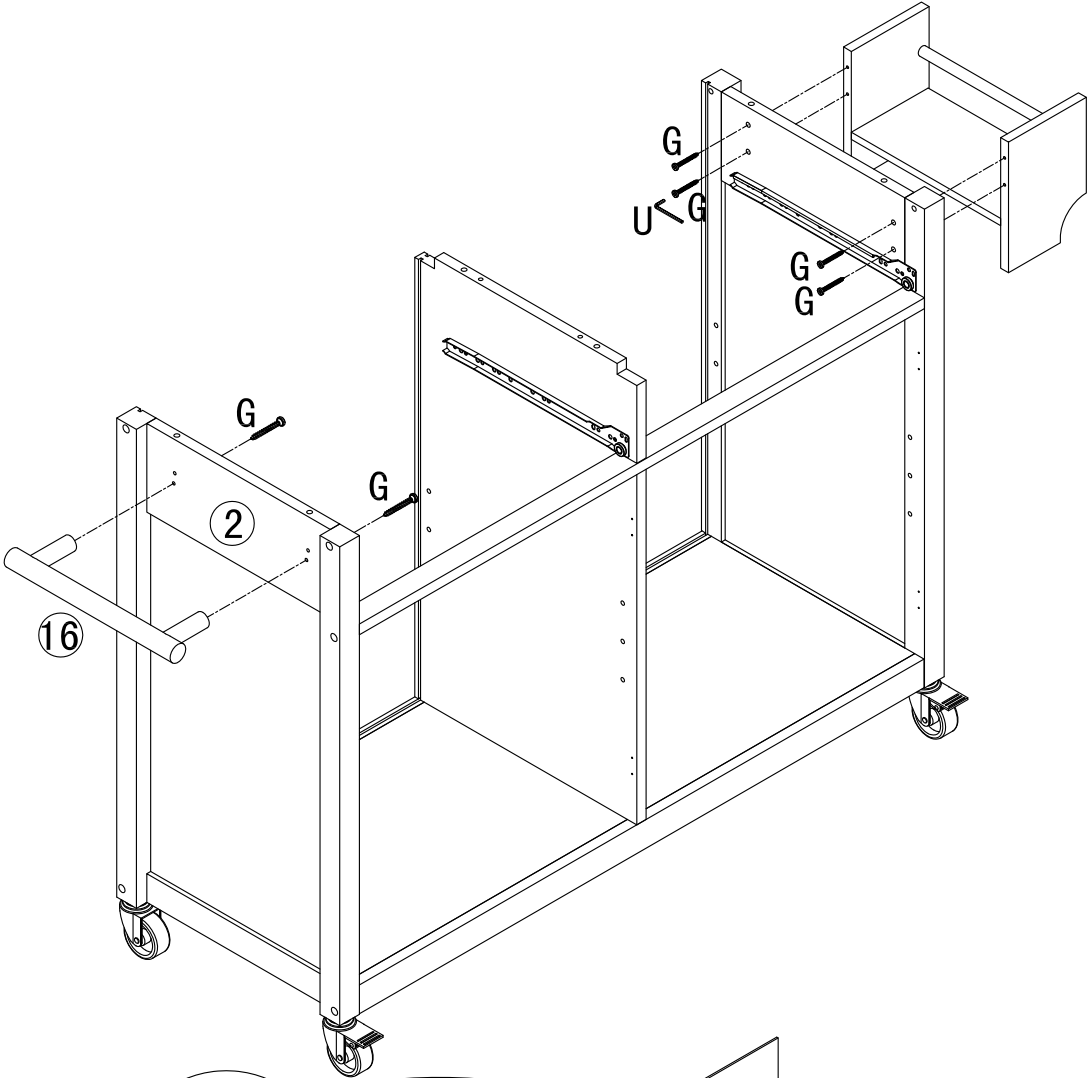
Step 9



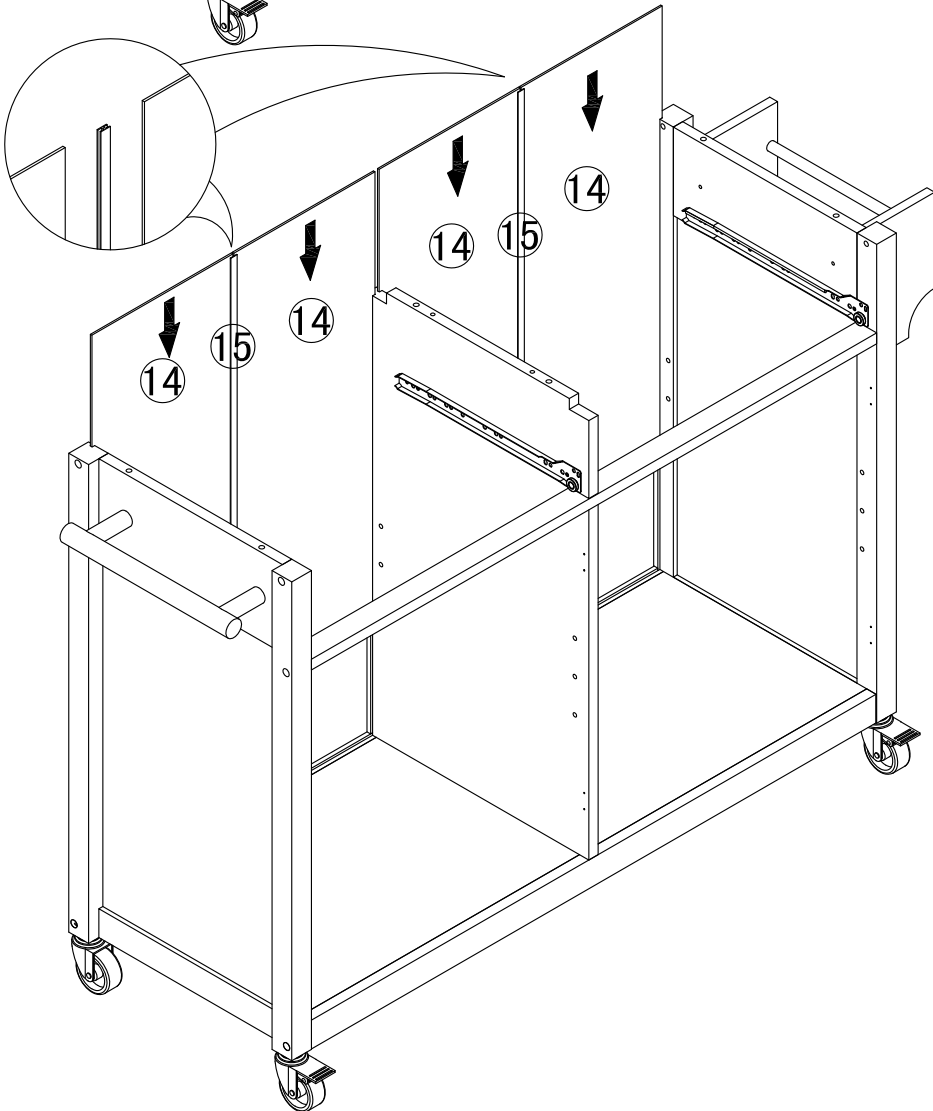
Step 10



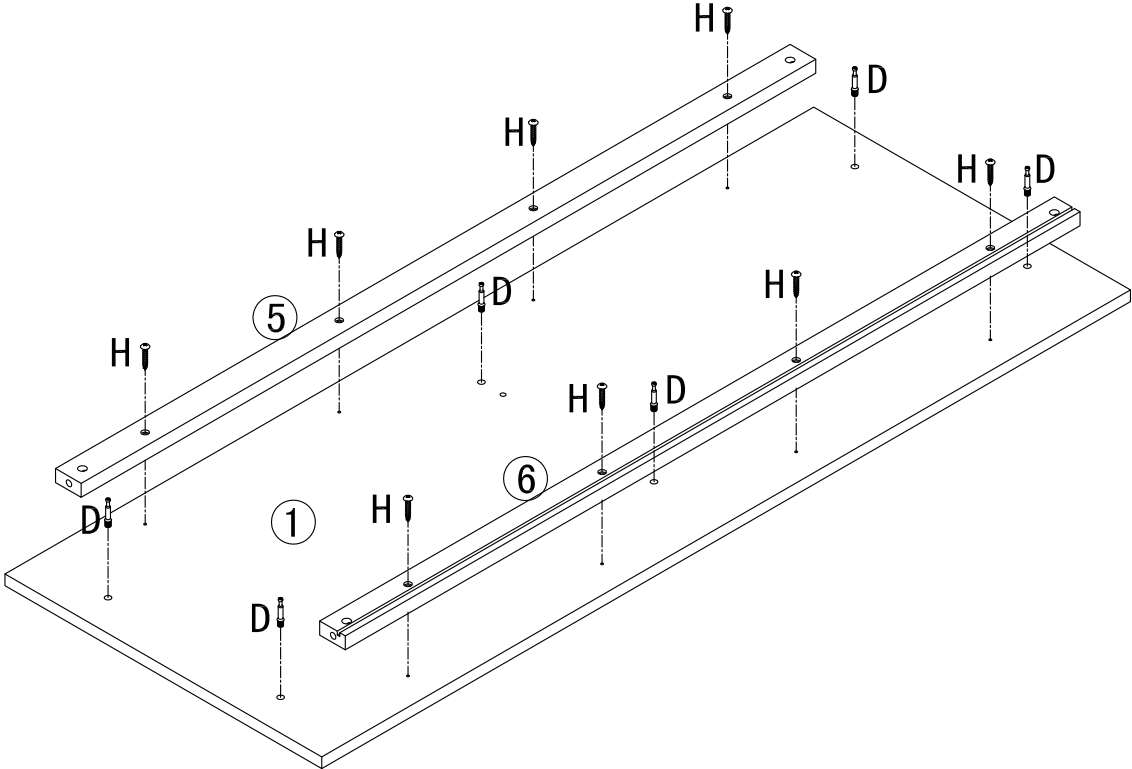
Step 11



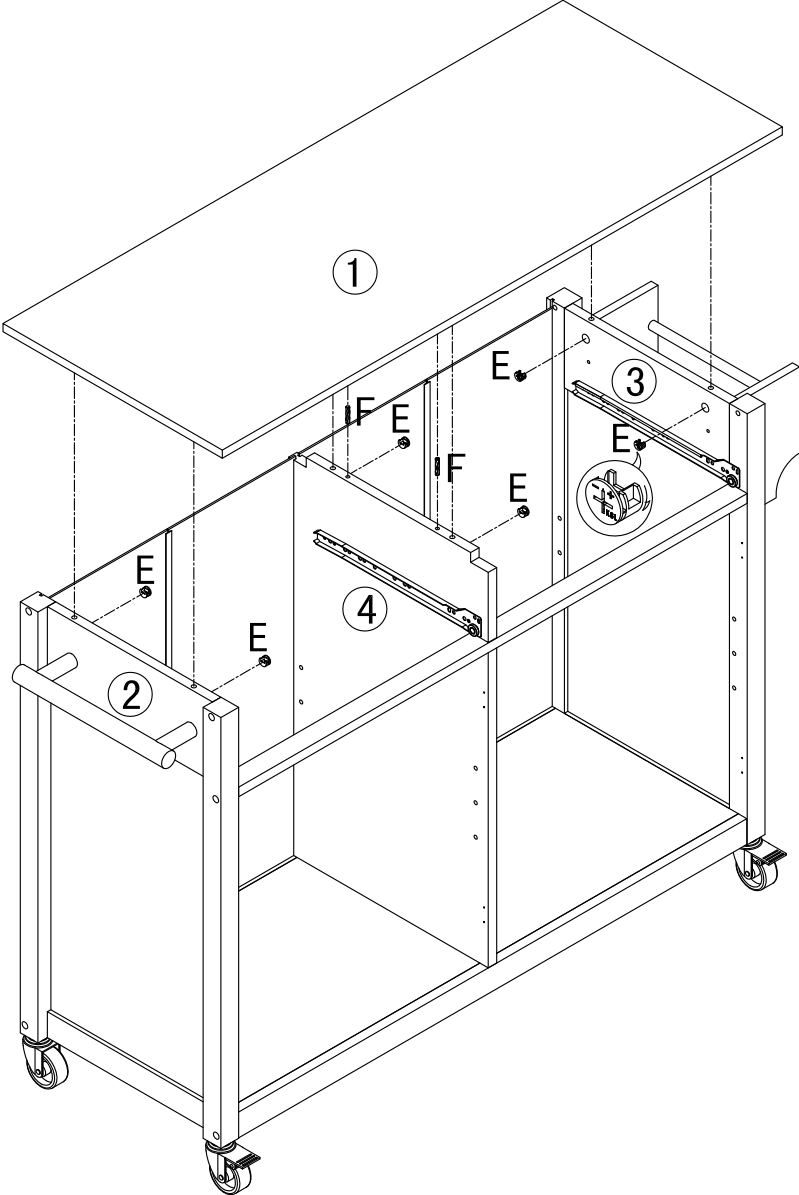
Step 12



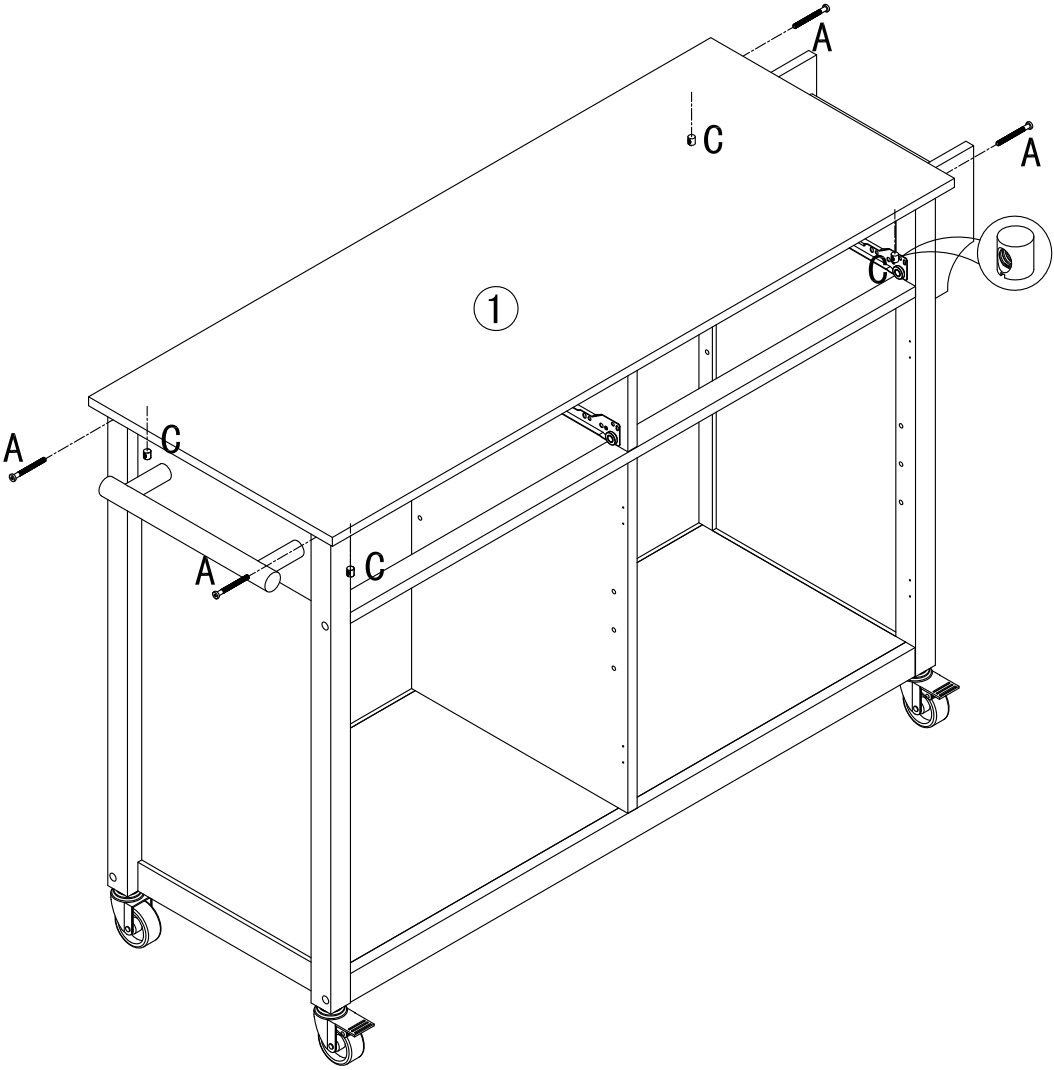
Step 13



Step 14

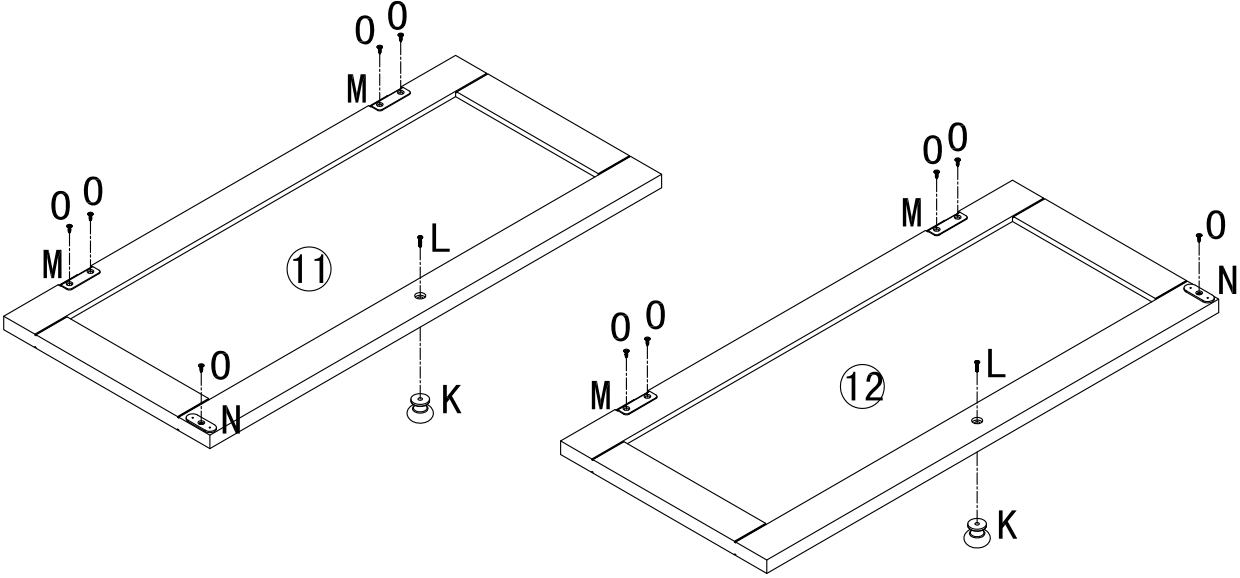


Step 15

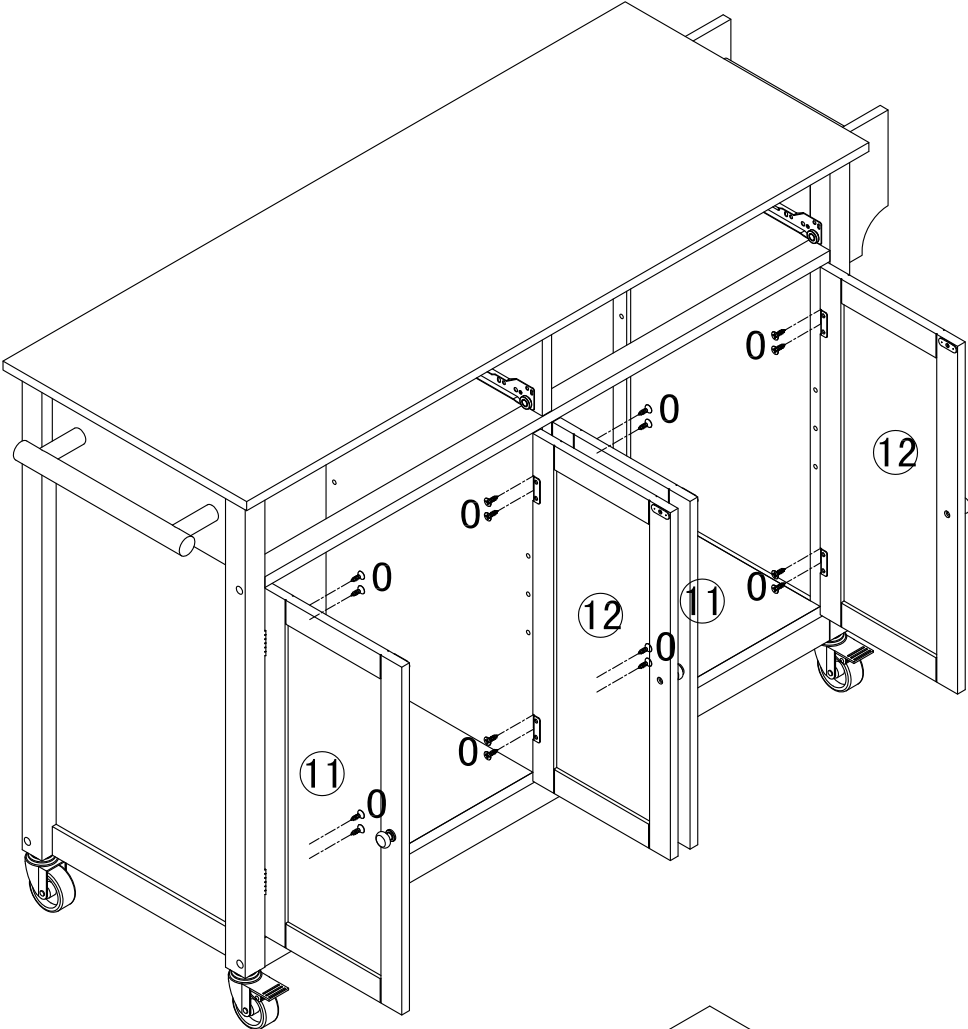


Step 16

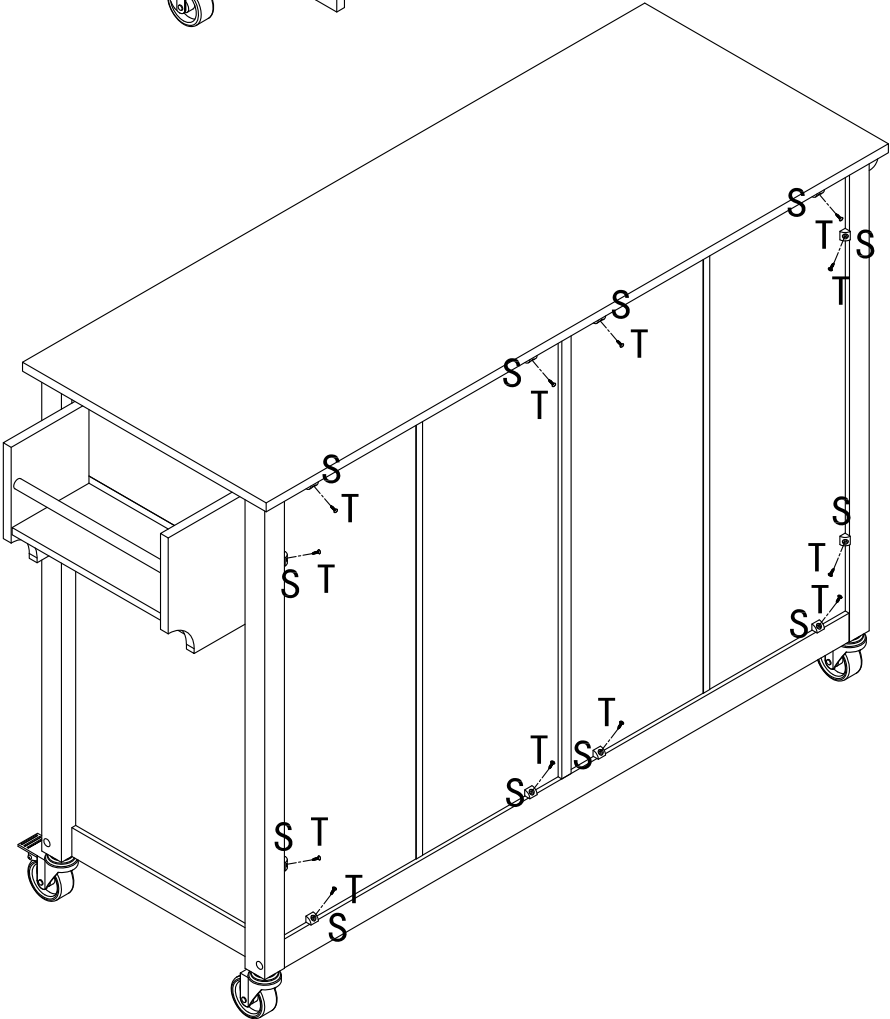
x2



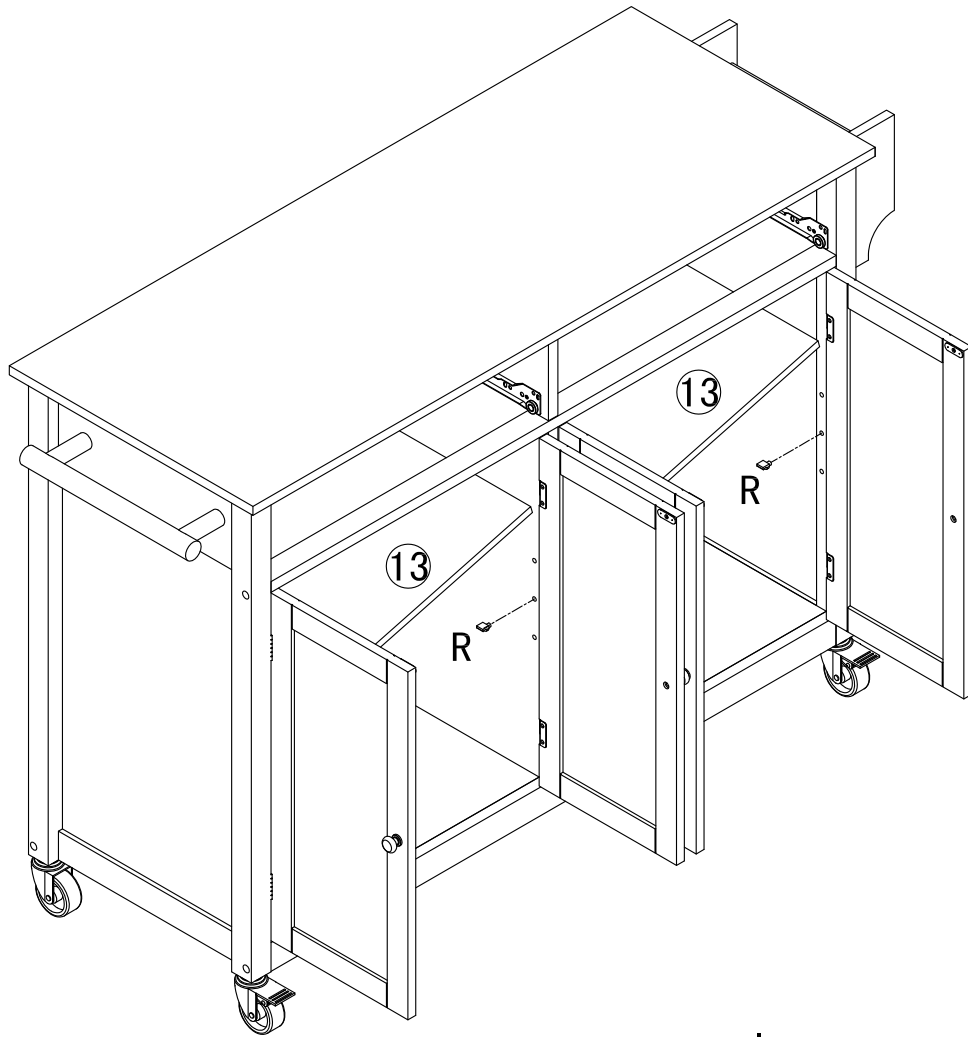
Step 17



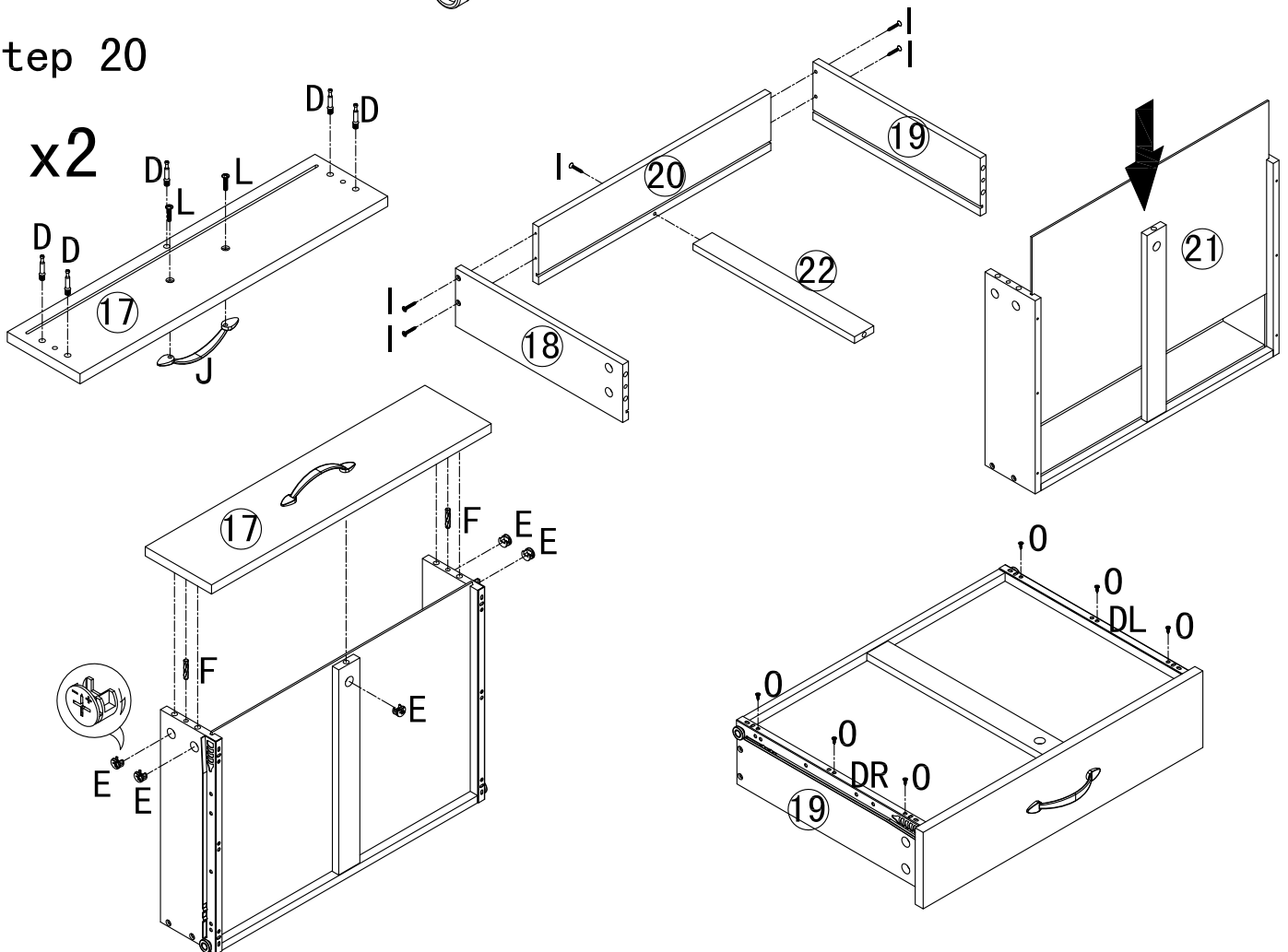
Step 18



Step 19



Step 20



Step 21

