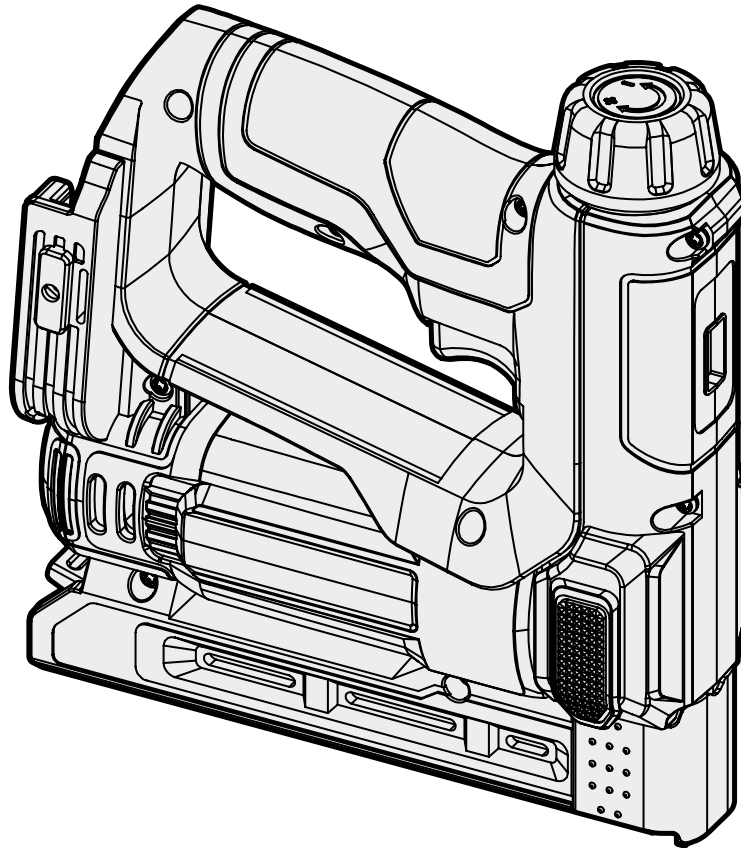




MODEL 20538, 20538BT

20V MAX BRAD NAILER AND CROWN STAPLER

Instruction Manual



NEED HELP? CONTACT US!

Have product questions? Need technical support? Please feel free to contact us:



1-847-429-9263 (M-F 8AM-5PM CST)



TECHSUPPORT@WENPRODUCTS.COM

IMPORTANT: Your new tool has been engineered and manufactured to WEN's highest standards for dependability, ease of operation, and operator safety. When properly cared for, this product will supply you years of rugged, trouble-free performance. Pay close attention to the rules for safe operation, warnings, and cautions. If you use your tool properly and for its intended purpose, you will enjoy years of safe, reliable service.

For replacement parts and the most up-to-date instruction manuals, visit ***WENPRODUCTS.COM***

CONTENTS

WELCOME	3
Introduction	3
Specifications.....	3
SAFETY	4
General Safety Rules	4
Brad Nailer & Stapler Safety Warnings.....	6
Electrical Information (Charger).....	7
Battery & Charger Safety Warnings	8
BEFORE OPERATING	9
Unpacking & Packing List	9
Know Your Brad Nailer & Stapler	9
Assembly & Adjustments.....	10
OPERATION & MAINTENANCE	13
Operation	13
Maintenance.....	14
Exploded View & Parts List.....	15
Warranty Statement	17

To purchase accessories and replacement parts for your tool, visit **WENPRODUCTS.COM**

20V 2.0Ah Max Battery (Model 20202, 20202B)

20V 4.0Ah Max Battery (Model 20204, 20204B)

20V 5.0Ah Max Battery (Model 20205)

20V 8.0Ah Max Battery (Model 20208)

20V 2A Charger (Model 20200C)

20V 2A Dual Port Charger (Model 20200D)


20V 5A Quick Charger (Model 20201Q)



WEN plans to continue to add more items to our 20V line. For an up-to-date list of the 20V cordless tools compatible with the included battery and charger, visit **wenproducts.com**.

INTRODUCTION

Thanks for purchasing the WEN Brad Nailer and Stapler. We know you are excited to put your tool to work, but first, please take a moment to read through the manual. Safe operation of this tool requires that you read and understand this operator's manual and all the labels affixed to the tool. This manual provides information regarding potential safety concerns, as well as helpful assembly and operating instructions for your tool.

 Indicates danger, warning, or caution. The safety symbols and the explanations with them deserve your careful attention and understanding. Always follow the safety precautions to reduce the risk of fire, electric shock or personal injury. However, please note that these instructions and warnings are not substitutes for proper accident prevention measures.

NOTE: The following safety information is not meant to cover all possible conditions and situations that may occur. WEN reserves the right to change this product and specifications at any time without prior notice.

At WEN, we are continuously improving our products. If you find that your tool does not exactly match this manual, please visit wenproducts.com for the most up-to-date manual or contact our customer service at **1-847-429-9263**.

Keep this manual available to all users during the entire life of the tool and review it frequently to maximize safety for both yourself and others.

SPECIFICATIONS

Model Number	20538, 20538BT
Included Battery*	2.0Ah Battery (Model 20202)*
Included Charger*	20V, 2A DC (Model 20200C)*
Magazine Capacity	Nails: 50 pcs
	Staples: 100 pcs
Rated Firing Speed	60 Pcs / Minute
Staple Type	Length: 1/4 in. - 9/16 in. Type: T50 Crown Staples
Nail Type	Length: 5/8 in. Type: 18-Gauge Brad Nails
Product Weight	2.4 lbs
Product Dimensions	7.0 in. x 7.8 in. x 2.7 in.

Battery Models	All WEN 20V MAX Batteries**
Charger Models	All WEN 20V MAX Chargers

***NOTE:** Battery and charger only included with model 20538. Model 20538BT does not include a battery or charger.

****NOTE:** Some tools may not be compatible with WEN 20V MAX 1.5Ah Batteries, model 49120B. Contact WEN customer service at **1-847-429-9263**, M-F with questions.

GENERAL SAFETY RULES

 **WARNING!** Read all safety warnings and all instructions. Failure to follow the warnings and instructions may result in electric shock, fire and/or serious injury.

Safety is a combination of common sense, staying alert and knowing how your item works. The term “power tool” in the warnings refers to your mains-operated (corded) power tool or battery-operated (cordless) power tool.

SAVE THESE SAFETY INSTRUCTIONS.

WORK AREA SAFETY

- 1. Keep work area clean and well lit.** Cluttered or dark areas invite accidents.
- 2. Do not operate power tools in explosive atmospheres, such as in the presence of flammable liquids, gases or dust.** Power tools create sparks which may ignite the dust or fumes.
- 3. Keep children and bystanders away while operating a power tool.** Distractions can cause you to lose control.

ELECTRICAL SAFETY

- 1. Power tool plugs must match the outlet. Never modify the plug in any way. Do not use any adapter plugs with earthed (grounded) power tools.** Unmodified plugs and matching outlets will reduce risk of electric shock.
- 2. Avoid body contact with earthed or grounded surfaces such as pipes, radiators, ranges and refrigerators.** There is an increased risk of electric shock if your body is earthed or grounded.
- 3. Do not expose power tools to rain or wet conditions.** Water entering a power tool will increase the risk of electric shock.
- 4. Do not abuse the cord. Never use the cord for carrying, pulling or unplugging the power tool. Keep cord away from heat, oil, sharp edges or moving parts.** Damaged or entangled cords increase the risk of electric shock.
- 5. When operating a power tool outdoors, use an extension cord suitable for outdoor use.** Use of a cord suitable for outdoor use reduces the risk of electric shock.

6. If operating a power tool in a damp location is unavoidable, use a ground fault circuit interrupter (GFCI) protected supply. Use of a GFCI reduces the risk of electric shock.

PERSONAL SAFETY

- 1. Stay alert, watch what you are doing and use common sense when operating a power tool. Do not use a power tool while you are tired or under the influence of drugs, alcohol or medication.** A moment of inattention while operating power tools may result in serious personal injury.
- 2. Use personal protective equipment. Always wear eye protection.** Protective equipment such as a respiratory mask, non-skid safety shoes and hearing protection used for appropriate conditions will reduce the risk of personal injury.
- 3. Prevent unintentional starting. Ensure the switch is in the off-position before connecting to power source and/or battery pack, picking up or carrying the tool.** Carrying power tools with your finger on the switch or energizing power tools that have the switch on invites accidents.
- 4. Remove any adjusting key or wrench before turning the power tool on.** A wrench or a key left attached to a rotating part of the power tool may result in personal injury.
- 5. Do not overreach. Keep proper footing and balance at all times.** This enables better control of the power tool in unexpected situations.
- 6. Dress properly. Do not wear loose clothing or jewelry. Keep your hair and clothing away from moving parts.** Loose clothes, jewelry or long hair can be caught in moving parts.

GENERAL SAFETY RULES

 **WARNING!** Read all safety warnings and all instructions. Failure to follow the warnings and instructions may result in electric shock, fire and/or serious injury.

Safety is a combination of common sense, staying alert and knowing how your item works. The term “power tool” in the warnings refers to your mains-operated (corded) power tool or battery-operated (cordless) power tool.

SAVE THESE SAFETY INSTRUCTIONS.

7. If devices are provided for the connection of dust extraction and collection facilities, ensure these are connected and properly used. Use of dust collection can reduce dust-related hazards.

POWER TOOL USE AND CARE

1. Do not force the power tool. Use the correct power tool for your application. The correct power tool will do the job better and safer at the rate for which it was designed.

2. Do not use the power tool if the switch does not turn it on and off. Any power tool that cannot be controlled with the switch is dangerous and must be repaired.

3. Disconnect the plug from the power source and/or the battery pack from the power tool before making any adjustments, changing accessories, or storing power tools. Such preventive safety measures reduce the risk of starting the power tool accidentally.

4. Store idle power tools out of the reach of children and do not allow persons unfamiliar with the power tool or these instructions to operate the power tool. Power tools are dangerous in the hands of untrained users.

5. Maintain power tools. Check for misalignment or binding of moving parts, breakage of parts and any other condition that may affect the power tool's operation. If damaged, have the power tool repaired before use. Many accidents are caused by poorly maintained power tools.

6. Keep cutting tools sharp and clean. Properly maintained cutting tools with sharp cutting edges are less likely to bind and are easier to control.

7. Use the power tool, accessories and tool bits, etc. in accordance with these instructions, taking into account the working conditions and the work to be performed. Use of the power tool for operations different from those intended could result in a hazardous situation.

8. Use clamps to secure your workpiece to a stable surface. Holding a workpiece by hand or using your body to support it may lead to loss of control.

9. KEEP GUARDS IN PLACE and in working order.

SERVICE

1. Have your power tool serviced by a qualified repair person using only identical replacement parts. This will ensure that the safety of the power tool is maintained.

CALIFORNIA PROPOSITION 65 WARNING

Some dust created by power sanding, sawing, grinding, drilling, and other construction activities may contain chemicals, including lead, known to the State of California to cause cancer, birth defects, or other reproductive harm. Wash hands after handling. Some examples of these chemicals are:

- Lead from lead-based paints.
- Crystalline silica from bricks, cement, and other masonry products.
- Arsenic and chromium from chemically treated lumber.

Your risk from these exposures varies depending on how often you do this type of work. To reduce your exposure to these chemicals, work in a well-ventilated area with approved safety equipment such as dust masks specially designed to filter out microscopic particles.

BRAD NAILER & STAPLER SAFETY WARNINGS

⚠ WARNING! Do not let comfort or familiarity with the product replace strict adherence to product safety rules. Failure to follow the safety instructions may result in serious personal injury.

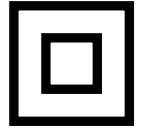
BRAD NAILER & STAPLER SAFETY

1. **THIS TOOL IS DESIGNED** for household use only, not for industrial or professional purposes. Do not force the tool to do a job for which it was not designed.
2. **INSPECT TOOL BEFORE USE.** Do not operate if any portion of the tool, trigger, or safety bracket is damaged, inoperable, disconnected, or altered. Damaged or missing parts should be repaired or replaced.
3. **GRIP THE TOOL FIRMLY** with both hands to maintain control while still allowing it to recoil away from the work surface as the fastener is driven.
4. **KEEP FACE AND BODY PARTS AWAY** from the back of the tool cap when working in restricted areas. Sudden recoil can result in impact to the body, especially when nailing into hard or dense material.
5. **DO NOT DISCHARGE** fasteners into open air, concrete, stone, extremely hard woods, knots, or any material too hard for the fastener to penetrate.
6. **DO NOT DRIVE FASTENERS** near the edge of your work material. The workpiece may split, causing the fastener to ricochet, injuring you or a bystander. Be aware that the fastener may follow the grain of the wood, causing it to protrude unexpectedly from the side of the work material. Drive the fastener perpendicular to the grain to reduce risk of injury.
7. **DO NOT DRIVE FASTENERS** onto the heads of other fasteners. Do not use the tool at too steep of an angle. Personal injury from strong recoil, jammed fasteners, or ricocheted nails may result.
8. **BE AWARE** of material thickness when using the nailer. A protruding nail may cause injury.
9. **WHEN THE TOOL IS BEING UTILIZED AT SPEEDS ON THE HIGH END** of its operating range, fasteners can be driven completely through thin or very soft work material. Make sure the speed is set so that fasteners are set into the material and not pushed completely through.
10. **REMOVE FINGER FROM TRIGGER** when not driving fasteners. Never carry the tool with your finger on the trigger.
11. **IF THE FASTENERS ARE JAMMED**, turn the tool OFF and remove the battery from the tool before removing the jammed fasteners.
12. **TURN THE TOOL OFF AND REMOVE THE BATTERY FROM THE TOOL WHEN NOT IN USE.** Remove fasteners from magazine before leaving the area or passing the tool to another operator. Do not climb ladders, stairs, scaffoldings, etc. with the tool ON. Do not carry the tool when it is ON to another work area. Do not make adjustments, remove magazine, perform maintenance or clear jammed fasteners while the tool is ON.
13. **DO NOT REMOVE**, tamper with, or otherwise cause the tool, trigger, or safety bracket to become inoperable. Do not tape or tie the trigger or safety bracket in the ON position. Do not remove springs from the safety bracket. Make daily inspections for free movement of the trigger and safety bracket. Do not alter or modify the tool in any way.
14. **MAINTAIN TOOLS PROPERLY.** Always keep tools clean and in good working order. Follow instructions for lubricating, changing accessories, and storage.

ELECTRICAL INFORMATION (CHARGER)

DOUBLE-INSULATED CHARGER

The charger's electrical system is double-insulated where two systems of insulation are provided. This eliminates the need for the usual three-wire grounded power cord. Double-insulated tools do not need to be grounded, nor should a means for grounding be added to the product. All exposed metal parts are isolated from the internal metal components with protecting insulation.



IMPORTANT: Servicing a double-insulated product requires extreme care and knowledge of the system, and should be done only by qualified service personnel using identical replacement parts. Always use original factory replacement parts when servicing.

1. Polarized Plugs. To reduce the risk of electric shock, this equipment has a polarized plug (one blade is wider than the other). This plug will fit in a polarized outlet only one way. If the plug does not fit fully in the outlet, reverse the plug. If it still does not fit, contact a qualified electrician to install a proper outlet. Do not modify the machine plug or the extension cord in any way.

2. Ground fault circuit interrupter protection (GFCI) should be provided on the circuit or outlet used for this power tool to reduce the risk of electric shock.

3. Service and repair. To avoid danger, electrical appliances must only be repaired by a qualified service technician using original replacement parts.

GUIDELINES AND RECOMMENDATIONS FOR EXTENSION CORDS

When using an extension cord, be sure to use one heavy enough to carry the current your product will draw. An undersized cord will cause a drop in line voltage, resulting in loss of power and overheating. The table below shows the correct size to be used according to cord length and ampere rating. When in doubt, use a heavier cord. The smaller the gauge number, the heavier the cord.

AMPERAGE	REQUIRED GAUGE FOR EXTENSION CORDS			
	25 ft.	50 ft.	100 ft.	150 ft.
2A	18 gauge	16 gauge	16 gauge	14 gauge

1. Examine extension cord before use. Make sure your extension cord is properly wired and in good condition. Always replace a damaged extension cord or have it repaired by a qualified person before using it.

2. Do not abuse extension cord. Do not pull on cord to disconnect from receptacle; always disconnect by pulling on plug. Disconnect the extension cord from the receptacle before disconnecting the product from the extension cord. Protect your extension cords from sharp objects, excessive heat and damp/wet areas.

3. Use a separate electrical circuit for your tool. This circuit must not be less than a 12-gauge wire and should be protected with a 15A time-delayed fuse. Before connecting the motor to the power line, make sure the switch is in the OFF position and the electric current is rated the same as the current stamped on the motor nameplate. Running at a lower voltage will damage the motor.

BATTERY & CHARGER SAFETY WARNINGS

ABOUT THE BATTERY

1. The battery pack has to be charged completely before you use the tool for the first time.
2. For optimum battery performance, avoid low discharge cycles by charging the battery pack frequently.
3. Lithium-ion batteries are subject to a natural aging process. The battery pack must be replaced at the latest when its capacity falls to just 80% of its capacity when new. Weakened cells in an aged battery pack are no longer capable of meeting the high power requirements needed for the proper operation of your tool, and therefore pose a safety risk.
4. Do not throw battery packs into an open fire as this poses a risk of explosion. Do not ignite the battery pack or expose it to fire.
5. Do not exhaustively discharge batteries. Exhaustive discharge will damage the battery cells. The most common cause of exhaustive discharge is lengthy storage or non-use of partially discharged batteries. Stop working as soon as the performance of the battery falls noticeably or the electronic protection system triggers. Place the battery pack in storage only after it has been fully charged.
6. Protect batteries and the tool from overloads. Overloads will quickly result in overheating and cell damage inside the battery housing even if this overheating is not apparent externally.
7. Avoid damage and shocks. Immediately replace batteries that have been dropped from a height of more than one meter or those that have been exposed to violent shocks, even if the housing of the battery pack appears to be undamaged. The battery cells inside the battery may have suffered serious damage. In such instances, please read the waste disposal information for proper battery disposal.
8. If the battery pack suffers overloading and overheating, the integrated protective cutoff will switch off the equipment for safety reasons.
9. Use only original battery packs. The use of other batteries poses a fire risk and may result in injuries or an explosion.

ABOUT THE CHARGER

Protect battery charger and cord from damage. Keep the charger and its cord away from heat, oil and sharp edges.

Electrical plugs must match the outlet. Never modify the plug in any way. Do not use any adapter plugs with grounded appliances. Unmodified plugs and matching outlets will reduce the risk of electric shock.

Keep the battery charger, battery pack(s), and the cordless tool out of the reach of children.

Do not use the supplied battery charger to charge other cordless tools.

During periods of heavy use, the battery pack will become warm. Allow the battery pack to cool to room temperature before inserting it into the charger to recharge.

Do not overcharge batteries. Do not exceed the maximum charging times. These charging times only apply to discharged batteries. Frequent insertion of a charged or partially charged battery pack will result in overcharging and cell damage. Do not leave battery in the charger for days on end.

Never use or charge a battery if you suspect that it has been more than 12 months since last time they were charged. There is a high probability that the battery pack has already suffered dangerous damage (exhaustive discharge).

Do not use batteries that have been exposed to heat during the charging process, as the battery cells may have suffered dangerous damage.

Do not use batteries that have suffered curvature or deformation during the charging process or those that exhibit other atypical symptoms (gassing, hissing, cracking, etc.)

UNPACKING & PACKING LIST

UNPACKING

Carefully remove the brad nailer and stapler from the packaging and place it on a sturdy, flat surface. Make sure to take out all contents and accessories. Do not discard the packaging until everything is removed. Check the packing list below to make sure you have all of the parts and accessories. If any part is missing or broken, please contact customer service at **1-847-429-9263** (M-F 8-5 CST), or email techsupport@wenproducts.com.

PACKING LIST

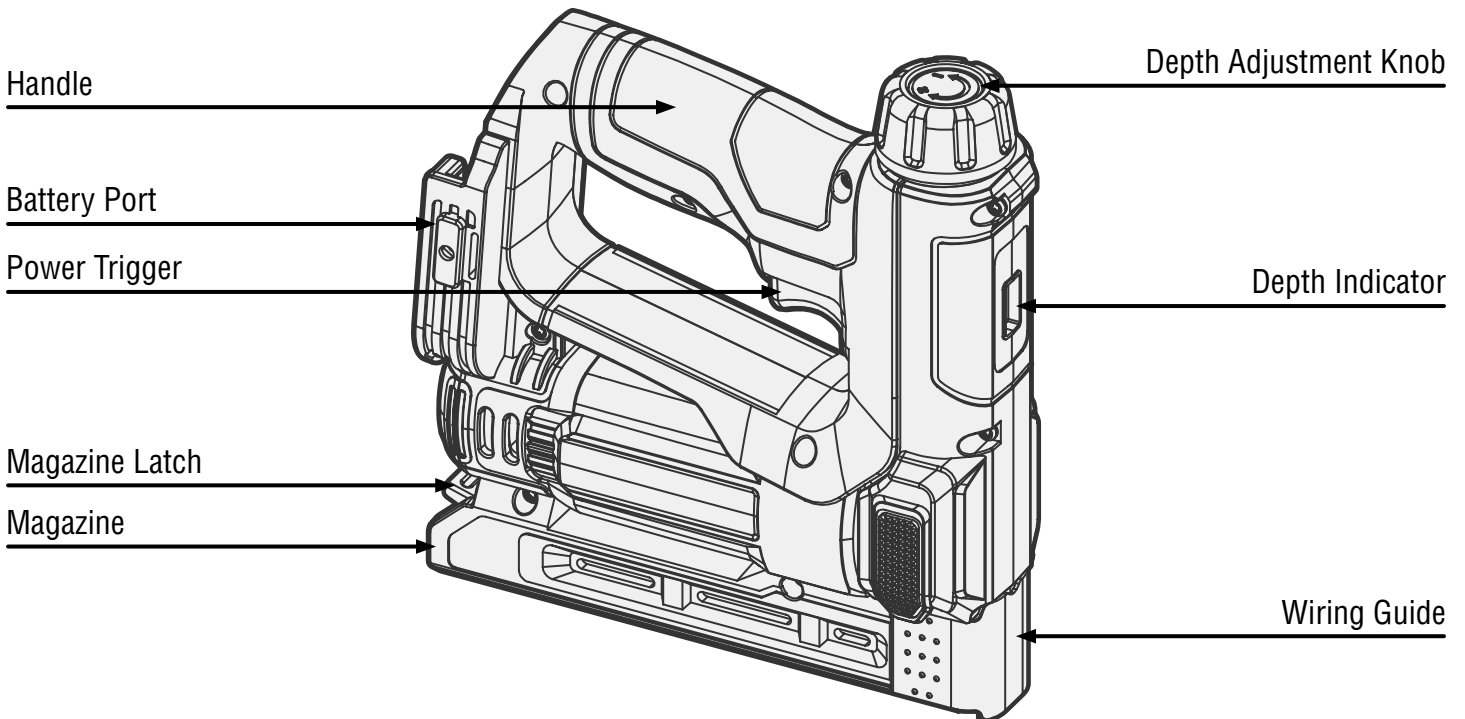
Description	Quantity
Nailer and Stapler	1
18-Gauge Brad Nails	100
T50 Crown Staples	400
*20V 2.0Ah Battery	1
*20V 2A Charger	1

***Only included with model number 20538.**


KNOW YOUR BRAD NAILER & STAPLER

TOOL PURPOSE

Install trim, build birdhouses, and more with the help of your handy-dandy newfangled WEN Brad Nailer & Stapler. Refer to the following diagram to become familiarized with all the parts and controls of your tool. The components will be referred to later in the manual for assembly and operation instructions.



ASSEMBLY & ADJUSTMENTS

 **WARNING!** To avoid injury from accidental startups, be sure that the tool is switched OFF and the battery is removed from the tool before inspecting the unit, making adjustments, or changing accessories.

CHARGING THE BATTERY PACK

The 20V battery pack for this tool is supplied in a low charge condition to prevent possible problems, and must be charged completely before you use the tool for the first time.

1. Connect charger to a 120V, 60Hz AC outlet. The green lights on the charger will illuminate, indicating that the charger is powered.
2. Slide the battery all the way into the charger port until it clicks. The red light on the corresponding charger port will illuminate, indicating that the battery is charging.

Charging Indication:

- Solid Green: Ready to Charge
- Solid Red: Charging
- Solid Green: Charged

3. When the battery is charged, the red light will turn off and the green light will turn on. Remove the battery from the charger and unplug the charger from the power supply.

NOTE: Battery will not reach full charge the first time it is charged. Allow several cycles for the battery to fully charge. The battery pack may become warm while charging; this is normal. If the battery is hot after continuous use in the tool, allow it to cool to room temperature before charging. This will prolong the life of your battery.

The battery pack is equipped with three LED battery life indication lights. Press and hold the power button on the front or rear of the battery to check the battery's charge status.

Battery Life Indication:

- Three Lights: The battery is fully charged.
- Two Lights: The battery is about 60% charged.
- One Light: The battery is almost out of power and needs to be charged.

INSERTING AND REMOVING THE BATTERY

1. To install the battery, slide the battery pack into the battery port. Make sure the release latch on the rear side of the battery pack snaps into place and the battery is secure before beginning operation.
2. To remove the battery pack, press the battery release latch on the front of the battery and pull the battery pack out.

ASSEMBLY & ADJUSTMENTS

⚠ WARNING! To avoid injury from accidental startups, make sure that the tool is OFF and the battery is removed when assembling the tool or when making any adjustments.

⚠ WARNING! To avoid injury from accidental startups, make sure that the tool is OFF and the battery is removed from the nailer when loading fasteners.

⚠ WARNING! Only use fasteners that are recommended for the tool. Using fasteners that do not match the specifications of the tool can result in personal injury or damage to the tool.

⚠ WARNING! Hold the nailer with the magazine at your side. NEVER point the tip at yourself or others.

LOADING & UNLOADING STAPLES

This tool accepts T50 crown staples with a length of 1/4 in. to 9/16 in.

1. Unlock the magazine latch (Fig. 1 - 1) and pull back on the magazine cover (Fig. 2 - 1).

2. Insert a row of staples into the opening behind the nose as shown in Fig. 2.

4. Push the loaded magazine back into the unit until it clicks into place.

LOADING & UNLOADING NAILS

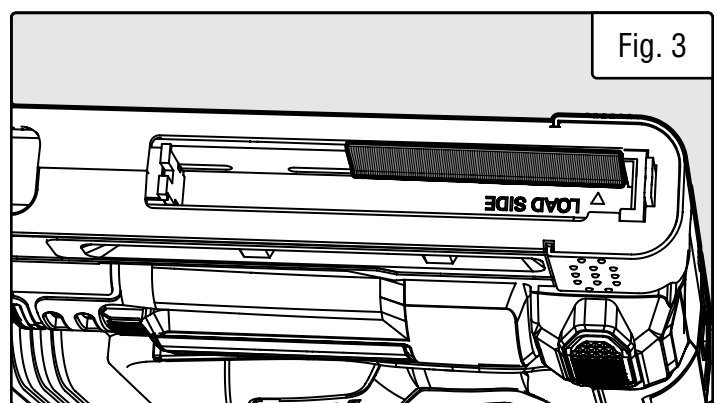
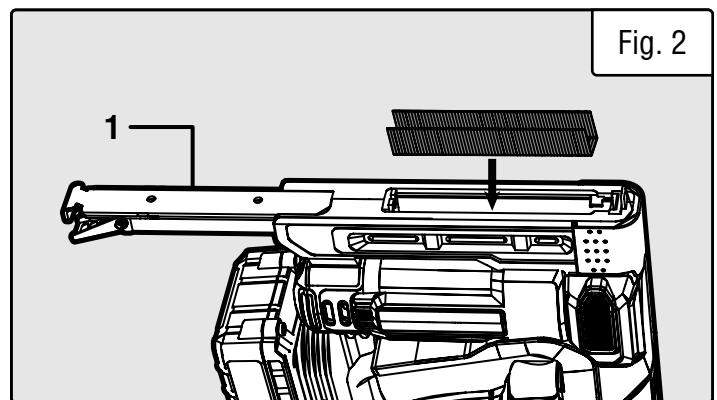
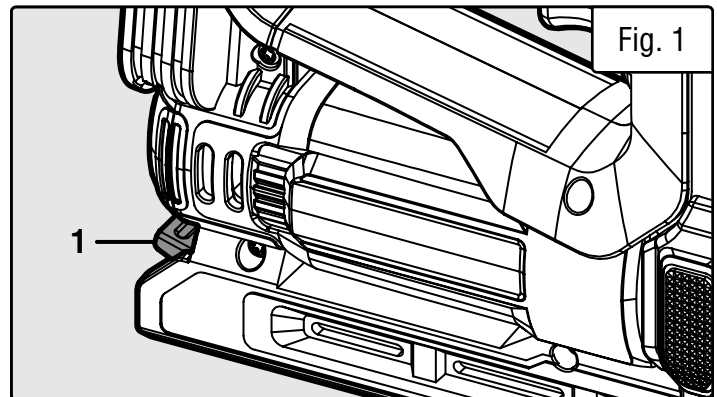
This tool accepts 18-gauge brad nails with a length of 5/8 in.

1. Unlock the magazine latch (Fig. 1 - 1) and pull back on the magazine cover (Fig. 2 - 1).

2. Insert a row of nails into the opening behind the nose as shown in Fig. 3. Be sure to place the nails on the side marked "LOAD SIDE". The nail heads should sit perfectly against the internal groove.

3. Push the loaded magazine back into the unit until it clicks into place.

⚠ WARNING! Always unload the fasteners once you've completed operation. The tool should not be loaded when it is not in use.



ASSEMBLY & ADJUSTMENTS

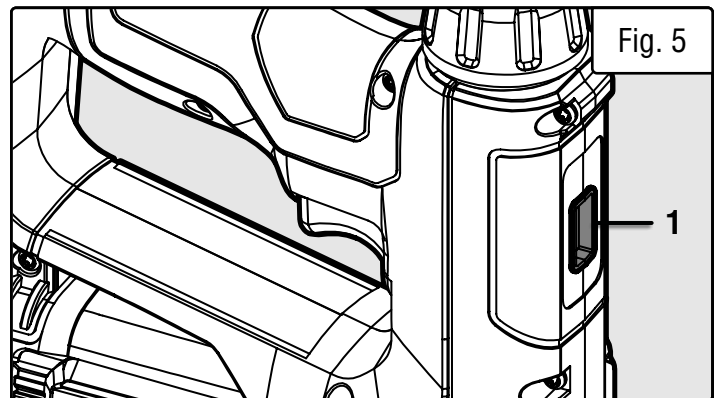
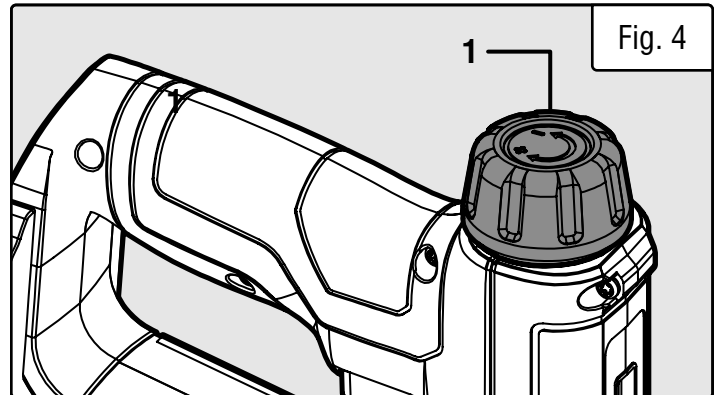
⚠ WARNING! To avoid injury from accidental startups, make sure that the tool is OFF and the battery is removed when assembling the tool or when making any adjustments.

DEPTH ADJUSTMENT

Increase or decrease the drive force and the depth of the fastener based on your specific operation.

- **To increase the drive force and depth:** Rotate the depth adjustment knob (Fig. 4 - 1) clockwise.
- **To decrease the drive force and depth:** Rotate the depth adjustment knob counterclockwise.

The line on the depth indicator (Fig. 5 - 1) will move when the depth adjustment knob is rotated. The maximum drive force will show the line closer to the nose of the nailer and stapler. The minimum drive force will show the line closer to the depth adjustment knob.

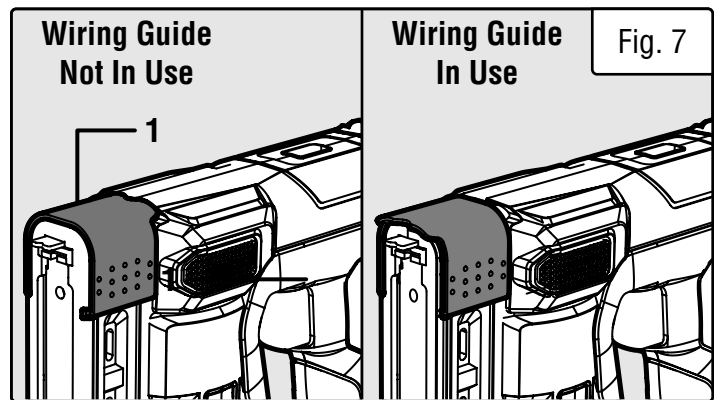
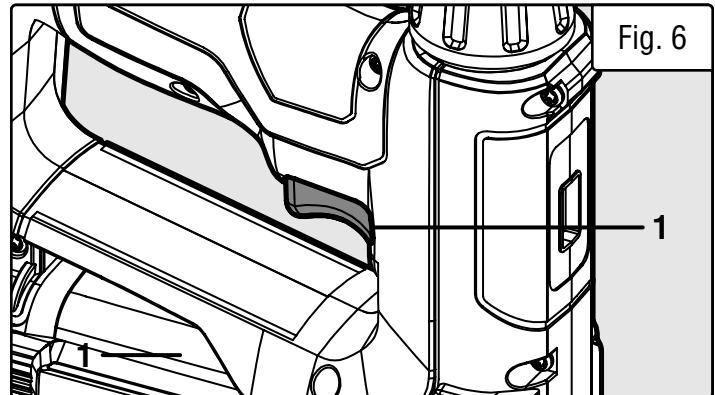


OPERATION

⚠ WARNING! Using this type of tool can be dangerous. To reduce the risk of injury, always wear proper eye and hearing protection when operating this tool. Stay alert and keep proper balance at all times.

FIRING FASTENERS

1. Check that the fasteners have been loaded into the magazine and that the magazine is securely locked in place.
2. Attach the battery to the battery terminal.
3. Test the driving depth on a scrap piece of wood. If the fasteners penetrate too deeply, decrease the firing depth. If the fasteners penetrate too shallowly, increase the firing depth.
4. Hold the nailer upright on the workpiece and position the nose where the fastener will be driven.
5. Carefully press down and pull the power trigger (Fig. 6 - 1) to drive a fastener.
6. Release the trigger, lift the tool off the workpiece and reposition it where the next fastener will be driven. Repeat step 5 to drive another fastener.
7. After the operation has been completed, turn the tool OFF and remove the battery. Remove all the fasteners from the nailer. Store the nailer in a safe and secure location, out of reach from children.



USING THE WIRING GUIDE

Your tool comes with a wiring guide (Fig. 7 - 1) that helps with attaching wire to a wooden frame or workpiece.

Always use a scrap piece that is the same material as the workpiece to test the drive force of the fastener.

When not in use, the wiring guide may be stored on the tool with the notched edge facing away from the nose of the nailer and stapler.

To install the accessory:

1. Make sure that the tool is OFF and the battery is removed from the battery port.
2. Install the wiring guide so that the notched edge is pointed downward towards the nose of the nailer and stapler as shown in Fig. 7.
3. Align the wire between the notch in the wiring guide and press the power trigger to fasten the wire to the workpiece.


OPERATION

REMOVING A JAMMED STAPLE

If the tool becomes jammed, you must remove the jammed fastener before continuing operation.

1. Make sure that tool is OFF and the battery is removed from the battery port.
2. Position the tool upside down and open the magazine.
3. Remove all unused staples from the magazine.
4. Locate the jam and remove the fastener with needle-nose pliers (not included).

MAINTENANCE

 **WARNING!** To avoid injury from accidental startups, make sure that the tool is OFF and the battery is removed when performing any maintenance.

CLEANING

Keep tools clean for better and safer performance. Wipe the tool clean with a damp towel and mild soap. Blow the tool clean using compressed air, then use non-flammable cleaning solutions to wipe exterior of the tool as necessary. Do not soak tool with cleaning solutions. Such solutions can damage internal parts.

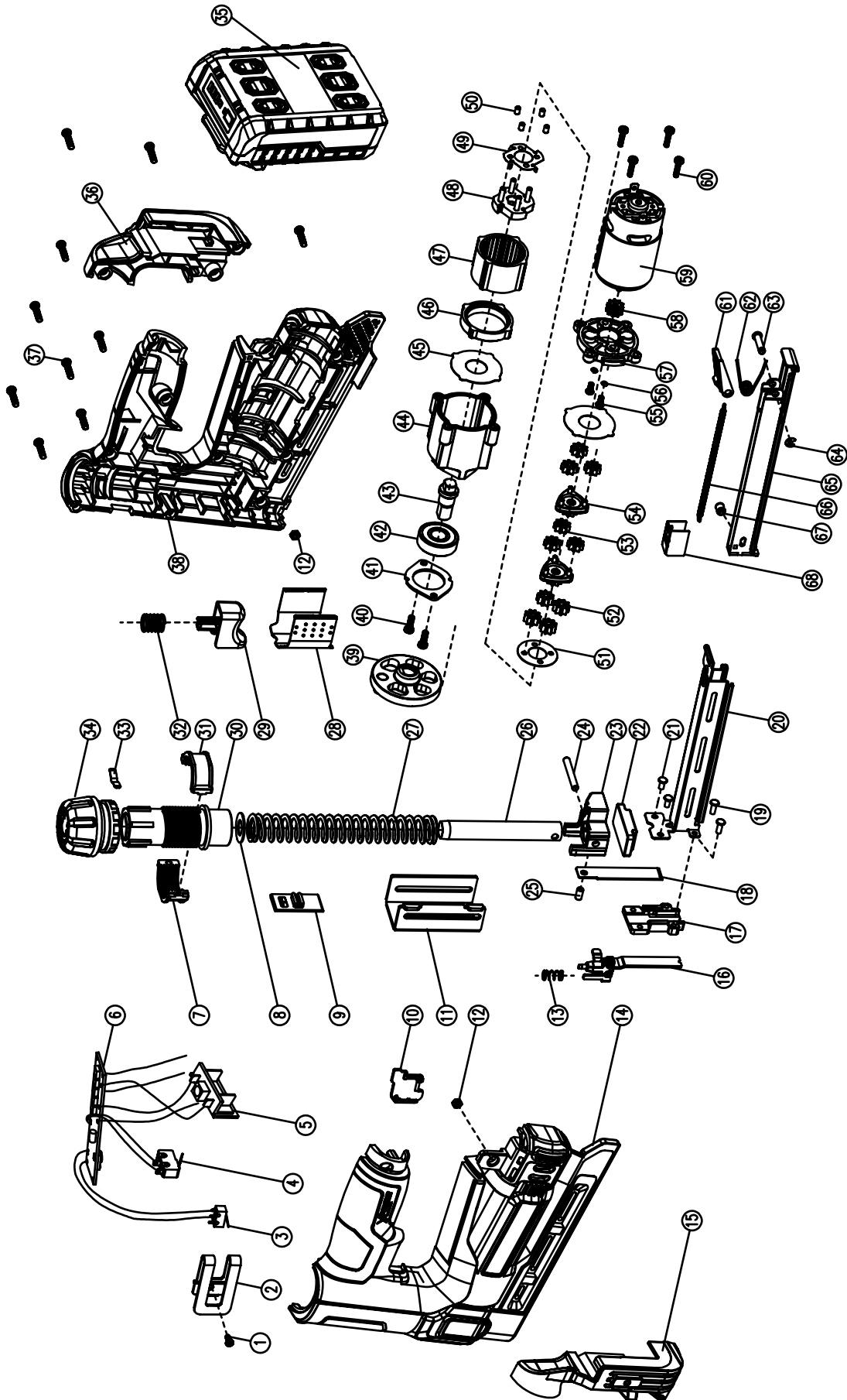
INSPECTION

1. Inspect trigger and safety mechanism to assure system is complete and functional (no loose or missing parts, no binding or sticking parts). Do not operate if any portion of the tool, trigger, or nose is damaged, inoperable, disconnected, or altered. Damaged or missing parts should be repaired or replaced before use.
2. Keep all screws tight. Loose screws can cause personal injury or damage the tool.

STORAGE

Store the unit and accessories in a dark, dry, frost-free and well ventilated place, out of the reach of children. The ideal storage temperature is between 50 to 86 °F (10 and 30 °C).

EXPLODED VIEW & PARTS LIST



EXPLODED VIEW & PARTS LIST

NO.	PART NO.	DESCRIPTION	QTY.
1	20538-001	Phillips Head Screw	1
2	20538-002	Couple	1
3	20538-003	Trigger Switch	1
4	20538-004	Power Switch	1
5	20538-005	Battery Pin	1
6	20538-006	Circuit Board	1
7	20538-007	Left Threaded Collar	1
8	20538-008	Impact Gasket	1
9	20538-009	Depth Indicator	1
10	20538-010	Safety Switch Cover Plate	1
11	20538-011	Chute	1
12	20538-012	Hexagon nuts, Grade C	2
13	20538-013	Safety Mechanism Spring	1
14	20538-014	Left Housing	1
15	20538-015	Left Foot Board	1
16	20538-016	Safety Switch Assembly	1
17	20538-017	Muzzle	1
18	20538-018	Fastening Clip	1
19	20538-019	Flat Rivet $\phi 3 \times 8$	2
20	20538-020	Outer Nail Magazine	1
21	20538-021	Flat Rivet $\phi 3 \times 6$	2
22	20538-022	Vibration Dampening Pad	1
23	20538-023	Impact Block	1
24	20538-024	Pin $\phi 4 \times 30$	1
25	20538-025	Pin $\phi 4 \times 8$	1
26	20538-026	Impact Guide	1
27	20538-027	Impact Spring	1
28	20538-028	Nose Guard	1
29	20538-029	Trigger	1
30	20538-030	Regulating Barrel	1
31	20538-031	Right Threaded Collar	1
32	20538-032	Trigger Spring	1
33	20538-033	Gear Locking Clip	1
34	20538-034	Depth Adjustment Knob	1
35	20538-035	20V Battery	1

NO.	PART NO.	DESCRIPTION	QTY.
36	20538-036	Right Battery Housing	1
37	20538-037	Tapping Screw ST3.5x14	10
38	20538-038	Right Housing	1
39	20538-039	Flywheel Assembly	1
40	20538-040	Tapping Screw ST3.5x10	2
41	20538-041	Bearing Bracket	1
42	20538-042	Ball Bearing	1
43	20538-043	Output Shaft	1
44	20538-044	Gearbox Housing	1
45	20538-045	Gear Box Gasket	2
46	20538-046	Ratchet Cover	1
47	20538-047	Inner Gear Ring	1
48	20538-048	Ratchet Mechanism	1
49	20538-049	Self-Locking Clip	1
50	20538-050	Cylinder Pin $\phi 3 \times 5$	4
51	20538-051	Ratchet Gasket	1
52	20538-052	Three-Stage Planetary Gear	4
53	20538-053	First Stage Planetary Gear	6
54	20538-054	Planetary Gear Disk Assembly	2
55	20538-055	Phillips Head Screw M3x8	2
56	20538-056	Washer $\phi 3$	2
57	20538-057	Motor Cover	1
58	20538-058	Motor Gear	1
59	20538-059	Motor	1
60	20538-060	Tapping Screw ST2.9x12	4
61	20538-061	Nail Slot Clip	1
62	20538-062	Torsion Spring	1
63	20538-063	Grooved Fastening Pins	1
64	20538-064	E-Type Circlip $\phi 3$	1
65	20538-065	Inner Nail Magazine	1
66	20538-066	Nail Magazine Spring	1
67	20538-067	Pin Guide Roller	1
68	20538-068	Nail Feeder	1

NOTE: Not all parts may be available for purchase. Parts and accessories that wear down over the course of normal use are not covered under the warranty.

WARRANTY STATEMENT

WEN Products is committed to building tools that are dependable for years. Our warranties are consistent with this commitment and our dedication to quality.

LIMITED WARRANTY OF WEN PRODUCTS FOR HOME USE

GREAT LAKES TECHNOLOGIES, LLC (“Seller”) warrants to the original purchaser only, that all WEN consumer power tools will be free from defects in material or workmanship during personal use for a period of two (2) years from date of purchase or 500 hours of use; whichever comes first. Ninety days for all WEN products if the tool is used for professional or commercial use. Purchaser has 30 days from the date of purchase to report missing or damaged parts.

SELLER’S SOLE OBLIGATION AND YOUR EXCLUSIVE REMEDY under this Limited Warranty and, to the extent permitted by law, any warranty or condition implied by law, shall be the replacement of parts, without charge, which are defective in material or workmanship and which have not been subjected to misuse, alteration, careless handling, misrepair, abuse, neglect, normal wear and tear, improper maintenance, or other conditions adversely affecting the Product or the component of the Product, whether by accident or intentionally, by persons other than Seller. To make a claim under this Limited Warranty, you must make sure to keep a copy of your proof of purchase that clearly defines the Date of Purchase (month and year) and the Place of Purchase. Place of Purchase must be a direct vendor of Great Lakes Technologies, LLC. Purchasing through third party vendors, including but not limited to garage sales, pawn shops, resale shops, or any other secondhand merchant, voids the warranty included with this product. Contact techsupport@wenproducts.com or 1-847-429-9263 with the following information to make arrangements: your shipping address, phone number, serial number, required part numbers, and proof of purchase. Damaged or defective parts and products may need to be sent to WEN before the replacements can be shipped out.

Upon the confirmation of a WEN representative, your product may qualify for repairs and service work. When returning a product for warranty service, the shipping charges must be prepaid by the purchaser. The product must be shipped in its original container (or an equivalent), properly packed to withstand the hazards of shipment. The product must be fully insured with a copy of the proof of purchase enclosed. There must also be a description of the problem in order to help our repairs department diagnose and fix the issue. Repairs will be made and the product will be returned and shipped back to the purchaser at no charge for addresses within the contiguous United States.

THIS LIMITED WARRANTY DOES NOT APPLY TO ITEMS THAT WEAR OUT FROM REGULAR USAGE OVER TIME, INCLUDING BELTS, BRUSHES, BLADES, BATTERIES, ETC. ANY IMPLIED WARRANTIES SHALL BE LIMITED IN DURATION TO TWO (2) YEARS FROM DATE OF PURCHASE. SOME STATES IN THE U.S. AND SOME CANADIAN PROVINCES DO NOT ALLOW LIMITATIONS ON HOW LONG AN IMPLIED WARRANTY LASTS, SO THE ABOVE LIMITATION MAY NOT APPLY TO YOU.

IN NO EVENT SHALL SELLER BE LIABLE FOR ANY INCIDENTAL OR CONSEQUENTIAL DAMAGES (INCLUDING BUT NOT LIMITED TO LIABILITY FOR LOSS OF PROFITS) ARISING FROM THE SALE OR USE OF THIS PRODUCT. SOME STATES IN THE U.S. AND SOME CANADIAN PROVINCES DO NOT ALLOW THE EXCLUSION OR LIMITATION OF INCIDENTAL OR CONSEQUENTIAL DAMAGES, SO THE ABOVE LIMITATION OR EXCLUSION MAY NOT APPLY TO YOU.

THIS LIMITED WARRANTY GIVES YOU SPECIFIC LEGAL RIGHTS, AND YOU MAY ALSO HAVE OTHER RIGHTS WHICH VARY FROM STATE TO STATE IN THE U.S., PROVINCE TO PROVINCE IN CANADA AND FROM COUNTRY TO COUNTRY.

THIS LIMITED WARRANTY APPLIES ONLY TO ITEMS SOLD WITHIN THE UNITED STATES OF AMERICA, CANADA AND THE COMMONWEALTH OF PUERTO RICO. FOR WARRANTY COVERAGE WITHIN OTHER COUNTRIES, CONTACT THE WEN CUSTOMER SUPPORT LINE. FOR WARRANTY PARTS OR PRODUCTS REPAIRED UNDER WARRANTY SHIPPING TO ADDRESSES OUTSIDE OF THE CONTIGUOUS UNITED STATES, ADDITIONAL SHIPPING CHARGES MAY APPLY.

**THANKS FOR
REMEMBERING**

