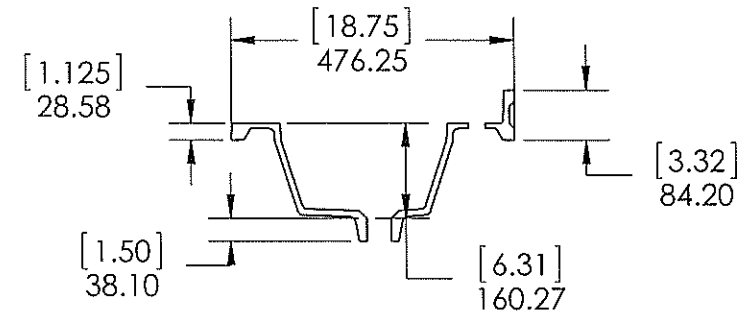
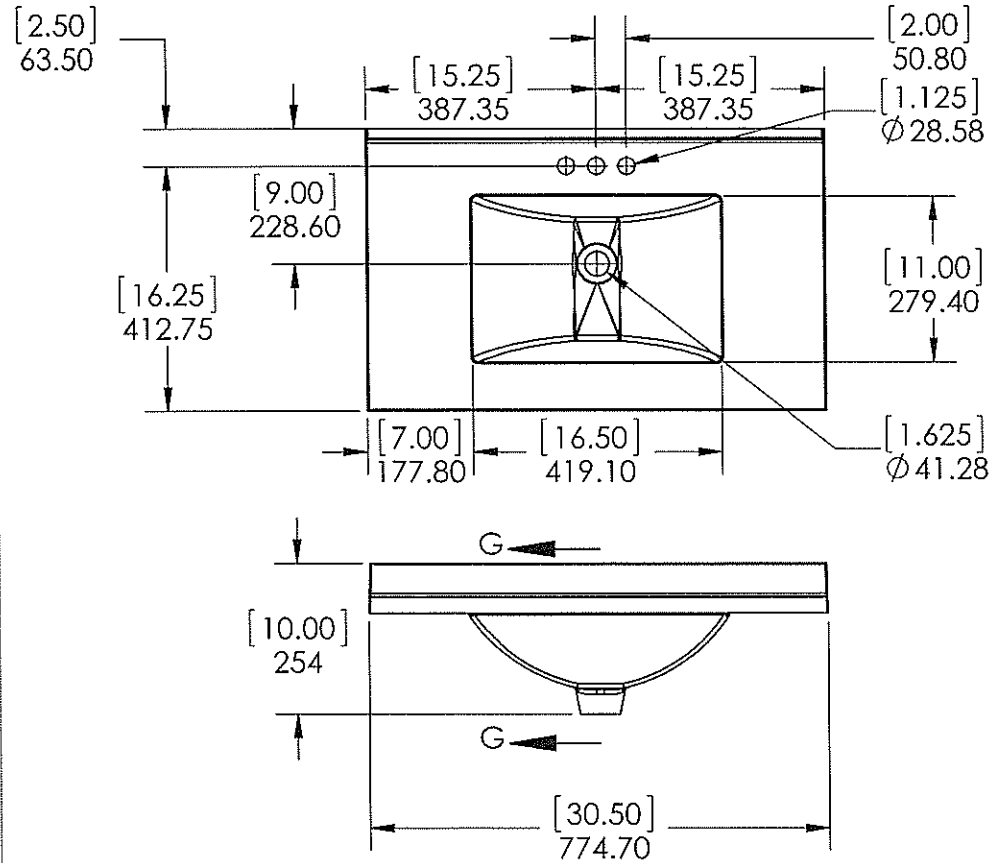
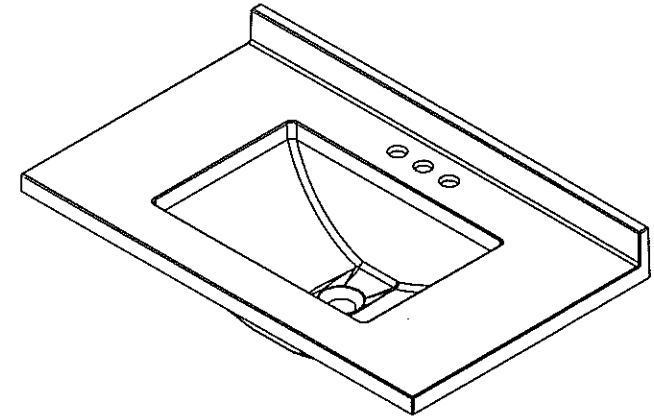


ID	Description	Technology	Status
595454	Vtop Rect 30.5x18.75 White	Solid Surface	Approved for production
595457	Vtop Rect 30.5x18.75 SS Autumn	Solid Surface	Approved for production
595465	Vtop Rect Bitono 30.5x18.75 SS Caramel	Solid White	Approved for production
595468	Vtop Rect Bitono 30.5x18.75 SS Titanium	Solid Surface	Approved for production
595472	Vtop Rect 30.5x18.75 SS Corsica 4in	Solid Surface	Approved for production

Rev #	Approved by	Change
1	V. Sanchez	New Model Added
2	I. Sandate	New Model Added
3	R. Rubio	New Model Added



PROPRIETARY AND CONFIDENTIAL
 THE INFORMATION CONTAINED HEREIN IS THE PROPERTY OF WOODCRAFTERS, AND
 PERMISSION IS GRANTED TO REPRODUCE THIS
 INFORMATION FOR PERSONAL USE ONLY. ANY
 OTHER REPRODUCTION OR DISTRIBUTION
 WITHOUT THE WRITTEN PERMISSION OF WOODCRAFTERS IS PROHIBITED.

DATE	BY	APP. BY
07/15/16	J. Martinez	07/15/16
07/15/16	E. Sandovel	07/15/16
07/15/16	R. Rubio	07/15/16
07/15/16	C. Leal	07/15/16

Wood Crafters

BY: [Signature]

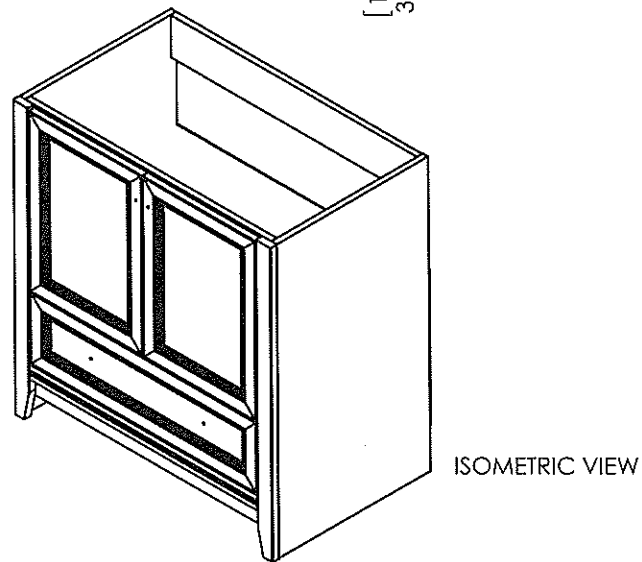
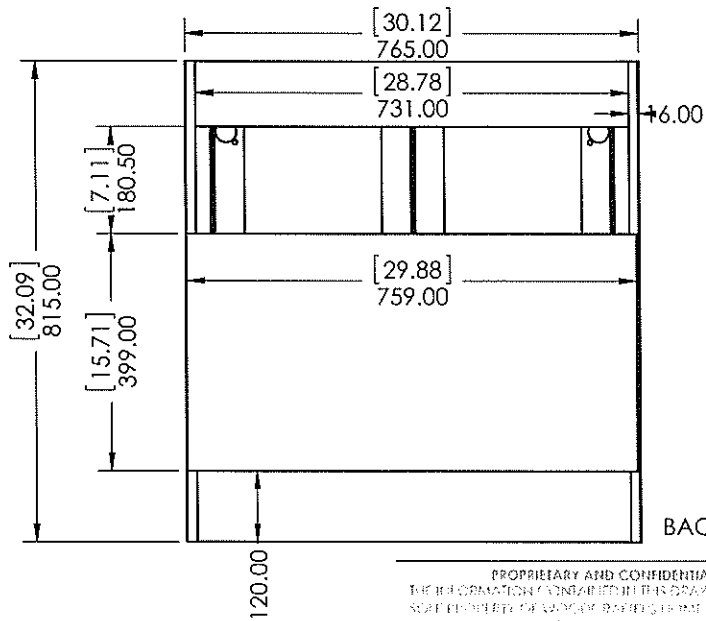
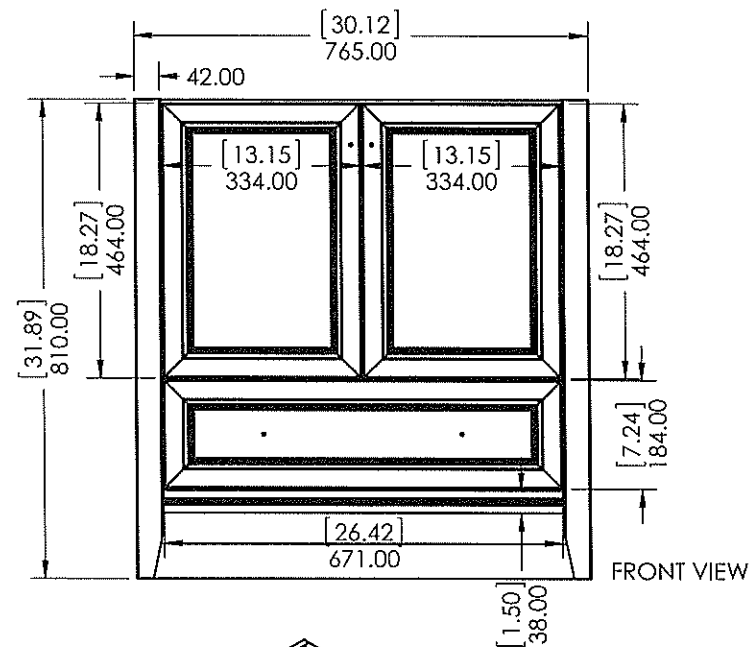
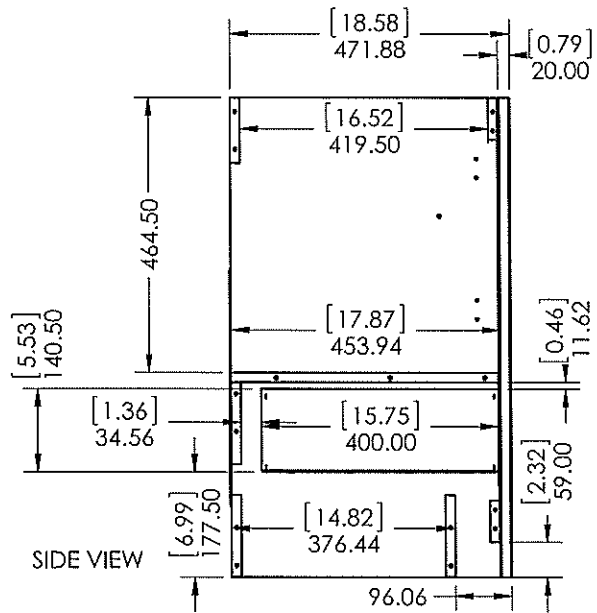
DATE: 07/15/16

REV: 3

2 tone 30.5x18.75 Rect FG

ITEM ID	DESCRIPTION
MVC30P2-CH	Delridge 30in. Modular vanity combo 2Pc - Chocolate
MVC30P2-FG	Delridge 30in. Modular vanity combo 2Pc - Flagstone
MV30P2X-CH	Delridge 30in W x 19in D x 35in H Vanity in Chocolate with Solid Surface Vanity Top in Caramel

REV	ECOR	DESCRIPTION	REV'D BY DATE	CHK'D BY DATE	APR'D BY DATE
0		New Release	JASV 7/28/16	JASV 7/28/16	JASV 7/28/16



PROPRIETARY AND CONFIDENTIAL
 THE INFORMATION CONTAINED IN THIS DRAWING IS THE
 SOLE PROPERTY OF LAMSON BATHING. IT IS TO BE USED
 ONLY FOR THE PROJECT AND DRAWING ARE SUBJECT TO A WARRANTY
 WITHOUT THE WARRANTY OF MERCHANTABILITY AND FITNESS FOR
 PARTICULAR PURPOSES. REPRODUCTION IS PROHIBITED.

UNLESS OTHERWISE SPECIFIED
 DIMENSIONS ARE IN INCHES
 AND DECIMALS ARE
 1/16" (0.0625")
 UNLESS OTHERWISE SPECIFIED

DESIGNED BY: DAMC 7/9/15
 CHECKED BY: DAMC 7/9/15
 APPROVED BY: DAMC 7/9/15
 SCALE: 1:10
 SIZE: A

TITLE: **DELDRIDGE MODULAR
 30in/MV30P2X-CH**
 PART NO: _____ PAGE 1 OF 1 REV 2