

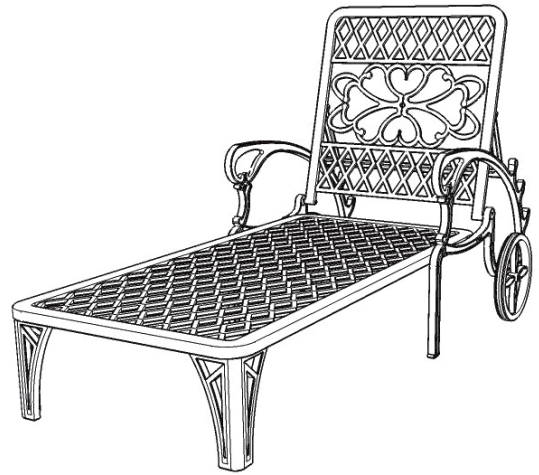
Chaise

IMPORTANT

Carefully remove all the parts from the carton and place them individually on a soft cloth to prevent scratches or other damage.

Carefully and strictly follow these assembly instructions to ensure a completed product as designed.

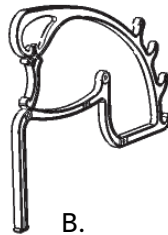
This product is made of aluminum. Do not use power tools above 8 volts to assemble and only tighten bolts until snug. Over tightening can damage the aluminum.



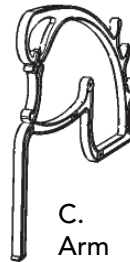
Part List



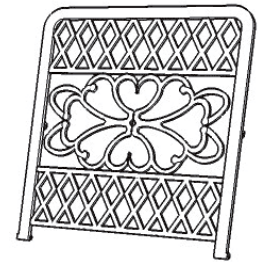
A.
Seat
1 pc.



B.
Arm
1 pc.



C.
Arm
1 pc.



D.
Back
1 pc.



E.
Support
1 pc.

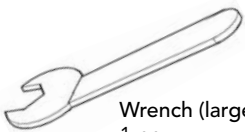


F.
Leg
2 pcs.



G.
Wheel
2 pcs.

Hardware List



Wrench (large)
1 pc.



M8x35
Bolt
6 pcs. (+1 extra)



Flat Washer (medium)
6 pcs. (+1 extra)



Spring Washer (medium)
6 pcs. (+1 extra)



M8
Nut (medium)
6 pcs. (+1 extra)



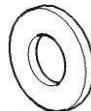
Nut Cap
6 pcs. (+1 extra)



Wrench
1 pc.



Large
Hex Wrench
1 pc.



Flat Washer (large)
2 pcs. (+1 extra)



Spring Washer (large)
2 pcs. (+1 extra)



M10
Nut (large)
2 pcs. (+1 extra)



M8x40
Head Cap Bolt
6 pcs. (+1 extra)



Small
Hex Wrench
1 pc.



M10x78
Wheel Bolt
2 pcs. (+1 extra)



Flat Washer (small)
2 pcs. (+1 extra)



Spring Washer (small)
2 pcs. (+1 extra)



M6
Nut (small)
2 pcs. (+1 extra)



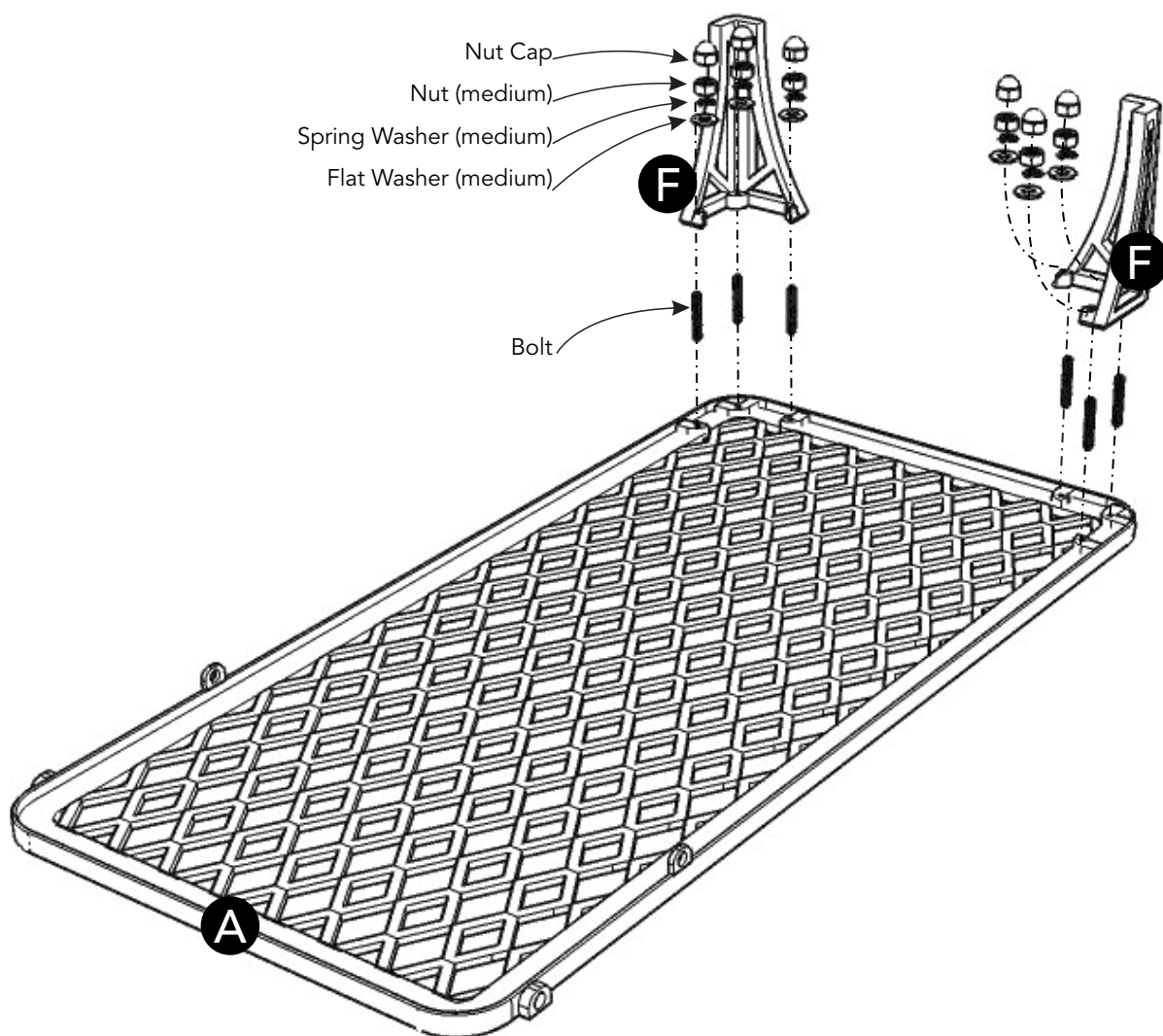
M6x50
Round Head Bolt
2 pcs. (+1 extra)

Tool(s) required for assembly: Slotted screwdriver

Assembly Instructions 2/5

IMPORTANT

- Use a soft cloth between these parts and the floor.
- Do not use power tools above 8 volts to assemble.
- Do not tighten all the bolts until each part is properly assembled.
- The unit must be level to work properly. Use the included adjustable levelers to level.
- Keep Hex Wrench and Wrench as the bolts may need to be tightened in the future.



STEP 1

Insert Bolts into pre-drilled holes in Seat (A), then tighten.
(See Figure 1)

Attach Legs (F) to Seat (A) with Flat Washers (medium),
Spring Washers (medium) and Nuts (medium), tightening
Nuts (medium) only halfway.

Tighten all Nuts (medium).

Cover all Nuts (medium) with Nut Caps.

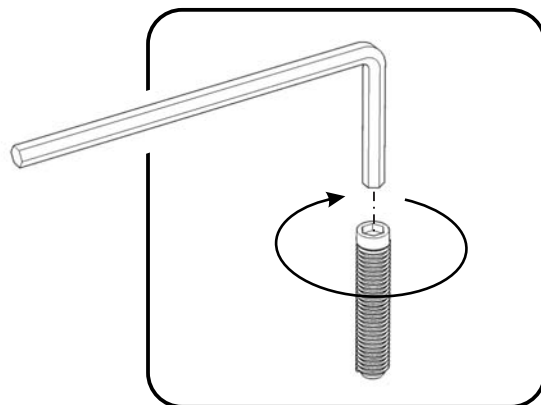


Figure 1

Assembly Instructions 3/5

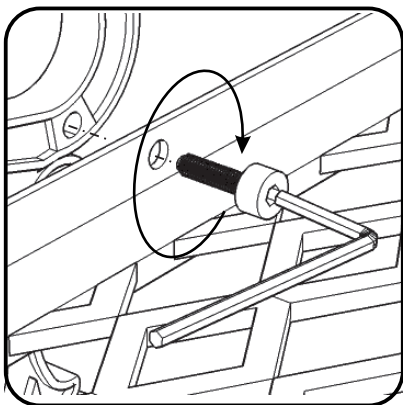
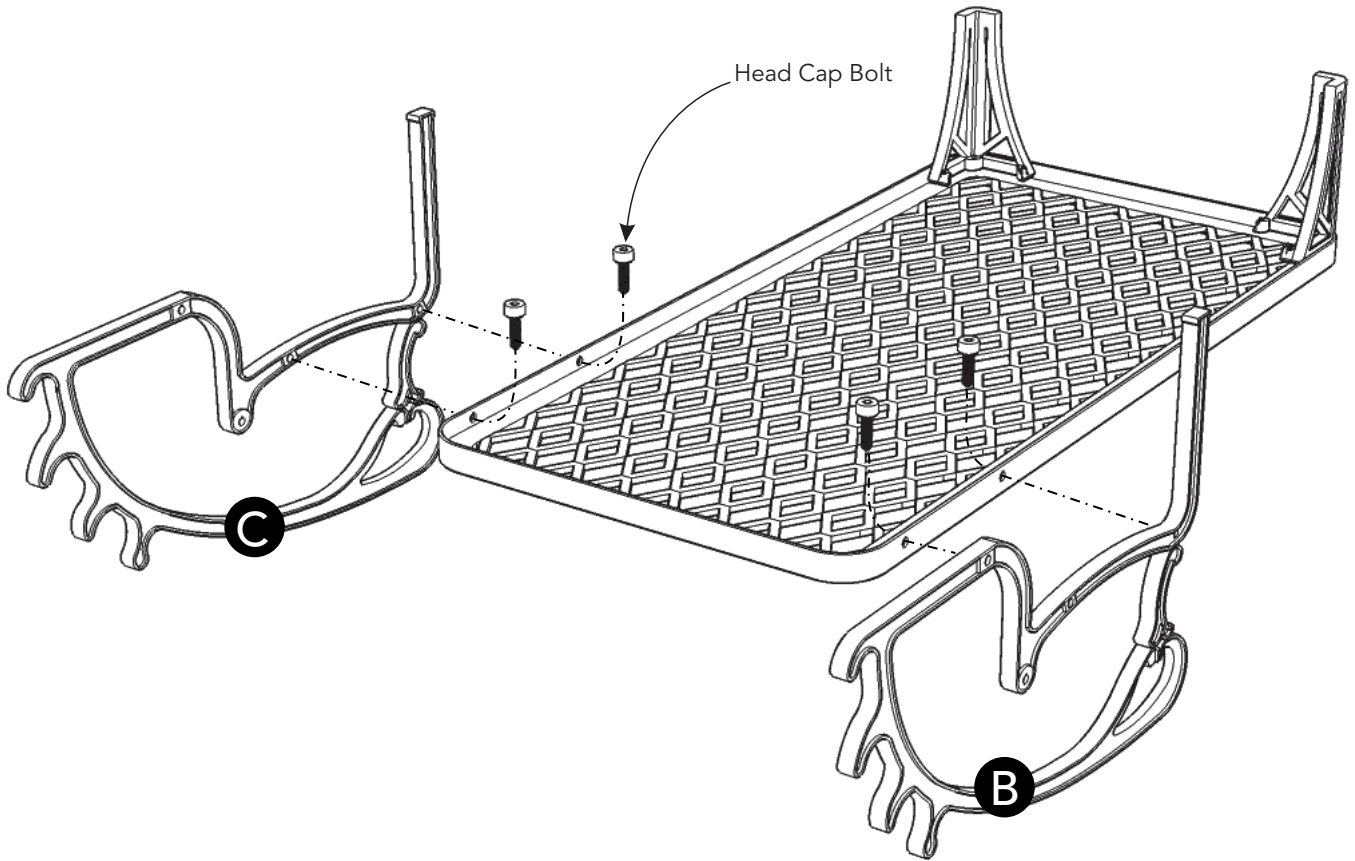


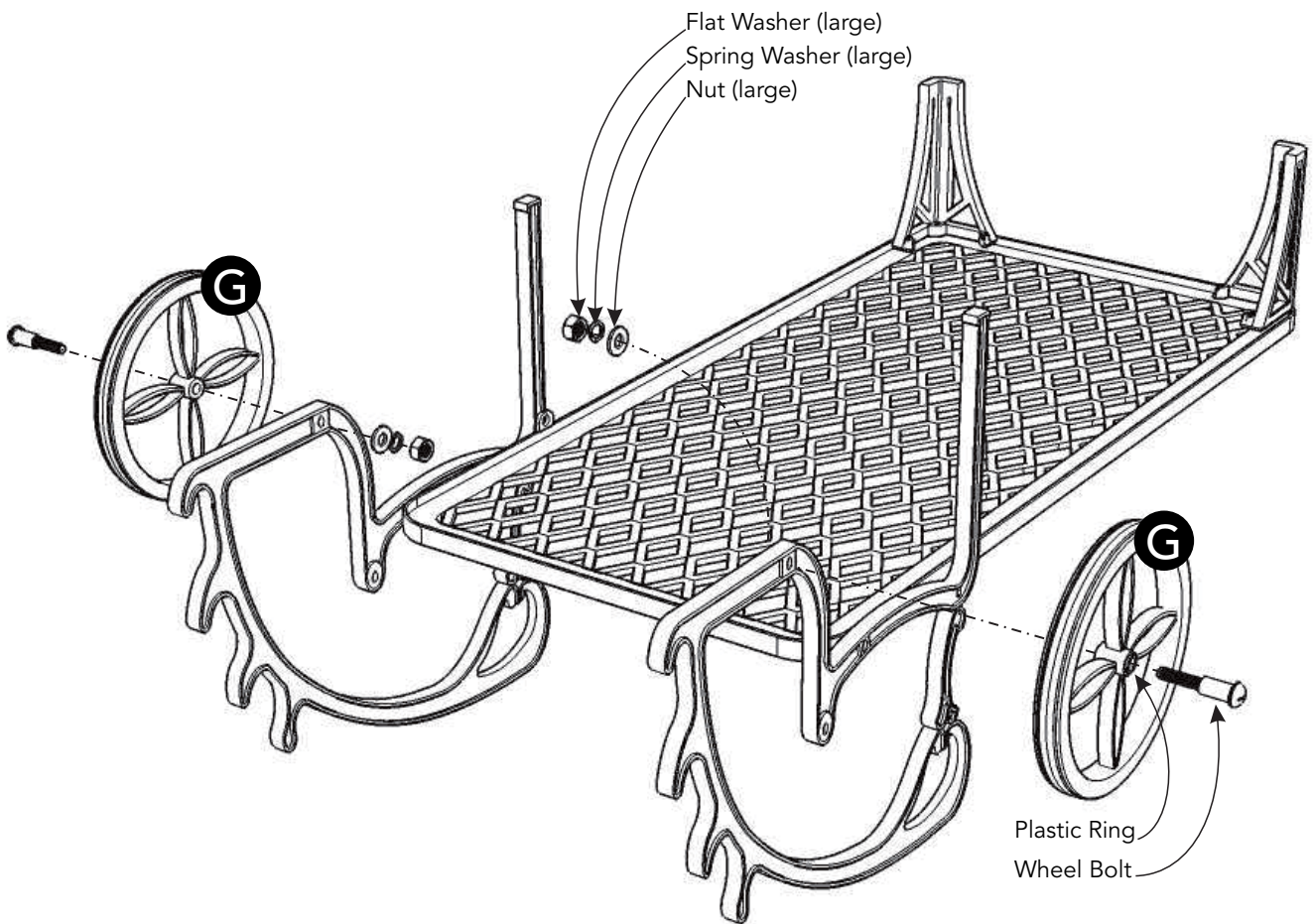
Figure 2

STEP 2

Attach Arms (B) and (C) to unit with Head Cap Bolts, tightening Head Cap Bolts only halfway. (See Figure 2)

Tighten all Head Cap Bolts.

Assembly Instructions 4/5



STEP 3

Orientate Wheels (G) so plastic ring in wheels (G) is to outside, then attach Wheels (G) to unit with Wheel Bolts, Flat Washers (large), Spring Washers (large) and Nuts (large). (See Figure 3)

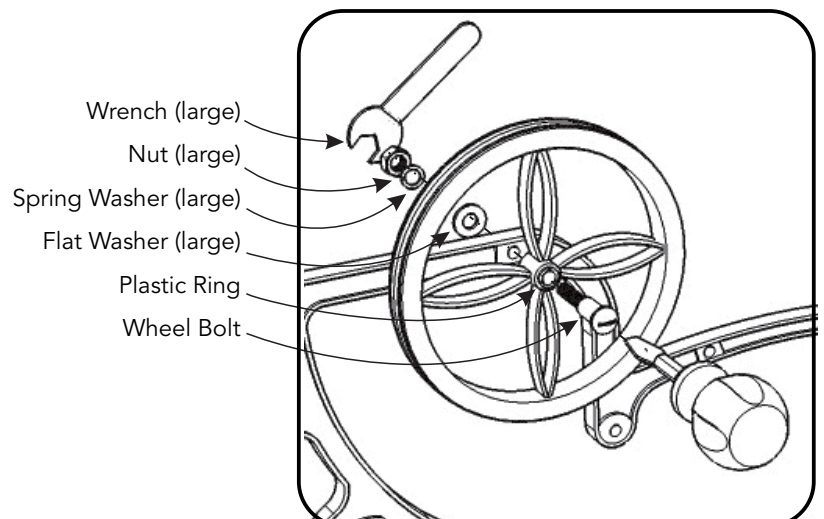
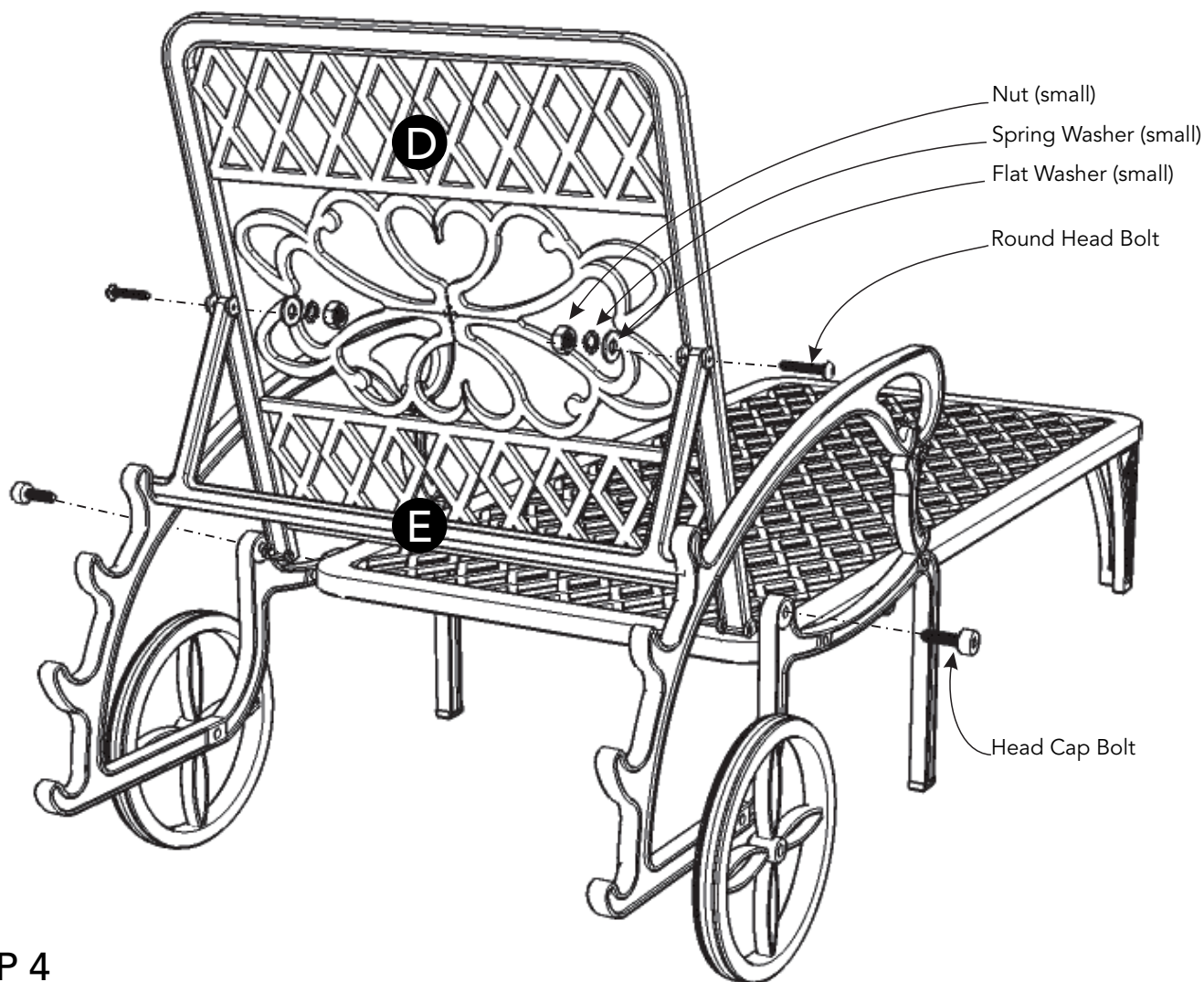


Figure 3

Assembly Instructions 5/5



STEP 4

Turn unit over to its upright position.

Attach Back (D) to unit with Head Cap Bolts, tightening bolts only halfway.

Attach Support (E) to Back (D) with Round Head Bolts, Flat Washers (small), Spring Washers (small) and Nuts (small), tightening Round Head Bolts only halfway.
(See Figure 4)

Tighten all Head Cap Bolts and Round Head Bolts.

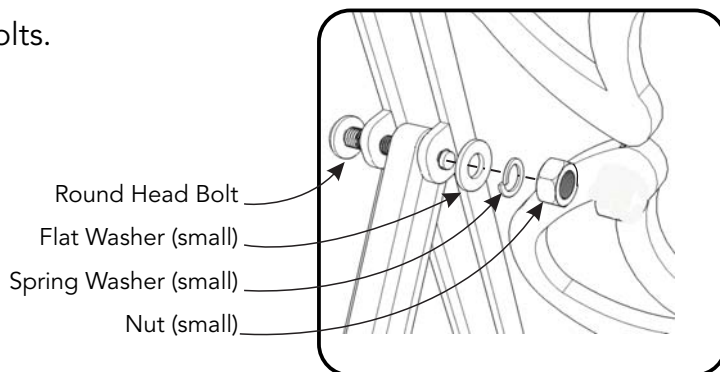


Figure 4

CARE INSTRUCTIONS

NEVER

allow liquids to remain on furniture.
Absorption causes parts to warp
and split and finishes to delaminate.

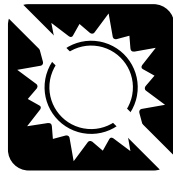
NEVER

use glass cleaners on
finished furniture. Ammonia
chemically attacks the finish.



Do not use power tools
above 8 volts to assemble.

**PREVENT
CRACKING**



Do not place
in direct sunlight.

**PREVENT
FADING**



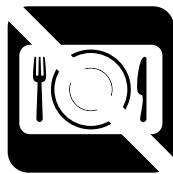
Do not write
directly on surface.

**PREVENT
MARKING**



Do not place hot
objects on surface.

**PREVENT
FINISH DAMAGE**



Do not use rubber
based placemats.

**PREVENT
DISCOLORING**



Do not use commercial
waxes and polishes.

**PREVENT
YELLOWING**

CLEAN

with a soft cloth moistened
in lukewarm soap and water.
Buff with a dry clean cloth.



Home Styles will provide replacements free of charge for missing or damaged hardware or parts within 30 days of purchase. Digital images of the defective parts may be required. If the product was not purchased from an authorized retail affiliate, Home Styles is under no obligation to provide replacement parts. Parts are not available for fully assembled items nor are parts available for sale. Replacements for missing or damaged hardware or parts may be requested at:

www.homestyles-furniture.com/customer-service/replacement-parts

Home Styles Customer Service: www.homestyles-furniture.com,
servicedesk@homestyles-furniture.com, 888-680-7460, 877-831-0319