

Features

- Two-function pull-down sprayhead allows you to switch from aerated stream to Sweep® spray.
- Sweep® spray is a wide, powerful blade of water that sweeps your dishes and sink clean.
- DockNetik® magnetic docking system securely locks the sprayhead into place when not in use.
- ProMotion® technology's light, quiet braided hose and swiveling ball joint make the pull-down sprayhead easier and more comfortable to use.
- MasterClean™ sprayface features an easy-to-clean surface that withstands mineral buildup.
- High-arch spout offers vertical clearance for tall cookware and pitchers.
- Single lever handle makes adjusting water temperature easy.
- KOHLER ceramic disc valves exceed industry longevity standards for a lifetime of durable performance.
- 1.5 gpm (5.7 lpm) maximum flow rate at 60 psi (4.14 bar).
- Box includes: Assembled faucet, supply lines, soap/lotion dispenser, and escutcheon plate.

Material

- Premium metal construction for durability and reliability.
- Select KOHLER finishes feature ScratchShield® technology which withstands even the toughest daily use.

Installation

- Installs with 1-, 2-, 3-, or 4- hole sink (escutcheon plate included).
- Flexible supply lines and quick-connect fittings simplify installation.
- Longer shank works with countertops up to 2½" inches thick and is easy to install.

Recommended Products/Accessories

K-23723 Faucet cleaner



ADA

CSA B651

Codes/Standards

ASME A112.18.1/CSA B125.1

NSF/ANSI 61

NSF/ANSI 372

All applicable US Federal and State material regulations

DOE - Energy Policy Act 1992

California Energy Commission (CEC)

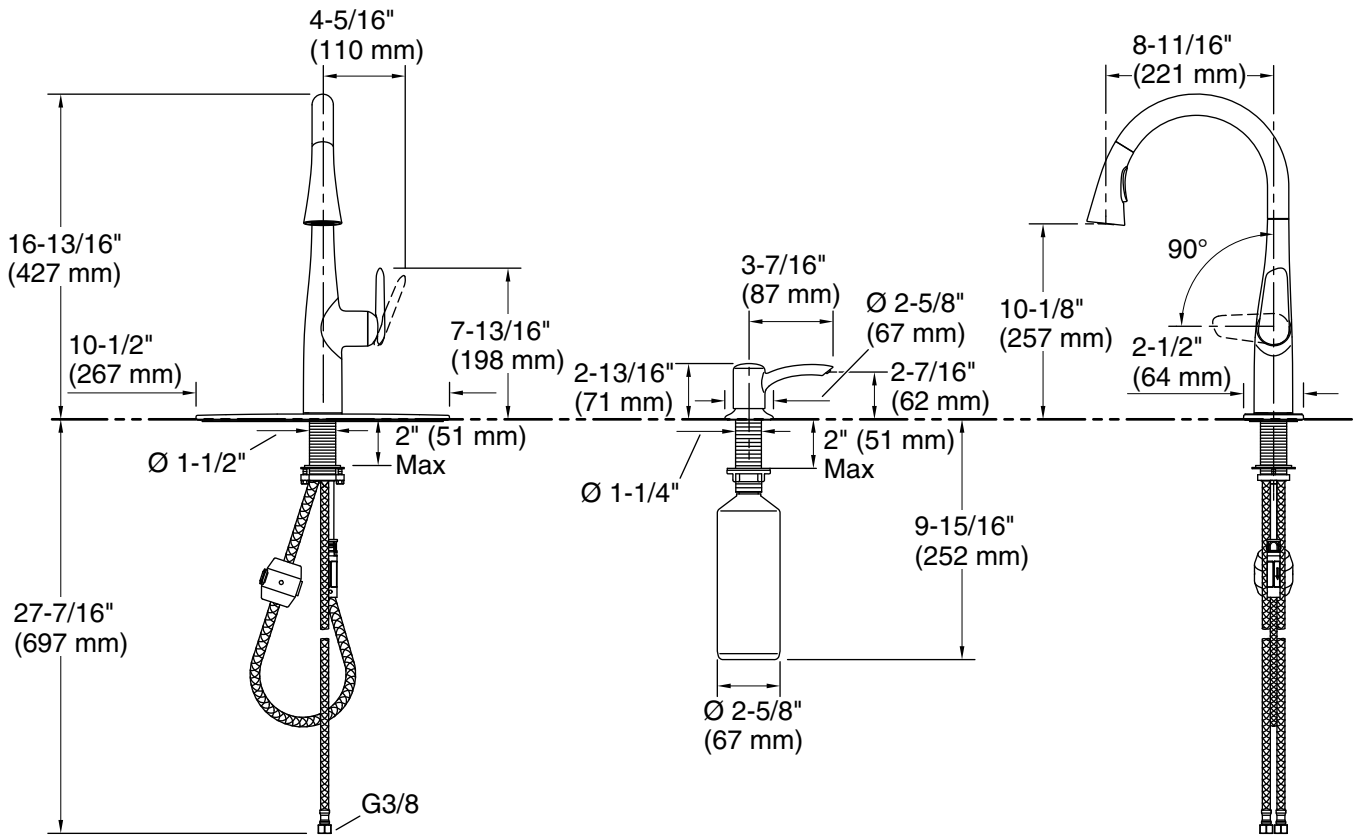
ADA

ICC/ANSI A117.1

CSA B651

KOHLER® Faucet Lifetime Limited Warranty

See website for detailed warranty information.



Technical Information

All product dimensions are nominal.

Notes

ADA, CSA B651 compliant when installed to the specific requirements of these regulations.