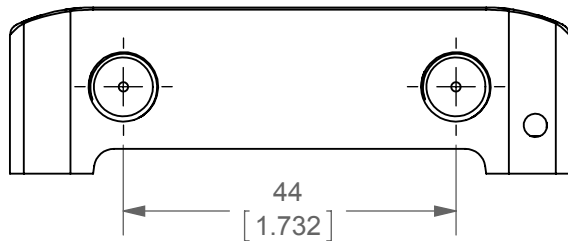
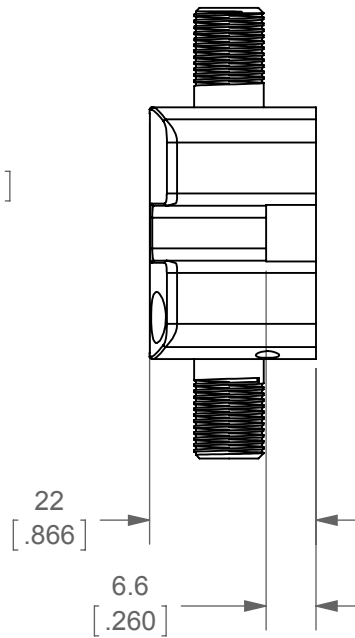
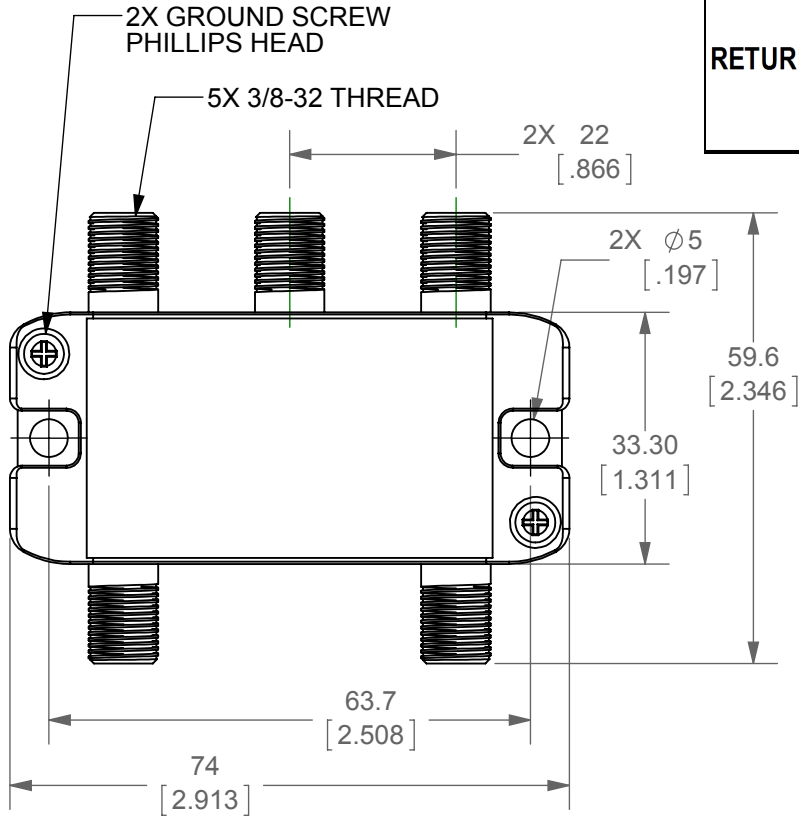



PARAMETER	FREQUENCY	TYP (dB)	QC (dB)
	RANGE (MHz)		
INSERTION LOSS (IN-OUT)	5 - 40	7.9	8.0
	40 - 1000	8.4	8.5
	1000 - 2050	10.9	11
	2050 - 2400	11.9	12
ISOLATION (OUT-OUT)	5 - 40	19	18
	40 - 1000	21	20
	1000 - 2050	21	20
	2050 - 2400	21	20
RETURN LOSS	5 - 40	11	10
	40 - 1000	13	12
	1000 - 2050	13	12
	2050 - 2400	11	10



**NOTES:**

1. PRIMARY DIMENSIONS ARE IN mm.
2. SECONDARY DIMENSIONS ARE IN in.
3. EMI-RFI > -80dB.
4. FREQUENCY RANGE: 5 - 2400MHz.

				TITLE: 4-WAY SATELLITE DIGITAL CABLE SPLITTER					
				P/N: 85-334					
				MAT'L: ZINC CASE					
DO NOT SCALE DRAWING				TOLERANCES UNLESS OTHERWISE SPECIFIED DIMENSIONS ON THIS PRINT ARE FOR REFERENCE ONLY.		PART VOLUME <b>N/A</b>		FINISH: NICKEL PLATING	
SCALE: 1:1		DRW. BY: RWS		CKDBY: RWS		APP. BY: RWS			
 <b>IDEAL INDUSTRIES, INC.</b> SYCAMORE, ILLINOIS, U.S.A.				DATE: 3-28-13		DRWG. NO. CD-85-334			