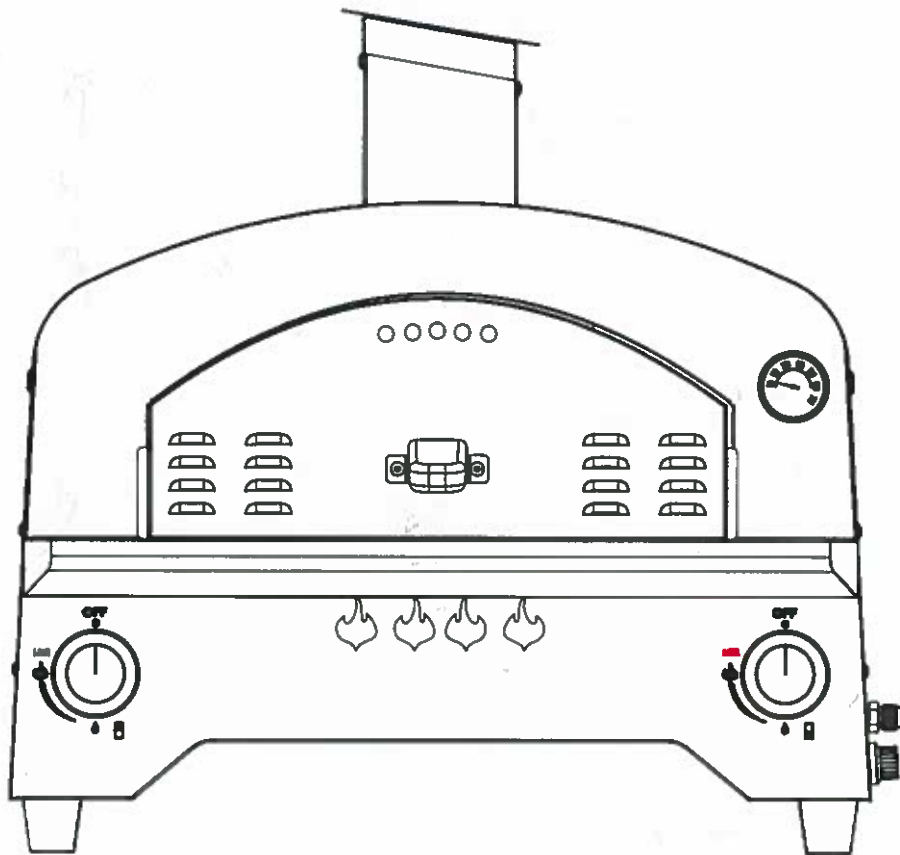




# OWNER'S MANUAL



## PORTABLE TABLETOP GAS PIZZA OVEN

MODEL: YSN-SSPZG

Date of purchase: \_\_\_\_/\_\_\_\_/\_\_\_\_



PLEASE KEEP THIS MANUAL FOR FUTURE REFERENCE

## TABLE OF CONTENT:

For Your Safety.....	1
Explosive view.....	3
Assembly Instructions.....	4
Connecting/Disconnecting LP Gas Cylinder.....	6
Leakage Test.....	7
Lighting Instructions.....	7
Shutdown Instructions.....	8
Maintenance.....	8
Troubleshooting.....	8

### DANGER

**If you smell gas:**

- **Shut off gas to the appliance.**
- **Extinguish any open flame.**
- **Open lid.**
- **If odor continues, keep away from the appliance and immediately call your fire department.**

**Failure to follow these instructions could result in fire or explosion which could cause property damage, personal injury or death.**

### DANGER

- **Never operate this appliance unattended.**
- **Never operate this appliance within 10 ft (3.0 m) of any structure, combustible material or other gas cylinder.**
- **Never operate this appliance within 25 ft (7.5 m) of any flammable liquid.**
- **If a fire should occur, keep away from the appliance and immediately call your fire department. Do not attempt to extinguish an oil or a grease fire with water.**

**This instruction manual contains important information necessary for the proper assembly and safe use of the appliance.**

**Read and follow all warnings and instructions before assembling and using the appliance.**

**Follow all warnings and instructions when using the appliance.**

**Keep this manual for future reference.**

## FOR YOUR SAFETY

### FOR OUTDOOR USE ONLY!

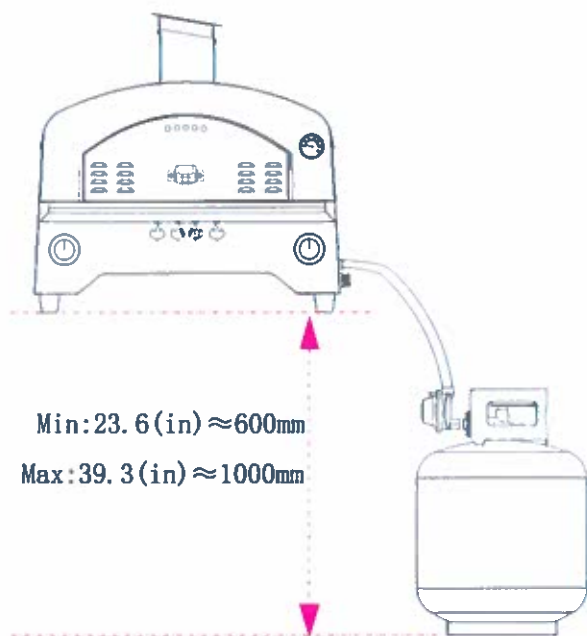
Never use this appliance in a building, garage or any other enclosed area.

This appliance is not intended to be installed in or on a boat or recreational vehicle.

The appliance is not intended for commercial use.

This appliance is for use with liquid propane (LP) gas only. The conversion to or attempted use of natural gas in this appliance is dangerous and will void your warranty.

Clean and inspect the hose before each use of the appliance. If there is evidence of abrasion, wear, cuts, or leaks, the hose must be replaced prior to the appliance being put into operation. The replacement hose assembly shall be that specified by the manufacturer.



Minimum clearance from sides and back of unit to combustibles construction, 24 inches from sides and 24 inches from back.

Do not use this appliance under overhead combustibles surfaces.

Place and use the appliance at a tabletop with a height: Min. 23.6 in (600 mm), Max. 39.3 in (1,000 mm).

Place and use max. 20 lb LP gas supply cylinder at the side of the appliance, which neither cause high tension to the hose, nor possible cause tripping hazard.

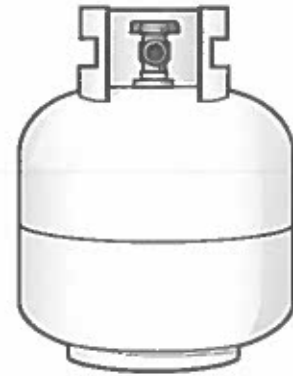
Caution: Keep the fuel supply hose away from any heated surface(s)

**⚠ CAUTION:** The gas pressure regulator provided with this appliance must be used. Replace only with gas pressure regulator that specified by the manufacturer.

The LP gas supply cylinder to be used must be constructed and marked in accordance with the specifications for LP gas cylinders, U.S. Department of Transportation (DOT) or the Standard for Cylinders, Spheres and Tubes for the Transportation of Dangerous Goods, CAN/CSA-B339.

Use only max 20 lb LP gas supply cylinder.

20 lb LP gas supply cylinder: 18-1/4" (45.6 cm) high, 12-1/4"(32 cm) diameter.



LP gas supply cylinder must be placed in upright position for vapor withdrawal.

- a) do not store a spare LP gas cylinder under or near this appliance;
- b) never fill the cylinder beyond 80 percent full;
- c) if the instructions in (a) and (b) above are not followed exactly, a fire causing death or serious injury may occur.

If the appliance is not in use, the gas must be turned off at the supply cylinder.

Storage of an appliance indoors is permissible only if the cylinder is disconnected and removed from the appliance.

Cylinders must be stored outdoors out of the reach of children and shall not be stored in a building, garage, or any other enclosed area.

Place dust cap on cylinder valve outlet whenever the cylinder is not in use. Only install the type of dust cap on the cylinder valve outlet that is provided with the cylinder valve. Other types of caps or plugs may result in leakage of propane.

**WARNING:**

The use of alcohol, prescription or non-prescription drugs may impair the consumer's ability to properly assemble or safely operate the appliance.

Do not leave the appliance unattended. Keep children and pets away from the appliance at all times.

Do not move the appliance when in use.

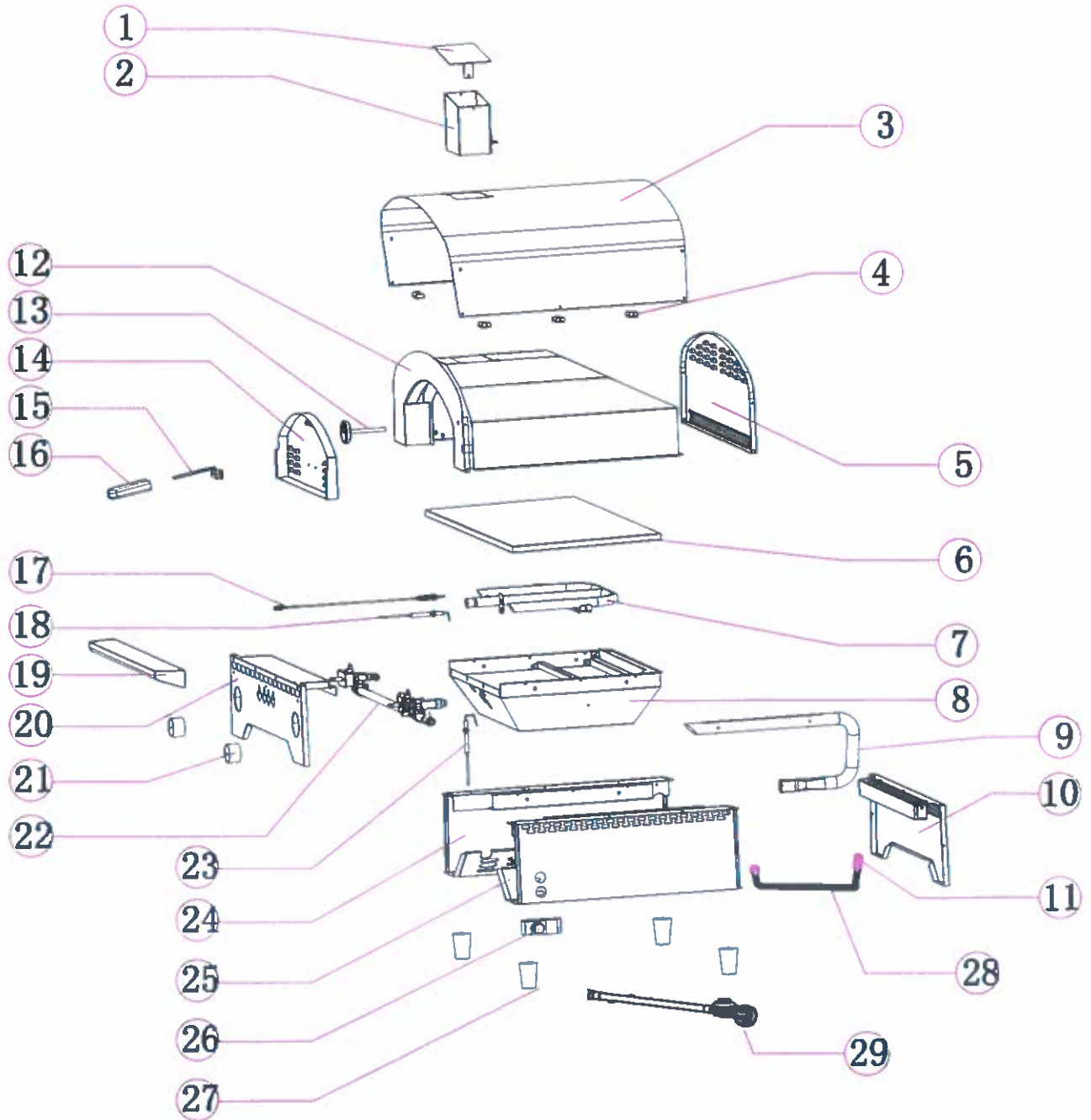
This appliance is not intended for and should never be used as a heater.

This appliance will be hot during and after use. Use insulated oven mitts or gloves for protection from hot surfaces or splatter from cooking liquids.

**CALIFORNIA PROPOSITION 65**

Fuels used in gas or oil fired appliances and the products of combustion of such fuels contain chemicals known to the State of California to cause cancer, birth defects or other reproductive harm. This product contains chemicals, including lead and lead compounds, known to the State of California to cause cancer, birth defects or other reproductive harm.

## EXPLOSIVE VIEW



1	Rain cover	16	Firebox cover handle knob
2	Flue gas vent	17	Thermocouple
3	Firebox – outside shell	18	Electrode – Burner - Bottom
4	Firebox outside shell support	19	Front fascia
5	Firebox – Top – Outside rear panel	20	Control panel
6	Pizza plate	21	Burner control knob
7	Burner - Bottom	22	Manifold & gas valves
8	Firebox – Bottom - Inside	23	Electrode – Burner - Top

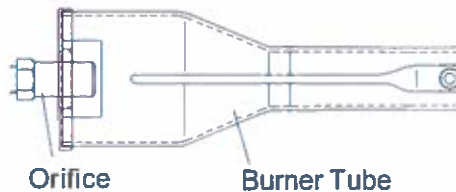
9	Burner - Top	24	Firebox – Bottom – Outside Left
10	Firebox – Bottom – Outside rear	25	Firebox – Bottom – Outside Right
11	Orifice	26	Igniter
12	Firebox – Top - Insides	27	Legs
13	Thermometer	28	Corrugated tube
14	Firebox cover	29	Regulator & hose assembly
15	Firebox cover handle		

Please contact the manufacturer or dealer to obtain replacement parts.

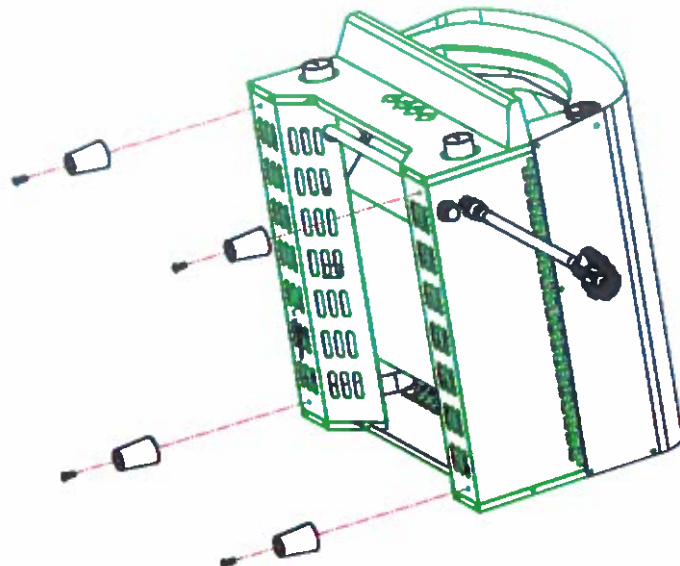
## ASSEMBLY INSTRUCTIONS

The installation must conform with local codes or, in the absence of local codes, with the National Fuel Gas Code, ANSI Z223.1/NFPA 54, Storage and Handling of Liquefied Petroleum Gases, ANSI/NFPA 58; or Natural Gas and Propane Installation Code, CSA B149.1; Propane Storage and Handling, CSA B149.2.

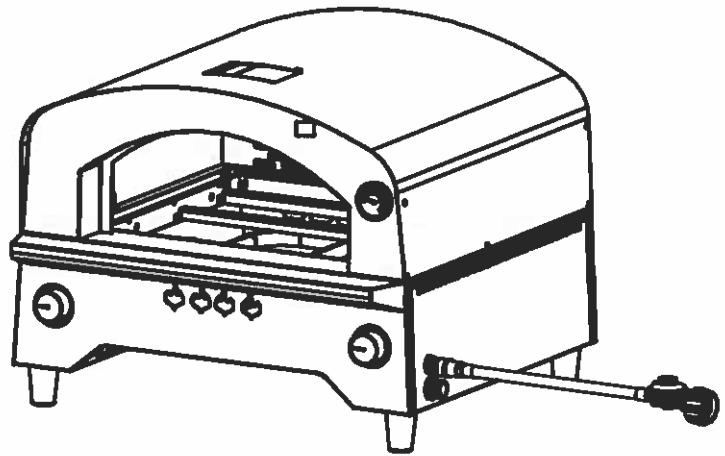
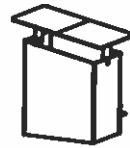
STEP 1: Remove all parts from the carton and lay them out on a smooth, clean surface. Verify all parts are included and without damage. Importance: The orifice shall be properly located in the burner.



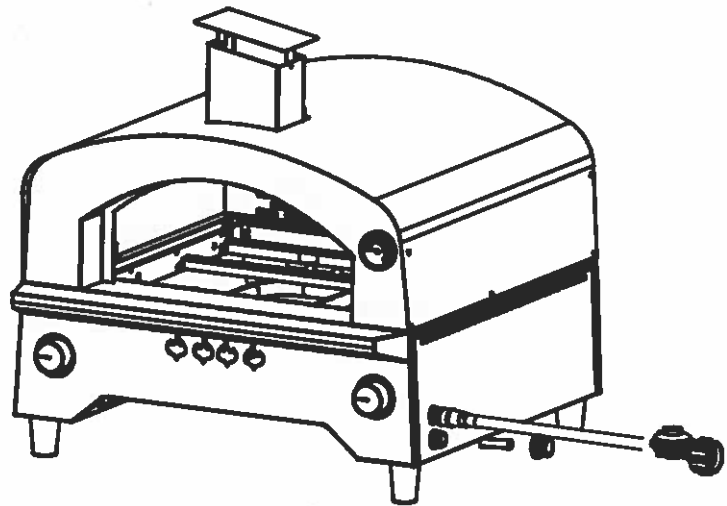
STEP 2: Install legs.



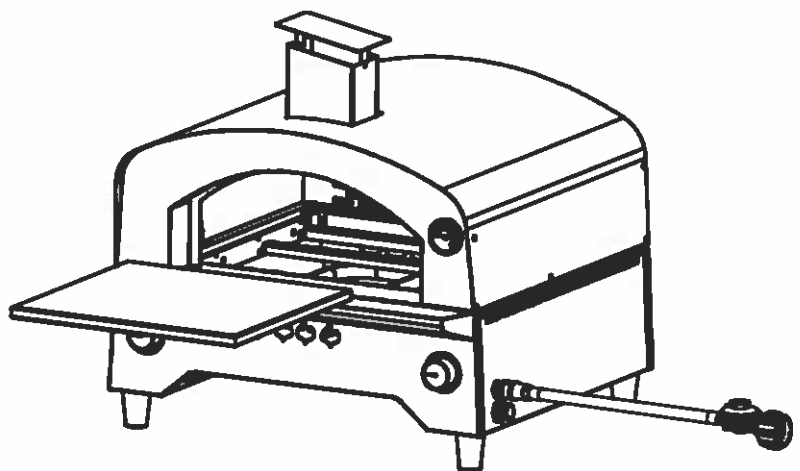
**STEP 3: Install flue gas vent.**



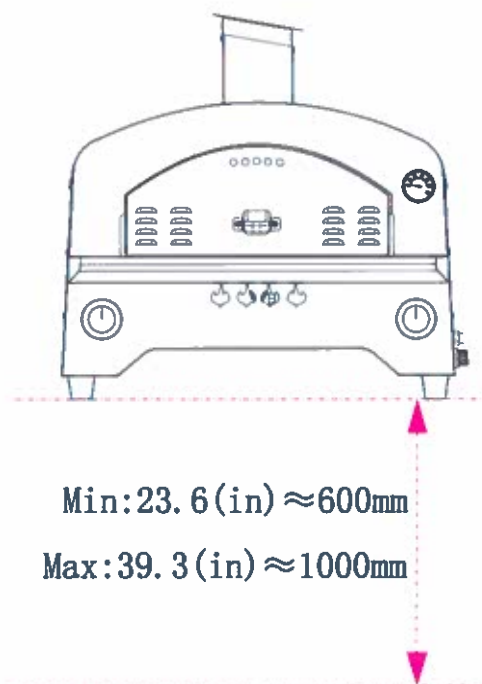
**STEP 4: Remove the igniter cap by turu it counter-clockwise. Insert one AA battery into the igniter body with Positive (+) end facing out. Replace the igniter cap.**



**STEP 5: Place the pizza plate.**

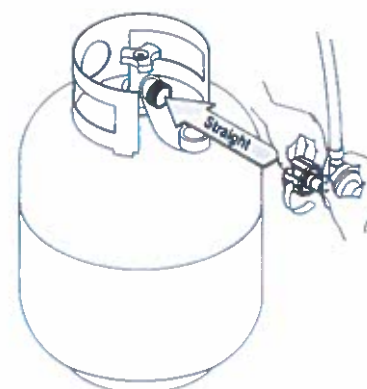


STEP 6: Place the appliance at a tabletop with a height: Min. 23.6 in (600 mm), Max. 39.3 in (1,000 mm).



### Connecting LP Gas Cylinder:

1. Turn the burner control knob to “OFF” position.
2. Remove the protective cap from LP gas cylinder valve.
3. Make sure the cylinder valve will properly and safely mate with the pressure regulator.
4. Hold regulator and insert nipple into LP gas cylinder valve. Be sure the nipple is centered in the valve outlet.
5. Hand-tighten the coupling nut clockwise until it comes to a full stop. Firmly tighten by hand only. Do not use tools.
6. Place LP gas cylinder at the side of the appliance which neither cause high tension to the hose, nor possible cause tripping hazard. Keep the hose away from any heated surface(s).



### Disconnecting LP Gas Cylinder:

1. Turn the burner control knob to “OFF” position
2. Fully close the LP gas cylinder valve by turning clockwise.
3. Turning the coupling nut counterclockwise until the regulator assembly detaches.

After completing of installation, Leakage test shall be conducted before used.



## LEAKAGE TEST:

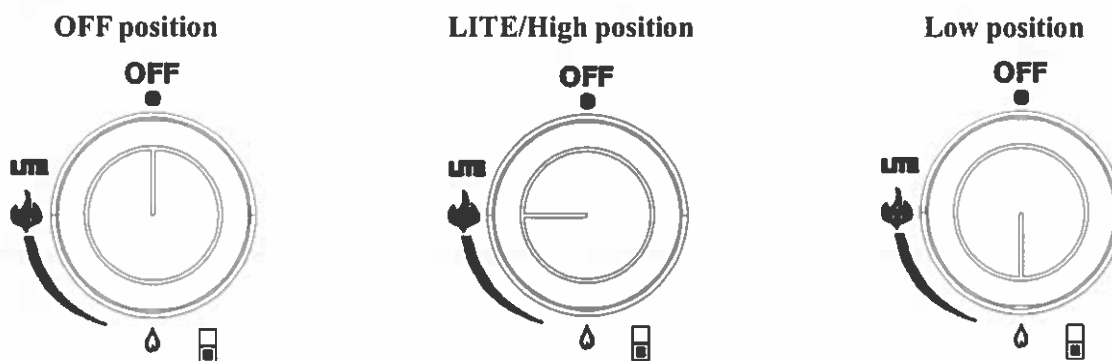
- Do not smoke during leak test.
- Do not use an open flame to check for gas leaks.
- The appliance must be leak tested outdoors in a well-ventilated area, away from ignition sources such as gas fires or electrical appliances. During leak test, keep the appliance away from open flames or sparks.

### Test procedure:

1. Prepare a clean paintbrush and a 50/50 mild soap and water solution
2. Turn the burner control knobs to OFF
3. Be sure the appliance regulator is connected to the LP gas cylinder tightly.
4. Open LP gas cylinder valve by turning counterclockwise.
5. Brush soapy solution onto all gas carrying connections and fittings, if there's bubbles "growing" or you smell or hear gas, fully close the LP gas cylinder valve by turning clockwise immediately, retighten connections and repeat the LEAK TEST.
6. If there's still leaks, call for replacement parts or repair.

## LIGHTING INSTRUCTION

1. Read Instruction before lighting.
2. Make sure control knob is in OFF position.
3. Open cover during lighting.
4. Open LP gas cylinder valve by turning counterclockwise.
5. Push and turn on control knob counterclockwise to LITE position.
6. If ignition does not occur in 5 seconds, turn the burner control(s) off, wait 5 minutes, and repeat the lighting procedure.
7. After burner was lit, continue to push the control knob for 10~20 seconds.
8. Adjust burners to desired cooking settings via turning control knob from High to Low position.



### Match lighting instruction:

1. Read Instruction before lighting.
2. Make sure control knob is in OFF position.
3. Open cover during lighting.
4. Open LP gas cylinder valve by turning counterclockwise.
5. Place a long lit grill lighter or match at least 3 inches long near burner ports through gap of cooking grate
6. Push and turn on control knob counterclockwise to LITE position.
7. If ignition does not occur in 5 seconds, turn the burner control(s) off, wait 5 minutes, and repeat

the lighting procedure.

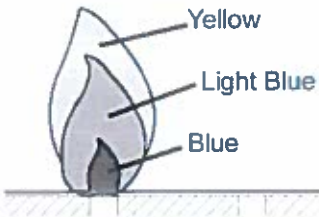
8. After burner was lit, **continue** to push the control knob for 10~20 seconds.
9. Adjust burners to desired **cooking settings** via turning control knob from High to Low position.

## SHUTDOWN INSTRUCTION:

1. Turn control knob clockwise to “OFF” position
2. Fully turn off LP gas cylinder valve by turning cylinder valve counterclockwise by hand, when appliance is not in use.

## MAINTENANCE INSTRUCTION

- Keep appliance area clear and free of any combustible materials, gasoline and other flammable vapors and liquids.
- No obstructing the flow of combustion and ventilation air.
- Check and clean burner/venturi tubes for insects and insect nests. A clogged tube can lead to a fire beneath the appliance.
- To reduce the risk of grease fire, always clean the drip tray and remove any grease from the inside of the appliance using warm soapy water. The outside of the appliances can also be wiped down with warm soapy water.
- Use a brass bristled barbecue brush to scrub the stainless steel cooking grates, not a steel bristled wire brush.
- Visually checking burner flames, flame should be a blue with yellow tipping.



## TROUBLESHOOTING

PROBLEM	POSSIBLE CAUSE	SOLUTION
Burner could not light	Faulty regulator	Have the regulator checked or replaced
	Obstructions in the burner	Clean burner
	Obstructions in gas orifice	Clean orifice
	Electrode is damaged/faulty igniter	Change electrode and wire
	Faulty igniter	Change battery or igniter
Low flame	Empty LP gas cylinder	Use a new LP gas cylinder
	Obstructions in the burner	Clean burner
	Obstructions in gas orifice	Clean orifice