

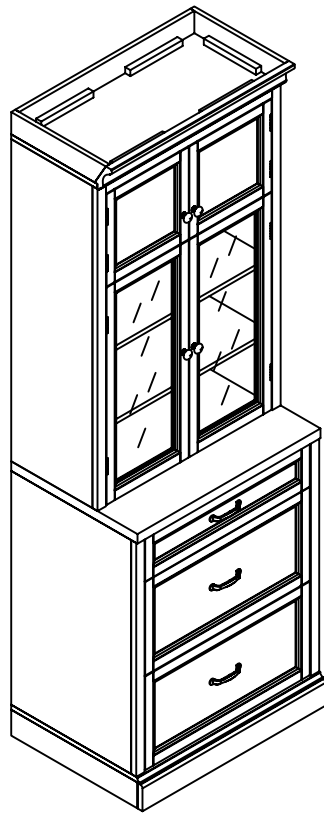
HOME DECORATORS COLLECTION

SK19192B-TW ROYCE FLAT PANEL DRAWER MODULAR CABINET
81.3"Hx27.6"Wx19.6"D

INV#99701

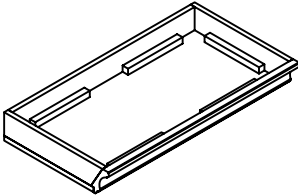
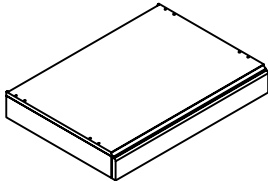
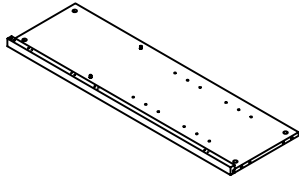
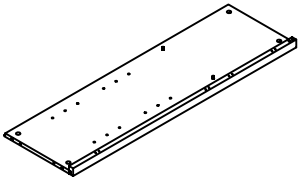
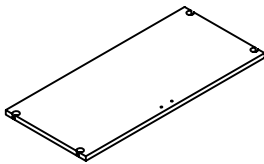
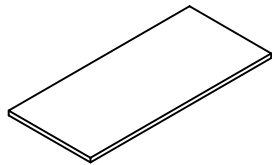
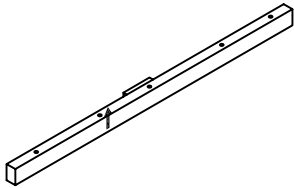
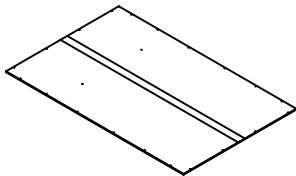
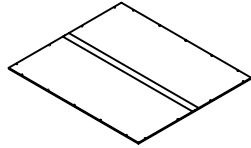
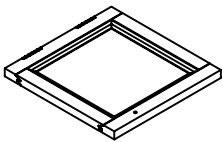
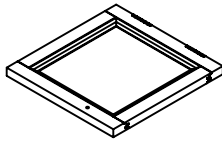
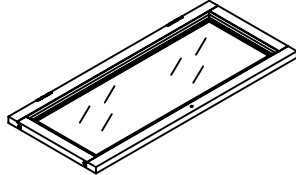
ASSEMBLY INSTRUCTIONS

Made In China

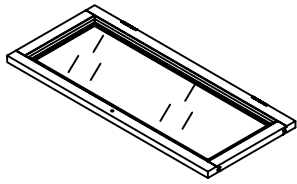


Thank you for purchasing this quality product. Be sure to check all packing material carefully for small parts, which may have come loose inside the carton during shipment. Count all parts and material hardware, then compare with parts list to be sure all parts are present. If any parts are missing or damaged, please contact our Customer Service Department for efficient and speedy service. Please indicate the model number and code letter of part(s) needed.

IMPORTANT NOTE: Follow instructions listed below in proper sequence as numbered to assure fast, easy and correct assembly.

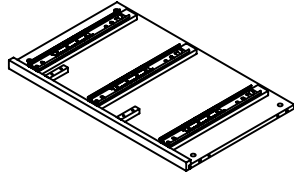
PARTS LIST		
A 	B 	C 
TOP PANEL -1PC	BOTTOM PANEL -1PC	TOP LEFT SIDE PANEL -1PC
D 	E 	F 
TOP RIGHT SIDE PANEL -1PC	TOP FIXED PANEL -1PC	ADJUSTABLE SHELF -2PCS
G 	H 	I 
TOP CROSS BRA -1PC	TOP BACK PANEL -1PC	BOTTOM BACK PANEL -1PC
J 	K 	L 
TOP LEFT DOOR -1PC	TOP RIGHT DOOR -1PC	BOTTOM LEFT DOOR -1PC

M



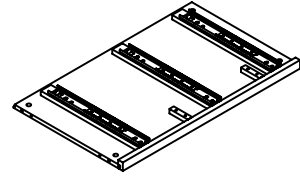
BOTTOM RIGHT DOOR -1PC

N



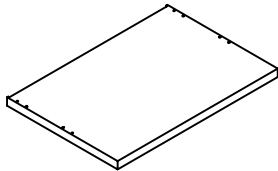
BOTTOM LEFT SIDE PANEL -1PC

O



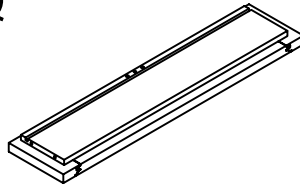
BOTTOM RIGHT SIDE PANEL -1PC

P



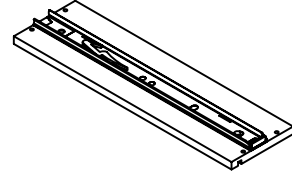
BOTTOM FIXED PANEL -1PC

Q



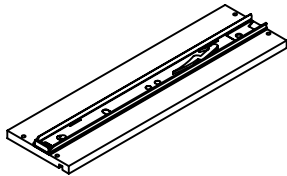
SMALL DRAWER FRONT PANEL -1PC

R



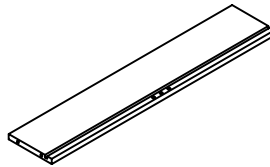
SMALL DRAWER LEFT SIDE PANEL -1PC

S



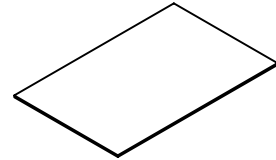
SMALL DRAWER RIGHT SIDE PANEL -1PC

T



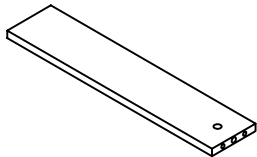
SMALL DRAWER BACK PANEL -1PC

U



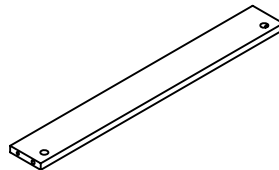
DRAWER BOTTOM PANEL -3PCS

V



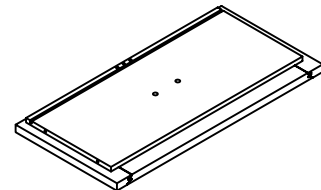
SUPPORT PANEL -3PCS

W



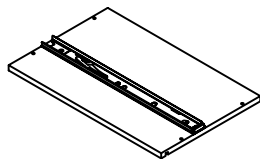
BOTTOM CROSS BRACE -2PCS

X



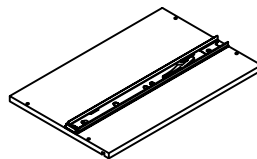
LARGE DRAWER FRONT PANEL -2PCS

Y



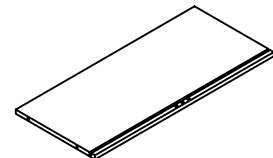
LARGE DRAWER LEFT SIDE PANEL -2PCS

Z



LARGE DRAWER RIGHT SIDE PANEL -2PCS

AA



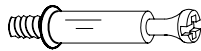
LARGE DRAWER BACK PANEL -2PCS

a



WOOD DOWEL-34PCS

b



CAM LOCK BOLT-23PCS

c



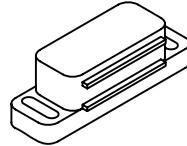
CAM LOCK-23PCS

d



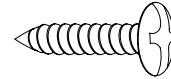
PLASTIC COVER-8PCS

e



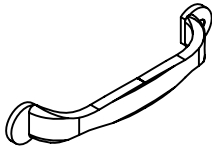
MAGNET-2PCS

f



5/8"L ROUND HEAD SCREW-44PCS

g



HANDLE-3PCS

h



KNOB-4PCS

i



BOLT-10PCS

j



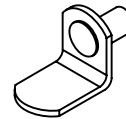
1"L FLAT HEAD SCREW-30PCS

k



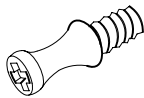
1/2"L FLAT HEAD SCREW-16PCS

l

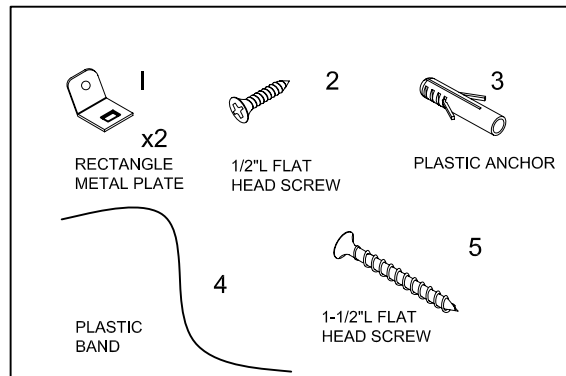


SHELF PIN-8PCS

m



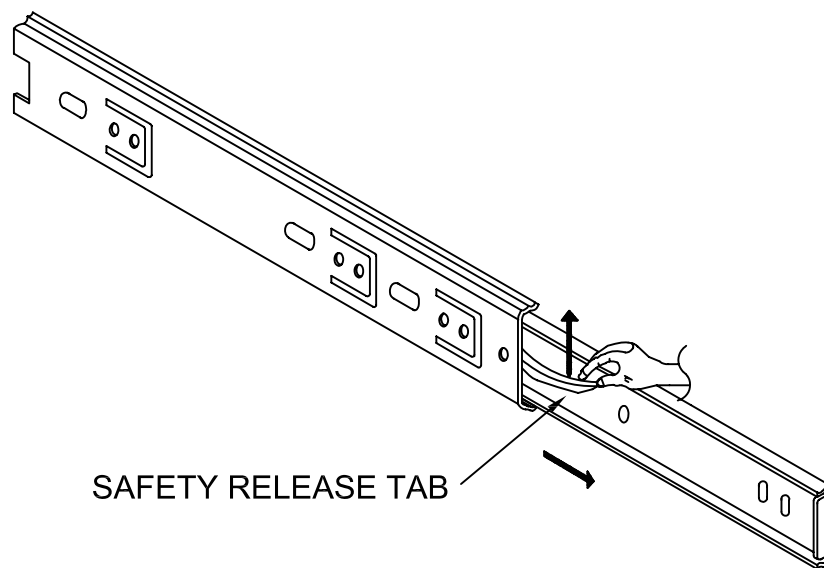
SHORT CAM SCREW-4PCS



ANTI-TIPPING HARDWARE PACKAGE

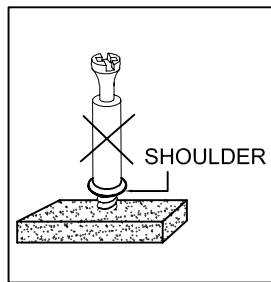
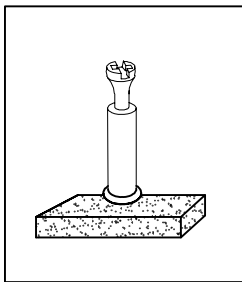
NOTE:THE SURFACE WITH THE STICKER IS THE BACK SIDE

HOW TO SEPARATE GLIDES



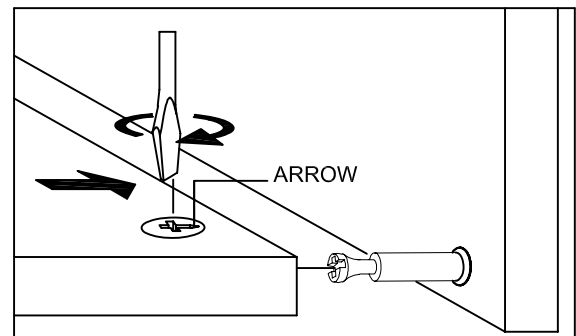
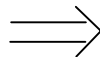
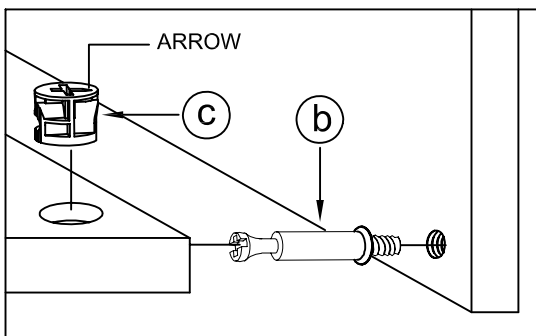
PRIOR TO ASSEMBLY, WE SUGGEST SEPARATING THE INNER GLIDES FROM THE OUTER-GLIDES, SIMPLY PULL THE LEFT/RIGHT INNER GLIDES FROM THE OUTER GLIDES EXPOSING A SMALL BLACK SAFETY RELEASE TAB, BY PUSHING THE SAFETY RELEASE TAB. YOU WILL BE ABLE TO SEPARATE THE GLIDES.

NOTE: • UPON OPENING, THOROUGHLY CLEAN ALL WOOD SURFACES TO REMOVE DUST AND DIRT THAT MAY HAVE SETTLED ONTO THE FINISH DURING SHIPMENT. IN ORDER TO PREVENT DAMAGE DURING ASSEMBLY. PLEASE ASSEMBLE THIS ITEM WITH AT LEAST TWO PEOPLE.



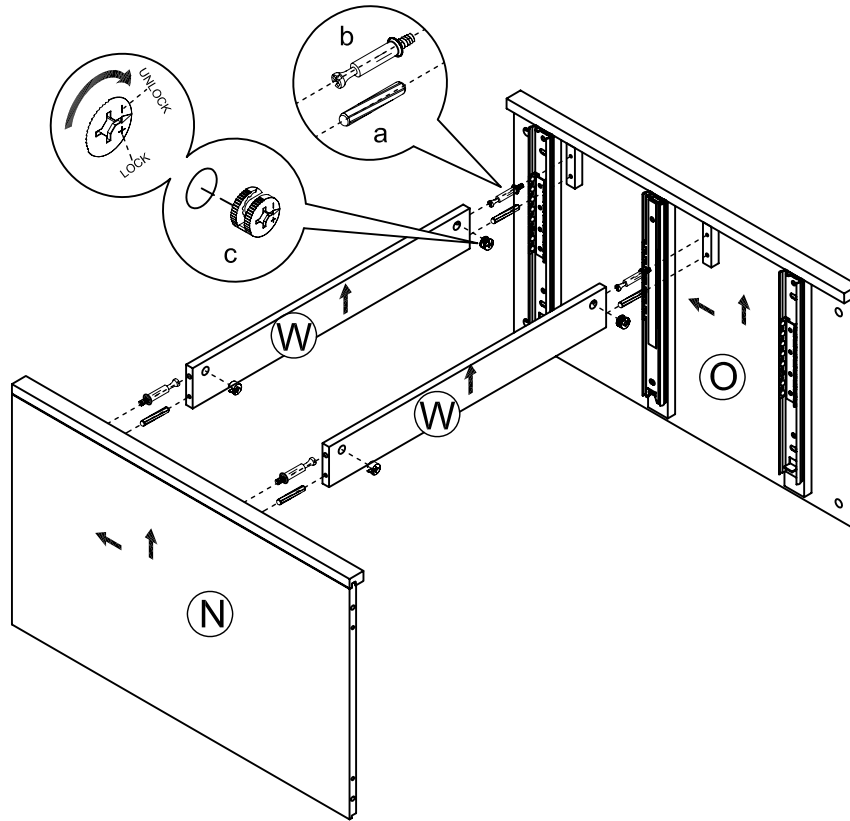
NOTE: TURN THE CAM-BOLT SCREWS UNTIL THEY ARE TIGHT, THE SHOULDER SHOULD BE AGAINST THE SURFACE OF THE PART.

HOW TO USE THE CAM-TOOL



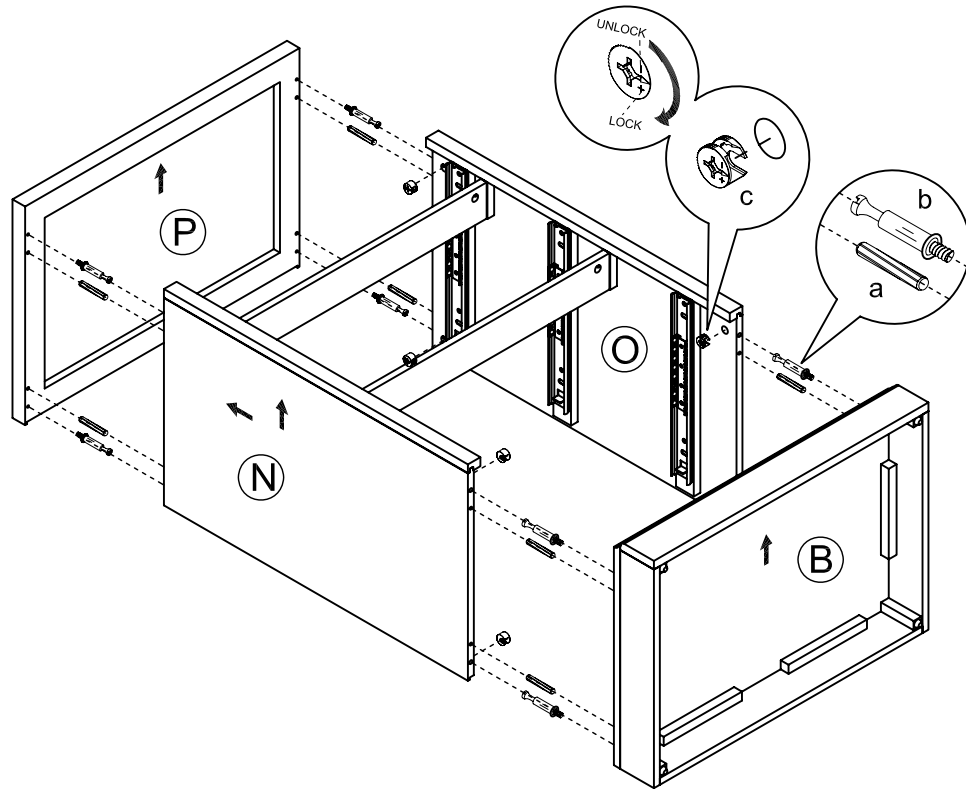
NOTE: • THE ARROWS ON THE HIDDEN CAM-LOCKS SHOULD POINT TO THE CAM-BOLTS.

FIG 1



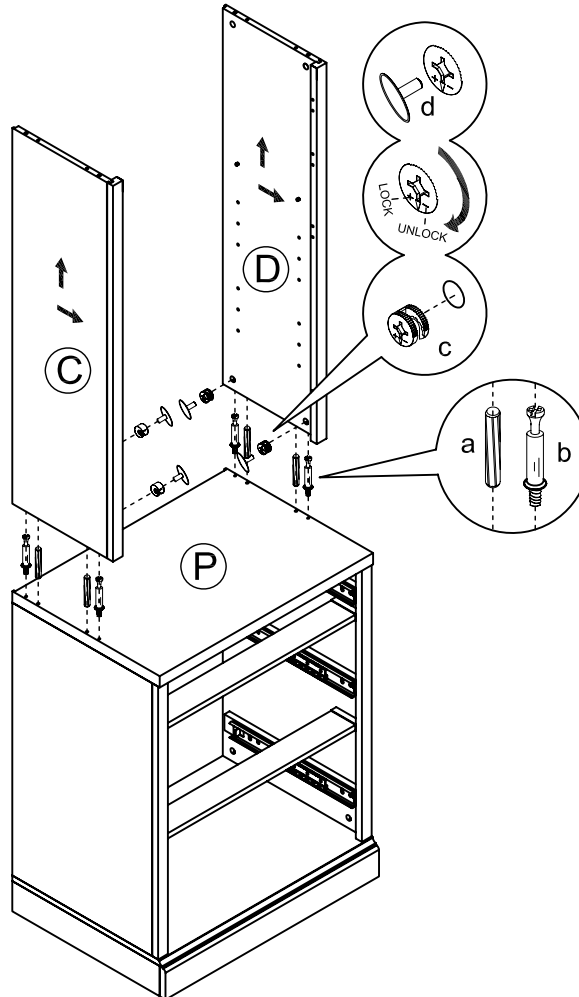
- INSTALL THE WOOD DOWEL (a) AND THE CAM LOCK BOLT (b) INTO THE BOTTOM LEFT SIDE PANEL (N) AND THE BOTTOM RIGHT SIDE PANEL (O) AS SHOWN.
- JOIN THE BOTTOM CROSS BRACE (W) TO THE BOTTOM LEFT SIDE PANEL (N) AND THE BOTTOM RIGHT SIDE PANEL (O) BY USING THE WOOD DOWEL (a) FIRST.
- TIGHTEN CAM LOCK BOLT (b) WITH THE CAM LOCK (c) IN THE PRE-DRILLED HOLES.

FIG 2



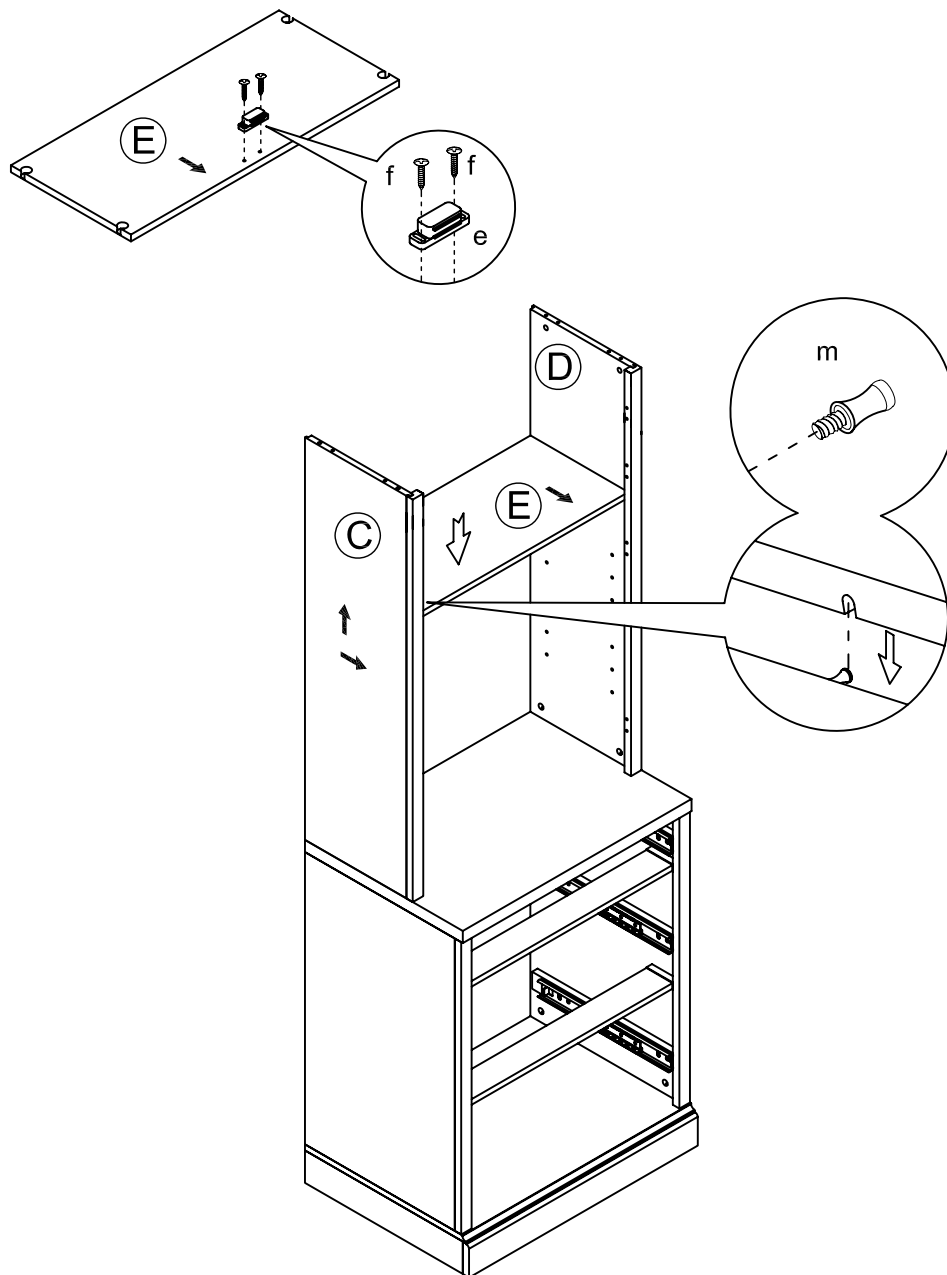
- INSTALL THE WOOD DOWEL (a) AND THE CAM LOCK BOLT (b) INTO THE BOTTOM PANEL (B) AND THE BOTTOM OF THE BOTTOM FIXED PANEL (P) AS SHOWN.
- JOIN THE BOTTOM PANEL (B) AND THE BOTTOM FIXED PANEL (P) TO THE ASSEMBLED PART BY USING THE WOOD DOWEL (a) FIRST.
- TIGHTEN CAM LOCK BOLT (b) WITH THE CAM LOCK (c) IN THE PRE-DRILLED HOLES.

FIG 3



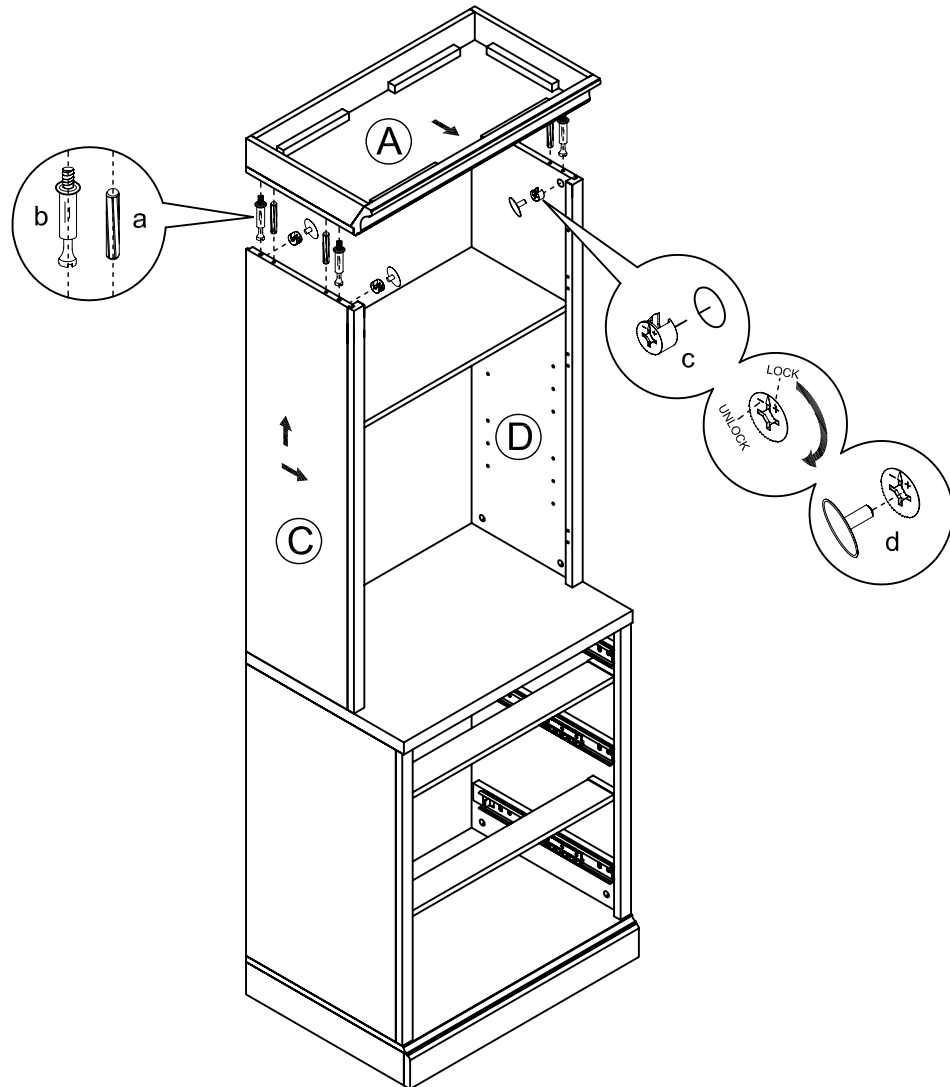
- INSTALL THE WOOD DOWEL (a) AND THE CAM LOCK BOLT (b) INTO THE TOP OF THE BOTTOM FIXED PANEL (P) AS SHOWN.
- JOIN THE TOP LEFT SIDE PANEL (C) AND THE TOP RIGHT SIDE PANEL (D) TO THE ASSEMBLED PART BY USING THE WOOD DOWEL (a) FIRST.
- TIGHTEN CAM LOCK BOLT (b) WITH THE CAM LOCK (c) IN THE PRE-DRILLED HOLES.
- COVER THE CAM HOLES WITH THE PLASTIC COVER (d) AS SHOWN.

FIG 4



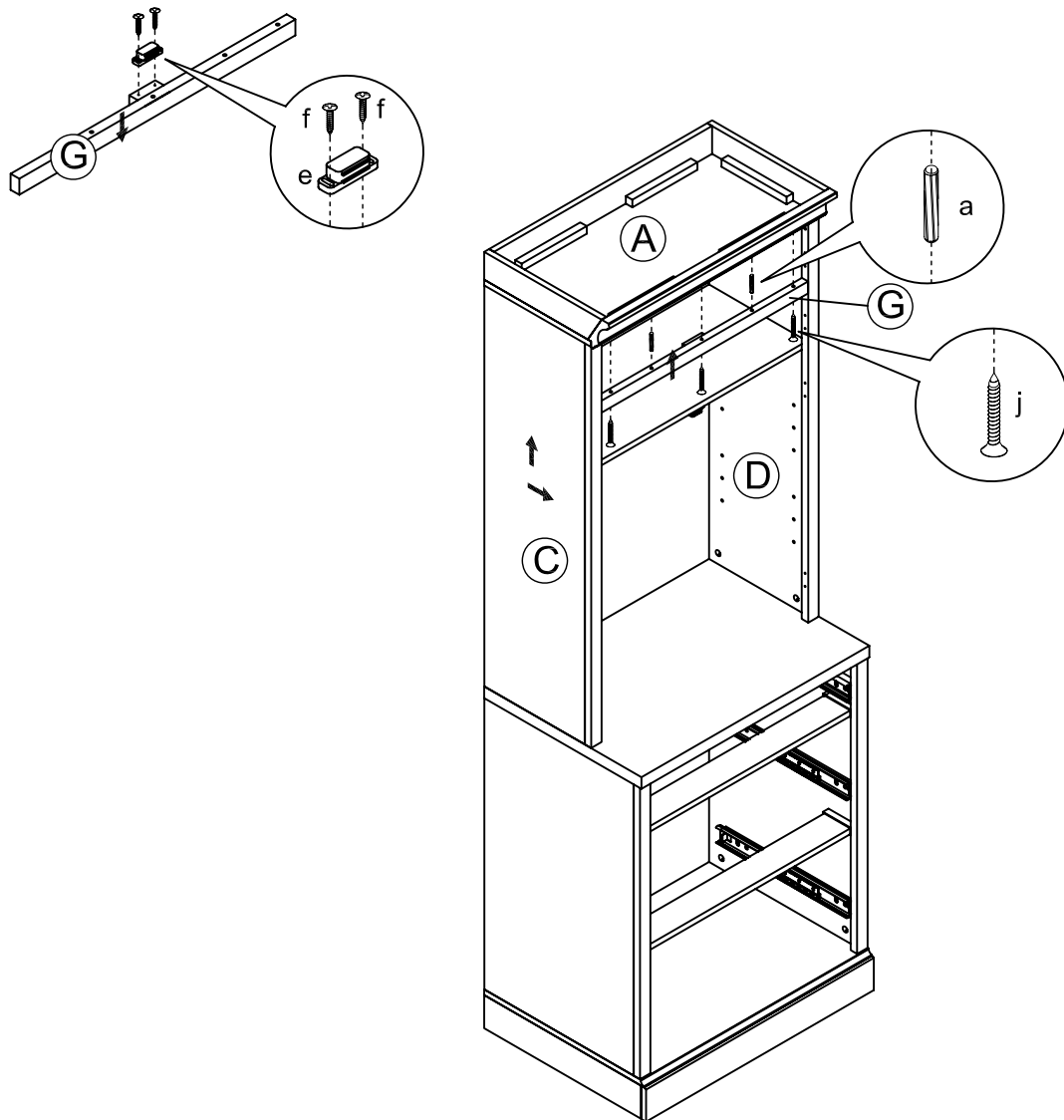
- TIGHTEN THE MAGNET (e) ONTO THE TOP FIXED PANEL (E) BY USING THE 5/8" L ROUND HEAD SCREW (f) AS SHOWN.
- INSTALL THE SHORT CAM SCREW (m) INTO THE TOP LEFT SIDE PANEL (C) AND THE TOP RIGHT SIDE PANEL (D).
- JOIN THE TOP FIXED PANEL (E) TO THE ASSEMBLED PART BY THE CONNECTOR AS SHOWN.

FIG 5



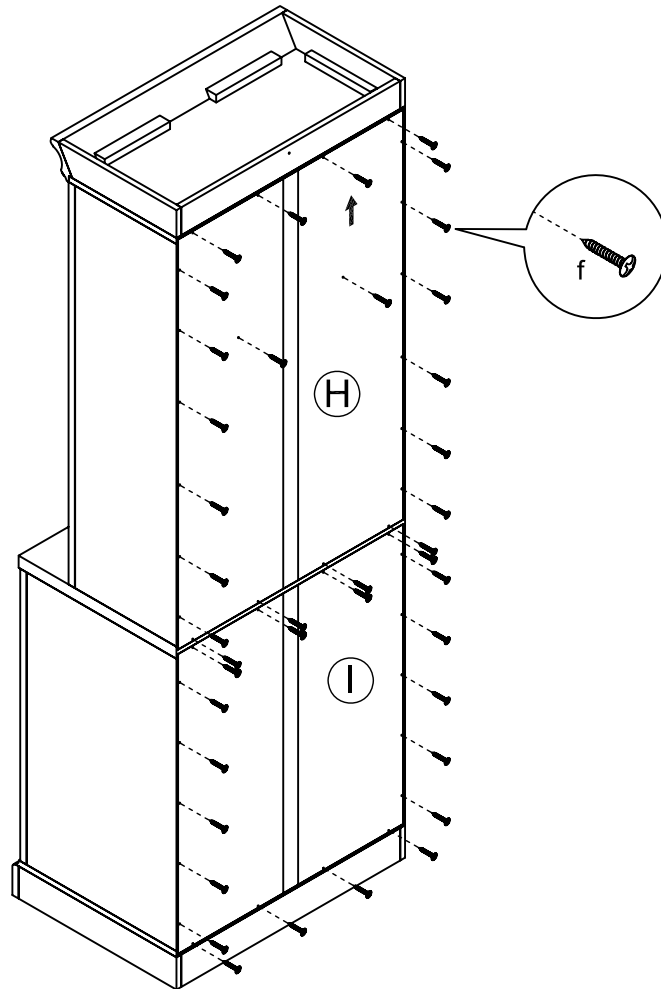
- INSTALL THE WOOD DOWEL (a) AND THE CAM LOCK BOLT (b) INTO THE TOP PANEL (A) AS SHOWN.
- JOIN THE TOP PANEL (A) TO THE ASSEMBLED PART BY USING THE WOOD DOWEL (a) FIRST.
- TIGHTEN CAM LOCK BOLT (b) WITH THE CAM LOCK (c) IN THE PRE-DRILLED HOLES.
- COVER THE CAM HOLES WITH THE PLASTIC COVER (d) AS SHOWN.

FIG 6



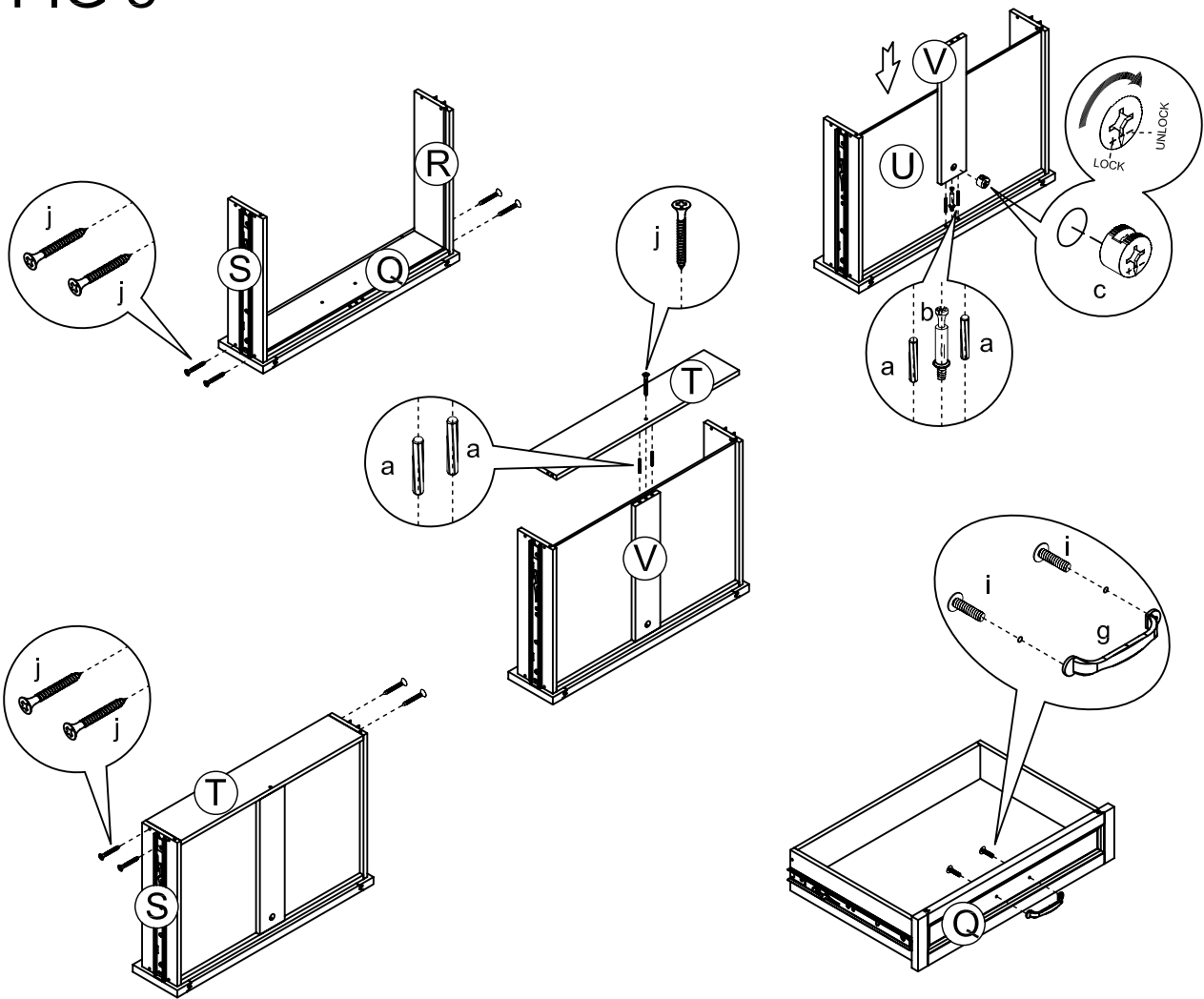
- TIGHTEN THE MAGNET (e) ONTO THE TOP CROSS BAR (G) BY USING THE 5/8" L ROUND HEAD SCREW (f) AS SHOWN.
- JOIN THE TOP CROSS BAR (G) TO THE ASSEMBLED PART BY USING THE WOOD DOWEL (a), TIGHTEN THE TOP CROSS BAR (G) BY USING THE 1"L FLAT HEAD SCREW (j) AS SHOWN.

FIG 7



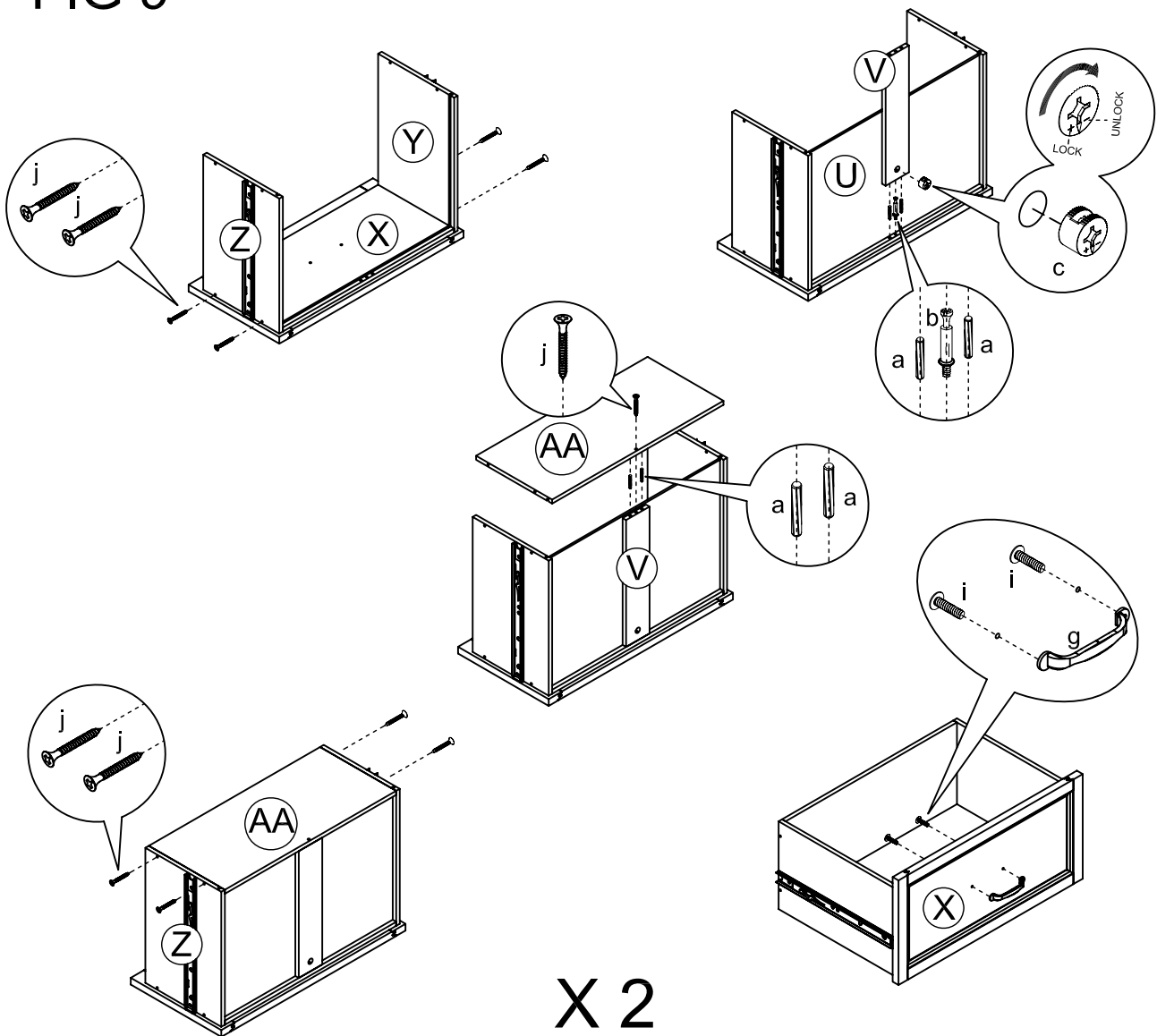
- TIGHTEN THE TOP BACK PANEL (H) AND THE BOTTOM BACK PANEL (I) BY USING THE 5/8" L ROUND HEAD SCREW (f) AS SHOWN.

FIG 8



- TIGHTEN THE SMALL DRAWER LEFT SIDE PANEL (R) AND THE SMALL DRAWER RIGHT SIDE PANEL (S) TO THE SMALL DRAWER FRONT PANEL (Q) BY USING THE 1" L FLAT HEAD SCREW (j).
- INSTALL THE WOOD DOWEL (a) AND THE CAM LOCK BOLT (b) INTO THE SMALL DRAWER FRONT PANEL (Q).
- JOIN THE SUPPORT PANEL (V) TO THE SMALL DRAWER FRONT PANEL (Q) BY USING WOOD DOWEL (a) FIRST.
- TIGHTEN CAM LOCK BOLT (b) WITH THE CAM LOCK (c) IN THE PRE-DRILLED HOLES.
- SLIDE THE DRAWER BOTTOM PANEL (U) INTO THE GROOVES ON THE SMALL DRAWER LEFT SIDE PANEL (R) AND THE SMALL DRAWER RIGHT SIDE PANEL (S).
- TIGHTEN THE SMALL DRAWER BACK PANEL (T) TO THE ASSEMBLED PART BY USING THE 1" L FLAT HEAD SCREW (j) AND THE WOOD DOWEL (a) AS SHOWN.
- TIGHTEN THE HANDLE (g) TO THE SMALL DRAWER FRONT PANEL (Q) BY USING THE BOLT (i).

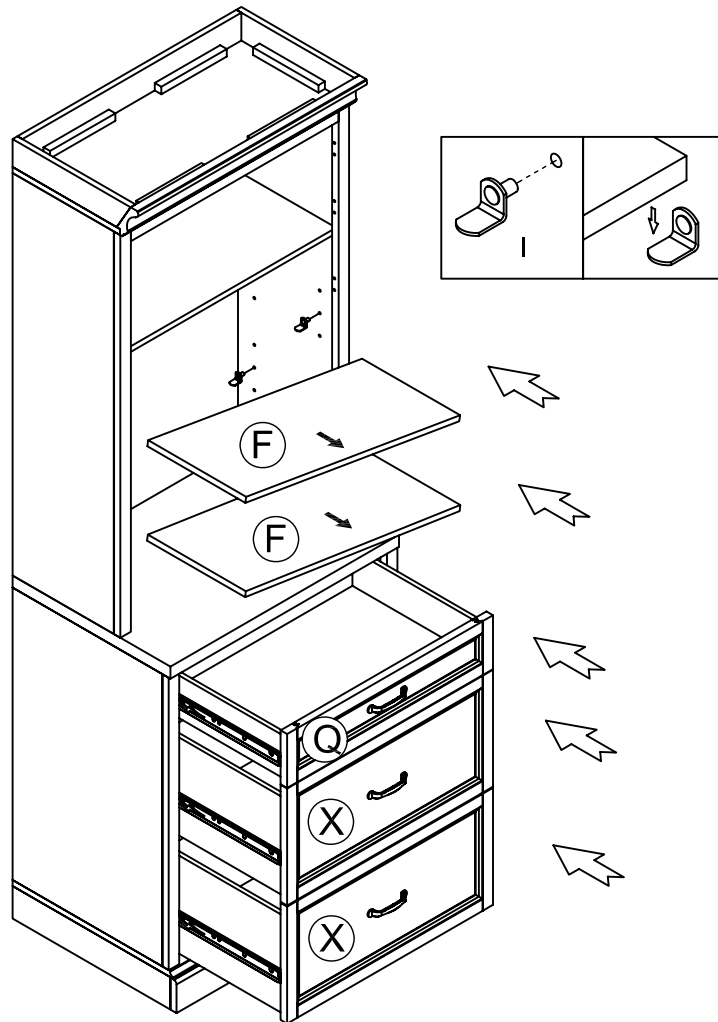
FIG 9



X 2

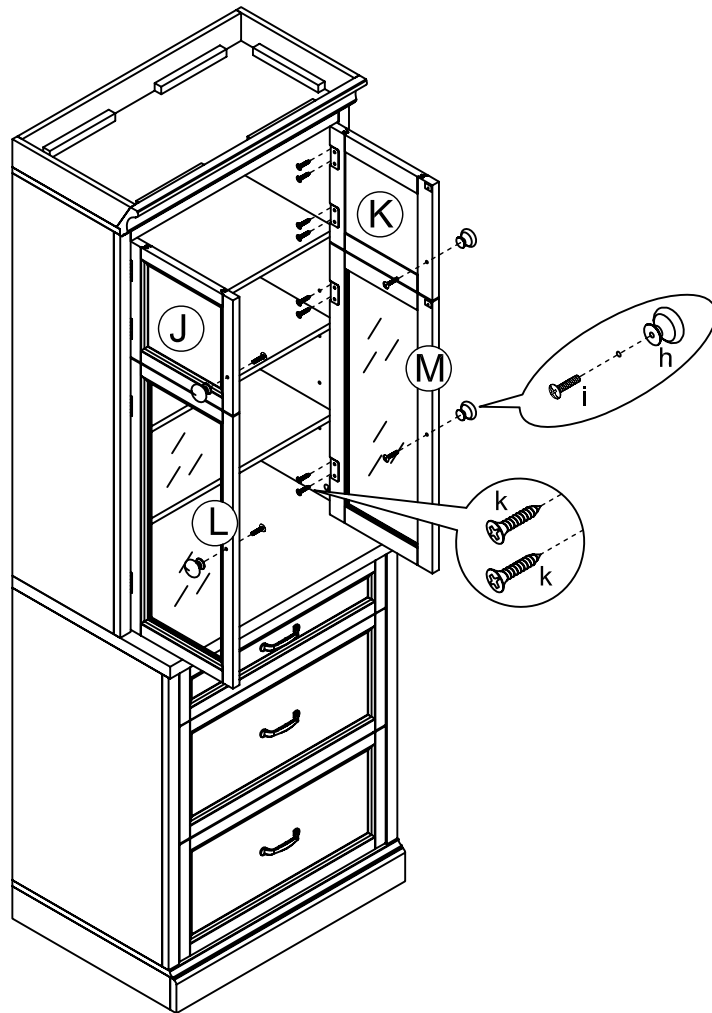
- TIGHTEN THE LARGE DRAWER LEFT SIDE PANEL (Y) AND THE LARGE DRAWER RIGHT SIDE PANEL (Z) TO THE LARGE DRAWER FRONT PANEL (X) BY USING THE 1" L FLAT HEAD SCREW (j).
- INSTALL THE WOOD DOWEL (a) AND THE CAM LOCK BOLT (b) INTO THE LARGE DRAWER FRONT PANEL (X).
- JOIN THE SUPPORT PANEL (V) TO THE LARGE DRAWER FRONT PANEL (X) BY USING WOOD DOWEL (a) FIRST.
- TIGHTEN CAM LOCK BOLT (b) WITH THE CAM LOCK (c) IN THE PRE-DRILLED HOLES.
- SLIDE THE DRAWER BOTTOM PANEL (U) INTO THE GROOVES ON THE LARGE DRAWER LEFT SIDE PANEL (Y) AND THE LARGE DRAWER RIGHT SIDE PANEL (Z).
- TIGHTEN THE LARGE DRAWER BACK PANEL (AA) TO THE ASSEMBLED PART BY USING THE 1" L FLAT HEAD SCREW (j) AND THE WOOD DOWEL (a) AS SHOWN.
- TIGHTEN THE HANDLE (g) TO THE LARGE DRAWER FRONT PANEL (X) BY USING THE BOLT (i).

FIG 10



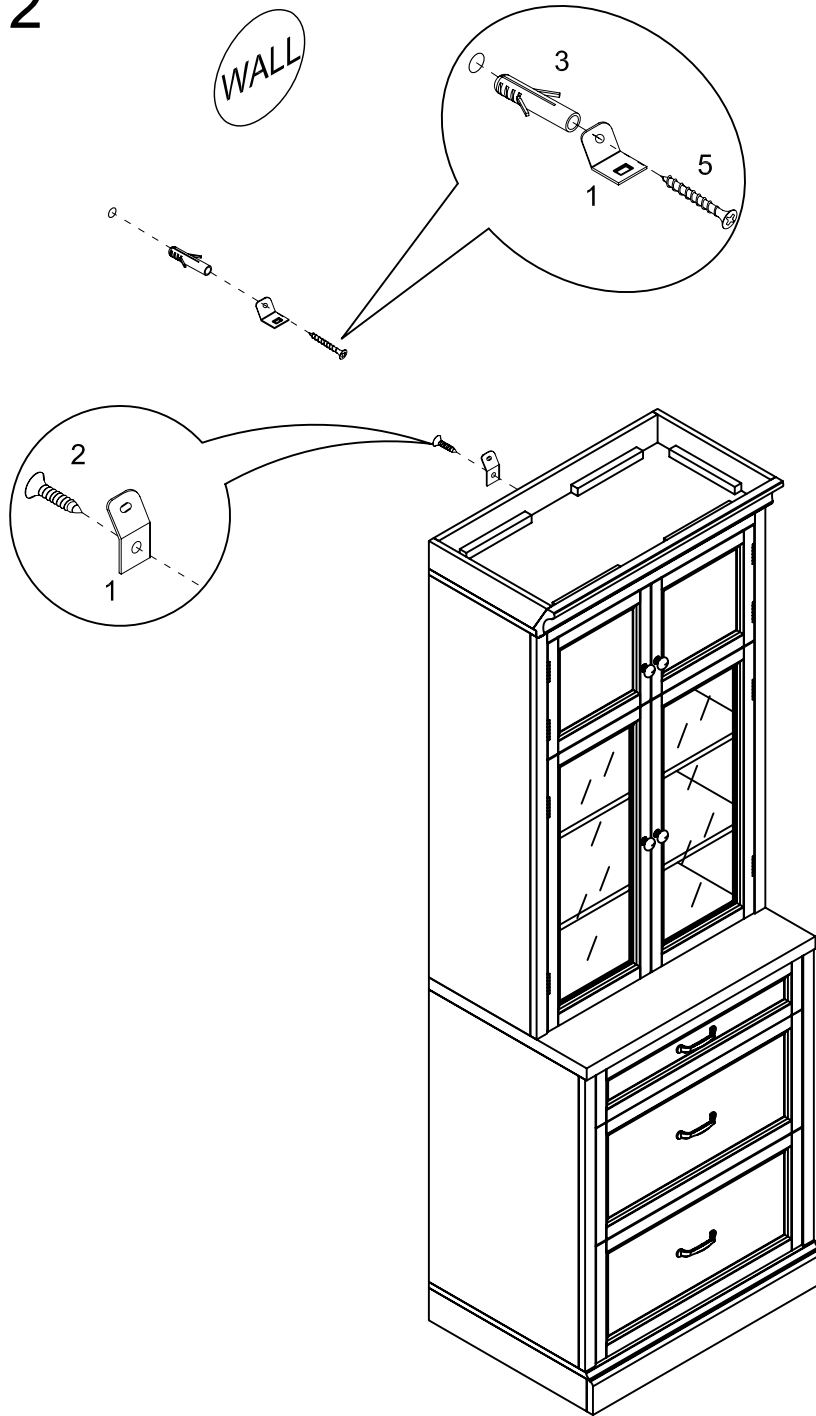
- INSERT THE SHELF PIN (I) IN THE DESIRED POSITION AND THEN PLACE THE TOP ADJUSTABLE SHELF (F) ON THE PINS.
- INSERT THE SMALL DRAWER AND TWO LARGE DRAWERS INTO THE ASSEMBLED PART.

FIG 11



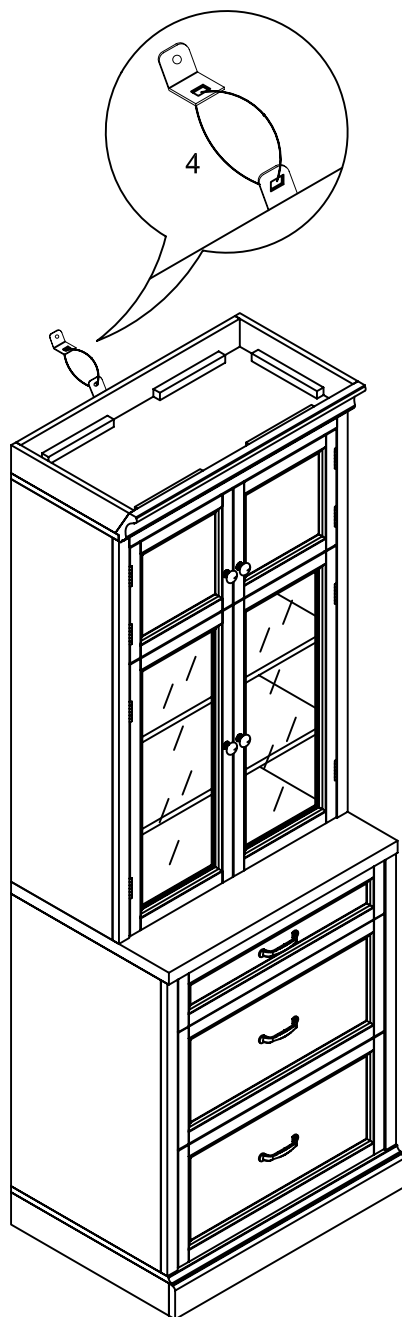
- ATTACH THE TOP LEFT DOOR (J), THE TOP RIGHT DOOR (K), THE BOTTOM LEFT DOOR (L) AND THE BOTTOM RIGHT DOOR (M) TO THE ASSEMBLED PART BY USING THE 1/2" L FLAT HEAD SCREW (k).
- TIGHTEN THE KNOB (h) ONTO THE DOORS BY USING THE BOLT (i) AS SHOWN.

FIG 12



- TIGHTEN THE RECTANGLE METAL PLATE (1) TO THE REAR OF THE TOP PANEL (A) BY USING 1/2" FLAT HEAD SCREW (2).
- PLACE THE ASSEMBLED ROYCE FLAT PANEL DRAWER MODULAR CABINET AT THE DESIRED POSITION. MARK THE INSERTION POINTS FOR THE PLASTIC ANCHOR (3).
- USING THE PROPER HARDWARE FOR YOUR WALL TYPE, DRILL 1/4" HOLES INTO THE WALL.
- TIGHTEN THE RECTANGLE METAL PLATE (1) TO THE PLASTIC ANCHOR (3) BY USING THE 1-1/2" FLAT HEAD SCREW (5).

FIG 13



- USING THE PLASTIC BAND (4) CONNECT TWO RECTANGLE METAL PLATES (1).