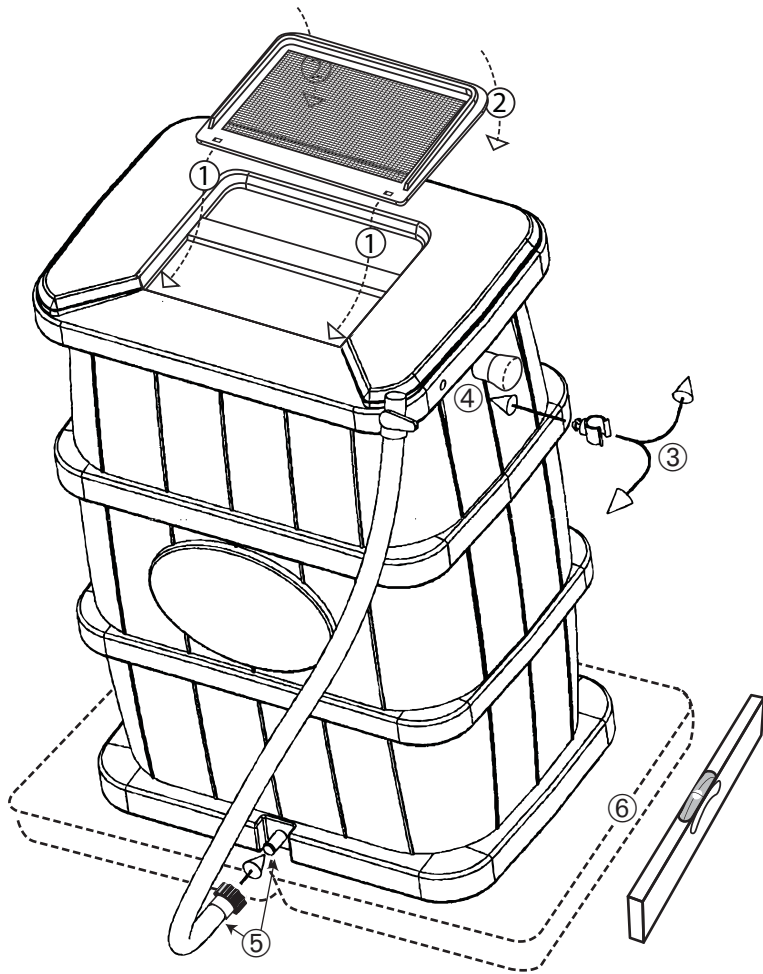
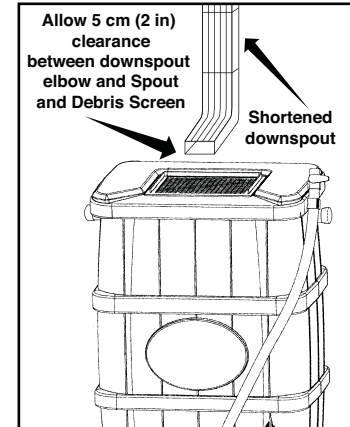
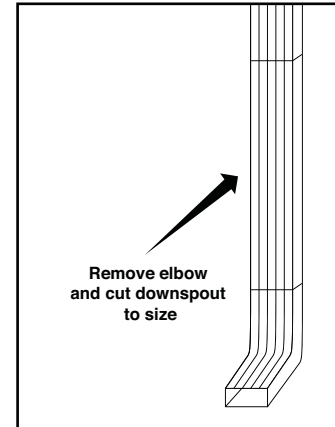


## Assembly and Installation Instructions



- ① insert screen with leading edge tucked under front rim of barrel opening
- ② with front edge inserted, push back edge of screen downward to fit in place
- ③ firmly force hose clamp into drilled hole
- ④ hose clamp will lock in place
- ⑤ fit hose end over spigot, twist and lock in place
- ⑥ The barrel must be installed on a flat, level surface. We recommend using pressure treated wood or a patio stone as a base to prevent shifting and tipping



- ⑦ Before positioning the barrel, you will need to shorten the current downspout to allow water to exit into the barrel. Remove elbow from bottom of downspout, measure and cut the downspout so that it will be 5 cm (2 in) above the barrel screen once elbow is reinstalled.

### Drawing Water from the Barrel:

To draw water, unclip garden hose from barrel, turn on valve and fill a watering can. This hose can be connected to a long garden hose to water other areas of the garden.

### Warning - Winter Storage

If you live in a cold climate, drain the barrel and hose completely. Hoses should be stored inside. Place the barrel upside down to avoid water freezing and cracking the barrel.

### Forest City Models & Patterns Ltd. Warranty

One (1) Year Warranty on Manufacturer Defects. Warranty excludes cracking from improper use/storage. For warranty issues, please contact Forest City Models & Patterns:

Forest City Models & Patterns Ltd., 157 Gerald Parkway, Thorndale, Ontario, Canada N0M 2P0  
 Phone: 519-858-5795 Fax: 519-858-9196 e-mail: csr@fcmponline.com