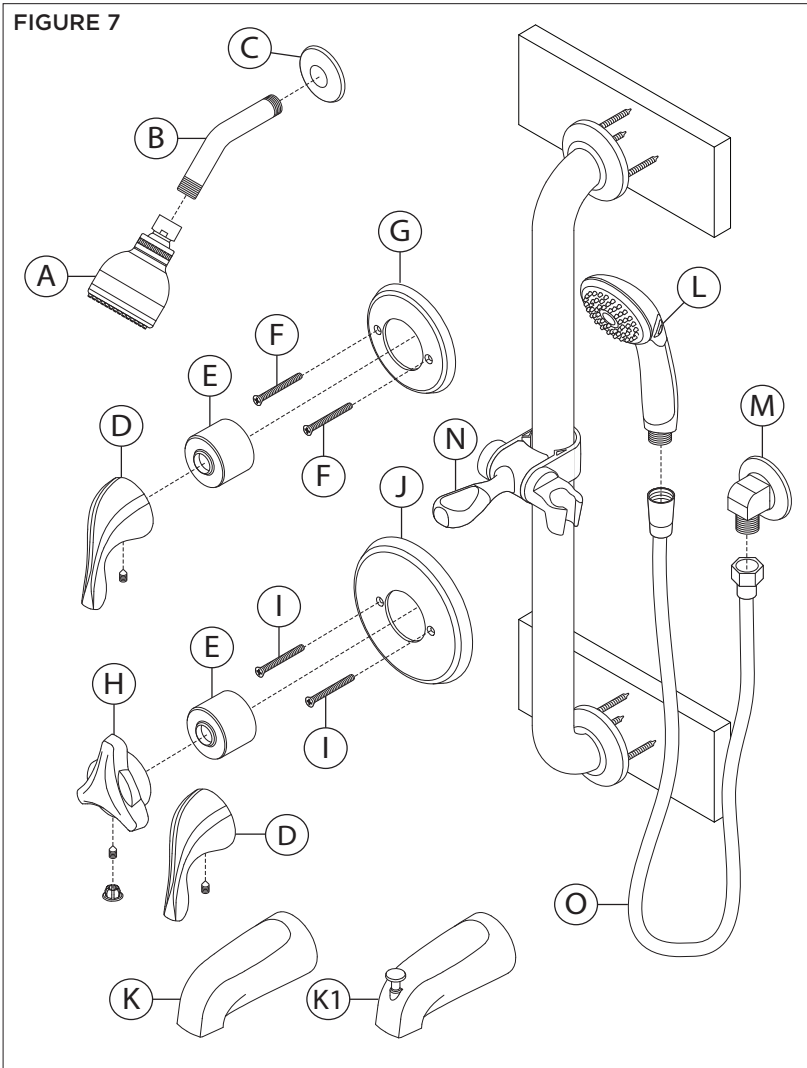


## 7. Parts Breakdown



\*Order in-line vacuum breaker (EF-109) for hand shower systems without dual checks.

Replacement Parts		
Item	Description	Part Number
A	Showerhead	4-141
B	Shower Arm	
C	Shower Arm Flange	300S
D	'PLR' Handle	RTS-063
E	Dome Cover	T-19
F	Diverter Escutcheon	
G	Diverter Escutcheon Screws	96-66-DIV-ESC
H	'P' Handle	RTS-061
I	Shower Escutcheon	<b>Standard (P):</b> 9600-P-ESC
J		<b>Brass (P):</b> 9600-P-B-ESC
	Screws	<b>Standard (PLR):</b> 9600-PLR-ESC
		<b>Brass (PLR):</b> 9600-PLR-B-ESC
K	Tub Spout	060
K1	Diverter Tub Spout	054
L	Hand Shower	ADACHS
M	Wall Elbow	40A
N	Slide Mechanism	FP-SM6
O	60" Hose	RTS-045

### Notes:

- 1) Append appropriate suffix for premium finish.
- 2) Append appropriate flow rate to showerhead or hand shower for low flow.
- 3) Apply a bead of silicone around the perimeter of all shower trim installed flush to the finished wall. Leave opening on bottom of escutcheons for weep hole.
- 4) Apply plumber tape to all threaded connections.