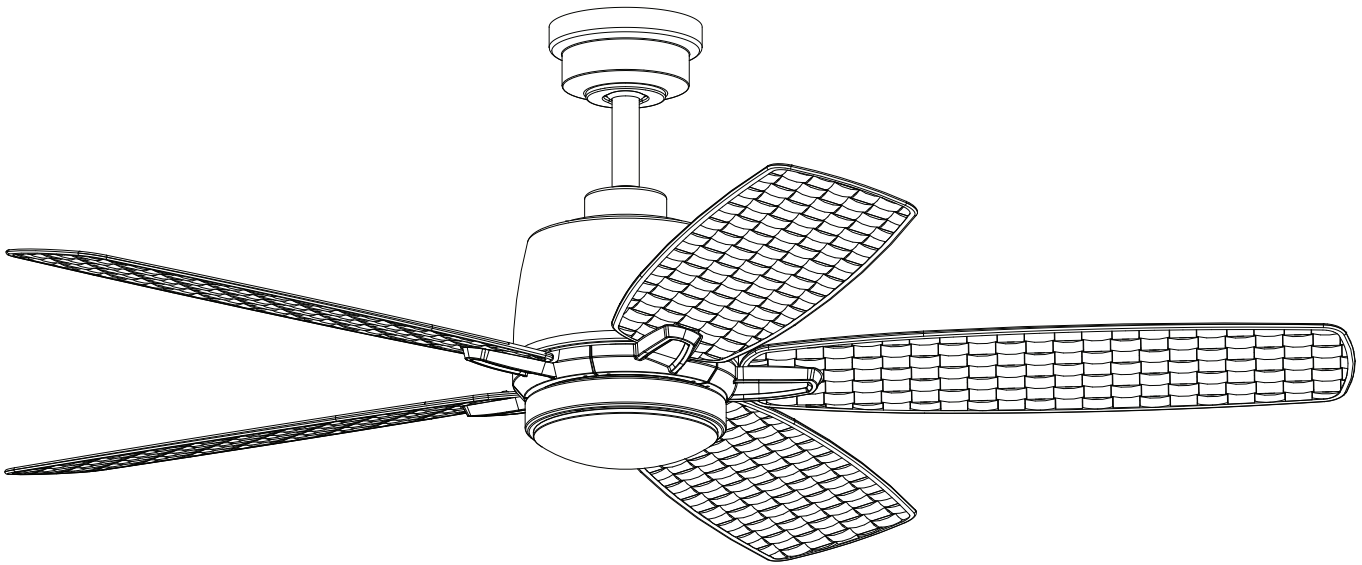


## USE AND CARE GUIDE

### HAYDEN LAKE 56-INCH CEILING FAN



Questions, problems, missing parts? Before returning to the store,  
call Home Decorators Collection Customer Service  
8 a.m. - 7 p.m., EST, Monday-Friday, 9 a.m. - 6 p.m., EST, Saturday.

1-800-986-3460

[HOMEDEPOT.COM/HOMEDECORATORS](http://HOMEDEPOT.COM/HOMEDECORATORS)

**THANK YOU**

*We appreciate the trust and confidence you have placed in Home Decorators Collection through the purchase of this ceiling fan. We strive to continually create quality products designed to enhance your home. Visit us online to see our full line of products available for your home improvement needs. Thank you for choosing Home Decorators Collection!*

# Table of Contents

Table of Contents .....	2	Assembly .....	7
Safety Information .....	2	Operation .....	13
Warranty .....	3	Care and Cleaning .....	14
Pre-Installation .....	3	Troubleshooting .....	14
Installation .....	6		

# Safety Information

## READ AND SAVE THESE INSTRUCTIONS.

1. To reduce the risk of electric shock, ensure the electricity has been turned off at the circuit breaker or fuse box before you begin.
2. All wiring must be in accordance with the National Electrical Code ANSI/NFPA 70 and local electrical codes. Electrical installation should be performed by a qualified licensed electrician.
3. The outlet box and support structure must be securely mounted and capable of reliably supporting a minimum of 35 lbs. (15.9 kg). Use only UL-listed outlet boxes marked "Acceptable for Fan Support of 35 lbs. (15.9 kg) or less."
4. The fan must be mounted with a minimum of 7 ft (2.1 m) of clearance from the trailing edge of the blades to the floor.
5. Do not place objects in the path of the blades.
6. To avoid personal injury or damage to the fan and other items, use caution when working around or cleaning the fan.
7. After making electrical connections, spliced conductors should be turned upward and pushed carefully up into the outlet box. The wires should be spread apart with the grounded conductor and the equipment-grounding conductor on one side of the outlet box.
8. All set screws must be checked and retightened where necessary before installation.



**WARNING:** To reduce the risk of personal injury, do not bend the blade brackets (also referred to as flanges) during assembly or after installation. Do not insert objects in the path of the blades.



**WARNING:** To reduce the risk of fire or electric shock, do not use this fan with any solid-state speed control device.



**WARNING:** To avoid possible electrical shock, turn the electricity off at the main fuse box before wiring. If you feel you do not have enough electrical wiring knowledge or experience, contact a licensed electrician.



**WARNING:** To reduce the risk of fire, electric shock or personal injury, mount to outlet box marked "Acceptable for fan support of 35 lbs. (15.9 kg) or less", and use screws provided with the outlet box.



**WARNING:** Electrical diagrams are for reference only. If you are using a light kit, refer to the light kit instructions manual to make the electrical connections. Optional use of any light kit shall be UL-listed and marked suitable for use with this fan.



**WARNING:** To reduce the risk of fire or electric shock, this fan should only be used with fan speed control part no. AP-8RDL, manufactured by Dawnsun Electronic Co., LTD.



**WARNING:** To reduce the risk of electric shock, this fan must be installed with an isolating wall switch.



**CAUTION:** To reduce the risk of personal injury, use only the screws provided with the outlet box.



**CAUTION:** Do NOT use this fan with a dimmer switch or wall control. Using a dimmer switch or wall control will damage the fan.



**CAUTION:** Changes or modifications not expressly approved by the party responsible for compliance could void the user's authority to operate the equipment.

# Warranty

The supplier warrants the fan motor to be free from defects in workmanship and material present at time of shipment from the factory for a lifetime after the date of purchase by the original purchaser. The supplier also warrants that all other fan parts, excluding any glass or acrylic blades, to be free from defects in workmanship and material at the time of shipment from the factory for a period of two years after the date of purchase by the original purchaser. We agree to correct such defects without charge or at our option replace with a comparable or superior model if the product is returned. To obtain warranty service, you must present a copy of the receipt as proof of purchase. All costs of removing and reinstalling the product are your responsibility. Damage to any part such as by accident or misuse or improper installation or by affixing any accessories, is not covered by this warranty. Because of varying climatic conditions this warranty does not cover any changes in brass finish, including rusting, pitting, corroding, tarnishing, or peeling. Brass finishes of this type give their longest useful life when protected from varying weather conditions. A certain amount of "wobble" is normal and should not be considered a defect. Servicing performed by unauthorized persons shall render the warranty invalid. There is no other express warranty. Home Decorators Collection hereby disclaims any and all warranties, including but not limited to those of merchantability and fitness for a particular purpose to the extent permitted by law. The duration of any implied warranty which cannot be disclaimed is limited to the time period as specified in the express warranty. Some states do not allow a limitation on how long an implied warranty lasts, so the above limitation may not apply to you. The retailer shall not be liable for incidental, consequential, or special damages arising out of or in connection with product use or performance except as may otherwise be accorded by law. Some states do not allow the exclusion of incidental or consequential damages, so the above exclusion or limitation may not apply to you. This warranty gives specific legal rights, and you may also have other rights which vary from state to state. This warranty supersedes all prior warranties. Shipping costs for any return of product as part of a claim on the warranty must be paid by the customer.

Contact the Customer Service Team at 1-800-986-3460 or visit [www.HomeDepot.com/homedecorators](http://www.HomeDepot.com/homedecorators).

# Pre-Installation

## SPECIFICATIONS

Size	Speed	Volts	Fan Power Consumption (without lights) WATT	Airflow CFM	Airflow Efficiency (Higher Is Better) CFM/WATT	Net Weight	Gross Weight	Cubic Feet
56 in.	Low	120	11	2135	194	22.93 lbs (10.4 kg)	26.46 lbs (12 kg)	1.927 cu. ft.
	Medium		31	3892	125			
	High		67	6131	91			



**NOTE:** These are approximate measures. They do not include the Amps and Wattage used by the light kit.

## TOOLS REQUIRED



Phillips screwdriver



Flat blade screwdriver



Adjustable wrench



Electrical tape



Wire cutter / Stripper



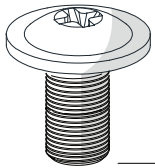
Step ladder

# Pre-Installation (continued)

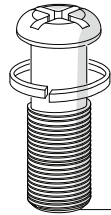
## HARDWARE INCLUDED



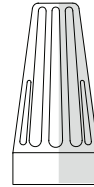
NOTE: Hardware not shown to actual size.



AA



BB

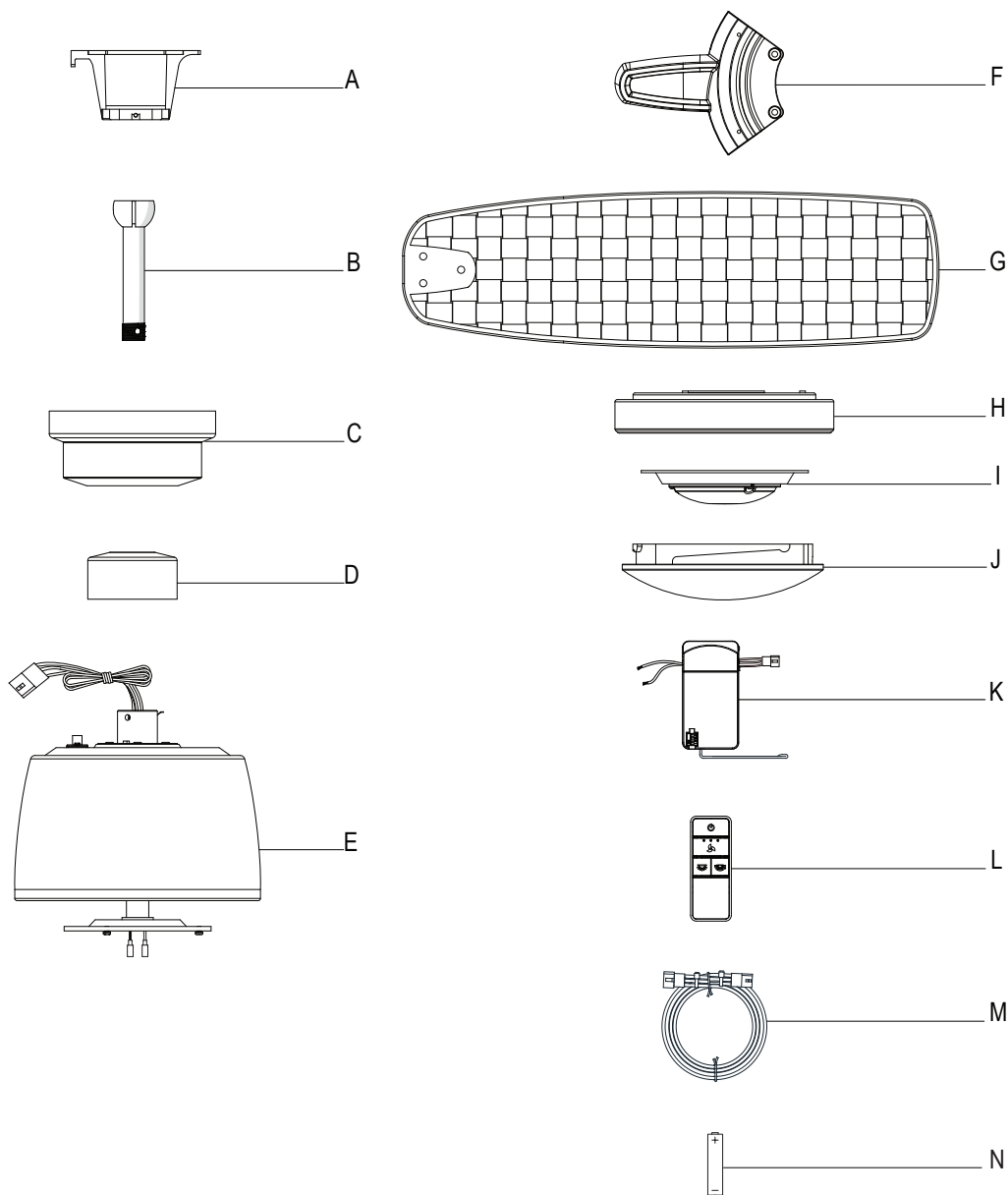


CC

Part	Description	Quantity
AA	Blade attachment screws	16
BB	Blade bracket screws	1
CC	Plastic wire connecting nuts	3

# Pre-Installation (continued)

## PACKAGE CONTENTS



Part	Description	Quantity
A	Slide-on mounting bracket (inside canopy)	1
B	Ball/downrod assembly	1
C	Canopy	1
D	Decorative motor collar cover	1
E	Fan-motor assembly	1



**IMPORTANT:** This product and/or components are governed by one or more of the following U.S. Patents: 5,947,436; 5,988,580; 6,010,110; 6,046,416; 6,210,117 and other patents pending.

Part	Description	Quantity
F	Blade arm	5
G	Blade	5
H	Light kit pan	1
I	Light kit fitter assembly	1
J	Frosted white glass	1
K	Receiver	1
L	Remote control	1
M	Extension lead wire	1
N	Battery	1

# Installation

## MOUNTING OPTIONS



**WARNING:** To reduce the risk of fire, electric shock or personal injury, mount to outlet box marked “Acceptable for fan support of 35 lbs. (15.9 kg) or less”, and use screws provided with the outlet box. An outlet box commonly used for the support of lighting fixtures may not be acceptable for fan support and may need to be replaced. If in doubt, consult a qualified electrician.

If your ceiling fan does not have an existing UL-listed mounting box, then install one using the following instructions:

- Disconnect the power by removing the fuses or turning off the circuit breakers.
- Secure the outlet box directly to the building structure. Use the appropriate fasteners and materials. The outlet box and support structure must be securely mounted and capable of reliably supporting a minimum of 35 lbs. (15.9 kg). Use only UL-listed outlet boxes marked “Acceptable for fan support of 35 lbs. (15.9 kg) or less” Do not use a plastic outlet box.

The illustrations below show three different ways to mount the outlet box.



**NOTE:** You may need a longer downrod to maintain proper blade clearance when installing on a steep, sloped ceiling. The maximum angle allowable is 30° away from horizontal.



If the canopy touches the downrod, then remove the decorative canopy bottom cover, and turn the canopy 180° before attaching the canopy to the mounting plate.

To hang your fan where there is an existing fixture but no ceiling joist, you may need an installation hanger bar as shown above (available at any Home Depot store).

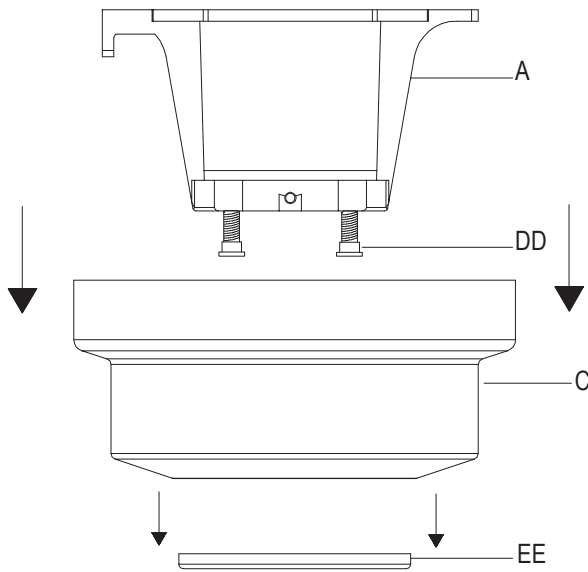
# Assembly - Standard Ceiling Mount

## 1 Preparing for mounting



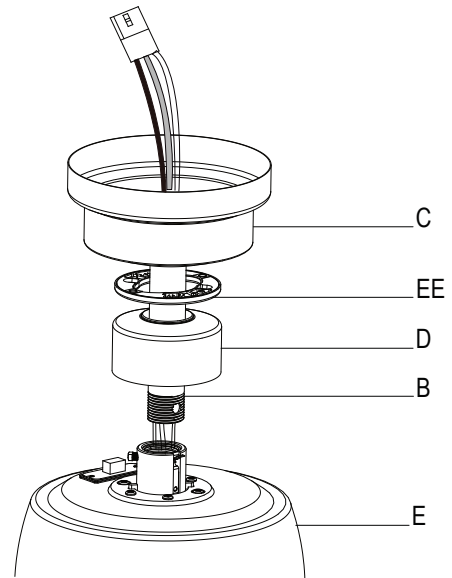
**NOTE:** The magnet is pre-attached on the canopy bottom cover (EE) for you to remove and install easily.

- Pull off the canopy bottom cover (EE) from the canopy (C).
- Loosen the two canopy screws (DD) located in the bottom of the mounting bracket (A), and turn the canopy counterclockwise to remove the mounting bracket (A) from canopy (C).



## 2 Routing the wires

- Route the wires exiting the top of the fan motor assembly (E) through the decorative motor collar cover (D) and then the center of the canopy bottom cover (EE).
- Make sure the opening of the canopy (C) is on top and insert the ball/downrod (B) through the canopy (C).
- Route the wires exiting the top of the fan motor assembly (E) through the downrod as shown.



## 3 Assembling the fan

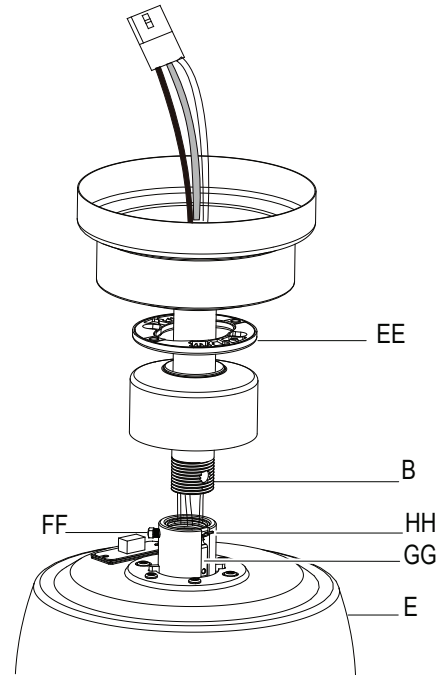


**CAUTION:** To ensure wobble-free operation and to avoid damage to the fan, the downrod (B) and the setscrew (FF) must be completely tightened.



**NOTE:** This fan is equipped with a safety tab (HH). Should the setscrew (FF) ever become loose while the fan is running in reverse, the safety tab (HH) will engage and stop the fan from falling.

- Loosen, but do not remove, the setscrew (FF) on the collar (GG) on top of the fan-motor assembly (E).
- Install the downrod (B) by inserting it into the motor collar (GG), and turning it clockwise until it is tight.
- Re-tighten the setscrew (FF) on the collar (GG) on top of the fan-motor assembly (E).



# Assembly - Hanging the Fan

## 1 Attaching the fan to the electrical box

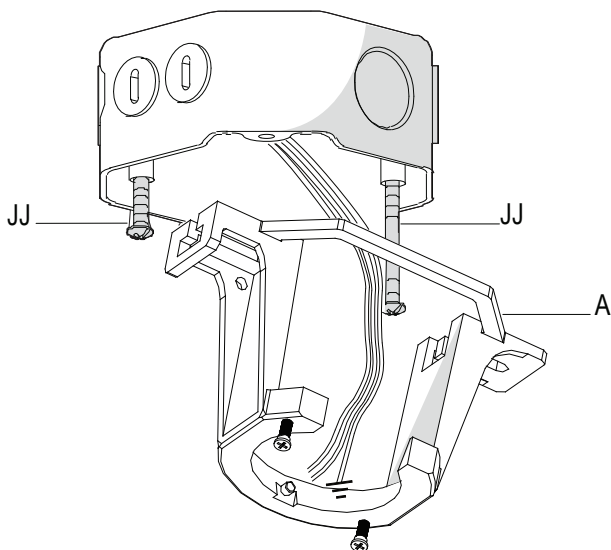


**WARNING:** To reduce the risk of fire, electric shock or personal injury, mount to outlet box marked "Acceptable for fan support of 35 lbs. 15.9 kg or less", and use screws provided with the outlet box.



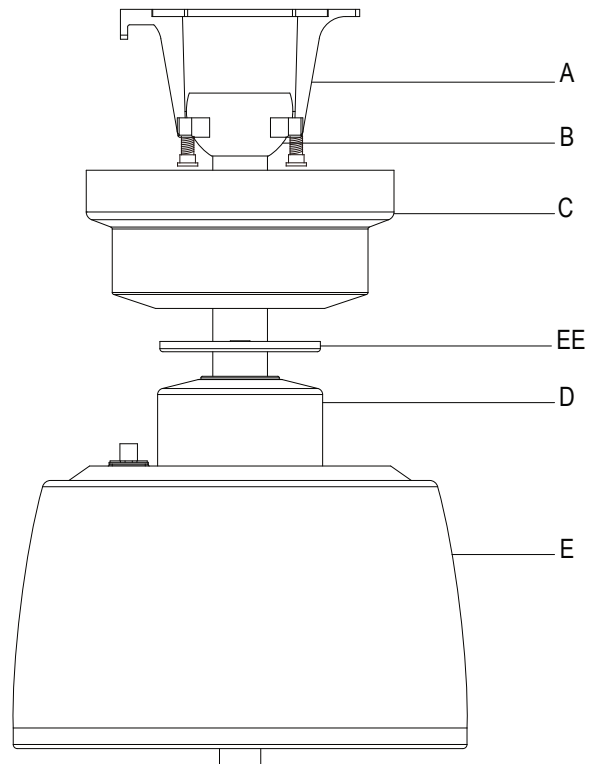
**NOTE:** The mounting bracket (A) is designed to slide into place on an outlet box with the outlet box screws (JJ) installed.

- Loosen the two mounting screws (JJ) in the outlet box.
- Pass the 120-Volt supply wires through the center hole in the mounting bracket (A).
- Slide the mounting bracket (A) on to the mounting screws (JJ) and center the mounting bracket (A) in relation to the outlet box. If necessary, use leveling washers (not included) between the slide-on mounting bracket (A) and the outlet box. The flat side of the slide-on mounting bracket (A) should face toward the outlet box, as shown.
- Securely tighten the two mounting screws (JJ).



## 2 Hanging the fan

- Carefully lift the fan-motor assembly (E) up to the slide-on mounting bracket (A).
- Insert the ball portion of the ball/downrod assembly into the socket of the slide-on mounting bracket (A).
- Turn the ball/downrod (B) assembly clockwise until it is seated with the tab of the slide-on mounting bracket (A) aligned with the slot in the ball.





# Assembly - Hanging the Fan (continued)

## 3 Setting the code on the remote control and receiver

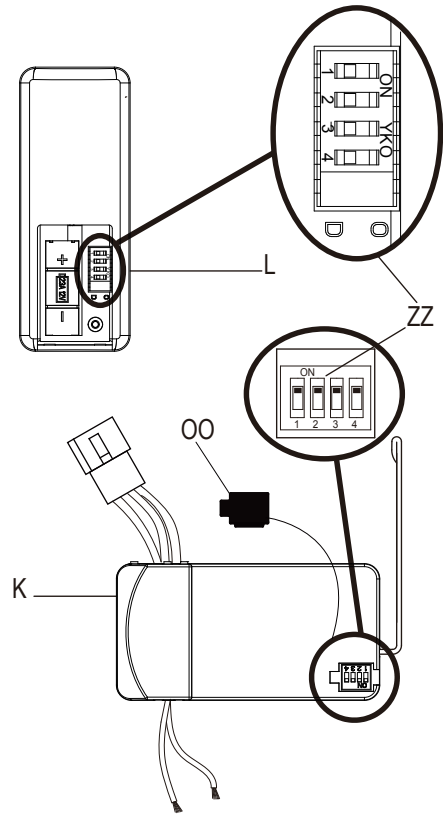


**NOTE:** The frequencies on your receiver and hand unit have been preset at the factory. Before installing the receiver, make sure the dip switches on the receiver and hand unit are set to the same frequency. The dip switches on the hand unit are located inside the battery compartment.



**NOTE:** The battery will weaken with age and should be replaced before leaking takes place as this will damage the hand unit. Dispose of used battery properly and keep the battery out of the reach of children.

- ❑ Remove the remote control (L) battery cover by pressing firmly on the arrow and sliding the cover off.
- ❑ Slide the dip switches (ZZ) to your choice of either up or down. The factory setting is up.
- ❑ Slide the dip switches (ZZ) on the receiver (K) to the same position as set on the remote control (L).
- ❑ Install the A23 12V battery (N).
- ❑ Replace the battery cover on the remote control (L).
- ❑ Insert the silicone rubber stopper (OO) into the hole on the receiver (K) to cover the dip switches.



## 4 Installing the receiver



**WARNING:** To reduce the risk of fire or electric shock, remember to disconnect power. The electrical wiring must meet all local and national electrical code requirements. The electrical source and fan must be 110/120 volt, 60Hz. Do not use this product in conjunction with any variable wall control. Incorrect wire connection can damage this receiver.

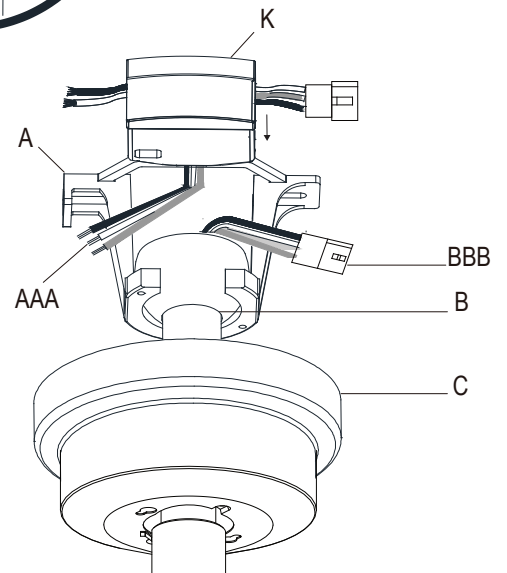
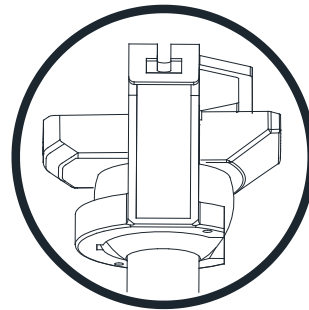


**CAUTION:** If other fan wires are a different color, have this unit installed by a licensed electrician.



**CAUTION:** Do not install the receiver in a damp location or immerse in water (For indoor use only). Do not pull on or cut the receiver leads shorter. Do not drop or bump the unit.

- ❑ Position the house supply wires (AAA) to one side of the slide-on mounting bracket (A); position the fan wires (BBB) to the opposite side.
- ❑ Insert the narrow end of the receiver (K) (as shown, flat side towards the ceiling) into the slide-on mounting bracket until it rests on top of the ball/downrod assembly.



# Assembly - Hanging the Fan (continued)

## 5 Wiring the receiver to the household wiring



**WARNING:** To avoid possible electrical shock, turn the electricity off at the main fuse box before wiring. If you feel you do not have enough electrical wiring knowledge or experience, contact a licensed electrician.

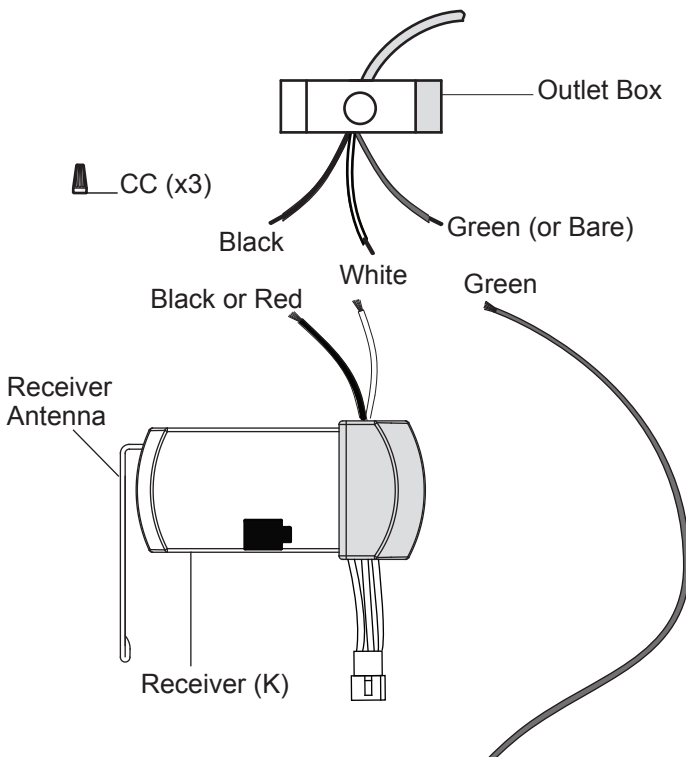


**WARNING:** Each wire nut supplied with this fan is designed to accept up to one 12-gauge house wire and two wires from the fan. If you have larger than 12-gauge house wiring or more than one house wire to connect to the fan wiring, consult an electrician for the proper size wire nuts to use.



**IMPORTANT:** Use the wire connecting nuts (CC) supplied with your fan. Secure the connectors with electrical tape and ensure there are no loose strands or connections.

- Spread the wires apart so that the green and white wires are on one side of the outlet box and the black wire is on the other side.
- Connect the green fan wires to the household ground wire (this may be a green or bare wire) using a wire connecting nut (CC).
- Connect the receiver (K) black or red wire to the household black (hot) wire using a wire connecting nut (CC).
- Connect the receiver (K) white wire to the household white wire (neutral) using a wire connecting nut (CC).
- Secure each wire connecting nut using electrical tape.

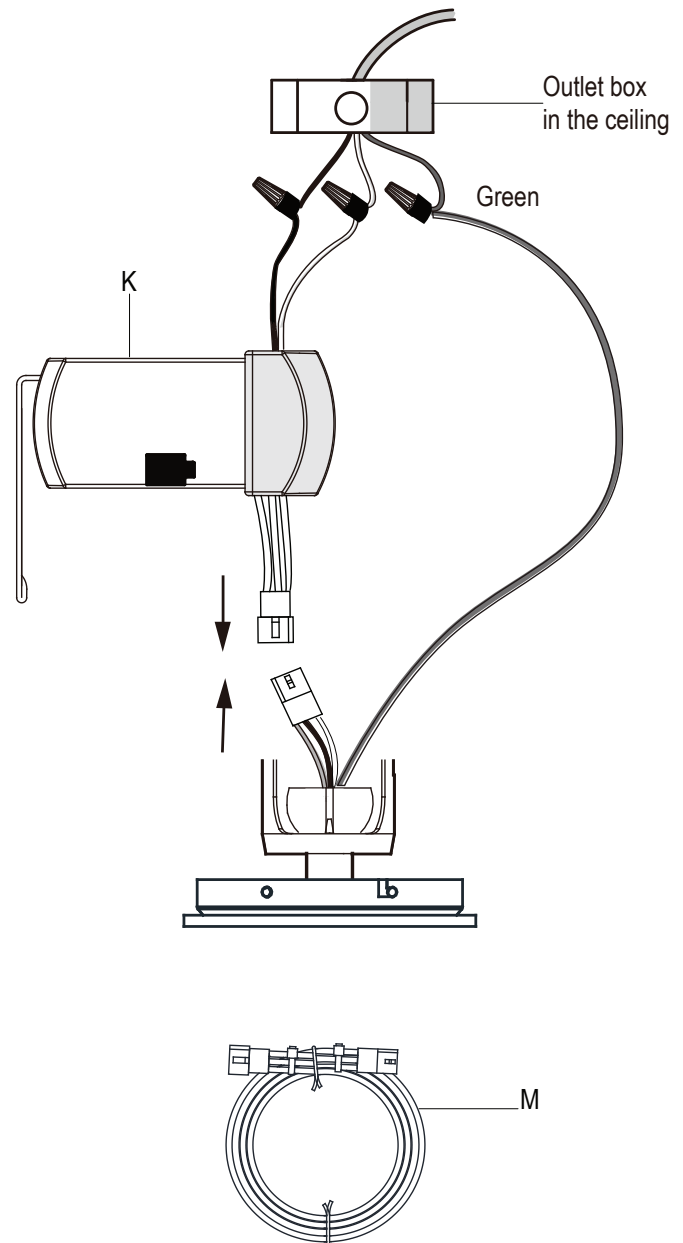


## 6 Wiring the fan to the receiver



**NOTE:** The fan comes with 12 in. lead wires for use with the provided 6 in. ball downrod assembly (B). If you wish to use longer downrod, you can use the extension lead wire (18 in.) (M) provided.

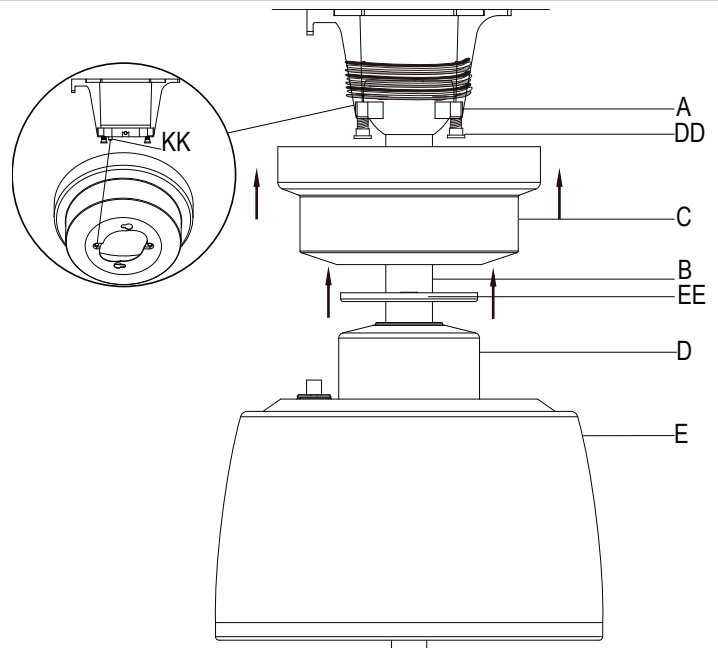
- If using the 6 in. ball downrod assembly (B) provided, wire the receiver to the fan wires by connecting the molded adaptor plug from receiver (K) with molded adaptor of the fan motor assembly (E) together.
- If you wish to use longer downrod, you can use the extension lead wire (18 in.) (M) provided by connecting the molded adaptor together.



# Assembly - Hanging the Fan (continued)

## 7 Mounting the fan-motor assembly (standard mount)

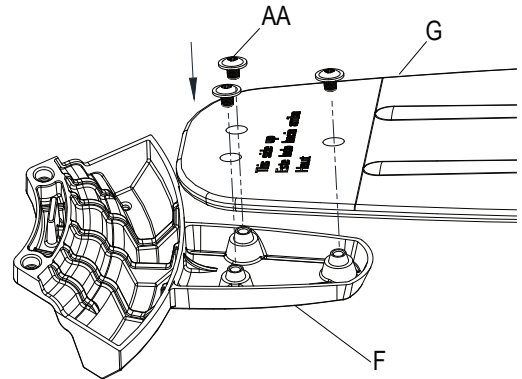
- Align the locking slots of the canopy (C) with the two screws (DD) and alignment post (KK) in the mounting bracket (A).
- Push up the canopy (C) and turn clockwise until the alignment post (KK) engages to the round hole and the screws (DD) engage to the key slots.
- Firmly tighten the two mounting screws (DD).
- Align the oval shape on the canopy (C) with canopy bottom cover (EE). Push up the canopy bottom cover (D) until the screw (DD) heads engage to the slots on the canopy bottom cover (D) so that the magnetic canopy bottom cover (EE) can be attached to the bottom of the canopy (C) properly.



# Assembly - Attaching the Fan Blade

## 1 Installing the blades to the blade brackets

- Attach a blade (G) to the blade arm (F) by aligning the holes on the blade (G) and blade arm (F) and inserting the screws (AA) into the holes and through the blade (G) and blade arm (F).
- Tighten each screw to secure the blade (G).
- Repeat this step for each blade (G) and blade arm (F).

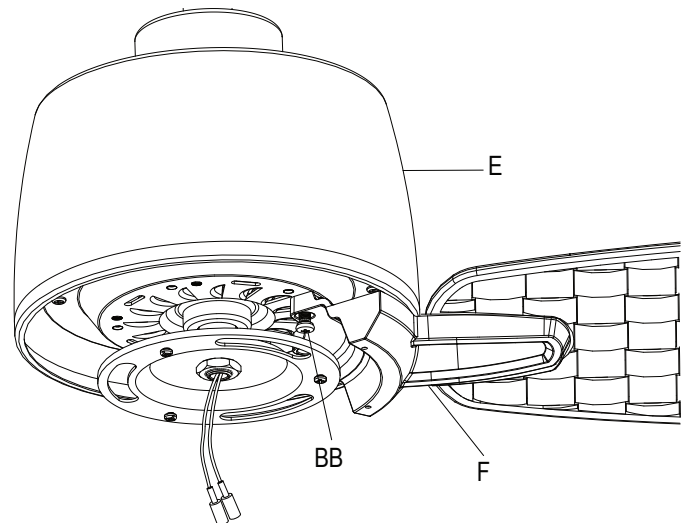


## 2 Attaching the blade assemblies to the motor



**NOTE:** Your fan features revolutionary advancements for quick and easy blade installation, including an alignment post and captive blade bracket screws.

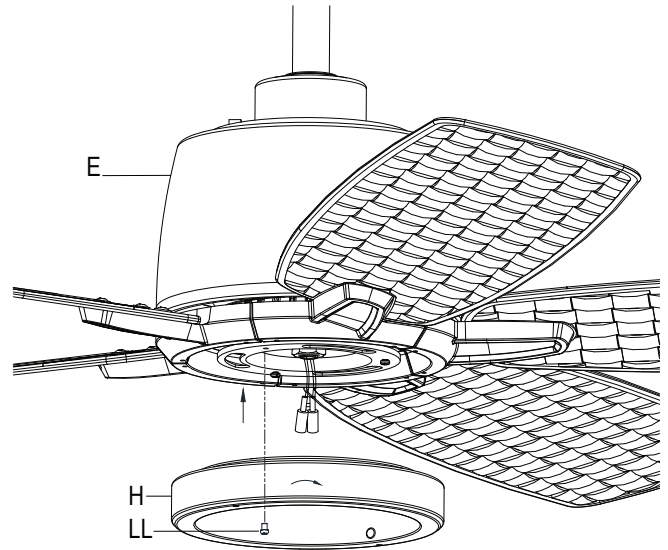
- Fasten the blade brackets (F) to the fan-motor assembly (E) by inserting the alignment post into the slot on the bottom of the motor and tightening the pre-installed blade bracket screws (BB).
- Repeat this step for the remaining blade assemblies.



# Assembly - Attaching the Accessories

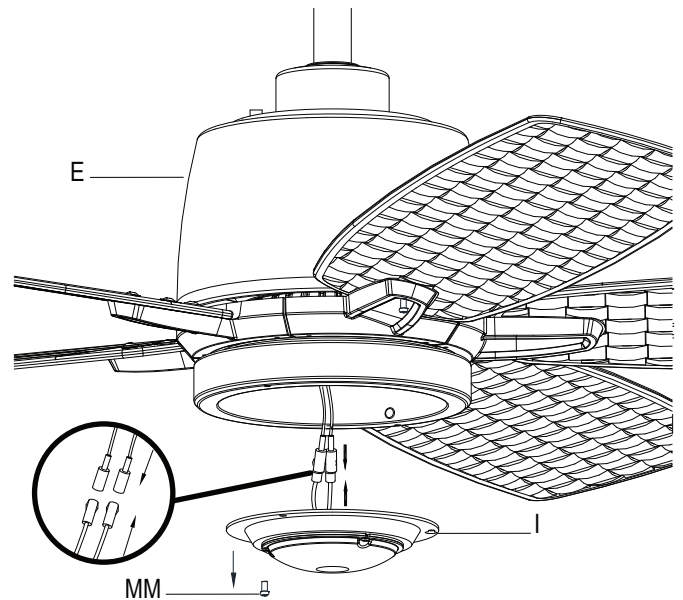
## 1 Installing the light kit pan

- Remove one screw (LL) from the black bracket below the fan motor assembly (E), and loosen but do not remove the other two screws.
- Push the light kit pan (H) up to the fan motor assembly (E) so that the two loosened screw heads fit into the keyhole slots. Turn the light kit pan (H) clockwise.
- Re-install the screw (LL) that was removed in the first step.
- Make sure all the screws are firmly tightened.



## 2 Attaching the light kit fitter assembly

- Remove one screw (MM) from the light kit pan, and loosen, but do not remove the other two screws.
- Connect the wires from the light kit fitter assembly (I) to the wires from the fan motor assembly (E) by connecting the molded adaptor plugs together. Carefully tuck all wires and splices into the switch cup.
- Push the light kit fitter assembly (I) up to the light kit pan so that the two loosened screw heads fit into the keyhole slots. Turn the light kit fitter assembly (I) clockwise to secure.
- Re-install the screw that was removed in the first step.
- Make sure all the screws are firmly tightened.

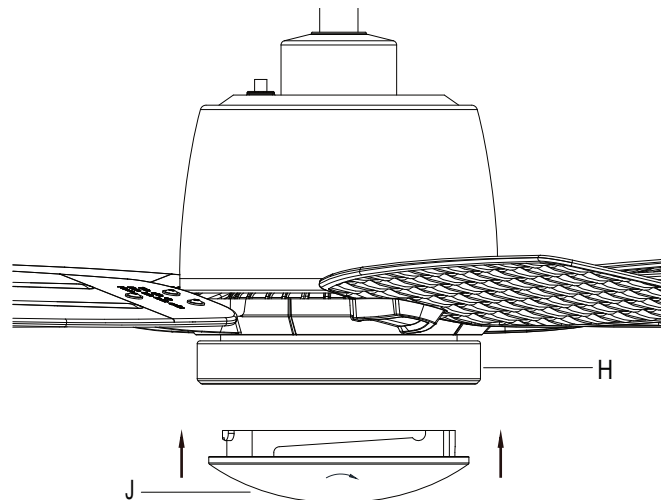


## 3 Installing the glass shade



**WARNING:** Do not overtighten when installing the glass shade into the light kit. Allow the glass shade to cool completely before removing.

- Place the glass shade (J) into the light kit pan (H), aligning the three flat areas on the top of the flange of the glass shade (J) with the three raised dimples in the light kit pan (H). Turn the glass shade clockwise until it stops.



# Operating Your Fan and Remote Control

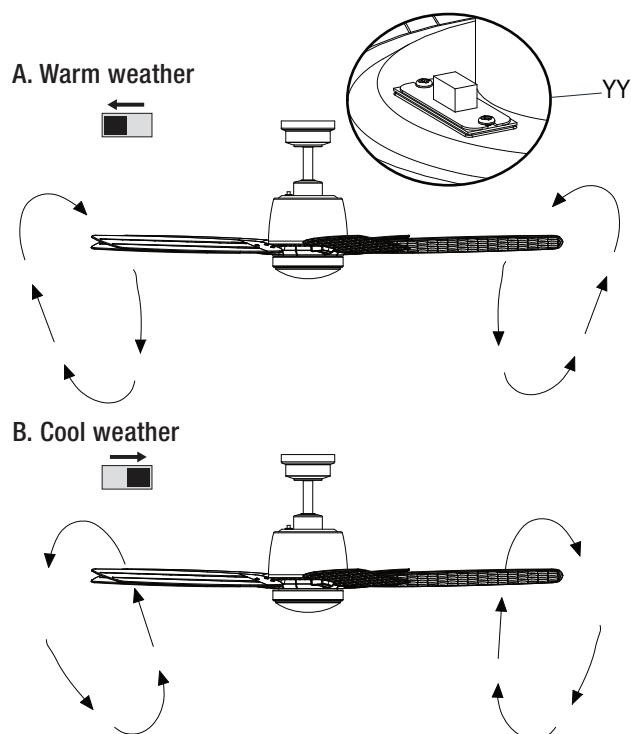
**Remote Control** - Your fan is equipped with a remote control to operate the speed and lights of your new ceiling fan.

Speed setting for warm or cool weather depends on factors such as the room size, ceiling height, number of fans and so on.


The fan is shipped from the factory with the reversing switch (YY) positioned to circulate air downward. If airflow is desired in the opposite direction, turn your fan off and wait for the blades to stop turning, then slide the reversing switch (located on the top of the motor housing) to the opposite position, and turn the fan on again. The fan blades will turn in the opposite direction and reverse airflow.


**Warm weather** - (Forward) A downward airflow creates a cooling effect. This allows you to set your air conditioner on a higher setting without affecting your comfort.

**Cool weather** - (Reverse) An upward airflow moves warm air off of the ceiling. This allows you to set your heating unit on a lower setting without affecting your comfort.



# Operating Your Fan and Remote Control

 **Power ON/OFF:** Press and release the power button to turn the fan and light on or off.

 **Fan speed:** LEDs on the fan speed button will illuminate to the corresponding speed.

Press and release 1 time: turns the fan on high speed.

Press and release 2 times: turns the fan on medium speed.

Press and release 3 times: turns the fan on low speed.

Press and release 4 times: turns the fan off.

 **Light ON/OFF**

Press and release the button to turn the light on or off.

Press and hold the button to activate the dimmer function.

 **Correlated Color Temperature (CCT) changing**

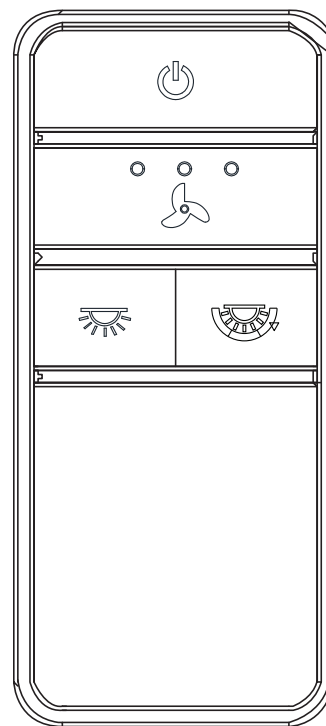
 **NOTE:** The default temperature of the ceiling fan light is 3000k (Soft White).

Push and release the button to cycle through the three color temperature options.

Option 1: 2700K (Warm White).

Option 2: 3000K (Soft White).

Option 3: 5000K (Daylight).



# Care and Cleaning



**WARNING:** Make sure the power is off before cleaning your fan.

- Because of the fan's natural movement, some connections may become loose. Check the support connections, brackets, and blade attachments twice a year. Make sure they are secure. It is not necessary to remove the fan from the ceiling.
- Clean your fan periodically to help maintain its new appearance over the years. Do not use water when cleaning, as this could damage the motor, or the wood, or possibly cause an electrical shock. Use only a soft brush or lint-free cloth to avoid scratching the finish.
- You can apply a light coat of furniture polish to the wood for additional protection and enhanced beauty. Cover small scratches with a light application of shoe polish.
- You do not need to oil your fan. The motor has permanently-lubricated sealed ball bearings.

# Troubleshooting

Problem	Solution
The fan will not start.	<ul style="list-style-type: none"><li><input type="checkbox"/> Check the main and branch circuit fuses or breakers.</li><li><input type="checkbox"/> Check the line wire connections to the fan and switch wire connections in the switch housing.</li><li><input type="checkbox"/> Check the battery in the remote control.</li><li><input type="checkbox"/> Ensure you are in the normal range of 10-20 feet.</li><li><input type="checkbox"/> Remember to turn off the power supply before checking the dip switch settings.</li></ul>
The fan is noisy.	<ul style="list-style-type: none"><li><input type="checkbox"/> Ensure all motor housing screws are snug.</li><li><input type="checkbox"/> Ensure the screws that attach the fan blade bracket to the motor hub are tight.</li><li><input type="checkbox"/> Ensure the wire nut connections are not rattling against each other or the interior wall of the switch housing.</li><li><input type="checkbox"/> Allow a 24-hour "breaking in" period. Most noises associated with a new fan disappear during this time.</li><li><input type="checkbox"/> If you are using the Ceiling Fan light kit, ensure the screws securing the glassware are tight. Check that the light bulbs are also secure.</li><li><input type="checkbox"/> Ensure the canopy is a short distance from the ceiling. It should not touch the ceiling.</li><li><input type="checkbox"/> Ensure your outlet box is secure and rubber isolator pads were used between the mounting plate and outlet box.</li></ul>
The fan wobbles.	<ul style="list-style-type: none"><li><input type="checkbox"/> Check that all blade and blade arm screws are secure.</li><li><input type="checkbox"/> Most fan wobble problems are caused when blade levels are unequal. Check this level by selecting a point on the ceiling above the tip of one of the blades. Measure from a point on the center of the blade to the point on the ceiling. Rotate the fan until the next blade is positioned for measurement, and measure from the same point on each blade to the ceiling. Repeat for each blade. Any measurement deviation should be within 1/8 in. Run the fan for ten minutes. If the fan continues to wobble please contact Customer Service and a balancing kit will be sent to you at no charge.</li></ul>

This equipment has been tested and found to comply with the limits for a Class B digital device, pursuant to Part 15 of the FCC Rules. These limits are designed to provide reasonable protection against harmful interference in a residential installation. This equipment generates, uses and can radiate radio frequency energy and, if not installed and used in accordance with the instructions, may cause harmful interference to radio communications. However, there is no guarantee that interference will not occur in a particular installation. If this equipment does cause harmful interference to radio or television reception, which can be determined by turning the equipment off and on, the user is encouraged to try to correct the interference by one or more of the following measures:

- Reorient or relocate the receiving antenna.
- Increase the separation between the equipment and receiver.
- Connect the equipment into an outlet on a circuit different from that to which the receiver is connected.
- Consult the dealer or an experienced radio/TV technician for help.

**CAUTION:**

Any changes or modifications not expressly approved by the grantee of this device could void the user's authority to operate the equipment.

This device complies with Part 15 of the FCC Rules. Operation is subject to the following two conditions: (1) This device may not cause harmful interference, and (2) this device must accept any interference received, including interference that may cause undesired operation.

# HOME DECORATORS COLLECTION

Questions, problems, missing parts? Before returning to the store,  
call Home Depot Customer Service  
8 a.m. - 7 p.m., EST, Monday-Friday, 9 a.m. - 6 p.m., EST, Saturday.

**1-800-986-3460**

**[HOMEDEPOT.COM/HOMEDECORATORS](http://HOMEDEPOT.COM/HOMEDECORATORS)**

Retain this manual for future use.