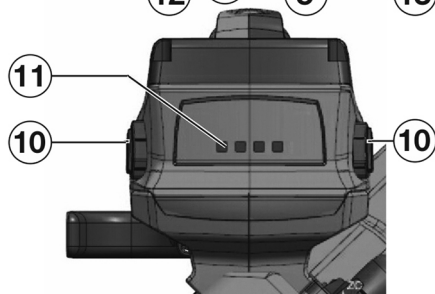
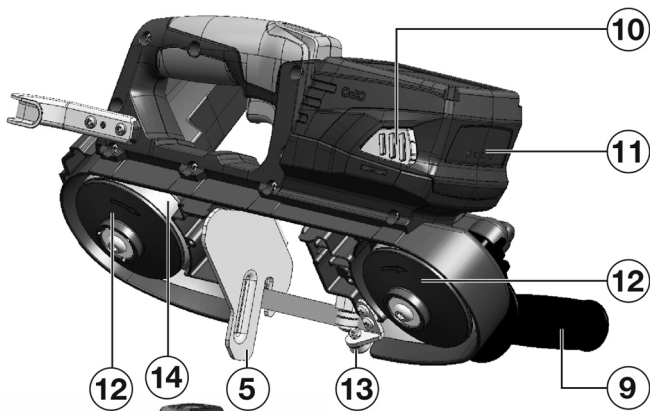
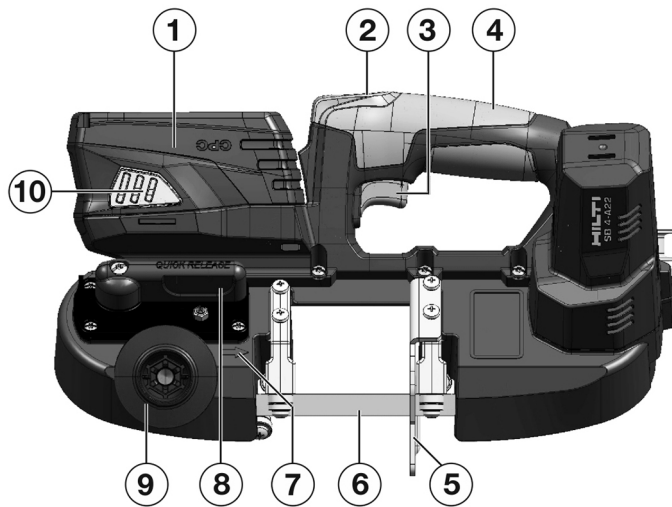


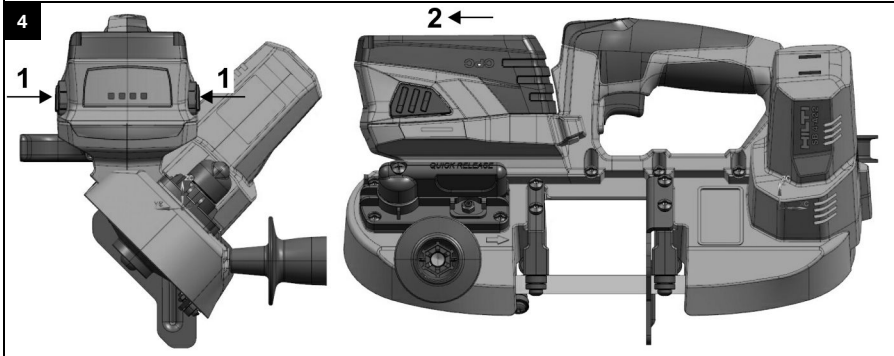
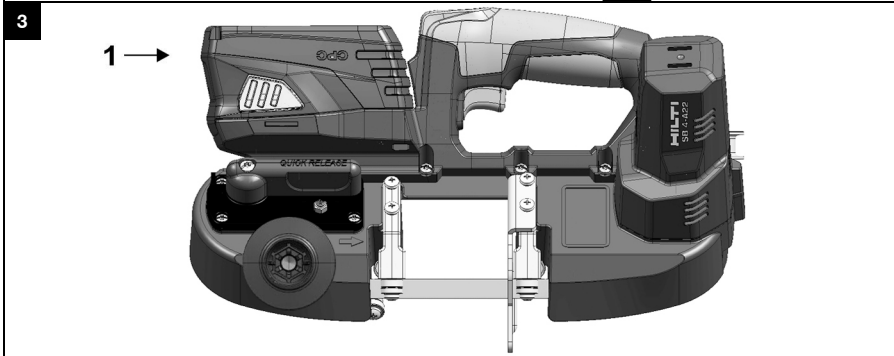
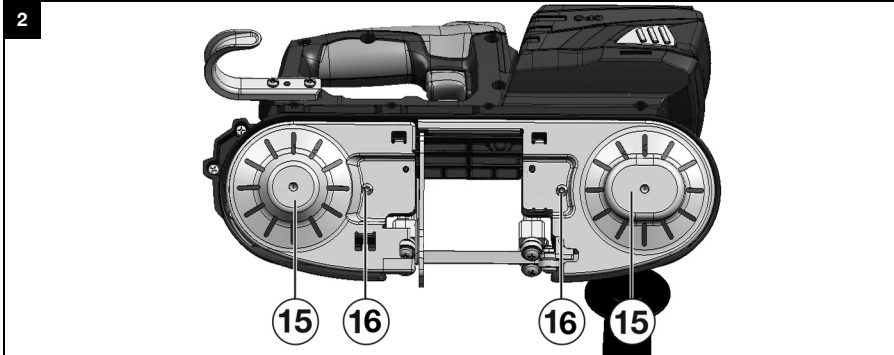
# HILTI

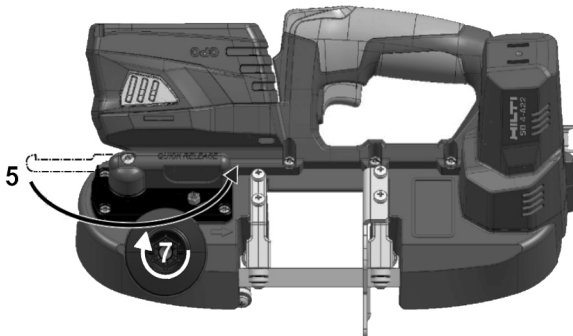
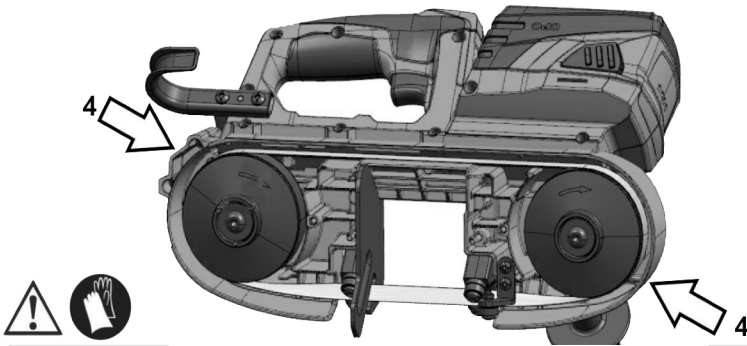
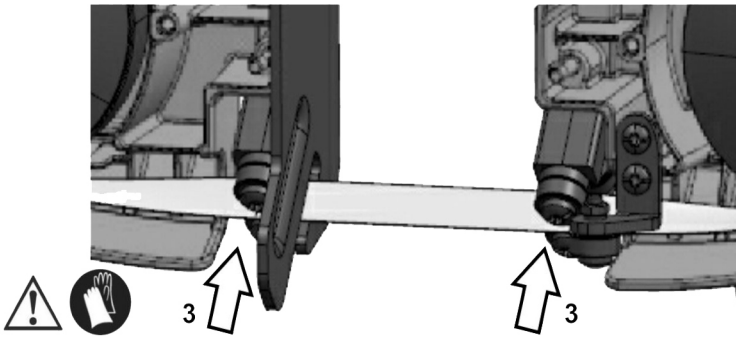
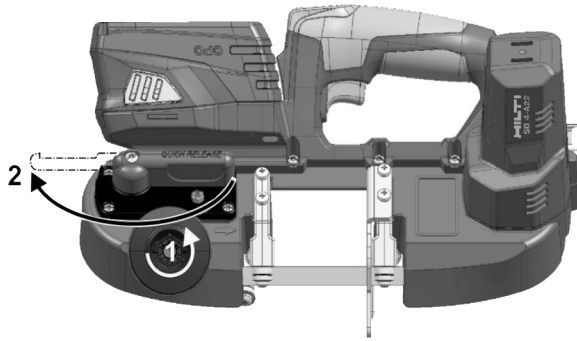
## SB 4-A22

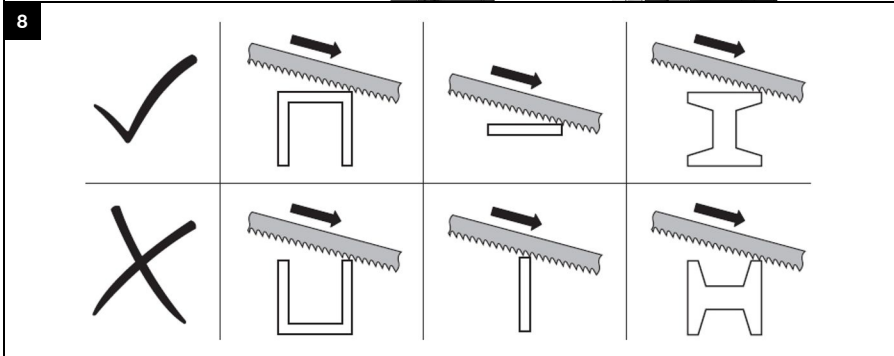
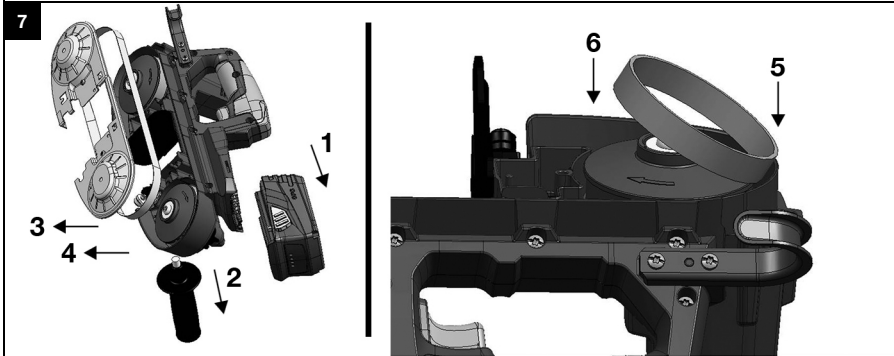
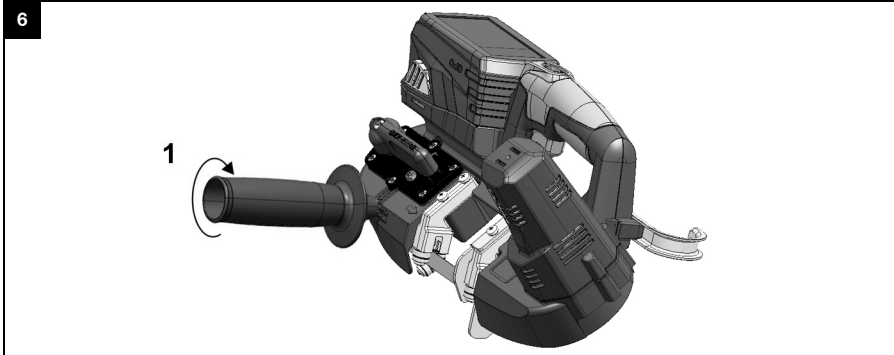
English	1
Français	10
Español	20
Português	30











# SB 4-A22

en	Original operating instructions .....	1
fr	Mode d'emploi original .....	10
es	Manual de instrucciones original .....	20
pt	Manual de instruções original .....	30

## 1 Information about the documentation




### 1.1 About this documentation

- Read this documentation before initial operation or use. This is a prerequisite for safe, trouble-free handling and use of the product.
- Observe the safety instructions and warnings in this documentation and on the product.
- Always keep the operating instructions with the product and make sure that the operating instructions are with the product when it is given to other persons.

### 1.2 Explanation of symbols used



#### 1.2.1 Warnings

Warnings alert persons to hazards that may occur when handling or using the product. The following signal words are used in combination with a symbol:

	<b>DANGER!</b> Draws attention to an imminent hazard that will lead to serious personal injury or fatality.
	<b>WARNING!</b> Draws attention to a potential hazard that could lead to serious personal injury or fatality.
	<b>CAUTION!</b> Draws attention to a potentially dangerous situation that could lead to minor personal injury or material damage.




#### 1.2.2 Symbols in the documentation

The following symbols are used in this document:

	Read the operating instructions before use
	Instructions for use and other useful information

#### 1.2.3 Symbols in the illustrations

The following symbols are used in illustrations:

	These numbers refer to the corresponding illustrations found at the beginning of these operating instructions.
3	The numbering reflects the sequence of operations shown in the illustrations and may deviate from the steps described in the text.
	Item reference numbers are used in the <b>overview illustration</b> and refer to the numbers used in the key in the <b>product overview</b> section.
	This symbol is intended to draw special attention to certain points when handling the product.

### 1.3 Product information

Hilti products are designed for professional use and may be operated, serviced and maintained only by trained, authorized personnel. This personnel must be informed of any particular hazards that may be encountered. The product and its ancillary equipment can present hazards if used incorrectly by untrained personnel or if used not in accordance with the intended use.

The type designation and serial number are stated on the rating plate.

- ▶ Write down the serial number in the table below. You will be required to state the product details when contacting Hilti Service or your local Hilti organization to inquire about the product.

#### Product information

Bandsaw	SB 4-A22
Generation:	01
Serial no.:	

### 1.4 Declaration of conformity

We declare, on our sole responsibility, that the product described here complies with the applicable directives and standards. A copy of the declaration issued by the certification department can be found at the end of this documentation.

## 2 Safety

### 2.1 General safety precautions for power tools

**⚠ WARNING** Read all safety warnings, instructions, illustrations and specifications provided with this power tool. Failure to follow the instructions below may result in electric shock, fire and/or serious injury. **Save all warnings and instructions for future reference.**

The term "power tool" in the warnings refers to your mains-operated (corded) power tool or battery-operated (cordless) power tool.

#### Work area safety

- ▶ **Keep your work area clean and well lit.** Cluttered or dark work areas invite accidents.
- ▶ **Do not operate the power tool in explosive atmospheres, such as in the presence of flammable liquids, gases or dust.** Power tools create sparks which may ignite the dust or fumes.
- ▶ **Keep children and bystanders away while operating a power tool.** Distractions can cause you to lose control.

#### Electrical safety

- ▶ **Power tool plugs must match the outlet. Never modify the plug in any way. Do not use any adapter plugs with earthed (grounded) power tools.** Unmodified plugs and matching power outlets reduce the risk of electric shock.
- ▶ **Avoid body contact with earthed or grounded surfaces, such as pipes, radiators, ranges and refrigerators.** There is an increased risk of electric shock if your body is earthed or grounded.
- ▶ **Do not expose power tools to rain or wet conditions.** Water entering a power tool will increase the risk of electric shock.
- ▶ **Do not abuse the cord. Never use the cord for carrying, pulling or unplugging the power tool. Keep cord away from heat, oil, sharp edges or moving parts.** Damaged or entangled cords increase the risk of electric shock.
- ▶ **When operating a power tool outdoors, use an extension cord suitable for outdoor use.** Use of a cord suitable for outdoor use reduces the risk of electric shock.
- ▶ **If operating a power tool in a damp location is unavoidable, use a residual current device (RCD) protected supply.** Use of an RCD reduces the risk of electric shock.

#### Personal safety

- ▶ **Stay alert, watch what you are doing and use common sense when operating a power tool. Do not use a power tool while you are tired or under the influence of drugs, alcohol or medication.** A moment of inattention while operating the power tool may result in serious personal injury.
- ▶ **Use personal protective equipment. Always wear eye protection.** Protective equipment such as a dust mask, non-skid safety shoes, hard hat or hearing protection used for appropriate conditions will reduce personal injuries.
- ▶ **Prevent unintentional starting. Ensure the switch is in the off-position before connecting to power source and/or battery pack, picking up or carrying the tool.** Carrying power tools with your finger on the switch or energising power tools that have the switch on invites accidents.
- ▶ **Remove any adjusting key or wrench before turning the power tool on.** A wrench or a key left attached to a rotating part of the power tool may result in personal injury.
- ▶ **Do not overreach. Keep proper footing and balance at all times.** This enables better control of the power tool in unexpected situations.
- ▶ **Dress properly. Do not wear loose clothing or jewellery. Keep your hair and clothing away from moving parts.** Loose clothes, jewellery or long hair can be caught in moving parts.
- ▶ **If devices are provided for the connection of dust extraction and collection facilities, ensure these are connected and properly used.** Use of dust collection can reduce dust-related hazards.
- ▶ **Do not let familiarity gained from frequent use of tools allow you to become complacent and ignore tool safety principles.** A careless action can cause severe injury within a fraction of a second.

#### Power tool use and care

- ▶ **Do not force the power tool. Use the correct power tool for your application.** The correct power tool will do the job better and safer at the rate for which it was designed.
- ▶ **Do not use the power tool if the switch does not turn it on and off.** Any power tool that cannot be controlled with the switch is dangerous and must be repaired.



- ▶ **Disconnect the plug from the power source and/or remove the battery pack, if detachable, from the power tool before making any adjustments, changing accessories, or storing power tools.** Such preventive safety measures reduce the risk of starting the power tool accidentally.
- ▶ **Store idle power tools out of the reach of children and do not allow persons unfamiliar with the power tool or these instructions to operate the power tool.** Power tools are dangerous in the hands of untrained users.
- ▶ **Maintain power tools and accessories. Check for misalignment or binding of moving parts, breakage of parts and any other condition that may affect the power tool's operation. If damaged, have the power tool repaired before use.** Many accidents are caused by poorly maintained power tools.
- ▶ **Keep cutting tools sharp and clean.** Properly maintained cutting tools with sharp cutting edges are less likely to bind and are easier to control.
- ▶ **Use the power tool, accessories and tool bits etc. in accordance with these instructions, taking into account the working conditions and the work to be performed.** Use of the power tool for operations different from those intended could result in a hazardous situation.
- ▶ **Keep handles and grasping surfaces dry, clean and free from oil and grease.** Slippery handles and grasping surfaces do not allow for safe handling and control of the tool in unexpected situations.

#### **Battery tool use and care**

- ▶ **Recharge only with the charger specified by the manufacturer.** A charger that is suitable for one type of battery pack may create a risk of fire when used with another battery pack.
- ▶ **Use power tools only with specifically designated battery packs.** Use of any other battery packs may create a risk of injury and fire.
- ▶ **When battery pack is not in use, keep it away from other metal objects, like paper clips, coins, keys, nails, screws or other small metal objects, that can make a connection from one terminal to another.** Shorting the battery terminals together may cause burns or a fire.
- ▶ **Under abusive conditions, liquid may be ejected from the battery; avoid contact. If contact accidentally occurs, flush with water. If liquid contacts eyes, additionally seek medical help.** Liquid ejected from the battery may cause irritation or burns.
- ▶ **Do not use a battery pack or tool that is damaged or modified.** Damaged or modified batteries may exhibit unpredictable behaviour resulting in fire, explosion or risk of injury.
- ▶ **Do not expose a battery pack or tool to fire or excessive temperature.** Exposure to fire or temperature above 265 °F may cause explosion.
- ▶ **Follow all charging instructions and do not charge the battery pack or tool outside the temperature range specified in the instructions.** Charging improperly or at temperatures outside the specified range may damage the battery and increase the risk of fire.

#### **Service**

- ▶ **Have your power tool serviced by a qualified repair person using only identical replacement parts.** This will ensure that the safety of the power tool is maintained.
- ▶ **Never service damaged battery packs.** Service of battery packs should only be performed by the manufacturer or authorized service providers.

### **2.2 Safety instructions for bandsaws**

- ▶ **Hold the power tool by the insulated gripping surfaces, when performing an operation where the cutting accessory may contact contact hidden wiring** Cutting accessories contacting a "live" wire may make exposed metal parts of the power tool "live" and could give the operator an electric shock.

### **2.3 Additional safety instructions**

- ▶ Use the product only if it is in perfect working order.
- ▶ Never tamper with or modify the product in any way.
- ▶ Do not use dull/blunt or damaged blades. These cause increased friction and present a high risk of the saw blade binding or kicking back.
- ▶ Before beginning the work, check the working area for concealed electric cables or gas and water pipes. External metal parts of the power tool may become live, presenting a risk of electric shock, if the blade inadvertently cuts into a live electric cable.
- ▶ Secure the workpiece to a stable support. Never hold the piece being cut in your hands or across your leg.
- ▶ Switch the product on only after bringing it into the working position.
- ▶ Always guide the power tool away from your body when working with it.

- ▶ Apply only moderate pressure and cut at an appropriate speed, especially when cutting large-diameter pipes. This will help to prevent the power tool overheating.
- ▶ Before cutting through pipes, make sure that the pipes are empty, i.e. that they do not contain liquids. Drain the pipes if necessary.
- ▶ When cutting through pipes, hold the power tool above the level of the pipe you are cutting through.
  - ◀ The power tool incorporates no protective measures to prevent ingress of water or moisture. Liquids running out of pipes may cause a short circuit in the power tool.
- ▶ Never cut into unknown materials and keep the line of cut above and below the workpiece free of obstacles.
  - ◀ If the saw blade strikes an object it may cause the power tool to kick back.
- ▶ Wear protective gloves also when changing the accessory tool. Touching the accessory tool presents a risk of injury (cuts or burns).
- ▶ Always remove the battery when the power tool is not in use, before maintenance, before changing accessory tools and before transport.
- ▶ Engage the transport lock before storing or transporting the power tool.
- ▶ Observe the manufacturer's instructions regarding the handling and storage of saw blades.

## 2.4 Careful handling and use of batteries

- ▶ Observe the special guidelines applicable to the transport, storage and use of lithium-ion batteries.
- ▶ Do not expose batteries to high temperatures, direct sunlight or fire.
- ▶ Do not take apart, squash or incinerate batteries and do not subject them to temperatures over 80 °C.
- ▶ Do not attempt to charge or continue to use damaged batteries.
- ▶ If the battery is too hot to touch, it may be defective. In this case, place the power tool in a non-flammable location, well away from flammable materials, where it can be kept under observation and left to cool down. Contact **Hilti** Service after the battery has cooled down.

## 3 Description

### 3.1 Product overview 1

- |  |  |
|--|--|
| ① Battery  | ⑧ Lever for tensioning bandsaw blade       |
| ② Control switch safety lock (switch-on interlock) | ⑨ Side handle (insulated gripping surface) |
| ③ Control switch                                   | ⑩ Battery release button                   |
| ④ Grip (insulated gripping surface)                | ⑪ Battery state of charge indicator        |
| ⑤ Guide  | ⑫ Roller for bandsaw blade                 |
| ⑥ Bandsaw blade                                    | ⑬ Blade guide                              |
| ⑦ Direction-of-rotation arrow on casing            | ⑭ Rubber ring                              |

### 3.2 Product overview 2

- ⑮ Saw blade guard
- ⑯ Saw blade guard fastening screw

### 3.3 Intended use

The product described is a cordless bandsaw. It is designed for cutting metals and plastics. The product is designed for two-handed operation.

- ▶ Use only **Hilti** Li-ion batteries of the B 18 / B 22 series with this product.
- ▶ Use only **Hilti** battery chargers of the C4/36 series to charge these batteries.

### 3.4 Possible misuse

- ▶ Do not use the power tool to cut bricks, concrete, cellular concrete, natural stone or tiles.
- ▶ Do not use the product to cut pipes containing liquids.
- ▶ Do not saw into unknown materials.

### 3.5 Li-ion battery status indicator

The charge state of the Li-ion battery and malfunctions of the power tool are indicated by the indicator of the Li-ion battery. Press either of the battery release buttons to check the charge state of the Li-Ion battery.

Status	Meaning
4 LEDs light up.	• Charge state: 75 % to 100 %
3 LEDs light up.	• Charge state: 50 % to 75 %
2 LEDs light up.	• Charge state: 25 % to 50 %
1 LED lights up.	• Charge state: 10 % to 25 %
1 LED flashes.	• Charge state: < 10 %
1 LED flashes, the power tool is not in working order.	• The battery has overheated or is completely discharged.
4 LEDs flash, the power tool is not in working order.	• The power tool is overloaded or has overheated.



#### Note

Battery charge state cannot be indicated while the control switch is pressed and for 5 seconds after the control switch has been released. If the LEDs of the charge state indicator flash, follow the instructions in the 'Troubleshooting' section.

### 3.6 Items supplied.

Bandsaw, operating instructions.



#### Note

To help ensure safe and reliable operation, use only genuine Hilti spare parts and consumables. Spare parts, consumables and accessories approved by Hilti for use with the product can be found at your local **Hilti Center** or online at: **www.hilti.com**

## 4 Technical data

### 4.1 Bandsaw

	SB 4-A22
Rated voltage	21.6 V
Ambient temperature	1 °F ... 140 °F (-17 °C ... 60 °C)
Weight	9 lb (4 kg)
No-load speed	548 ft/min (167 m/min)
Max. cutting depth	2.50 in (63.5 mm)
Dimensions, bandsaw blade (Length x width x thickness)	28.875 in x 0.05 in x 0.02 in (733 mm x 12.7 mm x 0.5 mm)

## 5 Operation

### 5.1 Safe operation



#### CAUTION

**Risk of injury!** Inadvertent starting of the product.

- ▶ Remove the battery before making any adjustments to the power tool or before changing accessories.

- ▶ Press and hold down the two release buttons.

- ▶ Pull the battery forward and out of the product.

## 5.2 Inserting/changing the bandsaw blade 5



### WARNING

**Risk of damage** An unsuitable or incorrectly fitted bandsaw blade can damage the saw.

- ▶ Use only bandsaw blades that are suitable for this saw.



### WARNING

**Risk of injury** by contact with the bandsaw blade.

- ▶ Wear protective gloves when fitting the bandsaw blade.

1. Slacken the 2 screws securing the blade cover and remove the cover.
2. Turn the side handle counterclockwise to unscrew it from the casing of the bandsaw.
3. Swivel the lever in the direction of rotation through its full 180 ° of travel.



### Note

The side handle has to be removed to allow the lever to pivot.

4. Slip the bandsaw blade into the blade guides, one after the other. The back of the blade must touch the bearings in the bottom of the blade guides.
5. Slip the bandsaw blade over both rollers, one after the other.
6. Swivel the lever in the direction of rotation through its full 180 ° of travel.
7. Check that the bandsaw blade tool is correctly guided over both rollers.
8. Reinstall the blade cover.
  - ◀ Make sure that the cover is correctly seated.
9. Engage the threads of the side handle and turn it clockwise to screw it into the casing of the bandsaw.
10. Check that the bandsaw blade is correctly seated by repeatedly switching the bandsaw on and then off again.

## 5.3 Fitting the side handle 6



### CAUTION

**Risk of injury** Loss of control over the bandsaw.

- ▶ Use the product only with the side handle fitted. Screw the side handle into the corresponding tapped hole in the casing.

- ▶ Fit the side handle.

## 5.4 Replacing the rubber ring 7

1. Remove the battery. → page 7
2. Slacken the 2 screws securing the blade cover and remove the cover.
3. Turn the side handle counterclockwise to unscrew it from the casing of the bandsaw.
4. Pivot the lever in the direction of rotation through its full 180° of travel.



### Note

The side handle has to be removed to allow the lever to pivot.

5. Remove the bandsaw blade.
6. Check that the guide grooves are free of foreign matter and clean them if necessary.
7. Remove the rubber ring.
8. Pull the new rubber ring over the roller for the bandsaw blade.
9. Push the rubber ring fully into the guide recess.
  - ◀ The rubber ring lies correctly in the guide recess.
  - ▼ The rubber ring does not lie correctly in the guide recess.
    - ▶ Realign the rubber ring.
10. Slip the bandsaw blade into the blade guides, one after the other. The back of the blade must touch the bearings in the bottom of the blade guides.

11. Slip the bandsaw blade over both rollers, one after the other.
12. Pivot the lever in the direction of rotation through its full 180° of travel.
13. Check that the bandsaw blade tool is correctly guided over both rollers.
14. Refit the blade cover.
  - ◀ Make sure that the cover is correctly seated.
15. Screw the side handle into the casing of the bandsaw, turning the side handle clockwise.
16. Check that the bandsaw blade is correctly seated by repeatedly switching the bandsaw on and then off again.

## 5.5 Inserting the battery



### WARNING

**Electrical hazard** Risk of short-circuit.

- ▶ Before inserting the battery, check that the battery contacts and the contacts on the saw are free of foreign matter.



### WARNING

**Risk of injury** Falling battery hazard.

- ▶ A falling battery could injure you or others. Check that the battery is securely engaged in the bandsaw.

- ▶ From the front, push the battery back into the product until it engages with an audible double click.

## 5.6 Removing the battery

1. Press and hold down the two release buttons.
2. Pull the battery forward and out of the product.

## 5.7 Switching on

1. Press the safety lock.
2. Press the control switch.



### Note

For safety reasons, the control switch cannot be locked and has to be held down while the tool is in operation.

## 5.8 Switching off



### WARNING

**Risk of injury** by saw run-on.

- ▶ Do not lift the product away from the workpiece until it has stopped completely.
- ▶ Wait until the product stops completely before you lay it down.

- ▶ Release the control switch.

## 5.9 Alignment, workpiece

- ▶ Bring the workpiece and the bandsaw into alignment.



### Note

Incorrect alignment increases the risk of kickback.

## 6 Care, maintenance, transport and storage

### 6.1 Care and maintenance of cordless tools



#### WARNING

**Risk of electric shock!** Attempting care and maintenance with the battery fitted in the tool can lead to severe injury and burns.

- ▶ Always remove the battery before carrying out care and maintenance tasks!

#### Care and maintenance of the tool

- Carefully remove stubborn dirt from the tool.
- Clean the air vents carefully with a dry brush.
- Use only a slightly damp cloth to clean the casing. Do not use cleaning agents containing silicone as these may attack the plastic parts.

#### Care of the Li-ion batteries

- Keep the battery free from oil and grease.
- Use only a slightly damp cloth to clean the casing. Do not use cleaning agents containing silicone as these may attack the plastic parts.
- Avoid ingress of moisture.

#### Maintenance

- Check all visible parts and controls for signs of damage at regular intervals and make sure that they all function correctly.
- Do not operate the cordless tool if signs of damage are found or if parts malfunction. Have the tool repaired by **Hilti** Service immediately.
- After cleaning and maintenance, fit all guards or protective devices and check that they function correctly.

### 6.2 Transport and storage of cordless tools

#### Transport



#### CAUTION

**Inadvertent starting during transport.** Uncontrolled starting during transport may occur if the battery is fitted, thereby resulting in damage to the tool.

- ▶ Always remove the battery before transporting the tool.

- ▶ Remove the battery.
- ▶ Transport the tool and batteries individually packaged.
- ▶ Never transport batteries in bulk form (loose, unprotected).
- ▶ Check the tool and batteries for damage before use after long periods of transport.

#### Storage



#### CAUTION

**Inadvertent damage caused by defective battery.** A leaking battery may damage the tool.

- ▶ Always remove the battery before storing the tool.

- ▶ Store the tool and batteries in a place that is as cool and dry as possible.
- ▶ Never store batteries in direct sunlight, on heating units or behind a window pane.
- ▶ Store the tool and batteries in a place where they cannot be accessed by children or unauthorized persons.
- ▶ Check the tool and batteries for damage before use after long periods of storage.

## 7 Troubleshooting

If the trouble you are experiencing is not listed in this table or you are unable to remedy the problem by yourself, please contact **Hilti** Service.

## 7.1 Bandsaw is not in working order

Malfunction	Possible cause	Action to be taken
No response from the LEDs.	The battery is not correctly inserted.	▶ Push the battery in until it engages with a double click.
	The battery is empty.	▶ Charge the battery.
	Safety lock not pressed.	▶ Press the safety lock.
1 LED flashes.	The battery is discharged.	▶ Change the battery and charge the empty battery.
	The battery is too hot or too cold.	▶ Bring the battery to the recommended working temperature.
4 LEDs flash.	Bandsaw momentarily overloaded.	▶ Release the control switch and then press it again.
	Bandsaw too hot.	▶ Allow the bandsaw to cool down.
	Tool is blocked	▶ Check whether the saw blade is fitted correctly and/or damaged.

## 7.2 Bandsaw is in working order

Trouble or fault	Possible cause	Action to be taken
The tool does not develop full power.	The control switch is not fully pressed.	▶ Press the control switch fully.
	The battery is discharged.	▶ Change the battery and charge the empty battery.

## 8 Disposal



### WARNING

**Risk of injury.** Hazards presented by improper disposal.

- ▶ Improper disposal of the equipment may have the following consequences: The burning of plastic components generates toxic fumes which may present a health hazard. Batteries may explode if damaged or exposed to very high temperatures, causing poisoning, burns, acid burns or environmental pollution. Careless disposal may permit unauthorized and improper use of the equipment. This may result in serious personal injury, injury to third parties and pollution of the environment.
- ▶ Dispose of defective batteries right away. Keep them out of reach of children. Do not disassemble or incinerate the batteries.
- ▶ Batteries that have reached the end of their life must be disposed of in accordance with national regulations or returned to **Hilti**.



Most of the materials from which **Hilti** tools and appliances are manufactured can be recycled. The materials must be correctly separated before they can be recycled. In many countries, your old tools, machines or appliances can be returned to **Hilti** for recycling. Ask **Hilti** Service or your Hilti representative for further information.



- ▶ Disposal of electric tools or appliances together with household waste is not permissible.

## 9 Manufacturer's warranty

- ▶ Please contact your local **Hilti** representative if you have questions about the warranty conditions.

## 1 Indications relatives à la documentation




### 1.1 À propos de cette documentation

- Lire intégralement la présente documentation avant la mise en service. C'est la condition préalablement requise pour assurer la sécurité du travail et un maniement sans perturbations.
- Bien respecter les consignes de sécurité et les avertissements de la présente documentation ainsi que celles figurant sur le produit.
- Toujours conserver le mode d'emploi à proximité du produit et uniquement le transmettre à des tiers avec ce mode d'emploi.

### 1.2 Explication des symboles



#### 1.2.1 Avertissements

Les avertissements attirent l'attention sur des dangers liés à l'utilisation du produit. Les termes de signalisation suivants sont utilisés en combinaison avec un symbole :

	<b>DANGER !</b> Pour un danger imminent qui peut entraîner de graves blessures corporelles ou la mort.
	<b>AVERTISSEMENT !</b> Pour un danger imminent potentiel qui peut entraîner de graves blessures corporelles ou la mort.
	<b>ATTENTION !</b> Pour attirer l'attention sur une situation pouvant présenter des dangers entraînant des blessures corporelles légères ou des dégâts matériels.





#### 1.2.2 Symboles dans la documentation

Les symboles suivants sont utilisés dans la présente documentation :

	Lire le mode d'emploi avant d'utiliser l'appareil
	Pour des conseils d'utilisation et autres informations utiles

#### 1.2.3 Symboles dans les illustrations

Les symboles suivants sont utilisés dans les illustrations :

	Ces chiffres renvoient à l'illustration correspondante au début du présent mode d'emploi.
	La numérotation détermine la séquence des étapes de travail dans l'image et peut se différencier de celles des étapes de travail dans le texte.
	Les numéros de position sont utilisés dans l'illustration <b>Vue d'ensemble</b> et renvoient aux numéros des légendes dans la section <b>Vue d'ensemble du produit</b> .
	Ce signe doit inviter à manier le produit en faisant particulièrement attention.

### 1.3 Informations produit

Les produits **Hilti** sont conçus pour les utilisateurs professionnels et ne doivent être utilisés, entretenus et réparés que par un personnel agréé et formé à cet effet. Ce personnel doit être au courant des dangers inhérents à l'utilisation de l'appareil. Le produit et ses accessoires peuvent s'avérer dangereux s'ils sont utilisés de manière incorrecte par un personnel non qualifié ou de manière non conforme à l'usage prévu.

La désignation du modèle et le numéro de série figurent sur sa plaque signalétique.

- Inscrivez le numéro de série dans le tableau suivant. Les informations produit vous seront demandées lorsque vous contactez nos revendeurs ou services après-vente.

#### Caractéristiques produit

Scie à ruban	SB 4-A22
Génération :	01
N° de série :	



## 1.4 Déclaration de conformité

Nous déclarons sous notre seule et unique responsabilité que le produit décrit ici est conforme aux directives et normes en vigueur. Une copie de l'attestation délivrée par l'organisme de certification se trouve en fin de la présente documentation.

Pour obtenir les documentations techniques, s'adresser à :

Hilti Entwicklungsgesellschaft mbH | Zulassung Geräte | Hiltistraße 6 | 86916 Kaufering, DE

## 2 Sécurité

### 2.1 Indications générales de sécurité pour les appareils électriques

**⚠ AVERTISSEMENT Lire toutes les consignes de sécurité et instructions, illustrations et caractéristiques techniques, qui accompagnent cet outil électroportatif.** Tout manquement à l'observation des instructions suivantes risque de provoquer une électrocution, un incendie et/ou de graves blessures.

**Les consignes de sécurité et instructions doivent être intégralement conservées pour les utilisations futures.**

La notion d'« outil électroportatif » mentionnée dans les consignes de sécurité se rapporte à des outils électriques raccordés au secteur (avec câble d'alimentation) et à des outils électriques sur accu (sans câble d'alimentation).

#### Sécurité sur le lieu de travail

- ▶ **Conserver la zone de travail propre et bien éclairée.** Un lieu de travail en désordre ou mal éclairé augmente le risque d'accidents.
- ▶ **Ne pas faire fonctionner les outils électriques en atmosphère explosive et où se trouvent des liquides, des gaz ou poussières inflammables.** Les outils électriques produisent des étincelles qui peuvent enflammer les poussières ou les fumées.
- ▶ **Maintenir les enfants et les personnes présentes à l'écart pendant l'utilisation de l'outil électroportatif.** En cas d'inattention il y a risque de perdre le contrôle de l'appareil.

#### Sécurité relative au système électrique

- ▶ **La fiche de secteur de l'outil électroportatif doit être adaptée à la prise de courant. Ne jamais modifier la fiche de quelque façon que ce soit. Ne pas utiliser d'adaptateurs avec des outils électriques à branchement de terre.** Des fiches non modifiées et des prises de courant adaptées réduiront le risque de choc électrique.
- ▶ **Éviter le contact physique avec des surfaces mises à la terre tels que tuyaux, radiateurs, cuisinières et réfrigérateurs.** Il y a un risque élevé de choc électrique au cas où votre corps serait relié à la terre.
- ▶ **Ne pas exposer les outils électroportatifs à la pluie ou à l'humidité.** La pénétration d'eau à l'intérieur d'un outil électroportatif augmentera le risque d'un choc électrique.
- ▶ **Ne jamais utiliser le câble de raccordement à d'autres fins que celles prévues, telles que pour porter, accrocher ou débrancher l'outil électroportatif de la prise de courant. Maintenir le câble de raccordement à l'écart de la chaleur, des parties grasses, des bords tranchants ou des parties en mouvement.** Des câbles de raccordement endommagés ou emmêlés augmentent le risque de choc électrique.
- ▶ **Si l'outil électroportatif est utilisé à l'extérieur, utiliser uniquement des câbles de rallonge homologués pour les applications extérieures.** L'utilisation d'un câble de rallonge homologué pour les applications extérieures réduit le risque d'un choc électrique.
- ▶ **Si l'utilisation de l'outil électrique dans un environnement humide ne peut pas être évitée, utiliser un interrupteur de protection contre les courants de court-circuit.** L'utilisation d'un tel interrupteur de protection réduit le risque d'une décharge électrique.

#### Sécurité des personnes

- ▶ **Rester vigilant, surveiller ce que l'on fait. Faire preuve de bon sens en utilisant l'outil électroportatif. Ne pas utiliser l'outil électroportatif en étant fatigué ou sous l'emprise de l'alcool, de drogues ou de médicaments.** Un moment d'inattention lors de l'utilisation de l'outil électroportatif peut entraîner des blessures graves.
- ▶ **Utiliser un équipement de protection personnel et toujours porter une protection pour les yeux.** Les équipements de protection personnels tels que masque antipoussière, chaussures de sécurité antidérapantes, casque de protection ou protection acoustique suivant l'utilisation de l'outil électroportatif, réduiront le risque de blessures des personnes.
- ▶ **Éviter une mise en service par mégarde. S'assurer que l'outil électroportatif est arrêté avant de le brancher à la source de courant et/ou à l'accu, de le prendre ou de le porter.** Le fait de porter l'outil

électroportatif avec le doigt sur l'interrupteur ou de brancher l'appareil sur la source de courant lorsque l'interrupteur est en position de fonctionnement peut entraîner des accidents.

- ▶ **Retirer tout outil de réglage ou toute clé avant de mettre l'outil électroportatif en fonctionnement.** Une clé ou un outil se trouvant sur une partie en rotation peut causer des blessures.
- ▶ **Adopter une bonne posture. Veiller à toujours garder une position stable et équilibrée.** Cela permet un meilleur contrôle de l'outil électroportatif dans des situations inattendues.
- ▶ **S'habiller de manière adaptée. Ne pas porter de vêtements amples ni de bijoux. Garder les cheveux, les vêtements et les gants à distance des parties en mouvement.** Des vêtements amples, des bijoux ou des cheveux longs peuvent être happés par des parties en mouvement.
- ▶ **Si des dispositifs servant à aspirer ou à recueillir les poussières doivent être utilisés, s'assurer qu'ils sont effectivement raccordés et correctement utilisés.** L'utilisation d'un dispositif d'aspiration de la poussière peut réduire les risques dus aux poussières.
- ▶ **Ne pas sous-estimer les mesures de sécurité à prendre et ne pas ignorer sciemment les règles de sécurité applicables aux outils électriques, même si l'on est utilisateur chevronné après de fréquentes utilisations de l'outil électroportatif.** Un manque d'attention peut conduire à de graves blessures en quelques fractions de seconde.

#### Utilisation et maniement de l'outil électroportatif

- ▶ **Ne pas forcer l'appareil. Utiliser l'outil électroportatif adapté au travail à effectuer.** Un outil électroportatif approprié réalisera mieux le travail et de manière plus sûre au régime pour lequel il a été conçu.
- ▶ **Ne pas utiliser d'outil électroportatif dont l'interrupteur est défectueux.** Tout outil électroportatif qui ne peut plus être mis en ou hors fonctionnement est dangereux et doit être réparé.
- ▶ **Débrancher la fiche de la prise de courant et/ou l'accu amovible avant d'effectuer des réglages sur l'appareil, de changer les accessoires, ou de ranger l'appareil.** Cette mesure de précaution empêche une mise en fonctionnement par mégarde de l'outil électroportatif.
- ▶ **Conserver les outils électroportatifs non utilisés hors de portée des enfants. Ne permettre l'utilisation de l'appareil à aucune personne qui ne soit pas familiarisée avec celui-ci ou qui n'a pas lu ces instructions.** Les outils électroportatifs sont dangereux lorsqu'ils sont entre les mains de personnes non initiées.
- ▶ **Prendre soin des outils électroportatifs et des accessoires. Vérifier que les parties en mouvement fonctionnent correctement et qu'elles ne sont pas coincées, et contrôler si des parties sont cassées ou endommagées de sorte que le bon fonctionnement de l'outil électroportatif s'en trouve entravé. Faire réparer les parties endommagées avant d'utiliser l'appareil.** De nombreux accidents sont dus à des outils électroportatifs mal entretenus.
- ▶ **Garder les outils de coupe affûtés et propres.** Des outils destinés à couper correctement entretenus avec des arêtes de coupe tranchantes sont moins susceptibles de bloquer et sont plus faciles à contrôler.
- ▶ **L'outil électroportatif, les accessoires, les outils amovibles, etc. doivent être utilisés conformément à ces instructions. Tenir également compte des conditions de travail et du travail à réaliser.** L'utilisation des outils électroportatifs à d'autres fins que celles prévues peut entraîner des situations dangereuses.
- ▶ **Veiller à ce que les poignées et surfaces de préhension soient toujours être sèches, propres et exemptes de traces de graisse ou d'huile.** Avec des poignées et surfaces de préhension glissantes, la sécurité et le contrôle de l'outil électroportatif ne peuvent être assurés dans des situations inopinées.

#### Utilisation et maniement de l'outil sur accu

- ▶ **Ne charger les accus que dans des chargeurs recommandés par le fabricant.** Si un chargeur approprié à un type spécifique d'accus est utilisé avec des accus non recommandés pour celui-ci, il y a risque d'incendie.
- ▶ **Dans les outils électroportatifs, utiliser uniquement les accus spécialement prévus pour ceux-ci.** L'utilisation de tout autre accu peut entraîner des blessures et des risques d'incendie.
- ▶ **Tenir l'accu non utilisé à l'écart de tous objets métalliques tels qu'agrafes, pièces de monnaie, clés, clous, vis ou autres, étant donné qu'un pontage peut provoquer un court-circuit.** Un court-circuit entre les contacts d'accu peut provoquer des brûlures ou un incendie.
- ▶ **En cas d'utilisation abusive, du liquide peut sortir de l'accu. Éviter tout contact avec ce liquide. En cas de contact par mégarde, rincer soigneusement avec de l'eau. Au cas où le liquide rentrerait dans les yeux, consulter en plus un médecin.** Le liquide qui sort de l'accu peut entraîner des irritations de la peau ou causer des brûlures.
- ▶ **Ne pas utiliser d'accu endommagé ou modifié.** Des accus endommagés ou modifiés peuvent avoir un comportement imprévisible et provoquer un incendie, une explosion ou engendrer un risque de blessures.

- ▶ **Ne jamais exposer l'accu au feu ou à des températures trop élevées.** Le feu ou des températures supérieures à 130 °C risquent de provoquer une explosion.
- ▶ **Suivre toutes les instructions de charge et ne jamais charger l'accu ou l'outil sur accu hors de la plage de températures spécifiée dans le manuel d'utilisation.** Une charge inappropriée ou hors de la plage de températures spécifiée risque d'endommager l'accu et accroître le risque d'incendie.

#### Service

- ▶ **L'outil électroportatif doit uniquement être réparé par un personnel qualifié et seulement avec des pièces de rechange d'origine.** Ceci permet d'assurer la sécurité de l'appareil.
- ▶ **Ne jamais entretenir d'accus endommagés.** Toutes les opérations d'entretien sur des accus doivent exclusivement être réalisées par le fabricant ou un prestataire de service client agréé.

### 2.2 Consignes de sécurité pour scies à ruban

- ▶ **Tenir l'outil électroportatif par les surfaces isolées des poignées lors des travaux pendant lesquels l'outil amovible utilisé risque de toucher des câbles électriques cachés.** Le contact avec un câble sous tension risque aussi de mettre les parties métalliques de l'appareil sous tension et de provoquer une décharge électrique.

### 2.3 Consignes de sécurité supplémentaires

- ▶ Utiliser le produit uniquement s'il est en parfait état.
- ▶ Ne jamais entreprendre de manipulation ni de modification sur l'appareil.
- ▶ Ne pas utiliser de lames de scie émoussées ou endommagées. Celles-ci entraîneraient une friction élevée, un coincement de la lame de scie et un contrecoup.
- ▶ Avant d'entamer le travail, vérifier qu'il n'y a pas de câbles ou gaines électriques, tuyaux de gaz ou d'eau cachés dans la zone d'intervention. Toutes pièces métalliques extérieures de l'appareil sont susceptibles de provoquer une décharge électrique si un câble électrique est endommagé par inadvertance.
- ▶ Fixer la pièce sur un support stable. Ne jamais tenir la pièce à scier avec la main ou sur la jambe.
- ▶ Seulement mettre le produit en marche lorsqu'il est dans la position de travail.
- ▶ Lors de la coupe, toujours effectuer des mouvements s'éloignant de soi.
- ▶ Travailler avec une pression d'appui modérée et une vitesse de coupe appropriée, notamment dans le cas de tuyaux de grand diamètre. Ceci permet d'éviter une surchauffe de l'appareil.
- ▶ En cas de séparation de conduites, d'abord s'assurer que celles-ci ne contiennent plus aucun liquide. Les vider si nécessaire.
- ▶ En cas de séparation des conduites, tenir l'appareil plus haut que la conduite à séparer.
  - ◀ L'appareil ne dispose d'aucune protection contre la pénétration d'humidité. Le liquide s'écoulant peut provoquer un court-circuit dans l'appareil.
- ▶ Ne pas scier dans des sous-sols de nature inconnue et libérer la surface de coupe de tout obstacle en haut et en bas.
  - ◀ Si elle percute un objet, la lame de scie peut provoquer un mouvement de recul sur l'appareil.
- ▶ Porter aussi des gants de protection pour changer d'outil. Risque de blessures par coupure et de brûlures au contact avec l'outil amovible.
- ▶ Toujours retirer l'accu si l'appareil n'est pas utilisé, avant de procéder à l'entretien, de remplacer des outils ou pendant le transport.
- ▶ Pour le stockage ou le transport de l'appareil, activer la sécurité de transport.
- ▶ Respecter les instructions du fabricant relatives au maniement et au stockage des lames de scie.

### 2.4 Utilisation et emploi soigneux des accus

- ▶ Respecter les directives spécifiques relatives au transport, au stockage et à l'utilisation des accus Li-Ion.
- ▶ Ne pas exposer les accus à des températures élevées, ni au rayonnement direct du soleil ni au feu.
- ▶ Les accus ne doivent pas être démontés, écrasés, chauffés à une température supérieure à 80 °C ou jetés au feu.
- ▶ Des accus Li-Ion endommagés ne doivent être ni utilisés, ni chargés.
- ▶ Si l'accu est trop chaud pour être touché, il est probablement défectueux. Déposer l'appareil à un endroit non inflammable d'où il peut être surveillé, suffisamment loin de matériaux potentiellement inflammables et le laisser refroidir. Contacter le S.A.V. **Hilti** une fois l'accu refroidi.

### 3 Description

#### 3.1 Vue d'ensemble du produit 1

- |   |  |   |  |
|---|--|---|--|
| ① | Accu   | ⑧ | Levier de réglage de la tension de la lame de scie à ruban |
| ② | Sécurité anti-démarrage du variateur électronique de vitesse | ⑨ | Poignée latérale (surface de préhension isolée)            |
| ③ | Variateur électronique de vitesse                            | ⑩ | Bouton de déverrouillage de l'accu                         |
| ④ | Poignée (surface de préhension isolée)                       | ⑪ | Indicateur de l'état de charge de l'accu                   |
| ⑤ | Auxiliaire de guidage  | ⑫ | Poulie pour lame de scie à ruban                           |
| ⑥ | Lame de scie à ruban   | ⑬ | Guide-lame   |
| ⑦ | Flèche indiquant le sens de rotation sur le carter           | ⑭ | Bague d'étanchéité   |

#### 3.2 Vue d'ensemble du produit 2

- ⑮ Capot de protection de lame de scie
- ⑯ Vis de fixation du capot de protection de lame de scie

#### 3.3 Utilisation conforme à l'usage prévu

Le produit décrit est une scie à ruban sans fil. Elle est conçue pour des travaux de sciage dans des matériaux métalliques et plastiques.

Le produit doit être tenu avec les deux mains.

- ▶ Pour ce produit, utiliser exclusivement les accus Li-Ion **Hilti** de la série B 18 / B 22.
- ▶ Pour ces accus, utiliser exclusivement les chargeurs **Hilti** de la série C4/36.

#### 3.4 Mauvaise utilisation possible

- ▶ Ne pas scier de la brique, du béton, du béton cellulaire, de la pierre naturelle ou du carrelage.
- ▶ Ne pas utiliser le produit pour scier des conduites contenant encore du liquide.
- ▶ Ne pas scier dans des sous-sols de nature inconnue.

#### 3.5 Affichage de l'état des accus Li-Ion

L'état de charge de l'accu Li-Ion ainsi que les dysfonctionnements de l'appareil sont signalés par le biais de l'affichage de l'accu Li-Ion. L'état de charge de l'accu Li-Ion peut être visualisé en appuyant légèrement sur l'un des deux boutons de déverrouillage.

État	Signification
4 LED allumées.	• État de charge : 75 % à 100 %
3 LED allumées.	• État de charge : 50 % à 75 %
2 LED allumées.	• État de charge : 25 % à 50 %
1 LED allumée.	• État de charge : 10 % à 25 %
1 LED clignote.	• État de charge : < 10 %
1 LED clignote, l'appareil n'est pas prêt à fonctionner.	• L'accu surchauffe ou est complètement déchargé.
4 LED clignotent, l'appareil n'est pas prêt à fonctionner.	• Charge excessive ou surchauffe de l'appareil.



#### Remarque

Il n'est pas possible d'interroger l'indicateur de l'état de charge lorsque le variateur électronique de vitesse est actionné et jusqu'à 5 secondes après avoir relâché le variateur électronique de vitesse. Si les LED de l'affichage de l'accu clignotent, se reporter au chapitre Aide au dépannage.

#### 3.6 Éléments livrés.

Scie à ruban, mode d'emploi.



### Remarque

Pour une utilisation en toute sécurité, utiliser uniquement des pièces de rechange et consommables d'origine. Vous trouverez les pièces de rechange, consommables et accessoires autorisés par Hilti convenant pour votre produit dans le centre **Hilti** ou sous : **www.hilti.com**

## 4 Caractéristiques techniques

### 4.1 Scie à ruban

	<b>SB 4-A22</b>
<b>Tension de référence</b>	21,6 V
<b>Température ambiante</b>	1 °F ... 140 °F (-17 °C ... 60 °C)
<b>Poids</b>	9 lb (4 kg)
<b>Vitesse de rotation à vide</b>	548 ft/min (167 m/min)
<b>Profondeur de coupe max.</b>	2,50 in (63,5 mm)
<b>Dimensions de la lame de scie à ruban (Longueur x Largeur x Épaisseur)</b>	28,875 in x 0,05 in x 0,02 in (733 mm x 12,7 mm x 0,5 mm)

## 5 Utilisation

### 5.1 Comportement conforme à la sécurité 4



#### ATTENTION

**Risque de blessures** ! Mise en marche inopinée du produit.

- ▶ Retirer le bloc-accu, avant d'effectuer des réglages sur l'appareil ou de changer les accessoires.

- ▶ Appuyer sur les deux boutons de déverrouillage et les maintenir enfoncés.
- ▶ Extraire l'accu du produit vers l'avant.

### 5.2 Mise en place/Remplacement de la lame de scie à ruban 5



#### AVERTISSEMENT

**Risque d'endommagement** Des lames de scie à ruban inappropriées ou mal mises en place risquent d'endommager la scie.

- ▶ Utiliser uniquement des lames de scie à ruban qui conviennent pour cette scie.



#### AVERTISSEMENT

**Risque de blessures** en touchant la lame de scie à ruban.

- ▶ Pour le montage de la lame de scie à ruban, porter des gants de protection.

1. Desserrer les 2 vis du capot de lame de scie et enlever le capot.
2. Visser la poignée latérale dans le sens antihoraire pour l'enlever du carter de la scie à ruban.
3. Faire pivoter le levier de 180° dans le sens de rotation jusqu'en butée.



### Remarque

La poignée latérale doit être démontée pour pouvoir actionner le levier.

4. Introduire successivement la lame de scie à ruban dans les guides de lame de scie. La face inférieure de la lame de scie doit toucher le palier dans la partie inférieure des guides de lame de scie.
5. Mettre progressivement la lame de scie à ruban autour des deux poulies.
6. Faire pivoter le levier de 180° dans le sens de rotation jusqu'en butée.

7. Vérifier que la lame de scie à ruban est bien guidée autour des deux poulies.
8. Remettre le capot de lame de scie en place.
  - ◀ Ce faisant, veiller à ce que le capot soit bien en place.
9. Visser la poignée latérale dans le sens horaire dans le carter de la scie à ruban.
10. Vérifier que la lame de scie à ruban est bien en place, mettre à cet effet la scie à ruban brièvement en marche puis l'arrêter plusieurs fois.

### 5.3 Montage de la poignée latérale 6



#### ATTENTION

**Risque de blessures** Perte de contrôle de la scie à ruban.

- ▶ Utiliser le produit uniquement en le tenant par la poignée latérale. Visser la poignée latérale dans l'orifice fileté correspondant dans le carter.

- ▶ Monter la poignée latérale.

### 5.4 Remplacement de la bague d'étanchéité 7

1. Retirer l'accu. → Page 17
2. Desserrer les 2 vis du capot de lame de scie et enlever le capot.
3. Visser la poignée latérale dans le sens antihoraire pour l'enlever du carter de la scie à ruban.
4. Faire pivoter le levier de 180° dans le sens de rotation jusqu'en butée.



#### Remarque

La poignée latérale doit être démontée pour pouvoir actionner le levier.

5. Enlever la lame de scie à ruban.
6. Vérifier que les rainures de guidage ne sont pas encrassées et, le cas échéant, les nettoyer.
7. Enlever la bague d'étanchéité.
8. Tendrer la nouvelle bague d'étanchéité sur la poulie de la lame de scie à ruban.
9. Introduire entièrement la bague d'étanchéité dans les rainures de guidage.
  - ◀ La bague d'étanchéité est jointive avec les rainures de guidage.
  - ▼ La bague d'étanchéité n'est pas jointive avec les rainures de guidage.
    - ▶ Redresser la bague d'étanchéité.
10. Introduire successivement la lame de scie à ruban dans les guides de lame de scie. La face inférieure de la lame de scie doit toucher le palier dans la partie inférieure des guides de lame de scie.
11. Mettre progressivement la lame de scie à ruban autour des deux poulies.
12. Faire pivoter le levier de 180° dans le sens de rotation jusqu'en butée.
13. Vérifier que la lame de scie à ruban est bien guidée autour des deux poulies.
14. Remettre le capot de lame de scie en place.
  - ◀ Ce faisant, veiller à ce que le capot soit bien en place.
15. Visser la poignée latérale dans le sens horaire dans le carter de la scie à ruban.
16. Vérifier que la lame de scie à ruban est bien en place, mettre à cet effet la scie à ruban brièvement en marche et à l'arrêt plusieurs fois.

### 5.5 Introduction de l'accu 3



#### AVERTISSEMENT

**Danger électrique** Danger de court-circuit.

- ▶ Avant d'insérer l'accu, s'assurer que les contacts de l'accu et les contacts de la scie sont exempts de tout corps étranger.



#### AVERTISSEMENT

**Risque de blessures** Danger engendré par la chute de l'accu.

- ▶ Une chute d'accu pourrait vous mettre en danger ou mettre en danger d'autres personnes. Vérifier que l'accu est bien en place dans la scie à ruban.

- ▶ Introduire l'accu dans le produit vers l'arrière, jusqu'à ce qu'il s'encliquette en butée avec un « double-clic » audible.

## 5.6 Retrait de l'accu 4

1. Appuyer sur les deux boutons de déverrouillage et les maintenir enfoncés.
2. Extraire l'accu du produit vers l'avant.

## 5.7 Mise en marche

1. Actionner la sécurité anti-démarrage.
2. Appuyer sur le variateur électronique de vitesse.



### Remarque

Pour des raisons de sécurité, le variateur électronique de vitesse ne peut pas être bloqué et doit être maintenu enfoncé en continu pendant le fonctionnement.

## 5.8 Arrêt



### AVERTISSEMENT

**Risque de blessures** car la scie continue de tourner.

- ▶ Relever le produit de la pièce travaillée seulement une fois qu'il est complètement arrêté.
  - ▶ Attendre jusqu'à ce que le produit soit complètement arrêté avant de le déposer.
- ▶ Relâcher le variateur électronique de vitesse.

## 5.9 Orientation de la pièce travaillée 3

- ▶ Orienter la pièce travaillée et la scie à ruban l'une vers l'autre.



### Remarque

Une mauvaise orientation augmente le risque de contrecoup.

## 6 Nettoyage, entretien, transport et entreposage

### 6.1 Nettoyage et entretien des appareils sans fil



### AVERTISSEMENT

**Risque d'électrocution !** Les travaux de nettoyage et d'entretien effectués avec accu inséré peuvent entraîner de graves blessures ou brûlures.

- ▶ Toujours retirer l'accu avant tous travaux de nettoyage et d'entretien !

#### Entretien de l'appareil

- Éliminer prudemment les saletés récalcitrantes.
- Nettoyer les ouïes d'aération avec précaution au moyen d'une brosse sèche.
- Nettoyer le boîtier uniquement avec un chiffon légèrement humidifié. Ne pas utiliser de nettoyants à base de silicone, ceci pourrait attaquer les pièces en plastique.

#### Entretien des accus Li-ion

- Veiller à ce que l'accu soit toujours propre et exempt de traces de graisse et d'huile.
- Nettoyer le boîtier uniquement avec un chiffon légèrement humidifié. Ne pas utiliser de nettoyants à base de silicone, ceci pourrait attaquer les pièces en plastique.
- Éviter toute pénétration d'humidité.

#### Entretien

- Vérifier régulièrement qu'aucune pièce visible n'est endommagée et que les organes de commande sont parfaitement opérationnels.
- En cas d'endommagements et/ou de dysfonctionnements, ne pas utiliser l'appareil sans fil. Le faire immédiatement réparer par le S.A.V. **Hilti**.
- Après des travaux de nettoyage et d'entretien, vérifier si tous les équipements de protection sont bien en place et fonctionnent parfaitement.

## 6.2 Transport et stockage des appareils sur accu

### Transport



#### ATTENTION

**Mise en marche inopinée lors du transport.** Si les accus n'ont pas été retirés, il y a risque de mise en marche inopinée lors du transport de l'appareil, et que celui-ci soit alors endommagé.

- ▶ Toujours retirer les accus avant de transporter l'appareil.

- ▶ Retirer les accus.
- ▶ Transporter l'appareil et les accus emballés séparément.
- ▶ Ne jamais transporter les accus en vrac.
- ▶ Avant toute utilisation consécutive à un transport prolongé de l'appareil et des accus, toujours vérifier qu'ils ne sont pas endommagés.

### Stockage



#### ATTENTION

**Endommagement involontaire du fait d'accus défectueux.** Des accus qui coulent risquent d'endommager l'appareil.

- ▶ Toujours retirer les accus avant de stocker l'appareil.

- ▶ Stocker l'appareil et les accus si possible au frais et au sec.
- ▶ Ne jamais stocker les accus exposés au soleil, sur des installations de chauffage ou derrière des vitres.
- ▶ Stocker l'appareil et les accus hors de portée des enfants et des personnes non autorisées.
- ▶ Avant toute utilisation consécutive à un stockage prolongé de l'appareil et des accus, toujours vérifier qu'ils ne sont pas endommagés.

## 7 Aide au dépannage

En cas de défaillances non énumérées dans ce tableau ou auxquelles il n'est pas possible de remédier sans aide, contacter le S.A.V. **Hilti**.

### 7.1 La scie à ruban n'est pas opérationnelle

Défaillance	Causes possibles	Solution
Les LED n'indiquent rien.	L'accu n'est pas complètement encliqueté.	▶ Encliqueter l'accu d'un « double-clic ».
	L'accu est vide.	▶ Retirer l'accu.
	Sécurité anti-démarrage non actionnée.	▶ Actionner la sécurité anti-démarrage.
1 LED clignote.	Décharger l'accu.	▶ Remplacer l'accu et charger l'accu vide.
	Accu trop chaud ou trop froid.	▶ Amener l'accu à la température de service recommandée.
4 LED clignent.	Scie à ruban momentanément surchargée.	▶ Relâcher le variateur électronique de vitesse et l'actionner à nouveau.
	Scie à ruban trop chaude.	▶ Laisser la scie à ruban refroidir.
	Appareil bloqué	▶ Vérifier que la lame de scie est correctement montée et/ou n'est pas endommagée.

### 7.2 La scie à ruban est opérationnelle

Défaillance	Causes possibles	Solution
L'appareil n'atteint pas la pleine puissance.	Le variateur électronique de vitesse n'est pas complètement enfoncé.	▶ Enfoncer complètement le variateur électronique de vitesse.
	Décharger l'accu.	▶ Remplacer l'accu et charger l'accu vide.



## 8 Recyclage



### AVERTISSEMENT

**Risque de blessures.** Danger en cas de recyclage incorrect.

- ▶ En cas de recyclage incorrect du matériel, les risques suivants peuvent se présenter : La combustion de pièces en plastique risque de dégager des fumées et gaz toxiques nocifs pour la santé. Les batteries abîmées ou fortement échauffées peuvent exploser, causer des empoisonnements ou intoxications, des brûlures (notamment par acides), voire risquent de polluer l'environnement. En cas de recyclage sans précautions, des personnes non autorisées risquent d'utiliser le matériel de manière incorrecte. Ce faisant, il y a risque de se blesser sérieusement, d'infliger de graves blessures à des tierces personnes et de polluer l'environnement.
- ▶ Éliminer sans tarder les accus défectueux. Les tenir hors de portée des enfants. Ne pas détruire les accus ni les incinérer.
- ▶ Éliminer les accus conformément aux prescriptions nationales en vigueur ou restituer les accus ayant servi à **Hilti**.



Les appareils **Hilti** sont fabriqués pour une grande partie en matériaux recyclables. Le recyclage présuppose un tri adéquat des matériaux. **Hilti** reprend les appareils usagés dans de nombreux pays en vue de leur recyclage. Consulter le service clients **Hilti** ou un conseiller commercial.



- ▶ Ne pas jeter les appareils électriques dans les ordures ménagères !

## 9 Garantie constructeur

- ▶ En cas de questions sur les conditions de garantie, veuillez vous adresser à votre partenaire **Hilti** local.

## 1 Información sobre la documentación




### 1.1 Acerca de esta documentación

- Lea detenidamente esta documentación antes de la puesta en servicio. Ello es imprescindible para un trabajo seguro y un manejo sin problemas.
- Respete las indicaciones de seguridad y las advertencias presentes en esta documentación y en el producto.
- Conserve este manual de instrucciones siempre junto con el producto y entregue el producto a otras personas siempre acompañado del manual.

### 1.2 Explicación de símbolos



#### 1.2.1 Avisos

Las advertencias de seguridad advierten de peligros derivados del manejo del producto. Las siguientes palabras de peligro se utilizan combinadas con un símbolo:

	<b>¡PELIGRO!</b> Término utilizado para un peligro inminente que puede ocasionar lesiones graves o incluso la muerte.
	<b>¡ADVERTENCIA!</b> Término utilizado para un posible peligro inminente que puede ocasionar lesiones graves o incluso la muerte.
	<b>PRECAUCIÓN</b> Término utilizado para una posible situación peligrosa que puede ocasionar lesiones leves o daños materiales.


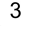


#### 1.2.2 Símbolos en la documentación

En esta documentación se utilizan los siguientes símbolos:

	Leer el manual de instrucciones antes del uso
	Indicaciones de uso y demás información de interés

#### 1.2.3 Símbolos en las figuras

En las figuras se utilizan los siguientes símbolos:

	Estos números hacen referencia a la figura correspondiente incluida al principio de este manual.
	La numeración describe el orden de los pasos de trabajo en la imagen y puede ser diferente de los pasos descritos en el texto.
	En la figura <b>Vista general</b> se utilizan números de posición y los números de la leyenda están explicados en el apartado <b>Vista general del producto</b> .
	Preste especial atención a este símbolo cuando utilice el producto.

### 1.3 Información del producto

Los productos **Hilti** han sido diseñados para usuarios profesionales y solo deben ser manejados, conservados y reparados por personal autorizado y debidamente formado. Este personal debe estar especialmente instruido en lo referente a los riesgos de uso. La utilización del producto y sus dispositivos auxiliares puede conllevar riesgos para el usuario en caso de manejarse de forma inadecuada por personal no cualificado o utilizarse para usos diferentes a los que están destinados.

La denominación del modelo y el número de serie están indicados en la placa de identificación.

- ▶ Traspase el número de serie a la siguiente tabla. Necesitará los datos del producto para realizar consultas a nuestros representantes o al Departamento de Servicio Técnico.

#### Datos del producto

Sierra de cinta	SB 4-A22
Generación:	01
N.º de serie:	

## 1.4 Declaración de conformidad

Bajo nuestra exclusiva responsabilidad, declaramos que el producto aquí descrito cumple con las directivas y normas vigentes. Encontrará una reproducción del organismo certificador al final de esta documentación. La documentación técnica se encuentra depositada aquí:

Hilti Entwicklungsgesellschaft mbH | Zulassung Geräte | Hiltistraße 6 | 86916 Kaufering, DE

## 2 Seguridad

### 2.1 Indicaciones generales de seguridad para herramientas eléctricas

**⚠ ADVERTENCIA** Lea con atención todas las indicaciones de seguridad, instrucciones, ilustraciones y datos técnicos correspondientes a esta herramienta eléctrica. La negligencia en el cumplimiento de las instrucciones que se describen a continuación podría provocar descargas eléctricas, incendios o lesiones graves.

**Conserve todas las instrucciones e indicaciones de seguridad para futuras consultas.**

El término «herramienta eléctrica» empleado en las indicaciones de seguridad se refiere a herramientas eléctricas portátiles, ya sea con cable de red o sin cable, en caso de ser accionadas por batería.

#### Seguridad en el puesto de trabajo

- ▶ **Mantenga su área de trabajo limpia y bien iluminada.** El desorden o una iluminación deficiente de las zonas de trabajo pueden provocar accidentes.
- ▶ **No utilice la herramienta eléctrica en un entorno con peligro de explosión en el que se encuentren líquidos, gases o polvos inflamables.** Las herramientas eléctricas producen chispas que pueden llegar a inflamar los materiales en polvo o vapores.
- ▶ **Mantenga alejados a los niños y otras personas de su puesto de trabajo al emplear la herramienta eléctrica.** Una distracción le puede hacer perder el control sobre la herramienta.

#### Seguridad eléctrica

- ▶ **El enchufe de la herramienta eléctrica debe corresponder a la toma de corriente utilizada. No se deberá modificar el enchufe en forma alguna. No utilice enchufes adaptadores para las herramientas eléctricas con puesta a tierra.** Los enchufes sin modificar adecuados a las respectivas tomas de corriente reducen el riesgo de descarga eléctrica.
- ▶ **Evite el contacto corporal con superficies que tengan puesta a tierra, como pueden ser tubos, calefacciones, cocinas y frigoríficos.** El riesgo a quedar expuesto a una sacudida eléctrica es mayor si su cuerpo tiene contacto con tierra.
- ▶ **No exponga las herramientas eléctricas a la lluvia y evite que penetren líquidos en su interior.** El riesgo de recibir descargas eléctricas aumenta si penetra agua en la herramienta eléctrica.
- ▶ **No utilice el cable de conexión para transportar o colgar la herramienta eléctrica ni tire de él para extraer el enchufe de la toma de corriente. Mantenga el cable de conexión alejado de fuentes de calor, aceite, aristas afiladas o piezas móviles.** Los cables de conexión dañados o enredados pueden provocar descargas eléctricas.
- ▶ **Cuando trabaje al aire libre con una herramienta eléctrica, utilice exclusivamente un alargador adecuado para exteriores.** La utilización de un alargador adecuado para su uso en exteriores evita el riesgo de una descarga eléctrica.
- ▶ **Cuando no pueda evitarse el uso de la herramienta eléctrica en un entorno húmedo, utilice un interruptor de corriente de defecto.** La utilización de un interruptor de corriente de defecto evita el riesgo de una descarga eléctrica.

#### Seguridad de las personas

- ▶ **Permanezca atento, preste atención durante el trabajo y utilice la herramienta eléctrica con prudencia. No utilice una herramienta eléctrica si está cansado, ni tampoco después de haber consumido alcohol, drogas o medicamentos.** Un momento de descuido al utilizar la herramienta eléctrica podría producir graves lesiones.
- ▶ **Utilice el equipo de seguridad personal adecuado y lleve siempre gafas protectoras.** El riesgo de lesiones se reduce considerablemente si, según el tipo y la aplicación de la herramienta eléctrica empleada, se utiliza un equipo de seguridad personal adecuado como una mascarilla antipolvo, zapatos de seguridad con suela antideslizante, casco de protección o protección para los oídos.
- ▶ **Evite una puesta en servicio fortuita de la herramienta. Asegúrese de que la herramienta eléctrica está apagada antes de alzarla, transportarla, conectarla a la toma de corriente o insertar la batería.** Si transporta la herramienta eléctrica sujetándola por el interruptor de conexión/desconexión o si introduce el enchufe en la toma de corriente con la herramienta conectada, podría producirse un accidente.

- ▶ **Retire las herramientas de ajuste o llaves fijas antes de conectar la herramienta eléctrica.** Una herramienta o llave colocada en una pieza giratoria puede producir lesiones al ponerse en funcionamiento.
- ▶ **Evite adoptar posturas forzadas. Procure que la postura sea estable y manténgase siempre en equilibrio.** De esta forma podrá controlar mejor la herramienta eléctrica en caso de presentarse una situación inesperada.
- ▶ **Utilice ropa adecuada. No utilice vestimenta amplia ni joyas. Mantenga su pelo, vestimenta y guantes alejados de las piezas móviles.** La vestimenta suelta, las joyas y el pelo largo se pueden enganchar con las piezas en movimiento.
- ▶ **Siempre que sea posible montar equipos de aspiración o captación de polvo, asegúrese de que están conectados y de que se utilizan correctamente.** El uso de un sistema de aspiración de polvo reduce los riesgos derivados del polvo.
- ▶ **No se crea a salvo de cualquier riesgo ni pase por alto ninguna de las normas de seguridad relativas a las herramientas eléctricas, aun cuando esté familiarizado con la herramienta eléctrica y tenga larga experiencia en su uso.** Una actuación negligente puede provocar lesiones graves en cuestión de segundos.

#### Uso y manejo de la herramienta eléctrica

- ▶ **No sobrecargue la herramienta. Utilice la herramienta eléctrica adecuada para el trabajo que se dispone a realizar.** Con la herramienta eléctrica apropiada podrá trabajar mejor y de modo más seguro dentro del margen de potencia indicado.
- ▶ **No utilice herramientas eléctricas con el interruptor defectuoso.** Las herramientas eléctricas que no se puedan conectar o desconectar son peligrosas y deben repararse.
- ▶ **Extraiga el enchufe de la toma de corriente o retire la batería extraíble antes de efectuar cualquier ajuste en la herramienta, cambiar accesorios o en caso de no utilizar la herramienta durante un tiempo prolongado.** Esta medida preventiva evita el riesgo de arranque accidental de la herramienta eléctrica.
- ▶ **Guarde las herramientas eléctricas que no utilice fuera del alcance de los niños. No permita utilizar la herramienta a ninguna persona que no esté familiarizada con ella o que no haya leído este manual de instrucciones.** Las herramientas eléctricas utilizadas por personas inexpertas son peligrosas.
- ▶ **Cuide su herramienta eléctrica y los accesorios adecuadamente. Compruebe si las piezas móviles de la herramienta funcionan correctamente y sin atascarse, y si existen piezas rotas o deterioradas que pudieran afectar al funcionamiento de la herramienta eléctrica. Encargue la reparación de las piezas defectuosas antes de usar la herramienta eléctrica.** Muchos accidentes son consecuencia de un mantenimiento inadecuado de la herramienta eléctrica.
- ▶ **Mantenga los útiles limpios y afilados.** Las herramientas de corte bien cuidadas y con aristas afiladas se atascan menos y se guían con más facilidad.
- ▶ **Utilice la herramienta eléctrica, los accesorios, útiles de inserción, etc., de acuerdo con estas instrucciones. Para ello, tenga en cuenta las condiciones de trabajo y la tarea que se va a realizar.** El uso de herramientas eléctricas para trabajos diferentes de aquellos para los que han sido concebidas puede resultar peligroso.
- ▶ **Mantenga las empuñaduras y las superficies de contacto secas, limpias y sin residuos de aceite o grasa.** Las empuñaduras y superficies de contacto resbaladizas impiden manejar y controlar la herramienta eléctrica con seguridad en situaciones imprevistas.

#### Uso y manejo de la herramienta de batería

- ▶ **Cargue las baterías únicamente con los cargadores recomendados por el fabricante.** Existe riesgo de incendio al intentar cargar baterías de un tipo diferente al previsto para el cargador.
- ▶ **Utilice únicamente las baterías previstas para la herramienta eléctrica.** El uso de otro tipo de baterías puede provocar daños e incluso incendios.
- ▶ **Si no utiliza la batería, guárdela separada de clips, monedas, llaves, clavos, tornillos y demás objetos metálicos que pudieran puentear sus contactos.** El cortocircuito de los contactos de la batería puede causar quemaduras o incendios.
- ▶ **La utilización inadecuada de la batería puede provocar fugas de líquido. Evite el contacto con este líquido. En caso de contacto accidental, enjuague el área afectada con abundante agua. En caso de contacto con los ojos, acuda además inmediatamente a un médico.** El líquido de la batería puede irritar la piel o producir quemaduras.
- ▶ **No utilice baterías dañadas o modificadas.** Una batería dañada o modificada puede tener un comportamiento imprevisible y provocar incendios, explosiones o riesgo de lesiones.
- ▶ **No exponga la batería al fuego o a temperaturas muy elevadas.** El fuego o las temperaturas superiores a 130 °C pueden provocar explosiones.

- ▶ **Siga todas las instrucciones relativas a la carga y no cargue nunca la batería o la herramienta de batería excediendo el rango de temperatura indicado en el manual de instrucciones.** Una carga incorrecta o fuera del rango de temperatura permitido puede destruir la batería y aumentar el riesgo de incendio.

#### Servicio Técnico

- ▶ **Solicite que un profesional lleve a cabo la reparación de su herramienta eléctrica y que utilice exclusivamente piezas de repuesto originales.** Solamente así se garantiza la seguridad de la herramienta.
- ▶ **No realice nunca el mantenimiento de baterías dañadas.** Cualquier mantenimiento de las baterías debe llevarlo a cabo el fabricante o un centro del Servicio de Atención al Cliente autorizado.

### 2.2 Indicaciones de seguridad para sierras de cinta

- ▶ **Sujete la herramienta eléctrica por las empuñaduras aisladas cuando realice trabajos en los que el útil de inserción puede entrar en contacto con cables eléctricos ocultos.** El contacto con los cables conductores puede traspasar la conductividad a las partes metálicas y producir descargas eléctricas.

### 2.3 Indicaciones de seguridad adicionales

- ▶ Utilice el producto solo si está en perfecto estado técnico.
- ▶ No efectúe nunca manipulaciones o modificaciones en la herramienta.
- ▶ No utilice hojas de sierra desafiladas o dañadas. Estas podrían provocar una elevada fricción, el atasco o el rebote de la hoja de sierra.
- ▶ Antes de empezar a trabajar, compruebe si la zona de trabajo oculta cables eléctricos, tuberías de gas o cañerías de agua. Las partes metálicas exteriores de la herramienta pueden provocar una descarga eléctrica si se daña por error un cable eléctrico.
- ▶ Fije la pieza de trabajo sobre una superficie estable. No sujete nunca la pieza de trabajo con la mano o sobre sus piernas.
- ▶ Conecte el producto una vez se encuentre en la posición de trabajo.
- ▶ Aparte siempre la herramienta del cuerpo cuando se esté trabajando con ella.
- ▶ Trabaje con una presión de apriete moderada y una velocidad de corte adecuada, en especial si el diámetro del tubo es muy grande. De este modo, se impide el sobrecalentamiento de la herramienta.
- ▶ A la hora de cortar canalizaciones, asegúrese primero de que las tuberías no contengan líquido. Vacíelas si fuera necesario.
- ▶ Cuando se vayan a seccionar canalizaciones deberá mantenerse la herramienta más alta que el conducto que se va a cortar.
  - ◀ La herramienta no está dotada de ninguna protección contra la penetración de humedad. El líquido derramado puede ocasionar un cortocircuito en la herramienta.
- ▶ No corte nunca superficies desconocidas y mantenga la guía de corte libre de obstáculos por arriba y por abajo.
  - ◀ Si la hoja de sierra topa con un obstáculo, puede provocar un retroceso en la herramienta.
- ▶ Para cambiar el útil, utilice también guantes de protección. El contacto con el útil de inserción puede producir cortes y quemaduras.
- ▶ Retire siempre la batería de la herramienta cuando no la utilice, antes de realizar un trabajo de mantenimiento o cambiar los útiles y durante el transporte.
- ▶ Active el seguro de transporte para realizar el almacenamiento y el transporte de la herramienta.
- ▶ Consulte las indicaciones del fabricante sobre el manejo y conservación de las hojas de sierra.

### 2.4 Manipulación y utilización segura de las baterías

- ▶ Tenga en cuenta las directivas especiales en materia de transporte, almacenamiento y manejo de las baterías de Ion-Litio.
- ▶ Mantenga las baterías alejadas de altas temperaturas, radiación solar directa y fuego.
- ▶ Las baterías no se deben destruir, comprimir, calentar por encima de 80 °C o quemar.
- ▶ Las baterías dañadas no se pueden reutilizar ni cargar.
- ▶ Si al tocar la batería detecta que está muy caliente, puede deberse a una avería en la misma. Coloque la herramienta en un lugar visible, no inflamable y alejado de materiales inflamables, y deje que se enfríe. Póngase en contacto con el Servicio Técnico de **Hilti** una vez que la batería se haya enfriado.

### 3 Descripción

#### 3.1 Vista general del producto 1

- |   |  |   |   |
|---|--|---|---|
| ① | Batería  | ⑧ | Palanca de tensado de la hoja de sierra de cinta  |
| ② | Bloqueo de conexión para conmutador de control | ⑨ | Empuñadura lateral (superficie de agarre aislada) |
| ③ | Conmutador de control                          | ⑩ | Tecla de desbloqueo de la batería                 |
| ④ | Empuñadura (superficie de agarre aislada)      | ⑪ | Indicador del estado de carga de la batería       |
| ⑤ | Medio de guiado                                | ⑫ | Rodillo para hoja de sierra de cinta              |
| ⑥ | Hoja de sierra de cinta                        | ⑬ | Guía de la hoja de sierra                         |
| ⑦ | Flecha de sentido de giro en la carcasa        | ⑭ | Anillo obturador                                  |

#### 3.2 Vista general del producto 2

- ⑮ Cubierta de la hoja de sierra
- ⑯ Tornillos de fijación de la cubierta de la hoja de sierra

#### 3.3 Uso conforme a las prescripciones

El producto descrito es una sierra de cinta de batería. Está prevista para el tronzado de materiales metálicos y plásticos.

El producto ha sido diseñado para el uso con dos manos.

- ▶ Para este producto utilice únicamente las baterías de Ion-Litio de la serie B 18 / B 22 de **Hilti**.
- ▶ Para estas baterías utilice exclusivamente los cargadores de la serie C4/36 de **Hilti**.

#### 3.4 Posibles usos indebidos

- ▶ No corte ladrillos, hormigón, hormigón poroso, piedra natural ni azulejos.
- ▶ No utilice el producto para cortar tuberías que todavía contienen líquidos.
- ▶ No sierre cuando se desconozca lo que se encuentra en la capa inferior.

#### 3.5 Indicador de la batería de Ion-Litio

El estado de carga de la batería de Ion-Litio y las averías de la herramienta se indican mediante el indicador de la batería de Ion-Litio. El estado de carga de la batería de Ion-Litio se visualiza pulsando una de las teclas de desbloqueo de la batería.

Estado	Significado
Los 4 LED se iluminan.	• Estado de carga: 75 % a 100 %
Los 3 LED se iluminan.	• Estado de carga: 50 % a 75 %
Los 2 LED se iluminan.	• Estado de carga: 25 % a 50 %
1 LED encendido.	• Estado de carga: 10 % a 25 %
1 LED parpadea.	• Estado de carga: < 10 %
1 LED parpadea, la herramienta no está lista para funcionar.	• La batería está sobrecalentada o totalmente descargada.
Los 4 LED parpadean, la herramienta no está lista para funcionar.	• La herramienta está sobrecargada o sobrecalentada.



#### Indicación

Con el conmutador de control accionado y hasta 5 s después de soltarlo no es posible consultar el estado de carga. Si los LED del indicador de la batería parpadean, observe las indicaciones del capítulo «Ayuda en caso de averías».

#### 3.6 Suministro.

Sierra de cinta, manual de instrucciones.



#### Indicación

Para garantizar un correcto funcionamiento, utilice exclusivamente piezas de repuesto y material de consumo originales. Puede encontrar las piezas de repuesto, el material de consumo y los accesorios que comercializamos en su Centro **Hilti** o en **www.hilti.com**

## 4 Datos técnicos

### 4.1 Sierra de cinta

	<b>SB 4-A22</b>
<b>Tensión nominal</b>	21,6 V
<b>Temperatura ambiente</b>	1 °F ... 140 °F (-17 °C ... 60 °C)
<b>Peso</b>	9 lb (4 kg)
<b>Velocidad de giro en vacío</b>	548 ft/min (167 m/min)
<b>Profundidad de corte máx.</b>	2,50 in (63,5 mm)
<b>Dimensiones de la hoja de sierra de cinta (Longitud x anchura x espesor)</b>	28,875 in x 0,05 in x 0,02 in (733 mm x 12,7 mm x 0,5 mm)

## 5 Manejo

### 5.1 Comportamiento de seguridad 4



#### PRECAUCIÓN

**Riesgo de lesiones.** Arranque involuntario del producto.

- ▶ Retire la batería antes de realizar ajustes en la herramienta o de cambiar accesorios.

- ▶ Mantenga pulsados los dos botones de desbloqueo.
- ▶ Extraiga la batería del producto tirando hacia delante.

### 5.2 Colocación/cambio de la hoja de sierra de cinta 5



#### ADVERTENCIA

**Riesgo de daños** El uso de hojas de sierra de cinta inadecuadas o mal colocadas puede dañar la sierra.

- ▶ Utilice solo hojas de sierra de cinta adecuadas para esta sierra.



#### ADVERTENCIA

**Riesgo de lesiones** Al tocar la hoja de sierra de cinta.

- ▶ Utilice siempre guantes de protección para montar la hoja de sierra de cinta.

1. Afloje los dos tornillos de la cubierta de la sierra de cinta y retírela.
2. Desatornille la empuñadura lateral en sentido antihorario y extráigala de la carcasa de la sierra de cinta.
3. Gire la palanca 180° en el sentido de giro hasta el tope.



#### Indicación

Para accionar la palanca, la empuñadura lateral debe estar desmontada.

4. Introduzca la hoja de sierra de cinta sucesivamente en las guías de la hoja de sierra. El dorso de la hoja debe tocar los rodamientos de la parte inferior de las guías de la hoja de sierra.
5. Guíe la hoja de sierra de cinta sucesivamente alrededor de los dos rodillos.
6. Gire la palanca 180° en el sentido de giro hasta el tope.
7. Compruebe si la hoja de sierra de cinta está guiada correctamente alrededor de los dos rodillos.

8. Vuelva a colocar la cubierta de la hoja de sierra de cinta.
  - ◀ Fíjese en que la cubierta quede bien colocada.
9. Atornille la empuñadura lateral en sentido horario en la carcasa de la sierra de cinta.
10. Compruebe el correcto asiento de la hoja de sierra de cinta, para ello encienda y apague brevemente varias veces la sierra de cinta.

### 5.3 Montaje de la empuñadura lateral



#### **PRECAUCIÓN**

**Riesgo de lesiones** Pérdida de control de la sierra de cinta.

- ▶ Utilice el producto solo con la empuñadura lateral. Atornille la empuñadura lateral en el orificio roscado correspondiente de la carcasa.

- ▶ Monte la empuñadura lateral.

### 5.4 Sustitución del anillo obturador

1. Retire la batería. → página 27
2. Afloje los dos tornillos de la cubierta de la sierra de cinta y retírela.
3. Desatornille la empuñadura lateral en sentido antihorario y extráigala de la carcasa de la sierra de cinta.
4. Gire la palanca 180° en el sentido de giro hasta el tope.



#### **Indicación**

Para accionar la palanca, la empuñadura lateral debe estar desmontada.

5. Retire la hoja de sierra de cinta.
6. Compruebe si hay suciedad en las ranuras y límpielas en caso necesario.
7. Retire el anillo obturador.
8. Tense el nuevo anillo obturador sobre el rodillo para la hoja de sierra de cinta.
9. Desplace el anillo obturador completamente en las ranuras.
  - ◀ El anillo obturador se cierra con las ranuras.
  - ▼ El anillo obturador no se cierra con las ranuras.
    - ▶ Alinee el anillo obturador.
10. Introduzca la hoja de sierra de cinta sucesivamente en las guías de la hoja de sierra. El dorso de la hoja debe tocar los rodamientos de la parte inferior de las guías de la hoja de sierra.
11. Guíe la hoja de sierra de cinta sucesivamente alrededor de los dos rodillos.
12. Gire la palanca 180° en el sentido de giro hasta el tope.
13. Compruebe si la hoja de sierra de cinta está guiada correctamente alrededor de los dos rodillos.
14. Vuelva a colocar la cubierta de la hoja de sierra de cinta.
  - ◀ Fíjese en que la cubierta quede bien colocada.
15. Atornille la empuñadura lateral en sentido horario en la carcasa de la sierra de cinta.
16. Compruebe el correcto asiento de la hoja de sierra de cinta; para ello, encienda y apague brevemente varias veces la sierra de cinta.

### 5.5 Colocación de la batería



#### **ADVERTENCIA**

**Peligro eléctrico** Peligro por cortocircuito.

- ▶ Antes de insertar la batería, asegúrese de que no haya cuerpos extraños en los contactos de la batería ni de la sierra.



#### **ADVERTENCIA**

**Riesgo de lesiones** Peligro por la caída de la batería.

- ▶ Si se cae la batería, puede dañarle a usted y a otras personas. Compruebe que la batería esté bien colocada en la sierra de cinta.

- ▶ Introduzca la batería en el producto empujando hacia atrás hasta que oiga un doble clic que le indica que está encajada en el tope.



## 5.6 Extracción de la batería 4

1. Mantenga pulsados los dos botones de desbloqueo.
2. Extraiga la batería del producto tirando hacia delante.

## 5.7 Conexión

1. Accione el bloqueo de conexión.
2. Pulse el conmutador de control.



### Indicación

Por motivos de seguridad, el conmutador de control no puede bloquearse, sino que debe permanecer pulsado constantemente durante el funcionamiento.

## 5.8 Desconexión



### ADVERTENCIA

**Riesgo de lesiones** por funcionamiento residual de la sierra.

- ▶ No levante el producto de la pieza hasta que se haya parado por completo.
  - ▶ Espere hasta que el producto se haya detenido por completo antes de dejarlo sobre alguna superficie.
- ▶ Suelte el conmutador de control.

## 5.9 Alineación de la pieza de trabajo 3

- ▶ Alinee la pieza de trabajo y la sierra de cinta entre sí.



### Indicación

Una mala alineación aumenta el riesgo de rebote.

## 6 Cuidado, mantenimiento, transporte y almacenamiento

### 6.1 Cuidado y mantenimiento de las herramientas alimentadas por batería



### ADVERTENCIA

**Riesgo de descarga eléctrica.** La realización de tareas de cuidado y mantenimiento con la batería colocada puede provocar lesiones y quemaduras graves.

- ▶ Retire siempre la batería antes de llevar a cabo tareas de cuidado y mantenimiento.

### Mantenimiento de la herramienta

- Retire con cuidado la suciedad fuertemente adherida.
- Limpie cuidadosamente las rejillas de ventilación con un cepillo seco.
- Limpie la carcasa utilizando únicamente un paño ligeramente humedecido. No utilice limpiadores que contengan silicona, ya que podría afectar a las piezas de plástico.

### Cuidado de las baterías de Ion-Litio

- Mantenga la batería limpia y sin residuos de aceite o grasa.
- Limpie la carcasa utilizando únicamente un paño ligeramente humedecido. No utilice limpiadores que contengan silicona, ya que podría afectar a las piezas de plástico.
- Evite la penetración de humedad.

### Mantenimiento

- Compruebe con regularidad si las piezas visibles están dañadas o si los elementos de manejo funcionan correctamente.
- No utilice la herramienta de batería si presenta daños o fallos que afecten al funcionamiento. Llévela de inmediato al Servicio Técnico de **Hiti** para que la reparen.
- Coloque todos los dispositivos de protección después de las tareas de cuidado y mantenimiento y compruebe su correcto funcionamiento.

## 6.2 Transporte y almacenamiento de las herramientas alimentadas por batería

### Transporte



#### PRECAUCIÓN

**Arranque involuntario durante el transporte.** Si las baterías están puestas, la herramienta se puede poner en marcha durante el transporte de forma descontrolada y resultar dañada.

- ▶ Transporte la herramienta siempre sin baterías.

- ▶ Retire las baterías.
- ▶ Transporte la herramienta y las baterías en embalajes separados.
- ▶ No transporte nunca las baterías sin embalaje.
- ▶ Compruebe si la herramienta o las baterías presentan daños tras haber sido transportadas durante mucho tiempo.

### Almacenamiento



#### PRECAUCIÓN

**Daños imprevistos por baterías defectuosas.** Si las baterías tienen fugas pueden dañar el aparato.

- ▶ Guarde la herramienta siempre sin baterías.

- ▶ Guarde la herramienta y las baterías en un lugar lo más seco y fresco posible.
- ▶ No guarde nunca las baterías en un lugar expuesto al sol, sobre un radiador o detrás de una luna de cristal.
- ▶ Guarde la herramienta y las baterías fuera del alcance de niños y personas no autorizadas.
- ▶ Compruebe si la herramienta o las baterías presentan daños tras haber sido almacenadas durante mucho tiempo.

## 7 Ayuda en caso de averías

Si se producen averías que no estén incluidas en esta tabla o que no pueda solucionar usted, diríjase al Servicio Técnico de **Hilti**.

### 7.1 La sierra de cinta no está lista para funcionar

Anomalía	Posible causa	Solución
Los LED no indican nada.	La batería no se ha insertado completamente.	▶ Encaje la batería hasta que note un doble clic.
	La batería está agotada.	▶ Cargue la batería.
	Bloqueo de conexión no accionado.	▶ Accione el bloqueo de conexión.
1 LED parpadea.	La batería está descargada.	▶ Cambie la batería y recargue la batería vacía.
	La batería está demasiado caliente o fría.	▶ Deje que la batería alcance la temperatura de trabajo recomendada.
Los 4 LED parpadean.	Sierra de cinta sobrecargada brevemente.	▶ Suelte el conmutador de control y vuélvalo a accionar.
	Sierra de cinta demasiado caliente.	▶ Deje enfriar la sierra de cinta.
	Herramienta bloqueada	▶ Compruebe si la hoja de sierra está correctamente montada o si está dañada.

### 7.2 La sierra de cinta está lista para funcionar


Anomalía	Posible causa	Solución
La herramienta no desarrolla toda la potencia.	Conmutador de control no pulsado del todo.	▶ Pulse completamente el conmutador de control.
	La batería está descargada.	▶ Cambie la batería y recargue la batería vacía.



### ADVERTENCIA

**Riesgo de lesiones.** Peligro por un reciclaje indebido.

- ▶ Una eliminación no reglamentaria del equipamiento puede tener las siguientes consecuencias: si se queman las piezas de plástico se generan gases tóxicos que pueden afectar a las personas. Si las baterías están dañadas o se calientan en exceso pueden explotar y ocasionar intoxicaciones, incendios, causticaciones o contaminación del medio ambiente. Si se realiza una eliminación imprudente, el equipo puede caer en manos de personas no autorizadas que hagan un uso inapropiado del mismo. Esto generaría el riesgo de provocar lesiones al usuario o a terceros, así como la contaminación del medio ambiente.
- ▶ Deseche inmediatamente las baterías defectuosas. Manténgalas fuera del alcance de los niños. No desmonte ni queme las baterías.
- ▶ Deseche las baterías respetando las disposiciones de su país o devuelva las baterías usadas a **Hilti**.

Las herramientas  **Hilti** están fabricadas en su mayor parte con materiales reutilizables. La condición para dicha reutilización es una separación adecuada de los materiales. En muchos países, **Hilti** recoge las herramientas usadas para su recuperación. Pregunte en el Servicio de Atención al Cliente de **Hilti** o a su asesor de ventas.



- ▶ No deseche las herramientas eléctricas junto con los desperdicios domésticos.

## 9 Garantía del fabricante

- ▶ Si tiene alguna consulta acerca de las condiciones de la garantía, póngase en contacto con su sucursal local de **Hilti**.

## 1 Indicações sobre a documentação




### 1.1 Sobre esta documentação

- Antes da colocação em funcionamento, leia esta documentação. Esta é a condição para um trabalho seguro e um manuseamento sem problemas.
- Tenha em atenção as instruções de segurança e as advertências nesta documentação e no produto.
- Guarde o manual de instruções sempre junto do produto e entregue-o a outras pessoas apenas juntamente com este manual.

### 1.2 Explicação dos símbolos



#### 1.2.1 Advertências

As advertências alertam para perigos durante a utilização do produto. As seguintes palavras-sinal são utilizadas em combinação com um símbolo:

	<b>PERIGO!</b> Indica perigo iminente que pode originar acidentes pessoais graves ou até mesmo fatais.
	<b>AVISO!</b> Indica um possível perigo que pode causar graves ferimentos pessoais, até mesmo fatais.
	<b>CUIDADO!</b> Indica uma situação potencialmente perigosa que pode originar ferimentos ligeiros ou danos materiais.




#### 1.2.2 Símbolos na documentação

Nesta documentação são utilizados os seguintes símbolos:

	Leia o manual de instruções antes da utilização
	Instruções de utilização e outras informações úteis

#### 1.2.3 Símbolos nas figuras

Em figuras são utilizados os seguintes símbolos:

	Estes números referem-se à respectiva figura no início deste manual.
3	A numeração reproduz uma sequência dos passos de trabalho na imagem e pode divergir dos passos de trabalho no texto.
	Na figura <b>Vista geral</b> são utilizados números de posição que fazem referência aos números da legenda na secção <b>Vista geral do produto</b> .
	Este símbolo pretende despertar a sua atenção durante o manuseamento do produto.

### 1.3 Dados informativos sobre o produto

Os produtos **Hilti** foram concebidos para uso profissional e só devem ser utilizados, mantidos e reparados por pessoal autorizado e devidamente credenciado. Este pessoal deverá estar informado, em particular, sobre os potenciais perigos. O produto e seu equipamento auxiliar podem representar perigo se usados incorrectamente por pessoas não qualificadas ou se usados para fins diferentes daqueles para os quais foram concebidos.

A designação e o número de série são indicados na placa de características.

- Registe o número de série na tabela seguinte. Precisa dos dados do produto para colocar questões ao nosso representante ou posto de serviço de atendimento aos clientes.

#### Dados do produto

Serra de cinta	SB 4-A22
Geração:	01
N.º de série:	

## 1.4 Declaração de conformidade

Declaramos sob nossa exclusiva responsabilidade que o produto aqui descrito está em conformidade com as directivas e normas em vigor. Na parte final desta documentação encontra uma reprodução do organismo de certificação.

A documentação técnica está depositada junto da:

Hilti Entwicklungsgesellschaft mbH | Zulassung Geräte | Hiltistraße 6 | 86916 Kaufering, DE

## 2 Segurança

### 2.1 Normas de segurança gerais para ferramentas eléctricas

**⚠ AVISO Leia todas as normas de segurança, instruções, imagens e dados técnicos, com os quais esta ferramenta eléctrica está equipada.** O não cumprimento das instruções a seguir pode resultar em choque eléctrico, incêndio e/ou ferimentos graves.

**Guarde bem todas as normas de segurança e instruções para futura referência.**

O termo “ferramenta eléctrica” utilizado nas normas de segurança refere-se a ferramentas com ligação à corrente eléctrica (com cabo de alimentação) ou a ferramentas a bateria (sem cabo).

#### Segurança no posto de trabalho

- ▶ **Mantenha a sua área de trabalho limpa e bem iluminada.** Locais desarrumados ou mal iluminados podem ocasionar acidentes.
- ▶ **Não utilize a ferramenta eléctrica em ambientes explosivos ou na proximidade de líquidos ou gases inflamáveis.** Ferramentas eléctricas produzem faíscas que podem provocar a ignição de pó e vapores.
- ▶ **Mantenha crianças e terceiros afastados durante os trabalhos.** Distrações podem conduzir à perda de controlo sobre a ferramenta.

#### Segurança eléctrica

- ▶ **A ficha da ferramenta eléctrica deve servir na tomada. A ficha não deve ser modificada de modo algum. Não utilize quaisquer adaptadores com ferramentas eléctricas com ligação terra.** Fichas originais (não modificadas) e tomadas adequadas reduzem o risco de choque eléctrico.
- ▶ **Evite o contacto do corpo com superfícies ligadas à terra, como, por exemplo, canos, radiadores, fogões e frigoríficos.** Existe um risco elevado de choque eléctrico se o corpo estiver com ligação à terra.
- ▶ **As ferramentas eléctricas não devem ser expostas à chuva nem à humidade.** A infiltração de água numa ferramenta eléctrica aumenta o risco de choque eléctrico.
- ▶ **Não use o cabo de ligação para transportar, pendurar ou desligar a ferramenta eléctrica da tomada. Mantenha o cabo de ligação afastado de calor, óleo, arestas vivas ou partes em movimento.** Cabos de ligação danificados ou emaranhados aumentam o risco de choque eléctrico.
- ▶ **Quando operar uma ferramenta eléctrica ao ar livre, utilize apenas cabos de extensão próprios para utilização no exterior.** A utilização de um cabo de extensão próprio para utilização no exterior reduz o risco de choques eléctricos.
- ▶ **Utilize um disjuntor diferencial se não puder ser evitada a utilização da ferramenta eléctrica em ambiente húmido.** A utilização de um disjuntor diferencial reduz o risco de choque eléctrico.

#### Segurança física

- ▶ **Esteja alerta, observe o que está a fazer, e tenha prudência ao trabalhar com uma ferramenta eléctrica. Se estiver cansado ou sob influência de drogas, álcool ou medicamentos não efectue nenhum trabalho com ferramentas eléctricas.** Um momento de distração ao operar a ferramenta eléctrica pode causar ferimentos graves.
- ▶ **Use equipamento de segurança. Use sempre óculos de protecção.** Equipamento de segurança, como, por exemplo, máscara antipoeiras, sapatos de segurança antiderrapantes, capacete de segurança ou protecção auricular, de acordo com o tipo e aplicação da ferramenta eléctrica, reduzem o risco de lesões.
- ▶ **Evite um arranque involuntário. Assegure-se de que a ferramenta eléctrica está desligada antes de a ligar à fonte de alimentação e/ou à bateria, pegar nela ou a transportar.** Transportar a ferramenta eléctrica com o dedo no interruptor ou ligar uma ferramenta à tomada com o interruptor ligado (ON) pode resultar em acidentes.
- ▶ **Remova quaisquer chaves de ajuste (chaves de fenda), antes de ligar a ferramenta eléctrica.** Um acessório ou chave deixado preso numa parte rotativa da ferramenta pode causar ferimentos.

- ▶ **Evite posturas corporais desfavoráveis. Mantenha sempre uma posição correcta, em perfeito equilíbrio.** Desta forma será mais fácil manter o controlo sobre a ferramenta eléctrica em situações inesperadas.
- ▶ **Use roupa apropriada. Não use roupa larga ou jóias. Mantenha o cabelo, vestuário e luvas afastados das peças móveis.** Roupas largas, jóias ou cabelos compridos podem ficar presos nas peças móveis.
- ▶ **Se poderem ser montados sistemas de remoção e de recolha de pó, assegure-se de que estes estão ligados e são utilizados correctamente.** A utilização de um sistema de remoção de pó pode reduzir os perigos relacionados com a exposição ao mesmo.
- ▶ **Não se acomode numa falsa sensação de segurança e não ignore os regulamentos de segurança para ferramentas eléctricas, mesmo se estiver familiarizado com a ferramenta eléctrica após numerosas utilizações.** Agir de forma descuidada pode causar ferimentos graves dentro duma fracção de segundo.

#### Utilização e manuseamento da ferramenta eléctrica

- ▶ **Não sobrecarregue a ferramenta. Use para o seu trabalho a ferramenta eléctrica correcta.** Com a ferramenta eléctrica adequada obterá maior eficiência e segurança se respeitar os seus limites.
- ▶ **Não utilize a ferramenta eléctrica se o interruptor estiver defeituoso.** Uma ferramenta eléctrica que já não possa ser accionada pelo interruptor é perigosa e deve ser reparada.
- ▶ **Retire a ficha da tomada e/ou remova uma bateria amovível antes de efectuar ajustes na ferramenta, substituir acessórios ou guardar a ferramenta.** Esta medida preventiva evita o accionamento acidental da ferramenta eléctrica.
- ▶ **Guarde ferramentas eléctricas não utilizadas fora do alcance das crianças. Não permita que a ferramenta seja utilizada por pessoas não familiarizadas com a mesma ou que não tenham lido estas instruções.** Ferramentas eléctricas operadas por pessoas não treinadas são perigosas.
- ▶ **Faça uma manutenção regular de ferramentas eléctricas e acessórios. Verifique se as partes móveis funcionam perfeitamente e não emperram ou se há peças quebradas ou danificadas que possam influenciar o funcionamento da ferramenta eléctrica. Peças danificadas devem ser reparadas antes da utilização da ferramenta.** Muitos acidentes são causados por ferramentas eléctricas com manutenção deficiente.
- ▶ **Mantenha as ferramentas de corte sempre afiadas e limpas.** Acessórios com gumes afiados tratados correctamente emperram menos e são mais fáceis de controlar.
- ▶ **Utilize a ferramenta eléctrica, acessórios, bits, etc., de acordo com estas instruções. Tome também em consideração as condições de trabalho e o trabalho a ser efectuado.** A utilização da ferramenta eléctrica para outros fins além dos previstos, pode ocasionar situações de perigo.
- ▶ **Mantenha punhos e respectivas superfícies secos, limpos e isentos de óleo e gordura.** Punhos e superfícies afins escorregadios não permitem um manuseamento e controlo seguro da ferramenta eléctrica em situações imprevistas.

#### Utilização e manuseamento da ferramenta a bateria

- ▶ **Apenas deverá carregar as baterias em carregadores recomendados pelo fabricante.** Num carregador adequado para um determinado tipo de baterias existe perigo de incêndio se for utilizado para outras baterias.
- ▶ **Nas ferramentas eléctricas utilize apenas as baterias previstas.** A utilização de outras baterias pode causar ferimentos e riscos de incêndio.
- ▶ **Quando a bateria não estiver em uso, mantenha-a afastada de outros objectos de metal, como, por exemplo, cliques, moedas, chaves, pregos, parafusos, ou outros pequenos objectos metálicos que possam ligar em ponte os contactos.** Um curto-circuito entre os contactos da bateria pode causar queimaduras ou incêndio.
- ▶ **Utilizações inadequadas podem provocar derrame do líquido da bateria. Evite o contacto com este líquido. No caso de contacto acidental, enxágue imediatamente com água. Se o líquido entrar em contacto com os olhos, procure auxílio médico.** O líquido que escorre da bateria pode provocar irritações ou queimaduras da pele.
- ▶ **Não utilize uma bateria danificada ou modificada.** Baterias danificadas ou modificadas podem ter um comportamento imprevisível e causar fogo, explosão ou risco de ferimentos.
- ▶ **Não exponha uma bateria ao fogo ou a temperaturas excessivas.** Fogo ou temperaturas acima de 130 °C podem dar origem a uma explosão.
- ▶ **Cumpra todas as instruções sobre o carregamento e nunca carregue a bateria ou a ferramenta a bateria fora da faixa de temperaturas indicada no manual de instruções.** O carregamento errado ou fora da faixa de temperaturas permitida pode destruir a bateria e aumentar o risco de incêndio.

## Manutenção

- ▶ **A sua ferramenta eléctrica só deve ser reparada por pessoal qualificado e só devem ser utilizadas peças sobressalentes originais.** Isto assegurará que a segurança da ferramenta se mantenha.
- ▶ **Nunca faça a manutenção de baterias danificadas.** Qualquer manutenção de baterias só deverá ser realizada pelo fabricante ou serviços de assistência técnica autorizados.

### 2.2 Normas de segurança para serra de cinta

- ▶ **Segure a ferramenta eléctrica apenas pelas áreas isoladas dos punhos, quando executar trabalhos em que o acessório possa encontrar cabos eléctricos encobertos.** O contacto com um cabo sob tensão também pode colocar partes metálicas da ferramenta sob tensão e causar um choque eléctrico.

### 2.3 Normas de segurança adicionais

- ▶ Utilize o produto somente se estiver em perfeitas condições técnicas.
- ▶ Nunca efectue quaisquer manipulações ou modificações na ferramenta.
- ▶ Não utilize lâminas de serra embotadas ou danificadas. Elas provocam uma maior fricção, prisão ou contragolpe da lâmina.
- ▶ Antes de iniciar os trabalhos, verifique o local de trabalho relativamente a cabos eléctricos encobertos, bem como tubos de gás e água. Partes metálicas externas da ferramenta podem causar um choque eléctrico se, inadvertidamente, danificarem uma linha eléctrica.
- ▶ Fixe-a a um suporte estável. Nunca segure a peça a cortar com as mãos ou sobre as pernas.
- ▶ Ligue o produto apenas quando estiver na posição de trabalho.
- ▶ Durante o processo de trabalho, mantenha a ferramenta afastada do corpo.
- ▶ Trabalhe com força de pressão moderada e com velocidade de corte moderada, especialmente, no caso de diâmetros de tubo grandes. Evita-se, assim, um sobreaquecimento da ferramenta .
- ▶ Antes de iniciar o corte de tubos, certifique-se de que os tubos já não contêm líquidos. Se necessário, esvazie-os.
- ▶ Ao cortar tubos mantenha a ferramenta num plano superior à linha de corte.
  - ◀ A ferramenta não possui qualquer protecção contra a entrada de humidade. A fuga de líquidos pode causar um curto-circuito na ferramenta.
- ▶ Nunca utilize a serra de sabre para serrar materiais desconhecidos e mantenha a área circundante à linha de corte livre de obstáculos.
  - ◀ A lâmina de serra, se embater num objecto, poderá originar um contragolpe sobre a ferramenta.
- ▶ Também deve usar luvas de protecção durante a substituição de acessórios. Tocar no acessório pode causar ferimentos por corte e queimaduras.
- ▶ Quando não estiver a utilizar a ferramenta, antes da manutenção ou durante a troca de acessórios e durante o transporte é necessário remover a bateria.
- ▶ Active o bloqueio de transporte quando guardar ou transportar a ferramenta.
- ▶ Observe as instruções do fabricante para manuseamento e arrumação das lâminas de serra.

### 2.4 Utilização e manutenção de baterias

- ▶ Observe as regras específicas sobre transporte, armazenagem e utilização de baterias de iões de lítio.
- ▶ Mantenha as baterias afastadas de temperaturas elevadas, radiação solar directa e fogo.
- ▶ As baterias não podem ser desmonteladas, esmagadas, aquecidas acima dos 80 °C ou incineradas.
- ▶ As baterias danificadas não podem ser carregadas, nem reutilizadas.
- ▶ Se a bateria estiver demasiado quente ao toque, poderá estar com defeito. Coloque a ferramenta num local que não constitua risco de incêndio, suficientemente afastada de materiais combustíveis, onde possa ser vigiada e deixe-a arrefecer. Contacte o Centro de Assistência Técnica **Hilti** depois de a bateria ter arrefecido.

## 3 Descrição

### 3.1 Vista geral do produto 1

- |   |   |   |  |
|---|---|---|--|
| ① | Bateria   | ⑤ | Auxílio de guia                                  |
| ② | Dispositivo de bloqueio para interruptor on/off | ⑥ | Lâmina de serra de cinta                         |
| ③ | Interruptor on/off                              | ⑦ | Seta indicadora do sentido de rotação na carcaça |
| ④ | Punho (superfície isolada do punho)             |   |  |

- ⑧ Alavanca para tensionamento da lâmina de serra de cinta
- ⑨ Punho auxiliar (superfície isolada do punho)
- ⑩ Botão de destravamento da bateria
- ⑪ Indicação do estado de carga da bateria
- ⑫ Rolo para lâmina de serra de cinta
- ⑬ Guia da lâmina de serra
- ⑭ Anel vedante

### 3.2 Vista geral do produto 2

- ⑮ Cobertura da lâmina de serra
- ⑯ Parafusos de fixação da cobertura da lâmina de serra

### 3.3 Utilização conforme a finalidade projectada

O produto descrito é uma serra de cinta a bateria. Foi concebida para cortar metais e plásticos. O produto foi concebido para uma utilização com ambas as mãos.

- ▶ Para este produto, utilize apenas as baterias de íões de lítio **Hilti** da série B 18 / B 22.
- ▶ Para estas baterias, utilize apenas os carregadores **Hilti** da série C4/36.

### 3.4 Possível uso incorrecto

- ▶ Nunca corte tijolos, betão, betão poroso, pedra natural ou azulejos.
- ▶ Não utilize o produto para cortar tubos que ainda contenham líquidos.
- ▶ Não utilize a serra de sabre para serrar materiais desconhecidos.

### 3.5 Indicador da bateria de íões de lítio

O estado da carga da bateria de íões de lítio e as avarias da ferramenta são sinalizados através da indicação da bateria de íões de lítio. O estado de carga da bateria de íões de lítio (Li-Ion) é exibida pressionando um dos dois botões de destravamento da bateria.

Estado	Significado
4 LEDs acendem.	• Estado de carga: 75% a 100%
3 LEDs acendem.	• Estado de carga: 50% a 75%
2 LEDs acendem.	• Estado de carga: 25% a 50%
1 LED acende.	• Estado de carga: 10% a 25%
1 LED pisca.	• Estado de carga: < 10%
1 LED pisca, o aparelho não está pronto a funcionar.	• A bateria sobreaqueceu ou está totalmente descarregada.
4 LEDs piscam, a ferramenta não está pronta a funcionar.	• A ferramenta está sobrecarregada ou sobreaquecida.



#### Nota

Com o interruptor on/off pressionado e até 5 segundos depois de o soltar, não é possível consultar o estado de carga. Se os LEDs da indicação da bateria estiverem a piscar, leia as indicações no capítulo Ajuda em caso de avarias.

### 3.6 Incluído no fornecimento.

Serra de cinta, manual de instruções.



#### Nota

Para um funcionamento seguro, utilize apenas peças sobresselentes e consumíveis originais. Poderá encontrar as peças sobresselentes, consumíveis e acessórios aprovados por nós para o seu produto no seu Centro de Assistência **Hilti** ou em: [www.hilti.com](http://www.hilti.com)



## 4 Características técnicas

### 4.1 Serra de cinta

	<b>SB 4-A22</b>
<b>Tensão nominal</b>	21,6 V
<b>Temperatura ambiente</b>	1 °F ... 140 °F (-17 °C ... 60 °C)
<b>Peso</b>	9 lb (4 kg)
<b>Velocidade de rotação em vazio</b>	548 ft/min (167 m/min)
<b>Profundidade máx. de corte</b>	2,50 in (63,5 mm)
<b>Dimensões da lâmina de cinta (Comprimento x Largura x Espessura)</b>	28,875 in x 0,05 in x 0,02 in (733 mm x 12,7 mm x 0,5 mm)

## 5 Utilização

### 5.1 Procedimentos de segurança 4



#### **CUIDADO**

**Risco de ferimentos!** Arranque inadvertido do produto.

- ▶ Remova a bateria, antes de efectuar ajustes na ferramenta ou substituir acessórios.

- ▶ Pressione ambas as teclas de destravamento e mantenha-as pressionadas.
- ▶ Retire a bateria para a frente, para fora do produto.

### 5.2 Aplicar/substituir a lâmina da serra de cinta 5



#### **AVISO**

**Perigo de danos** Lâminas de serra de cinta inadequadas ou incorrectamente inseridas podem danificar a serra.

- ▶ Utilize somente lâminas de serra de cinta adequadas para esta serra.



#### **AVISO**

**Risco de ferimentos** devido ao toque na lâmina da serra de cinta.

- ▶ o montar a lâmina da serra de cinta utilize luvas de protecção.

1. Solte os 2 parafusos da cobertura da lâmina da serra e retire-os.
2. Desenrosque o punho auxiliar no sentido contrário ao dos ponteiros do relógio, para fora da carcaça da serra de cinta.
3. Vire a alavanca 180 ° no sentido de rotação, até ao batente.



#### **Nota**

Para o accionamento da alavanca é necessário que o punho auxiliar esteja desmontado.

4. Insira a lâmina da serra de cinta sucessivamente nas guias da lâmina de serra. O lado de trás da lâmina de serra deverá tocar os apoios na parte inferior das guias da lâmina de serra.
5. Conduza a lâmina da serra de cinta sucessivamente em torno dos dois rolos.
6. Vire a alavanca 180 ° no sentido de rotação, até ao batente.
7. Verificar se a lâmina da serra de cinta está correctamente conduzida em torno dos dois rolos.
8. Volte a aplicar a cobertura da lâmina de serra.
  - ◀ Nessa ocasião, preste atenção ao assento coreto da cobertura.
9. Enrosque o punho auxiliar no sentido dos ponteiros do relógio, para dentro da carcaça da serra de cinta.

10. Verificar se a lâmina da serra de cinta assenta correctamente; para o efeito, ligue e desligue a serra de cinta várias vezes por alguns instantes.

### 5.3 Montagem do punho auxiliar 6



#### **CUIDADO**

**Risco de ferimentos** Perda de controlo sobre a serra de cinta.

- ▶ Utilize o produto apenas com o punho auxiliar. Enrosque o punho auxiliar no respectivo orifício roscado na carcaça.

- ▶ Monte o punho auxiliar.

### 5.4 Substituir o anel vedante 7

1. Retire a bateria. → Página 37
2. Solte os 2 parafusos da cobertura da lâmina da serra e retire-os.
3. Desenrosque o punho auxiliar no sentido contrário ao dos ponteiros do relógio, para fora da carcaça da serra de cinta.
4. Vire a alavanca 180 ° no sentido de rotação, até ao batente.



#### **Nota**

Para o accionamento da alavanca é necessário que o punho auxiliar esteja desmontado.

5. Retire a lâmina da serra de cinta.
6. Verifique as ranhuras guia em relação a sujidade e, se necessário, limpe-as.
7. Retire o anel vedante.
8. Fixe o novo anel vedante no rolo para lâmina de serra de cinta.
9. Insira o anel vedante por completo nas ranhuras guia.
  - ◀ O anel vedante fecha com as ranhuras guia.
  - ▼ O anel vedante não fecha com as ranhuras guia.
    - ▶ Alinhe o anel vedante.
10. Insira a lâmina da serra de cinta sucessivamente nas guias da lâmina de serra. O lado de trás da lâmina de serra deverá tocar os apoios na parte inferior das guias da lâmina de serra.
11. Conduza a lâmina da serra de cinta sucessivamente em torno dos dois rolos.
12. Vire a alavanca 180 ° no sentido de rotação, até ao batente.
13. Verificar se a lâmina da serra de cinta está correctamente conduzida em torno dos dois rolos.
14. Volte a aplicar a cobertura da lâmina de serra.
  - ◀ Nessa ocasião, preste atenção ao assento coreto da cobertura.
15. Enrosque o punho auxiliar no sentido dos ponteiros do relógio, para dentro da carcaça da serra de cinta.
16. Verificar se a lâmina da serra de cinta assenta correctamente; para o efeito, ligue e desligue a serra de cinta várias vezes por alguns instantes.

### 5.5 Colocar a bateria 3



#### **AVISO**

**Riscos eléctricos** Perigo devido a curto-circuito.

- ▶ Certifique-se de que os contactos da bateria e os contactos na serra estão livres de objectos estranhos antes de colocar a bateria.



#### **AVISO**

**Risco de ferimentos** Perigo devido a bateria mal encaixada.

- ▶ Uma bateria mal encaixada pode cair e causar acidentes. Verifique se a bateria está correctamente encaixada na serra de cinta.

- ▶ Empurre a bateria para trás, para dentro do produto, até que engate no encosto com um duplo clique audível.

## 5.6 Retirar a bateria

1. Pressione ambas as teclas de destravamento e mantenha-as pressionadas.
2. Puxe a bateria para a frente, para fora do produto.

## 5.7 Ligar

1. Accione o dispositivo de bloqueio.
2. Pressione o interruptor on/off.



### Nota

Por motivos de segurança não é possível travar o interruptor on/off, este tem de ser mantido constantemente pressionado durante o funcionamento.

## 5.8 Desligar



### AVISO

**Risco de ferimentos** devido a serra ainda em movimento.

- ▶ Levante o produto da peça a trabalhar somente quando a lâmina estiver parada.
  - ▶ Aguarde até que o produto esteja parado, antes de o pousar.
- 
- ▶ Solte o interruptor on/off.

## 5.9 Orientação da peça a trabalhar

- ▶ Oriente a peça a trabalhar e a serra de cinta uma para a outra.



### Nota

Uma orientação errada aumenta o perigo de contragolpes.

# 6 Conservação, manutenção, transporte e armazenamento

## 6.1 Conservação e manutenção de ferramentas de baterias recarregáveis



### AVISO

**Perigo devido a choque eléctrico!** Conservação e manutenção com a bateria inserida podem originar ferimentos graves e queimaduras.

- ▶ Retirar sempre a bateria antes de todos os trabalhos de conservação e manutenção!

### Conservação da ferramenta

- Remover a sujidade persistente com cuidado.
- Limpe as saídas de ar cuidadosamente com uma escova seca.
- Limpar a carcaça apenas com um pano ligeiramente humedecido. Não utilizar produtos de conservação que contenham silicone, uma vez que estes poderiam danificar os componentes de plástico.

### Conservação das baterias de iões de lítio

- Manter a bateria limpa e isenta de óleo e gordura.
- Limpar a carcaça apenas com um pano ligeiramente humedecido. Não utilizar produtos de conservação que contenham silicone, uma vez que estes poderiam danificar os componentes de plástico.
- Evitar a entrada de humidade.

### Manutenção

- Verificar, regularmente, todos os componentes visíveis quanto a danos e os comandos operativos quanto a funcionamento perfeito.
- Em caso de danos e/ou perturbações de funcionamento, não operar a ferramenta com bateria. Mandar reparar de imediato pelo Centro de Assistência Técnica **Hilti**.
- Após os trabalhos de conservação e manutenção, aplicar todos os dispositivos de protecção e verificar o respectivo funcionamento.

## 6.2 Transporte e armazenamento de ferramentas de baterias recarregáveis

### Transporte



#### CUIDADO

**Arranque inadvertido durante o transporte.** Com as baterias colocadas, pode ocorrer um arranque descontrolado da ferramenta durante o transporte e esta ficar danificada.

- ▶ Transportar a ferramenta sempre sem as baterias colocadas.

- ▶ Retirar as baterias.
- ▶ Transportar a ferramenta e as baterias embaladas individualmente.
- ▶ Nunca transportar as baterias em embalagem solta.
- ▶ Após transporte prolongado, verificar a ferramenta e as baterias quanto a danos, antes da utilização.

### Armazenamento



#### CUIDADO

**Dano acidental devido a baterias com defeito.** Se as baterias perderem líquido podem danificar a ferramenta.

- ▶ Armazenar a ferramenta sempre sem as baterias colocadas.

- ▶ Armazenar a ferramenta e as baterias em local o mais fresco e seco possível.
- ▶ Nunca armazenar as baterias em locais onde fiquem sujeitas à exposição solar, em cima de radiadores ou por trás de um vidro.
- ▶ Armazenar a ferramenta e as baterias fora do alcance de crianças e pessoas não autorizadas.
- ▶ Após armazenamento prolongado, verificar a ferramenta e as baterias quanto a danos, antes da utilização.

## 7 Ajuda em caso de avarias

No caso de avarias que não sejam mencionadas nesta tabela ou se não conseguir resolvê-las por si mesmo, contacte o nosso Centro de Assistência Técnica **Hilti**.

### 7.1 A serra de cinta não está pronta a funcionar

Avaria	Causa possível	Solução
Os LEDs não indicam nada.	A bateria não está completamente encaixada.	▶ Encaixe a bateria com um duplo clique.
	A bateria está descarregada.	▶ Carregue a bateria.
	Dispositivo de bloqueio não accionado.	▶ Accione o dispositivo de bloqueio.
1 LED pisca.	Bateria descarregada.	▶ Substitua a bateria e carregue a bateria descarregada.
	Bateria demasiado quente ou demasiado fria.	▶ Deixe que a bateria atinja a temperatura de funcionamento recomendada.
4 LEDs piscam.	Serra de cinta temporariamente sobrecarregada.	▶ Largue o interruptor on/off e volte a accioná-lo.
	Serra de cinta demasiado quente.	▶ Deixe a serra de cinta arrefecer.
	A ferramenta encrava	▶ Verifique se a lâmina de serra foi montada correctamente e/ou danificada.

### 7.2 A serra de cinta está pronta a funcionar

Avaria	Causa possível	Solução
Frac performance da ferramenta.	O interruptor on/off não foi totalmente pressionado.	▶ Pressione completamente o interruptor on/off.
	Bateria descarregada.	▶ Substitua a bateria e carregue a bateria descarregada.



### AVISO

**Risco de ferimentos.** Perigo devido a reciclagem incorrecta.

- ▶ Em caso de reciclagem incorrecta do equipamento, podem surgir as seguintes consequências: A combustão de componentes plásticos pode gerar fumos tóxicos que representam um perigo para a saúde. Se danificadas ou expostas a temperaturas muito elevadas, as baterias podem explodir, originando queimaduras por ácido, intoxicação e poluição ambiental. Uma eliminação incorrecta (ou ausência desta) permite que pessoas não autorizadas/habilitadas utilizem o equipamento para fins diferentes daqueles para os quais foi concebido. Consequentemente, podem ferir-se a si próprias ou a terceiros ou causar poluição ambiental.
- ▶ Recicle imediatamente as baterias avariadas. Mantenha-as afastadas do alcance das crianças. Não desmantele nem incinere as baterias.
- ▶ Recicle as baterias de acordo com as regulamentações nacionais em vigor ou devolva as baterias usadas à **Hilti**.



As ferramentas **Hilti** são, em grande parte, fabricadas com materiais recicláveis. Um pré-requisito para a reciclagem é que esses materiais sejam devidamente separados. Em muitos países, a **Hilti** aceita a sua ferramenta usada para reutilização. Para mais informações dirija-se ao Serviço de Clientes **Hilti** ou ao seu vendedor.



- ▶ Não deite ferramentas eléctricas no lixo doméstico!

## 9 Garantia do fabricante

- ▶ Em caso de dúvidas quanto às condições de garantia, contacte o seu parceiro **Hilti** local.



This Product is Certified  
Ce produit est homologué  
Producto homologado por  
Este producto está registrado





Hilti Corporation

LI-9494 Schaan

Tel.: +423/234 21 11

Fax: +423/234 29 65

[www.hilti.com](http://www.hilti.com)

Hilti = registered trademark of Hilti Corp., Schaan



2145464

Pos. 3 | 20170602