

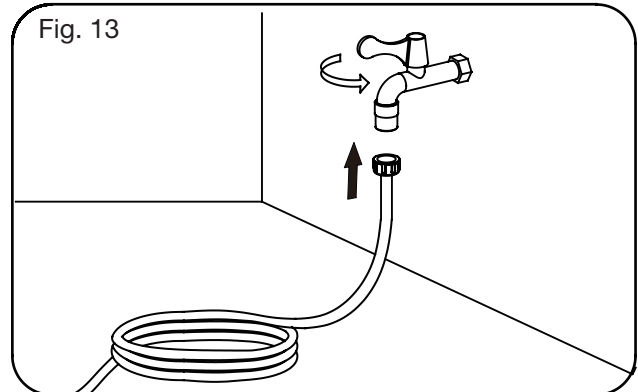
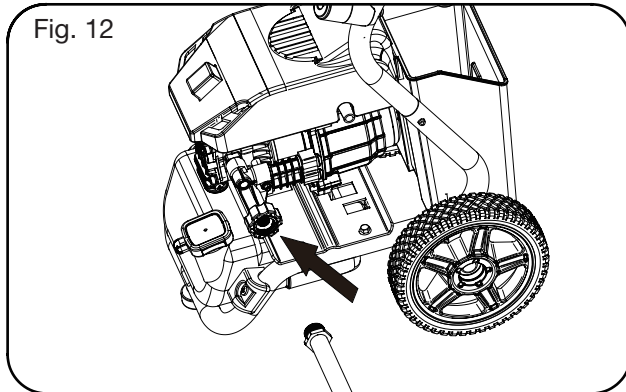
ASSEMBLY AND OPERATION INSTRUCTIONS



CAUTION

The pressure washer must only be used with clean water. Use of unfiltered water or corrosive chemicals will damage the pressure washer.

This pressure washer is not intended to pump hot water. Never connect it to a hot water supply as it will significantly reduce the life of the pump.

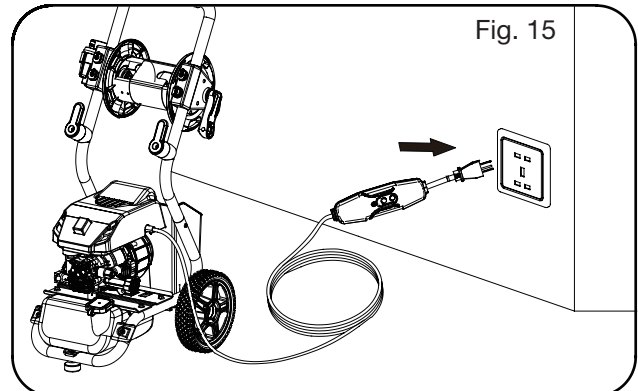
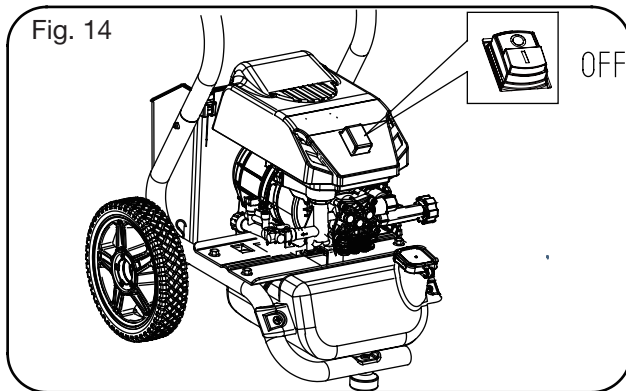


13. OFF position (Fig. 14)

Make sure the ON/OFF switch is on the OFF position before plugging in the unit, press the switch button with mark “O” to ensure it is off.

14. Connect to power socket (Fig. 15)

Insert the plug into the power socket.



WARNING

The pressure washer is equipped with a main power “ON/OFF” (I/O) switch located on the unit. It should always be moved to the “OFF” (O) position when the pressure washer is not being used to prevent possible injury or damage.

Ground Fault Circuit Interrupter Protection

This device provides additional protection from the risk of electrical shock. Plug the Ground Fault Circuit Interrupter (GFCI) into a power outlet. Indicator should turn red. **TEST BEFORE EACH USE.** Press the “TEST” button. Red indicator should disappear. Press “RESET” button again for use. Do not use if above test fails.

ASSEMBLY AND OPERATION INSTRUCTIONS

OPERATION INSTRUCTIONS



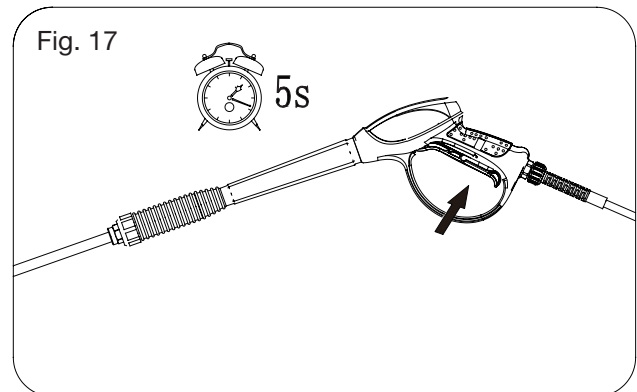
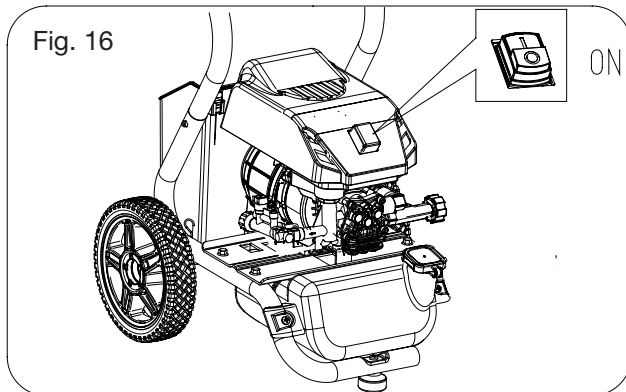
WARNING

Risk of injury, Do Not Direct discharge stream at self or other persons.



WARNING

Before cleaning any surface, an inconspicuous area should be cleaned to test spray pattern and distance for maximum cleaning results.



1. Turn ON the pressure washer by pressing the button with mark “ I ”. The unit will run for a few seconds to build up pressure, then will stop on the function of total stop system (TSS). (Fig. 16)

2. Release the trigger lock and squeeze the gun trigger until there is a steady stream of water. Change the spray tip as per the recommendation above if necessary. Before changing spray tip, switch the machine OFF, depress trigger to release pressure and engage the trigger lock. (Fig. 17)



CAUTION

Make sure spray tip and wand is well locked. Do not remove the spray tip while trigger is depressed.

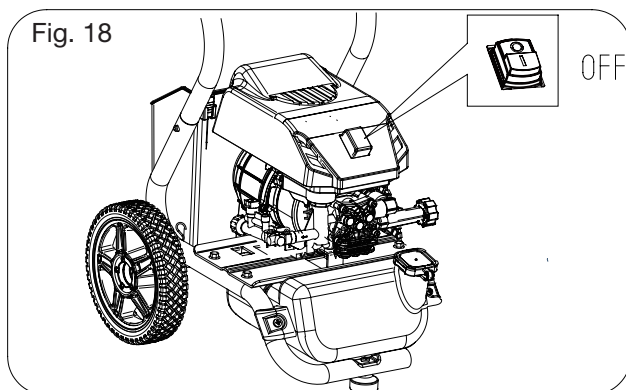


CAUTION

If painted surfaces are peeling or chipping, use extreme caution as pressure washer may remove the loose paint from the surface.

For most cleaning applications, a twenty-five degree (25°) spray angle is recommended to avoid damage to the surface being sprayed.

The pressure of spray on the surface will increase when you move the wand closer to the surface.



ASSEMBLY AND OPERATION INSTRUCTIONS

3. Turn off the pressure washer by pressing the switch button with mark “ O ”, activate the safety latch for a break. For storage, drain machine after use by removing water connection, turning ON the machine for 3 seconds and depressing gun trigger to release remaining water in the pump. Turn OFF immediately. (Fig. 18)

CLEANING DETERGENTS DISPENSER

Only use cleaning detergents recommended for pressure washers.

Always follow detergent manufacturer’s label recommendations for proper use of detergents or soap. Always protect eyes, skin and respiratory system from detergent if used.



CAUTION

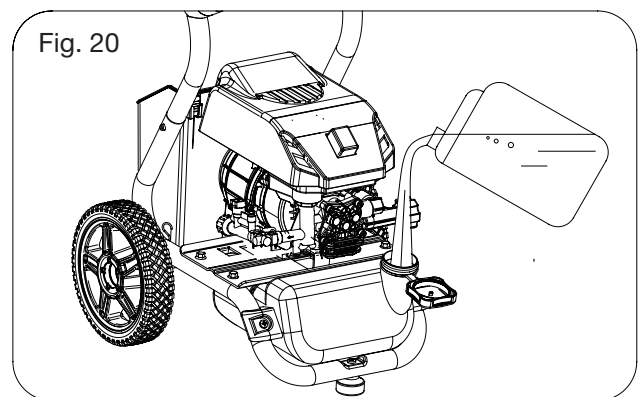
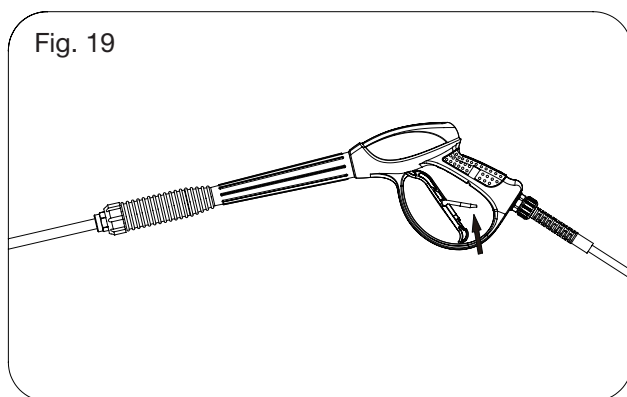
Working with detergent ensures a quick soaking of the dirt, and allows the high-pressure water to penetrate and remove the dirt more effectively.

To apply detergents, you must be operating at low pressure. This provides a gentle application of detergent, with the pressure equivalent to the lowest garden hose. The high-pressure setting is used for cleaning, **you cannot apply detergents when working at high pressure.**

Always test detergent in an inconspicuous area before use.

NO BLEACH!

1. Engage gun safety lock.



2. Attach the low-pressure spray tip (black) for soap or detergent application. Detergent application will only work with low pressure spray tip.
3. As shown Fig.20 remove the cap of detergent tank, fill tank with detergent or soap and replace the cap. Apply detergent as instructed by the detergent manufacturer.
4. Turn on the pressure washer. Squeeze trigger to operate unit. The liquid detergent will automatically mix with water, and be discharged through the nozzle. Apply detergent to work surface, from bottom to top.
5. Allow detergent to remain on the surface for a short time before rinsing. Do not allow detergent to dry on surface.
6. Rinse with clean water under high pressure. On a vertical surface, rinse from the bottom up, then rinse from the top down to avoid streaking. Hold nozzle 8-10” from the cleaning surface, at a 45° angle.

ASSEMBLY AND OPERATION INSTRUCTIONS



CAUTION

Failure to follow detergent cleaning procedure will cause the dispensing system to become clogged.

Damage may occur to painted surfaces if a chemical is allowed to dry on surface. Wash and rinse a small section at a time. Avoid working on hot surfaces or in direct sunlight.

Never use:

- Bleach, chlorine products and other corrosive chemicals
- Liquids containing solvents (i.e., paint thinners, gasoline, oils)
- Tri-sodium phosphate products
- Ammonia products
- Acid-based products

These chemicals will harm the unit and will damage the surface being cleaned.

SHUTTING DOWN AND STORAGE

1. (If you are not using detergent, go directly to Step 2.) When you have finished using the detergent dispensing system, fill detergent tank with clean water to rinse the system clean. Squeeze the gun trigger for one minute at low pressure so that all detergents remaining in system are thoroughly flushed out. Remove detergent tank to empty the remaining water, and rinse it until it is thoroughly cleaned.
2. Turn off water supply and disconnect the garden hose from the faucet and the water inlet on the unit.
3. Squeeze the gun trigger for a few seconds to release any remaining water until water spray stops, turn off unit immediately.
4. Unplug power cord from the power outlet and wrap it.
5. Disconnect the high-pressure hose from the gun wand and wrap it.
6. Engage gun trigger lock and disconnect the quick-connect wand from trigger handle, disassemble and replace the spray tip to tip holder on the unit, insert the wand into the wand holder.
7. Store the machine and accessories in a room that does not reach freezing temperatures. Do not store near furnace or other sources of heat as it may dry out the pump seals.



WARNING

Turn off water supply and squeeze trigger to depressurize the unit. Failure to do so could result in personal injury due to discharge of high-pressure water.

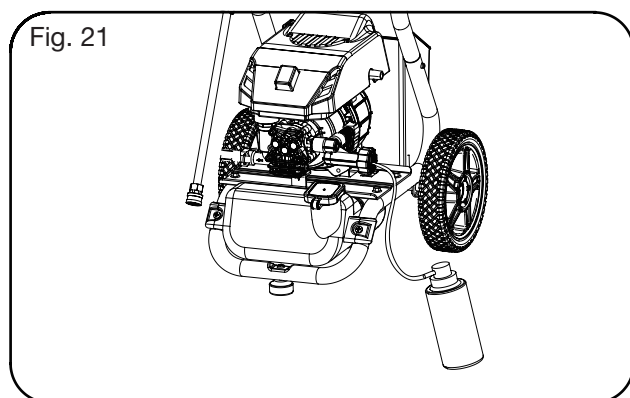
Optimum Winterizing Procedure

Winterizing your pressure washer will help protect and prolong its life. We strongly recommend you follow the below steps using ***Pressure Washer Pump Saver**.

This will keep the internal parts lubricated, protected from rust, and prevents the pump from freezing.

8. Connect Pressure Washer Pump Saver hose onto the water inlet.
9. Depress button on top of pump saver container.
10. Continue until fluid exits the high-pressure hose for 15 seconds.
11. Remove the hose from pump inlet (water inlet).

***Pressure Washer Pump Saver not included.**

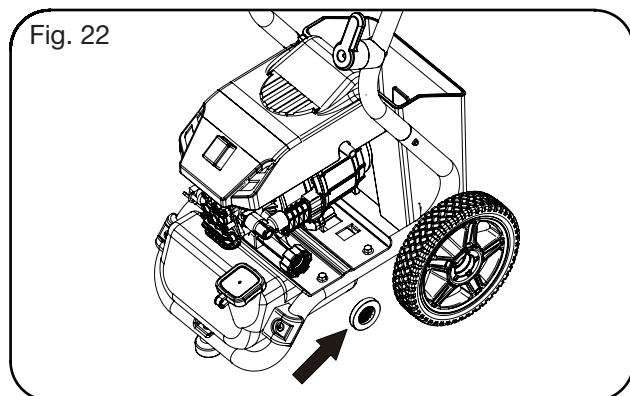


CLEANING AND MAINTENANCE

Water Filter Screen

The pressure washer is equipped with a water inlet filter screen to protect the pump. If the screen is not kept clean, the flow of water to the pressure washer will be restricted and the pump may be damaged.

1. To clean inner water screen, remove the inlet adaptor and remove the filter screen from the pump inlet.
2. Rinse screen until it is free of debris and blockage.
3. Replace screen immediately to prevent any foreign matter from entering the pump.



A clogged water filter screen can cause excessive pressure to build-up in the pressure washer's pump. The wand's water filter screen should be cleaned regularly to avoid damaging the wand or pump. For new purchase please call at 1-(866) 902-9690.

4. Using needle-nose pliers, carefully take the water filter screen out of the wand.
5. Clean the water filter screen by carefully inserting the water filter cleaning tool provided or a thin and sharp instrument (e.g. paperclip) into the filter to remove any dirt deposited. Rinse with clean water.
6. Using needle-nose pliers, carefully reinsert the water filter screen into the wand. Ensure the screen fits tightly into the wand's water inlet opening.

Main body cleaning

Use only mild soap and damp cloth to clean the main body.



Connections

Connections on pressure washer hoses, gun and spray wand should be cleaned regularly and lubricated with non-water soluble grease.

Spray Tips Only

Clogging of the spray tips causes the pump pressure to be too high and cleaning is immediately required. Clean the spray tips by carefully inserting the needle provided into the tip to remove any dirt deposited.

