



OPERATOR'S MANUAL

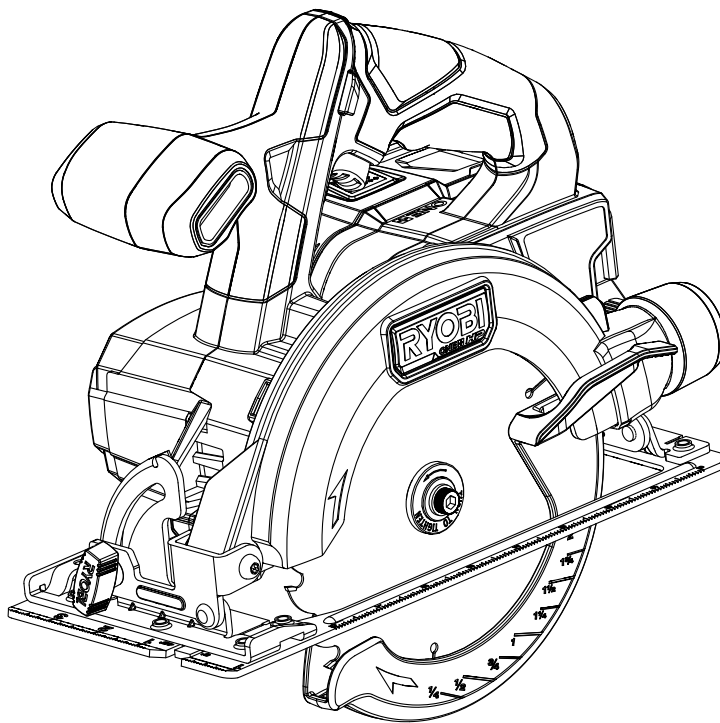
MANUEL D'UTILISATION MANUAL DEL OPERADOR

6-1/2 in. 18 VOLT CIRCULAR SAW

165 MM (6-1/2 po) 18 V SCIE CIRCULAIRE

165 MM (6-1/2 pulg.) 18 V SIERRA CIRCULAR

PSBCS01



INCLUDES: Circular Saw, Blade, Blade Wrench, Vacuum Attachment with Screw, Operator's Manual

TABLE OF CONTENTS

- General Power Tool Safety Warnings 2-3
- Circular Saw Safety Warnings 3-4
- Symbols 5
- Features 6
- Assembly 6
- Operation 7-10
- Adjustments 11
- Maintenance 12
- Accessories 12
- Illustrations 13-17
- Parts Ordering and Service Back page

INCLUT : Scie circulaire, lame, clé à lame, accessoire d'aspiration avec vis, manuel del utilisation

TABLE DES MATIÈRES

- Avertissements de sécurité relatives aux outils électriques 2-3
- Avertissements de sécurité relatifs au scie circulaire 3-4
- Symboles 5
- Caractéristiques 6
- Assemblage 6
- Utilisation 7-10
- Réglages 11
- Entretien 12
- Accessoires 12
- Illustrations 13-17
- Commande de pièces et réparation Page arrière

INCLUYE: Sierra circular, hoja, llave de la hoja, accesorio para aspiradora con tornillo, manual del operador

ÍNDICE DE CONTENIDO

- Advertencias de seguridad para herramientas eléctricas 2-3
- Advertencias de seguridad sierra circular 3-4
- Símbolos 5
- Características 6
- Armado 6
- Funcionamiento 7-11
- Ajustes 11
- Mantenimiento 12
- Accesorios 12
- Ilustraciones 13-17
- Pedidos de piezas y servicio Pág. posterior

⚠ WARNING: To reduce the risk of injury, the user must read and understand the operator's manual before using this product.

⚠ AVERTISSEMENT : Pour réduire les risques de blessures, l'utilisateur doit lire et veiller à bien comprendre le manuel d'utilisation avant d'employer ce produit.

⚠ ADVERTENCIA: Para reducir el riesgo de lesiones, el usuario debe leer y comprender el manual del operador antes de usar este producto.

SAVE THIS MANUAL FOR FUTURE REFERENCE

CONSERVER CE MANUEL POUR FUTURE RÉFÉRENCE

GUARDE ESTE MANUAL PARA FUTURAS CONSULTAS

GENERAL POWER TOOL SAFETY WARNINGS

WARNING

Read all safety warnings, instructions, illustrations and specifications provided with this power tool. Failure to follow all instructions listed below may result in electric shock, fire and/or serious injury.

Save all warnings and instructions for future reference. The term “power tool” in the warnings refers to your mains-operated (corded) power tool or battery-operated (cordless) power tool.

WORK AREA SAFETY

- **Keep work area clean and well lit.** Cluttered or dark areas invite accidents.
- **Do not operate power tools in explosive atmospheres, such as in the presence of flammable liquids, gases or dust.** Power tools create sparks which may ignite the dust or fumes.
- **Keep children and bystanders away while operating a power tool.** Distractions can cause you to lose control.

ELECTRICAL SAFETY

- **Power tool plugs must match the outlet. Never modify the plug in any way. Do not use any adapter plugs with earthed (grounded) power tools.** Unmodified plugs and matching outlets will reduce risk of electric shock.
- **Avoid body contact with earthed or grounded surfaces, such as pipes, radiators, ranges and refrigerators.** There is an increased risk of electric shock if your body is earthed or grounded.
- **Do not expose power tools to rain or wet conditions.** Water entering a power tool will increase the risk of electric shock.
- **Do not abuse the cord. Never use the cord for carrying, pulling or unplugging the power tool. Keep cord away from heat, oil, sharp edges or moving parts.** Damaged or entangled cords increase the risk of electric shock.
- **When operating a power tool outdoors, use an extension cord suitable for outdoor use.** Use of a cord suitable for outdoor use reduces the risk of electric shock.
- **If operating a power tool in a damp location is unavoidable, use a ground fault circuit interrupter (GFCI) protected supply.** Use of a GFCI reduces the risk of electric shock.
- **Use this product only with batteries and chargers listed in tool/appliance/battery pack/charger correlation supplement 987000-432.**

PERSONAL SAFETY

- **Stay alert, watch what you are doing and use common sense when operating a power tool. Do not use a power tool while you are tired or under the influence of drugs, alcohol or medication.** A moment of inattention while operating power tools may result in serious personal injury.

- **Use personal protective equipment. Always wear eye protection.** Protective equipment such as a dust mask, non-skid safety shoes, hard hat, or hearing protection used for appropriate conditions will reduce personal injuries.
- **Prevent unintentional starting. Ensure the switch is in the off-position before connecting to power source and/or battery pack, picking up or carrying the tool.** Carrying power tools with your finger on the switch or energizing power tools that have the switch on invites accidents.
- **Remove any adjusting key or wrench before turning the power tool on.** A wrench or a key left attached to a rotating part of the power tool may result in personal injury.
- **Do not overreach. Keep proper footing and balance at all times.** This enables better control of the power tool in unexpected situations.
- **Dress properly. Do not wear loose clothing or jewelry. Keep your hair and clothing away from moving parts.** Loose clothes, jewelry or long hair can be caught in moving parts.
- **If devices are provided for the connection of dust extraction and collection facilities, ensure these are connected and properly used.** Use of dust collection can reduce dust-related hazards.
- **Do not let familiarity gained from frequent use of tools allow you to become complacent and ignore tool safety principles.** A careless action can cause severe injury within a fraction of a second.
- **Do not wear loose clothing or jewelry.** Contain long hair. Loose clothes, jewelry, or long hair can be drawn into air vents.
- **Do not use on a ladder or unstable support.** Stable footing on a solid surface enables better control of the power tool in unexpected situations.

POWER TOOL USE AND CARE

- **Do not force the power tool. Use the correct power tool for your application.** The correct power tool will do the job better and safer at the rate for which it was designed.
- **Do not use the power tool if the switch does not turn it on and off.** Any power tool that cannot be controlled with the switch is dangerous and must be repaired.
- **Disconnect the plug from the power source and/or remove the battery pack, if detachable, from the power tool before making any adjustments, changing accessories, or storing power tools.** Such preventive safety measures reduce the risk of starting the power tool accidentally.
- **Store idle power tools out of the reach of children and do not allow persons unfamiliar with the power tool or these instructions to operate the power tool.** Power tools are dangerous in the hands of untrained users.
- **Maintain power tools and accessories. Check for misalignment or binding of moving parts, breakage of parts and any other condition that may affect the power tool's operation. If damaged, have the power**

GENERAL POWER TOOL SAFETY WARNINGS

tool repaired before use. Many accidents are caused by poorly maintained power tools.

- **Keep cutting tools sharp and clean.** Properly maintained cutting tools with sharp cutting edges are less likely to bind and are easier to control.
- **Use the power tool, accessories and tool bits etc. in accordance with these instructions, taking into account the working conditions and the work to be performed.** Use of the power tool for operations different from those intended could result in a hazardous situation.
- **Keep handles and grasping surfaces dry, clean and free from oil and grease.** Slippery handles and grasping surfaces do not allow for safe handling and control of the tool in unexpected situations.

BATTERY TOOL USE AND CARE

- **Recharge only with the charger specified by the manufacturer.** A charger that is suitable for one type of battery pack may create a risk of fire when used with another battery pack.
- **Use power tools only with specifically designated battery packs.** Use of any other battery packs may create a risk of injury and fire.
- **When battery pack is not in use, keep it away from other metal objects, like paper clips, coins, keys, nails, screws or other small metal objects, that can make a connection from one terminal to another.** Shorting the battery terminals together may cause burns or a fire.

- **Under abusive conditions, liquid may be ejected from the battery; avoid contact. If contact accidentally occurs, flush with water. If liquid contacts eyes, additionally seek medical help.** Liquid ejected from the battery may cause irritation or burns.
- **Do not use a battery pack or tool that is damaged or modified.** Damaged or modified batteries may exhibit unpredictable behavior resulting in fire, explosion, or risk of injury.
- **Do not expose a battery pack or tool to fire or excessive temperature.** Exposure to fire or temperature above 265° F may cause explosion.
- **Follow all charging instructions and do not charge the battery pack or tool outside the temperature range specified in the instructions.** Charging improperly or at temperatures outside the specified range may damage the battery and increase the risk of fire.

SERVICE

- **Have your power tool serviced by a qualified repair person using only identical replacement parts.** This will ensure that the safety of the power tool is maintained.
- **Never service damaged battery packs.** Service of battery packs should only be performed by the manufacturer or authorized service providers.

CIRCULAR SAW SAFETY WARNINGS

CUTTING PROCEDURES

DANGER:

Keep hands away from cutting area and the blade. Keep your second hand on auxiliary handle, or motor housing. If both hands are holding the saw, they cannot be cut by the blade.

- **Do not reach underneath the workpiece.** The guard can not protect you from the blade below the workpiece.
- **Adjust the cutting depth to the thickness of the workpiece.** Less than a full tooth of the blade teeth should be visible below the workpiece.
- **Never hold the workpiece in your hands or across your leg while cutting. Secure the workpiece to a stable platform.** It is important to support the work properly to minimize body exposure, blade binding, or loss of control.
- **Hold the power tool by insulated gripping surfaces, when performing an operation where the cutting tool may contact hidden wiring.** Contact with a “live” wire will also make exposed metal parts of the power tool “live” and could give the operator an electric shock.

- **When ripping, always use a rip fence or straight edge guide.** This improves the accuracy of cut and reduces the chance of blade binding.
- **Always use blades with correct size and shape (diamond versus round) of arbour holes.** Blades that do not match the mounting hardware of the saw will run off-centre, causing loss of control.
- **Never use damaged or incorrect blade washers or bolt.** The blade washers and bolt were specially designed for your saw, for optimum performance and safety of operation.

KICKBACK CAUSES AND RELATED WARNINGS

- Kickback is a sudden reaction to a pinched, jammed or misaligned saw blade, causing an uncontrolled saw to lift up and out of the workpiece toward the operator;
- When the blade is pinched or jammed tightly by the kerf closing down, the blade stalls and the motor reaction drives the unit rapidly back toward the operator;
- If the blade becomes twisted or misaligned in the cut, the teeth at the back edge of the blade can dig into the top surface of the wood causing the blade to climb out of the kerf and jump back toward the operator.

CIRCULAR SAW SAFETY WARNINGS

Kickback is the result of saw misuse and/or incorrect operating procedures or conditions and can be avoided by taking proper precautions as given below:

- **Maintain a firm grip with both hands on the saw and position your arms to resist kickback forces. Position your body to either side of the blade, but not in line with the blade.** Kickback could cause the saw to jump backwards, but kickback forces can be controlled by the operator, if proper precautions are taken.
- **When blade is binding, or when interrupting a cut for any reason, release the trigger and hold the saw motionless in the material until the blade comes to a complete stop. Never attempt to remove the saw from the work or pull the saw backward while the blade is in motion or kickback may occur.** Investigate and take corrective actions to eliminate the cause of blade binding.
- **When restarting a saw in the workpiece, centre the saw blade in the kerf and check that saw teeth are not engaged into the material.** If a saw blade binds, it may walk up or kickback from the workpiece as the saw is restarted.
- **Support large panels to minimise the risk of blade pinching and kickback.** Large panels tend to sag under their own weight. Supports must be placed under the panel on both sides, near the line of cut and near the edge of the panel.
- **Do not use dull or damaged blades.** Unsharpened or improperly set blades produce narrow kerf causing excessive friction, blade binding and kickback.
- **Blade depth and bevel adjusting locking levers must be tight and secure before making the cut.** If blade adjustment shifts while cutting, it may cause binding and kickback.
- **Use extra caution when sawing into existing walls or other blind areas.** The protruding blade may cut objects that can cause kickback.

LOWER GUARD FUNCTION

- **Check lower guard for proper closing before each use. Do not operate the saw if lower guard does not move freely and close instantly. Never clamp or tie the lower guard into the open position.** If saw is accidentally dropped, lower guard may be bent. Raise the lower guard with the retracting handle and make sure it moves freely and does not touch the blade or any other part, in all angles and depths of cut.
- **Check the operation of the lower guard spring. If the guard and the spring are not operating properly, they must be serviced before use.** Lower guard may operate sluggishly due to damaged parts, gummy deposits, or a build-up of debris.
- **The lower guard may be retracted manually only for special cuts such as “plunge cuts” and “compound cuts.” Raise the lower guard by retracting handle and as soon as blade enters the material, the lower guard must be released.** For all other sawing, the lower guard should operate automatically.




- **Always observe that the lower guard is covering the blade before placing the saw down on bench or floor.** An unprotected, coasting blade will cause the saw to walk backwards, cutting whatever is in its path. Be aware of the time it takes for the blade to stop after switch is released.

ADDITIONAL SAFETY WARNINGS







- **Use clamps or other practical way to secure and support the workpiece to a stable platform.** Holding the work by hand or against your body is unstable and may lead to loss of control.
- **Always wear eye protection with side shields marked to comply with ANSI Z87.1 when assembling parts, operating the tool, or performing maintenance.** Following this rule will reduce the risk of serious personal injury.
- **Protect your lungs. Wear a face or dust mask if the operation is dusty.** Following this rule will reduce the risk of serious personal injury.
- **Protect your hearing. Wear hearing protection during extended periods of operation.** Following this rule will reduce the risk of serious personal injury.
- **Battery tools do not have to be plugged into an electrical outlet; therefore, they are always in operating condition. Be aware of possible hazards when not using your battery tool or when changing accessories.** Following this rule will reduce the risk of electric shock, fire, or serious personal injury.
- **Do not place battery tools or their batteries near fire or heat.** This will reduce the risk of explosion and possibly injury.
- **Do not crush, drop or damage battery pack. Do not use a battery pack or charger that has been dropped or received a sharp blow.** A damaged battery is subject to explosion. Properly dispose of a dropped or damaged battery immediately.
- **Batteries can explode in the presence of a source of ignition, such as a pilot light.** To reduce the risk of serious personal injury, never use any cordless product in the presence of open flame. An exploded battery can propel debris and chemicals. If exposed, flush with water immediately.
- **Do not charge battery tool in a damp or wet location. Do not use, store, or charge battery packs or products in locations where the temperature is less than 50°F or more than 100°F.** Do not store outside or in vehicles.
- **Under extreme usage or temperature conditions, battery leakage may occur. If liquid comes in contact with your skin, wash immediately with soap and water. If liquid gets into your eyes, flush them with clean water for at least 10 minutes, then seek immediate medical attention.** Following this rule will reduce the risk of serious personal injury.
- **Save these instructions.** Refer to them frequently and use them to instruct others who may use this tool. If you loan someone this tool, loan them these instructions also.

SYMBOLS

The following signal words and meanings are intended to explain the levels of risk associated with this product.

SYMBOL	SIGNAL	MEANING
	DANGER:	Indicates a hazardous situation, which, if not avoided, will result in death or serious injury.
	WARNING:	Indicates a hazardous situation, which, if not avoided, could result in death or serious injury.
	CAUTION:	Indicates a hazardous situation, that, if not avoided, may result in minor or moderate injury.
	NOTICE:	(Without Safety Alert Symbol) Indicates information considered important, but not related to a potential injury (e.g. messages relating to property damage).

Some of the following symbols may be used on this product. Please study them and learn their meaning. Proper interpretation of these symbols will allow you to operate the product better and safer.

SYMBOL	NAME	DESIGNATION/EXPLANATION
	Safety Alert	Indicates a potential personal injury hazard.
	Read Operator's Manual	To reduce the risk of injury, user must read and understand operator's manual before using this product.
	Eye Protection	Always wear eye protection with side shields marked to comply with ANSI Z87.1.
	Wet Conditions Alert	Do not expose to rain or use in damp locations.
	No Hands Symbol	Failure to keep your hands away from the blade will result in serious personal injury.
	Recycle Symbol	This product uses lithium-ion (Li-ion) batteries. Local, state or federal laws may prohibit disposal of batteries in ordinary trash. Consult your local waste authority for information regarding available recycling and/or disposal options.
V	Volts	Voltage
min	Minutes	Time
==	Direct Current	Type or a characteristic of current
n_0	No Load Speed	Rotational speed, at no load
.../min	Per Minute	Revolutions, strokes, surface speed, orbits etc., per minute

FEATURES

PRODUCT SPECIFICATIONS

Blade Diameter.....	6-1/2 in.	Cutting Depth at 45°.....	1-9/16 in.
Blade Arbor	5/8 in.	Cutting Depth at 50°.....	1-3/8 in.
Cutting Depth at 0°.....	2-1/4 in.	No Load Speed (RPM)	4,900/min

ASSEMBLY

UNPACKING

This product requires assembly.

- Carefully remove the tool and any accessories from the box. All items listed in the **Includes** section must be included at the time of purchase.

WARNING:

Do not use this product if any parts on the Includes List are already assembled to your product when you unpack it. Parts on this list are not assembled to the product by the manufacturer and require customer installation. Use of a product that may have been improperly assembled could result in serious personal injury.

- If any parts are damaged or missing, please call 1-800-525-2579 for assistance.

WARNING:

If any parts are damaged or missing do not operate this product until the parts are replaced. Use of this product with damaged or missing parts could result in serious personal injury.

WARNING:

Do not attempt to modify this product or create accessories not recommended for use with this product. Any such alteration or modification is misuse and could result in a hazardous condition leading to possible serious personal injury.

ATTACHING THE BLADE

See Figure 1, page 13.

WARNING:

A 6-1/2 in. blade is the maximum blade capacity of the saw. Never use a blade that is too thick to allow outer blade washer to engage with the flats on the spindle. Larger blades will come in contact with the blade guard, while thicker blades will prevent blade screw from securing blade on spindle. Either of these situations could result in a serious accident.

- Remove the battery pack.
- Remove the blade wrench (5 mm hex key) from the storage area.
- Depress the spindle lock button and remove the blade screw and outer blade washer.

NOTE: Turn the blade screw clockwise to remove.

NOTICE:

To prevent damage to the spindle or spindle lock, always allow motor to come to a complete stop before engaging spindle lock.

NOTE: Do not run the circular saw with spindle lock engaged.

- Wipe a drop of oil onto the inner blade washer and outer blade washer where they contact the blade.

WARNING:

If inner blade washer has been removed, replace it before placing blade on spindle. Failure to do so could cause an accident since blade will not tighten properly.

- Raise the lower blade guard.
- Be sure the inner blade washer is in place on the drive shaft before installing the new blade. Place the saw blade inside the lower blade guard and onto the spindle.

NOTE: The saw teeth point upward at the front of the saw.

- Replace the outer blade washer.
- Depress the spindle lock button, then replace the blade screw. Tighten the blade screw securely by turning it counterclockwise.
- Return the blade wrench to the storage area.

REMOVING THE BLADE

See Figure 2, page 13.

- Remove the battery pack.
- Remove the blade wrench from the storage area.
- Position the saw as shown. Depress the spindle lock button, and remove the blade screw by turning it clockwise.
- Remove outer blade washer.
- Lift lower blade guard.
- Remove blade.

OPERATION

DANGER:

Keep hands away from cutting area and the blade. Keep your second hand on auxiliary handle, or motor housing. If both hands are holding the saw, they cannot be cut by the blade.

WARNING:

Do not allow familiarity with this product to make you careless. Remember that a careless fraction of a second is sufficient to inflict serious injury.

WARNING:

Always remove battery pack from the tool when you are assembling parts, making adjustments, cleaning, or when not in use. Removing battery pack will prevent accidental starting that could cause serious personal injury.

WARNING:

Always wear eye protection with side shields marked to comply with ANSI Z87.1. Failure to do so could result in objects being thrown into your eyes and other possible serious injuries.

WARNING:

Do not use any attachments or accessories not recommended by the manufacturer of this product. The use of attachments or accessories not recommended can result in serious personal injury.

APPLICATIONS

You may use this tool for the following purposes:

- Cutting all types of wood products (lumber, plywood, paneling)
- Cross cutting/rip cutting wood products
- Bevel cutting wood products
- Pocket cutting wood products

WARNING:

Never use abrasive cut-off wheels of any kind with this saw. Use of non wood cutting blades can result in property damage or serious personal injury.

INSTALLING/REMOVING THE BATTERY PACK

See Figure 3, page 14.

- Insert the battery pack into the product as shown.
- Make sure the latches on each side of the battery pack snap into place and the battery pack is secured in the saw before beginning operation.
- Depress the latches to remove the battery pack.

For complete charging instructions, see the operator's manuals for your battery pack and charger.

WARNING:

Battery tools are always in operating condition. Therefore, switch should always be locked when not in use or carrying at your side.

INSTALLING THE VACUUM ATTACHMENT

See Figure 4, page 14.

The vacuum attachment provided with the saw may be installed for easy dust removal and disposal. It fits vacuum hoses 1-1/4 in. and 1-7/8 in.

NOTE: If you use the vacuum attachment, you should always connect it to a standard vacuum cleaner hose. To attach the vacuum attachment to the saw:

- Remove the battery.
- Orient adaptor to fit into the dust chute opening on the rear of the upper blade guard.
- Secure adaptor with screw provided.
- Attach the vacuum hose to the vacuum attachment.

NOTE: A 1-1/4 in. vacuum hose will fit inside the vacuum attachment, a 1-7/8 in. vacuum hose will fit over the vacuum attachment.

KICKBACK

See Figures 5 - 8, page 14.

Kickback occurs when the blade stalls rapidly and the saw is driven back towards you. Blade stalling is caused by any action which pinches the blade in the wood.

WARNING:

Release switch immediately if blade binds or saw stalls. Kickback could cause you to lose control of the saw. Loss of control can lead to serious personal injury.

To guard against kickback, avoid dangerous practices such as the following:

- Setting blade depth incorrectly.
- Sawing into knots or nails in workpiece.

OPERATION

- Twisting the blade while making a cut.
- Making a cut with a dull, gummed up, or improperly set blade.
- Supporting the workpiece incorrectly.
- Forcing a cut.
- Cutting warped or wet lumber.
- Operating the tool incorrectly or misusing the tool.

To lessen the chance of kickback, follow these safety practices:

- Keep the blade at the correct depth setting. Less than a full tooth of the blade teeth should be visible below the workpiece.
- Inspect the workpiece for knots or nails before cutting. Never saw into a knot or nail.
- Make straight cuts. Always use a straight edge guide when rip cutting. This helps prevent twisting the blade.
- Use clean, sharp, and properly set blades. Never make cuts with dull blades.
- Support and clamp the workpiece properly before beginning a cut.
- Use steady, even pressure when making a cut. Never force a cut.
- Do not cut warped or wet lumber.
- Always let the blade reach full speed before beginning a cut.
- Hold the saw firmly with both hands and keep your body in a balanced position so as to resist the forces if kickback should occur.

WARNING:

When using the saw, always stay alert and exercise control. Do not remove the saw from the workpiece while the blade is moving.

SAW BLADES

The best of saw blades will not cut efficiently if they are not kept clean, sharp, and properly set. Using a dull blade will place a heavy load on the saw and increase the danger of kickback. Keep extra blades on hand, so that sharp blades are always available.

Gum and wood pitch hardened on blades will slow the saw down. Remove saw blade from the saw and use gum and pitch remover, hot water, or kerosene to remove these accumulations. **DO NOT USE GASOLINE.**

BLADE GUARD SYSTEM

See Figure 9, page 14.

The lower blade guard attached to your circular saw is there for your protection and safety. Do not alter it for any reason. If it becomes damaged, do not operate the saw until you have the guard repaired or replaced. Always leave guard in operating position when using the saw.

DANGER:

When sawing through work, lower blade guard does not cover blade on the underside of work. Since blade is exposed on underside of work, keep hands and fingers away from cutting area. Any part of your body coming in contact with moving blade will result in serious injury.

WARNING:

To avoid possible serious injury, never use saw when guard is not operating correctly. Check the guard for correct operation before each use. The guard is operating correctly when it moves freely, and instantly returns to the closed position. If you drop the saw, check the lower blade guard and bumper for damage at all depth settings before reuse.

WARNING:

Never tie the lower blade guard in a raised position. Leaving the blade exposed could lead to serious injury.

If at any time the lower blade guard does not snap closed, remove the battery from the saw. Exercise the lower guard by moving it rapidly back and forth from the full open position to the closed position several times. Normally this will restore the guard to its normal operating condition. If it does not correct a slow or sluggish closing lower guard, do not use the saw. Take it to an authorized factory service center for repair.

LOCK-OFF BUTTON

See Figure 10, page 14.

The lock-off button reduces the possibility of accidental starting. The lock-off button is located on the handle above the switch trigger. The lock-off button must be depressed before you pull the switch trigger. The lock resets each time the trigger is released.

NOTE: You can depress the lock-off button from either the left or right side.

OPERATION

STARTING/STOPPING THE SAW

See Figure 10, page 14.

To start the saw:

- Depress the lock-off button.
- Squeeze the switch trigger.

Always let the blade reach full speed, then guide the saw into the workpiece.

WARNING:

The blade coming in contact with the workpiece before it reaches full speed could cause the saw to “kickback” towards you resulting in serious injury.

To stop the saw, release the switch trigger.

After you release the switch trigger, allow the blade to come to a complete stop. **Do not remove the saw from the workpiece while the blade is moving.**

ADJUSTING BLADE DEPTH

See Figure 11, page 15.

Always keep correct blade depth setting. Less than a full tooth of the blade teeth should be visible below the workpiece. More blade depth will increase the chance of kickback and cause the cut to be rough.

- Remove the battery pack.
- Rotate depth lock lever away from the base.
- Determine the desired depth of cut.
- Lay saw on the work surface on the flat motor housing with blade side toward user and move the base to align the bottom of the base with the desired depth of cut indicator line marked on the lower blade guard.
- Rotate depth lock lever toward the base to lock into position.

OPERATING THE SAW

See Figures 12 - 13, page 15.

It is important to understand the correct method for operating the saw. Refer to the figures in this section to learn the correct and incorrect ways for handling the saw.

DANGER:

When lifting the saw from the workpiece, the blade is exposed on the underside of the saw until the lower blade guard closes. Make sure the lower blade guard is closed before setting the saw down.

WARNING:

To make sawing easier and safer, always maintain proper control of the saw by holding the saw with two hands. Loss of control could cause an accident resulting in possible serious injury.

WARNING:

Use clamps or other practical ways to secure and support the workpiece to a stable platform. Holding the work by hand or against your body is unstable and may lead to loss of control which could cause possible serious injury.

To make the best possible cut:

- Hold the saw firmly with both hands.
- Avoid placing your hand on the workpiece while making a cut.
- Support the workpiece so that the cut (kerf) is always to your side.
- Support the workpiece near the cut.
- Clamp the workpiece securely so that the workpiece will not move during the cut.
- Always place the saw on the workpiece that is supported, not the “cut off” piece.
- Place the workpiece with the “good” side down.
- Draw a guideline along the desired line of cut before beginning your cut.

CROSS CUTTING/RIP CUTTING

See Figures 14 - 15, page 15.

When making a cross cut or rip cut, align your line of cut with the 0° blade guide notch on the saw base.

Since blade thicknesses vary, always make a trial cut in scrap material along a guideline to determine how much, if any, the guideline must be offset to produce an accurate cut.

NOTE: The distance from the line of cut to the guideline is the amount you should offset the guide.

- Secure the workpiece.
- Clamp a straight edge to the workpiece using C-clamps.
- Depress the lock-off button and squeeze the switch trigger to start the saw. Always let the blade reach full speed then saw along the straight edge to achieve a straight rip cut.

NOTE: Do not bind the blade in the cut.

OPERATION

USING OPTIONAL EDGE GUIDE

See Figure 16, page 15.

Use an edge guide when making long or wide rip cuts with the saw. The edge guide is purchased separately; see *Accessories* later in this manual.

- Remove the battery pack.
- Place the edge guide through the slots in the saw base.
- Adjust the edge guide to the width needed.
- Tighten the wing screw securely.

When using an edge guide, position the face of the edge guide firmly against the edge of workpiece. This makes for a true cut without pinching the blade. The guiding edge of the workpiece must be straight for your cut to be straight. Use caution to prevent the blade from binding in the cut.

BEVEL CUTTING

See Figures 17 - 19, pages 15 and 16.

The angle of cut of the saw may be adjusted to any desired setting between zero and 50°.

NOTE: When making cuts at 50°, the blade should be set at full depth of cut.

Since blade thicknesses vary and different angles require different settings, always make a trial cut in scrap material along a guideline to determine how much you should offset the guideline on the board to be cut.

When making a bevel cut, hold the saw firmly with both hands. Rest the front edge of the base on the workpiece. Depress the lock-off button and squeeze the switch trigger to start the saw. Always let the blade reach full speed, then guide the saw into the workpiece.

WARNING:

The blade coming in contact with the workpiece before it reaches full speed could cause saw to “kickback” toward you resulting in serious injury.

After you complete your cut release the trigger and allow the blade to come to a complete stop. After the blade has stopped, lift the saw from the workpiece.

TO ADJUST BEVEL SETTING

See Figures 17 - 19, pages 15 and 16.

- Remove the battery pack.
- Rotate bevel lock lever counterclockwise until the motor housing moves freely.
- Raise the motor housing end of the saw until you reach the desired angle setting on the bevel scale (0-50°).
- Rotate the bevel lock lever clockwise until the motor housing is securely locked in place.

WARNING:

Attempting a bevel cut without having the bevel lock lever securely locked in place can result in serious injury.

POCKET CUTTING

See Figure 20, page 16.

WARNING:

Always adjust bevel setting to zero before making a pocket cut. Attempting a pocket cut at any other setting can result in loss of control of the saw possibly causing serious injury.

- Adjust the bevel setting to zero.
- Set the blade to the correct blade depth setting.
- Swing the lower blade guard up using the lower blade guard handle.
NOTE: Always raise the lower blade guard with the handle to avoid serious injury.
- Hold the lower blade guard by the handle.

WARNING:

Never extend your fingers while holding the lower blade guard handle. Extending your fingers may result in contact with the blade, causing serious injury.

- Rest the front of the base flat against the workpiece with the rear handle raised so the blade does not touch the workpiece.

DANGER:

Always check to ensure that your fingers are clear of the blade before squeezing the switch trigger. Contact with the blade will cause serious injury.

- Depress the lock-off button and squeeze the switch trigger to start the saw. Always let the blade reach full speed then slowly lower blade into the workpiece until base is flat against workpiece.
- Guide the saw into the workpiece and make the cut.

WARNING:

Always cut in a forward direction when pocket cutting. Cutting in the reverse direction could cause the saw to climb up on the workpiece and back toward you.

- Release the trigger and allow the blade to come to a complete stop.
- Lift the saw from the workpiece.
- Clear corners out with a hand saw or jig saw.

ADJUSTMENTS

POSITIVE 0° BEVEL STOP

See Figure 21, page 16.

The saw has a positive 0° bevel stop that has been factory adjusted to assure 0° angle of the saw blade when making 0° cuts. However, misalignment can occur during shipping.

To check positive 0° bevel stop:

- Remove the battery pack.
- Place the saw in an upside down position on a workbench.
- Move the lower blade guard out of the way so that the saw blade is exposed.
- Check the squareness of the saw blade to the base of the saw using a combination square.

To adjust positive 0° bevel stop:

- Remove the battery pack.
- Rotate the bevel lock lever counterclockwise to release.
- Insert a 2.5 mm hex key (not included) through the screw hole in the saw base.
- Turn adjustment screw and adjust base until it is square with the saw blade.
- Securely lock the bevel lock lever.



WARNING:

Attempting a bevel cut without having the bevel lock lever securely locked in place can result in serious injury.

MAINTENANCE

⚠ WARNING:

When servicing, use only identical replacement parts. Use of any other parts may create a hazard or cause product damage.

⚠ WARNING:

Always wear eye protection with side shields marked to comply with ANSI Z87.1. Failure to do so could result in objects being thrown into your eyes resulting in possible serious injury.

⚠ WARNING:

To avoid serious personal injury, always remove the battery pack from the product when cleaning or performing any maintenance.

GENERAL MAINTENANCE

Avoid using solvents when cleaning plastic parts. Most plastics are susceptible to damage from various types of commercial solvents and may be damaged by their use. Use clean cloths to remove dirt, dust, oil, grease, etc.

⚠ WARNING:

Do not at any time let brake fluids, gasoline, petroleum-based products, penetrating oils, etc., come in contact with plastic parts. Chemicals can damage, weaken or destroy plastic which may result in serious personal injury.

ACCESSORIES

Look for these accessories where you purchased this product:

- Edge Guide.....690119004

⚠ WARNING:

Current attachments and accessories available for use with this tool are listed above. Do not use any attachments or accessories not recommended by the manufacturer of this tool. The use of attachments or accessories not recommended can result in serious personal injury.

**ILLUSTRATIONS START ON PAGE 13
AFTER FRENCH AND SPANISH LANGUAGE SECTIONS.**

AVERTISSEMENTS DE SÉCURITÉ RELATIVES AUX OUTILS ÉLECTRIQUES

AVERTISSEMENT

Lire les avertissements de sécurité, les instructions et les précisions et consulter les illustrations fournis avec cet outil électrique. Le fait de ne pas se conformer à l'ensemble des signes présentées ci-dessous risque d'entraîner des décharges électriques, un incendie et/ou des blessures graves.

Conservier les avertissements et les instructions à des fins de référence ultérieure. Le terme « outil électrique », utilisé dans tous les avertissements ci-dessous désigne tout outil fonctionnant sur secteur (câblé) ou sur piles (sans fil).

SÉCURITÉ DU LIEU DE TRAVAIL

- **Garder le lieu de travail propre et bien éclairé.** Les endroits encombrés ou sombres sont propices aux accidents.
- **Ne pas utiliser d'outils électriques dans des atmosphères explosives, par exemple en présence de liquides, gaz ou poussières inflammables.** Les outils électriques produisent des étincelles risquant d'enflammer les poussières ou vapeurs.
- **Garder les enfants et badauds à l'écart pendant l'utilisation d'un outil électrique.** Les distractions peuvent causer une perte de contrôle.

SÉCURITÉ ÉLECTRIQUE

- **Les fiches des outils électriques doivent correspondre à la prise secteur utilisée. Ne jamais modifier la fiche, de quelconque façon que ce soit. Ne jamais utiliser d'adaptateurs de fiche avec des outils mis à la terre.** Les fiches et prises non modifiées réduisent le risque de choc électrique.
- **Éviter tout contact du corps avec des surfaces mises à la terre, telles que tuyaux, radiateurs, cuisinières et réfrigérateurs.** Le risque de choc électrique est accru lorsque le corps est mis à la terre.
- **Ne pas exposer les outils électriques à l'eau ou l'humidité.** La pénétration d'eau dans ces outils accroît le risque de choc électrique.
- **Ne pas maltraiter le cordon d'alimentation. Ne jamais utiliser le cordon d'alimentation pour transporter l'outil et ne jamais débrancher ce dernier en tirant sur le cordon. Garder le cordon à l'écart de la chaleur, de l'huile, des objets tranchants et des pièces en mouvement.** Un cordon endommagé ou emmêlé accroît le risque de choc électrique.
- **Pour les travaux à l'extérieur, utiliser un cordon spécialement conçu à cet effet.** Utiliser un cordon conçu pour l'usage extérieur pour réduire les risques de choc électrique.
- **S'il est nécessaire d'utiliser l'outil électrique dans un endroit humide, employer un dispositif interrupteur de défaut à la terre (GFCI).** L'utilisation d'un GFCI réduit le risque de décharge électrique.
- **Utiliser ce produit seulement avec les piles et les chargeurs indiqués dans le supplément de raccordement pour chargeur/outils/piles/appareil n° 987000-432.**

SÉCURITÉ PERSONNELLE

- **Rester attentif, prêter attention au travail et faire preuve de bon sens lors de l'utilisation de tout outil électrique. Ne pas utiliser cet outil en état de fatigue ou sous l'influence de l'alcool, de drogues ou de médicaments.** Un moment d'inattention pendant l'utilisation d'un outil électrique peut entraîner des blessures graves.

- **Utiliser l'équipement de sécurité. Toujours porter une protection oculaire.** L'équipement de sécurité, tel qu'un masque filtrant, de chaussures de sécurité, d'un casque ou d'une protection auditive, utilisé dans des conditions appropriées réduira le risque de blessures.
- **Éviter les démarrages accidentels. S'assurer que le commutateur est en position d'arrêt avant de brancher l'outil.** Porter un outil avec le doigt sur son commutateur ou brancher un outil dont le commutateur est en position de marche peut causer un accident.
- **Retirer les clés de réglage avant de mettre l'outil en marche.** Une clé laissée sur une pièce rotative de l'outil peut causer des blessures.
- **Ne pas travailler hors de portée. Toujours se tenir bien campé et en équilibre.** Ceci permettra de mieux contrôler l'outil en cas de situation imprévue.
- **Porter une tenue appropriée. Ne porter ni vêtements amples, ni bijoux. Garder les cheveux and les vêtements à l'écart des pièces en mouvement.** Les vêtements amples, bijoux et cheveux longs peuvent se prendre dans les pièces en mouvement.
- **Si les outils sont équipés de dispositifs de dépoussiérage, s'assurer qu'ils sont connectés et correctement utilisés.** L'usage de ces dispositifs de dépoussiérage peut réduire les dangers présentés par la poussière.
- **Malgré votre expérience acquise par l'utilisation fréquente des outils, soyez toujours vigilant et respectez les principes de sécurité relatifs aux outils.** Il s'agit d'une fraction de seconde pour qu'un geste irréfléchi puisse causer de graves blessures.
- **Ne porter ni vêtements amples, ni bijoux. Attacher ou couvrir les cheveux longs.** Les vêtements amples, bijoux et cheveux longs peuvent se prendre dans les ouïes d'aération.
- **Ne pas utiliser l'outil sur une échelle ou un support instable.** Une bonne tenue et un bon équilibre permettent de mieux contrôler l'outil en cas de situation imprévue.

UTILISATION ET ENTRETIEN DES OUTILS ÉLECTRIQUES

- **Ne pas forcer l'outil. Utiliser l'outil approprié pour l'application.** Un outil approprié exécutera le travail mieux et de façon moins dangereuse s'il est utilisé dans les limites prévues.
- **Ne pas utiliser l'outil si le commutateur ne permet pas de le mettre en marche ou de l'arrêter.** Tout outil qui ne peut pas être contrôlé par son commutateur est dangereux et doit être réparé.
- **Débrancher l'outil et/ou retirer le bloc-piles avant d'effectuer des réglages, de changer d'accessoire ou de remiser l'outil.** Ces mesures de sécurité préventives réduisent les risques de démarrage accidentel de l'outil.
- **Ranger les outils motorisés hors de la portée des enfants et ne laisser personne n'étant pas familiarisé avec l'outil ou ces instructions utiliser l'outil.** Dans les mains de personnes n'ayant pas reçu des instructions adéquates, les outils sont dangereux.
- **Entretien des outils motorisés et accessoires. Vérifier qu'aucune pièce mobile n'est mal alignée ou bloquée, qu'aucune pièce n'est brisée et s'assurer qu'aucun autre problème ne risque d'affecter le bon fonctionnement de l'outil. En cas de dommages faire réparer l'outil avant de l'utiliser de nouveau.** Beaucoup d'accidents sont causés par des outils mal entretenus.

AVERTISSEMENTS DE SÉCURITÉ RELATIVES AUX OUTILS ÉLECTRIQUES

- **Garder les outils bien affûtés et propres.** Des outils correctement entretenus et dont les tranchants sont bien affûtés risquent moins de se bloquer et sont plus faciles à contrôler.
- **Utiliser l'outil, les accessoires et embouts, etc. conformément à ces instructions pour les applications pour lesquelles ils sont conçus, en tenant compte des conditions et du type de travail à exécuter.** L'usage d'un outil motorisé pour des applications pour lesquelles il n'est pas conçu peut être dangereux.
- **Gardez les poignées et les surfaces de prise sèches, propres et exemptes d'huile et de graisse.** Des poignées et des surfaces de prise glissantes empêchent la manipulation et le contrôle sécuritaires de l'outil dans des circonstances imprévues.

UTILISATION ET ENTRETIEN DE LA PILE

- **Ne recharger qu'avec l'appareil spécifié par le fabricant.** Un chargeur approprié pour un type de pile peut créer un risque d'incendie s'il est utilisé avec un autre type de pile.
- **Utiliser exclusivement le bloc-pile spécifiquement indiqué pour l'outil.** L'usage de tout autre bloc peut créer un risque de blessures et d'incendie.
- **Lorsque le bloc-piles n'est pas en usage, le garder à l'écart d'articles tels qu'attaches trombones, pièces de monnaie, clous, vis ou autres petits objets métalliques risquant d'établir le contact entre les deux bornes.** La mise en court-circuit des bornes de piles peut causer des étincelles, des brûlures ou un incendie.
- **En cas d'usage abusif, du liquide peut s'échapper des piles. Éviter tout contact avec ce liquide. En cas de contact**

accidentel, rincer immédiatement les parties atteintes avec de l'eau. En cas d'éclaboussure dans les yeux consulter un médecin. Le liquide s'échappant des piles peut causer des irritations ou des brûlures.

- **Ne pas utiliser un bloc-piles ou un outil endommagé ou modifié.** Les piles endommagées ou modifiées peuvent produire un comportement imprévisible pouvant provoquer un incendie, une explosion ou des blessures.
- **Ne pas exposer le bloc-piles ou l'outil près d'un incendie ou à une température extrême.** L'exposition à un incendie ou à une température supérieure à 130 °C (265 °F) représente un risque d'explosion.
- **Suivre toutes les instructions afférentes à la recharge et ne pas recharger le bloc-piles ou l'outil hors des températures spécifiées dans les instructions.** Une recharge incorrecte ou hors des températures spécifiées peut endommager la pile et augmenter les risques de feu.

DÉPANNAGE

- **Les réparations doivent être confiées à un technicien qualifié, utilisant exclusivement des pièces identiques à celles d'origine.** Ceci assurera le maintien de la sécurité de l'outil.
- **Ne réparez jamais de blocs-piles endommagés.** Seuls le fabricant et les fournisseurs de service autorisés doivent effectuer la réparation ou l'entretien des blocs-piles.

AVERTISSEMENTS DE SÉCURITÉ RELATIFS AU SCIE CIRCULAIRE

MÉTHODE DE COUPE

DANGER :

Garder les mains à l'écart de la zone de coupe et de la lame. Garder la deuxième main sur la poignée auxiliaire ou le boîtier du moteur. Lorsque les mains sont utilisées pour tenir la scie, elle ne risquent pas d'être coupées par la lame.

- **Ne pas passer les mains au-dessous de la pièce à couper.** La garde de lame n'offre aucune protection au-dessous de la pièce à couper.
- **Ajuster la profondeur de coupe en fonction de l'épaisseur de la pièce à travailler.** Sous la pièce à travailler, on devrait pouvoir distinguer moins d'une dent entière parmi celles de la lame.
- **Ne jamais tenir la pièce de travail dans vos mains ou sur votre jambe pendant que vous la coupez. Immobiliser la pièce à travailler sur une surface stable.** Il est essentiel de soutenir correctement la pièce à couper pour éviter les risques de coupure, de blocage de la lame et de perte du contrôle.
- **Tenir l'outil par ses surfaces de préhension isolées lors des opérations pendant lesquelles l'accessoire de coupe peut entrer en contact avec du câblage caché.** Le contact avec un fil sous tension « électrifie » les pièces métalliques exposées de l'outil, ce qui peut électrocuter l'utilisateur.

- **Pour la refente, toujours utiliser un guide longitudinal ou une règle.** Ceci accroît la précision de la coupe et réduit le risque de blocage de la lame.
- **Toujours utiliser des lames dont l'alésage central est de dimension et de forme adéquates (ruban à tranchant au diamant ou lame ronde).** Une lame incompatible avec la quincaillerie de montage de la scie tournerait en faux rond, causant la perte du contrôle.
- **Ne jamais utiliser de rondelles ou boulon de lame incorrects ou endommagés.** Les rondelles et boulon de lame fournis sont conçus spécialement pour assurer une efficacité et une sécurité maximum.

CAUSES DES EFFETS DE REBOND ET AUTRES AVERTISSEMENTS

- Le rebond est une réaction soudaine, causée par une lame coincée, bloquée ou mal alignée et projetant la scie hors de la pièce coupée vers le haut, en direction de l'opérateur;
 - Lorsque la lame est pincée ou bloquée par la fermeture du trait de coupe, elle se bloque et la force du moteur projette la scie en direction de l'opérateur;
 - Si la lame dévie dans le trait de coupe, les dents de l'arrière risquent de mordre la surface de la planche, causant la projection de la lame hors du bois, en direction de l'opérateur.
- Une mauvaise utilisation de la scie peut entraîner un rebond et/ou des méthodes de travail incorrectes et il peut être évité en prenant les précautions suivantes :

AVERTISSEMENTS DE SÉCURITÉ RELATIFS AU SCIE CIRCULAIRE

- **Tenir fermement la scie avec les deux mains et positionner les bras de manière à pouvoir résister aux rebonds. Se tenir d'un côté de lame, et non dans la trajectoire de celle-ci.** Le rebond peut causer un recul brutal de la scie, mais s'il prend les précautions nécessaires, l'utilisateur peut contrôler la force du rebond.
- **Si la lame se bloque ou si la coupe est interrompue pour une raison quelconque, relâcher la gâchette et maintenir la lame dans le trait de coupe jusqu'à ce qu'elle ait complètement cessé de tourner. Pour éviter un rebond, ne jamais essayer de retirer la scie de la pièce ou de la tirer en arrière pendant que la lame est en rotation.** Déterminer et éliminer la cause du blocage de la lame.
- **Avant de remettre la scie en marche en cours de coupe, centrer la lame dans le trait de scie et s'assurer que les dents ne mordent pas dans le bois.** Si la lame est bloquée, elle peut causer un rebond et l'éjection du trait de coupe lorsque la scie est remise en marche.
- **Soutenir les planches longues afin d'éviter les risques de pincement de la lame et de rebond.** Les planches de grande taille ont tendance à ployer sous leur propre poids. Des supports doivent être placés sous la planche, de chaque côté, près du trait de coupe et du bord de la planche.
- **Ne pas utiliser de lames émoussées ou endommagées.** Une lame émoussée ou incorrectement réglée produit un trait de scie étroit, causant le pincement de la lame et le rebond.
- **Les leviers de réglage de profondeur et d'angle de coupe doivent être fermement serrés et assujettis avant de commencer la coupe.** Si la lame se dérègle en cours de coupe, elle peut se bloquer et causer un rebond.
- **Soyez particulièrement prudent lors du sciage dans des murs existants ou dans d'autres endroits obscurs.** La lame peut heurter des objets ou matériaux causant un rebond.

FONCTION DE L'ÉCRAN PROTECTEUR INFÉRIEUR

- **Avant chaque utilisation, s'assurer que la garde inférieure se ferme correctement avant chaque utilisation. Ne pas utiliser la scie si la garde ne fonctionne pas librement ou ne se ferme pas instantanément. Ne jamais bloquer la garde inférieure en position ouverte.** En cas de chute accidentelle de la scie, la garde inférieure peut se déformer. Relever la garde inférieure avec la poignée de rétraction et vérifier qu'elle fonctionne librement et ne touche ni la lame, ni aucune autre pièce, quelle que soit l'angle ou la profondeur de coupe.
- **Vérifier le fonctionnement du ressort de la garde inférieure. Tout problème de fonctionnement de la garde et du ressort doit être corrigé avant d'utiliser la scie.** Des pièces endommagées, des résidus gommeux et les accumulations de débris peuvent ralentir le fonctionnement de la garde inférieure.
- **La garde doit être rétractée manuellement seulement pour des coupes spéciales comme des « coupes plongeantes » ou des « coupes combinées. » Relever le protège-lame avec la poignée de rétraction puis relâcher-le dès que la lame pénètre dans le matériau.** La garde inférieure opérera automatiquement pour toutes les autres coupes.
- **Toujours s'assurer que la garde inférieure couvre la lame avant de poser la scie sur le sol ou un établi.** Une lame non protégée tournant en roue libre causerait un mouvement en arrière de la scie, qui couperait tout ce qui se trouve sur son




passage. Tenir compte du temps nécessaire à l'arrêt complet de la lame une fois que la gâchette est relâchée.

RÈGLES SUPPLÉMENTAIRES DE SÉCURITÉ







- **Utiliser des serre-joint ou un autre système approprié pour maintenir fermement la pièce sur une surface stable.** Une pièce tenue à la main ou contre son corps est instable et peut causer une perte de contrôle.
- **Toujours porter une protection oculaire munie d'écrans latéraux certifiée conforme à la norme ANSI Z87.1 lors du montage des pièces, du fonctionnement de l'outil ou au moment de l'entretien.** Le respect de cette consigne réduira les risques de blessures graves.
- **Protection respiratoire. Porter un masque facial ou un masque anti-poussière si le travail produit de la poussière.** Le respect de cette consigne réduira les risques de blessures graves.
- **Protection auditive. Porter une protection auditive lors de l'utilisation prolongée.** Le respect de cette règle réduira les risques de blessures graves.
- **Les outils fonctionnant sur batteries n'ayant pas besoin d'être branchés sur une prise secteur, ils sont toujours en état de fonctionnement. Tenir compte des dangers possibles lorsque l'outil n'est pas en usage et lors du remplacement des batteries.** Le respect de cette règle réduira les risques d'incendie, de choc électrique et de blessures graves.
- **Ne pas placer les outils électriques sans fil ou leurs batteries à proximité de flammes ou d'une source de chaleur.** Ceci réduira les risques d'explosion et de blessures.
- **Ne pas écraser, faire tomber ou endommager le bloc-piles. Ne jamais utiliser un bloc-piles ou un chargeur qui est tombé, a été écrasé, a reçu un choc violent ou a été endommagé de quelque façon que ce soit.** Une pile endommagée risque d'exploser. Éliminer immédiatement toute pile endommagée, selon une méthode appropriée.
- **Les piles peuvent exploser en présence d'une source d'allumage comme la veilleuse d'allumage.** Pour réduire les risques de blessures graves, ne jamais utiliser un appareil sans fil, quel qu'il soit, en présence d'une flamme vive. En explosant, une batterie peut projeter des débris et des produits chimiques. En cas d'exposition, rincer immédiatement les parties atteintes avec de l'eau.
- **Ne pas recharger un outil fonctionnant sur piles dans un endroit humide ou mouillé. Ne pas utiliser, remiser ou charger le bloc-piles ou produits dans des emplacements où la température est inférieure 10 °C (50 °F) à ou supérieure à 38 °C (100 °F).** Ne pas ranger l'outil à l'extérieur ou dans un véhicule.
- **Si l'outil est utilisé de façon intensive ou sous des températures extrêmes, une fuite de la pile peut se produire. Laver immédiatement tout liquide en contact avec la peau avec de l'eau et du savon. En cas d'éclaboussure dans les yeux, les rincer à l'eau fraîche pendant au moins 10 minutes, puis consulter immédiatement un médecin.** Le respect de cette consigne réduira les risques de blessures graves.
- **Conservé ces instructions.** Les consulter fréquemment et les utiliser pour instruire les autres utilisateurs éventuels. Si cet produit est prêté, il doit être accompagné de ces instructions.

SYMBOLES

Les termes de mise en garde suivants et leur signification ont pour but d'expliquer le degré de risques associé à l'utilisation de ce produit.

SYMBOLE	SIGNAL	SIGNIFICATION
	DANGER :	Indique une situation dangereuse qui, si elle n'est pas évitée, aura pour conséquences des blessures graves ou mortelles.
	AVERTISSEMENT :	Indique une situation dangereuse qui, si elle n'est pas évitée, pourrait entraîner des blessures graves ou mortelles.
	ATTENTION :	Indique une situation dangereuse qui, si elle n'est pas évitée, pourrait entraîner des blessures légères ou de gravité modérée.
	AVIS :	(Sans symbole d'alerte de sécurité) Indique les informations jugées importantes sans toutefois représenter un risque de blessure (ex. : messages concernant les dommages matériels).

Certains des symboles ci-dessous peuvent être utilisés sur produit. Veiller à les étudier et à apprendre leur signification. Une interprétation correcte de ces symboles permettra d'utiliser produit plus efficacement et de réduire les risques.

SYMBOLE	NOM	DÉSIGNATION / EXPLICATION
	Symbole d'alerte de sécurité	Indique un risque de blessure potentiel.
	Lire le manuel d'utilisation	Pour réduire les risques de blessures, l'utilisateur doit lire et veiller à bien comprendre le manuel d'utilisation avant d'utiliser ce produit.
	Protection oculaire	Toujours porter une protection oculaire avec écrans latéraux certifiée conforme à la norme ANSI Z87.1.
	Avertissement concernant l'humidité	Ne pas exposer à la pluie ou l'humidité.
	Symbole Mains à l'écart	Le non-respect de cette mise en garde peut entraîner des blessures graves.
	Symbole de recyclage	Ce produit utilise les piles de lithium-ion (Li-ion). Les réglementations locales ou gouvernementales peuvent interdire de jeter les piles dans les ordures ménagères. Consulter les autorités locales compétentes pour les options de recyclage et/ou l'élimination.
V	Volts	Tension
min	Minutes	Temps
≡	Courant continu	Type ou caractéristique du courant
n_0	Vitesse à vide	Vitesse de rotation à vide
.../min	Par minute	Tours, coups, vitesse périphérique, orbites, etc., par minute

CARACTÉRISTIQUES

FICHE TECHNIQUE

Diamètre de la lame..... 165,1 mm (6-1/2 po)
Axe de lame..... 16 mm (5/8 po)
Profondeur de coupe à 0 ° 57,2 mm (2-1/4 po)

Profondeur de coupe à 45 ° 39,7 mm (1-9/16 po)
Profondeur de coupe à 50 ° 35 mm (1-3/8 po)
Vitesse à vide (RPM)..... 4900/min

ASSEMBLAGE

DÉBALLAGE

Ce produit doit être assemblé.

- Avec précaution, sortir l'outil et les accessoires de la boîte. S'assurer que toutes les pièces figurant sur la liste de contrôle sont incluses.

AVERTISSEMENT :

Ne pas utiliser le produit si, en le déballant, vous constatez que des éléments figurant dans la liste de contrôle sont déjà assemblés. Certaines pièces figurant sur cette liste n'ont pas été assemblées par le fabricant et exigent une installation. Le fait d'utiliser un produit qui a été assemblé de façon inadéquate peut entraîner des blessures.

- Si des pièces sont manquantes ou endommagées, appeler le 1-800-525-2579.

AVERTISSEMENT :

Si des pièces manquent ou sont endommagées, ne pas utiliser cet outil avant qu'elles aient été remplacées. Le fait d'utiliser ce produit même s'il contient des pièces endommagées ou s'il lui manque des pièces peut entraîner des blessures graves.

AVERTISSEMENT :

Ne pas essayer de modifier cet outil ou de créer des accessoires non recommandés pour l'outil. De telles altérations ou modifications sont considérées comme un usage abusif et peuvent créer des conditions dangereuses pouvant entraîner des blessures graves.

INSTALLATION DE LA LAME

Voir la figure 1, page 13.

AVERTISSEMENT :

La taille maximum de lame pouvant être utilisée sur cette scie est de 184 mm (6-1/2 po). Ne jamais utiliser une lame trop épaisse pour permettre à la rondelle extérieure de la lame de s'engager sur les méplats de la broche. Des lames de plus grand diamètre toucheraient la garde et des lames trop épaisses ne pourraient pas être maintenues sur la broche par le boulon. Ces deux situations peuvent causer un accident grave.

- Retirer le bloc-pile de la scie.
- Retirer la clé de lame (clé hexagonale de 5 mm) du compartiment de rangement.
- Appuyer sur le bouton de verrouillage de la broche retirer le boulon de lame et la rondelle extérieure.

NOTE : Tourner le boulon de lame vers la droite pour le retirer.

AVIS :

Pour éviter des dommages à la broche et à son verrouillage, toujours laisser le moteur s'arrêter complètement avant d'engager le verrouillage.

NOTE : Ne pas utiliser la scie circulaire avec le verrouillage de broche engagé.

- Appliquer une mince couche d'huile sur la surface de contact des rondelles intérieure et extérieure avec la lame.

AVERTISSEMENT :

Si la rondelle de lame intérieure a été retirée, la remettre en place avant d'installer la lame sur la broche. L'absence de cette pièce pourrait causer un accident, car la lame ne serait pas correctement serrée.

- Relever la garde de lame inférieure.
- S'assurer que la rondelle de la lame intérieure sont bien en place sur l'axe d'entraînement avant d'installer la nouvelle lame. Engager la lame dans la garde inférieure et sur la broche.
NOTE : Les dents doivent être orientées vers le haut à l'avant de la scie.
- Remettre la rondelle de lame extérieure en place.
- Appuyer sur le bouton de verrouillage de la broche et réinstaller le boulon de lame. Serrer fermement le bouton en le tournant vers la gauche.
- Retourner la clé de lame de son compartiment.

RETRAIT DE LA LAME

Voir la figure 2, page 13.

- Retirer le bloc-pile de la scie.
- Retirer la clé de lame de son compartiment.
- Positionner la scie comme illustré, appuyer sur le bouton de verrouillage de la broche retirer le boulon de lame en le tournant vers la droite.
- Retirer la rondelle extérieure de la lame.
- Relever la garde de lame inférieure.
- Retirer la lame.

UTILISATION

DANGER :

Garder les mains à l'écart de la zone de coupe et de la lame. Garder la deuxième main sur la poignée auxiliaire ou le boîtier du moteur. Lorsque les mains sont utilisées pour tenir la scie, elle ne risquent pas d'être coupées par la lame.

AVERTISSEMENT :

Ne pas laisser la familiarité avec l'outil faire oublier la prudence. Ne pas oublier qu'une fraction de seconde d'inattention peut entraîner des blessures graves.

AVERTISSEMENT :

Toujours retirer la bloc-pile de l'outil au moment d'assembler des pièces, d'effectuer des réglages et de procéder au nettoyage, ou lorsque l'outil n'est pas utilisé. Si cette précaution n'est pas prise, des objets peuvent être projetés dans les yeux et causer des lésions graves.

AVERTISSEMENT :

Toujours porter une protection oculaire certifiée conforme à la norme ANSI Z87.1 ainsi. Si cette précaution n'est pas prise, des objets peuvent être projetés dans les yeux et causer d'autres blessures graves.

AVERTISSEMENT :

Ne pas utiliser d'produits ou accessoires non recommandés par le fabricant pour cet outil. L'utilisation de pièces et accessoires non recommandés pouvant entraîner des blessures graves.

APPLICATIONS

Cet outil peut être utilisé pour les applications ci-dessous :

- Coupe de tous types de produits du bois (planches, contre-plaqué, lambrissage)
- Coupes transversales et refente de produits du bois
- Coupes en biseau de produits du bois
- Évidements de produits du bois

AVERTISSEMENT :

Ne jamais utiliser aucune sorte de meules abrasives avec cette scie. L'utilisation de lames autres que pour le bois peut causer des dommages à la propriété ou des blessures graves.

INSTALLATION/RETRAIT DU BLOC-PILE

Voir la figure 3, page 14.

- Insérer la pile dans l'outil comme illustré.

- S'assurer que ses deux loquets latéraux s'engagent correctement et vérifier que le bloc est solidement assujéti avant d'utiliser l'outil.

- Relâcher les loquets pour retirer le bloc-pile.

Pour prendre connaissance des consignes de chargement, consulter le manuel d'utilisation des piles et des chargeurs.

AVERTISSEMENT :

Les outils à piles sont toujours en état de fonctionnement. Il est donc nécessaire de toujours verrouiller la gâchette lorsque l'outil n'est pas en usage et pendant son transport.

INSTALLATION DE L'ACCESSOIRE D'ASPIRATION

Voir la figure 4, page 14.

L'accessoire d'aspiration fourni avec la scie peut être installé pour enlever et éliminer facilement la poussière. Il s'adapte aux tuyau d'aspiration de 31,75 mm (1-1/4 po) ou 47,63 mm (1-7/8 po).

NOTE : Toujours connecter l'accessoire d'aspiration à un tuyau d'aspiration standard. Pour fixer l'accessoire d'aspiration :

- Retirer le bloc-piles.
- Orientez l'adaptateur pour qu'il s'insère dans l'ouverture de la goulotte à poussière du protège-lame supérieur
- Fixez l'adaptateur à l'aide de la vis fournie.
- Attacher le tuyau d'aspiration à l'accessoire d'aspiration.

NOTE : Un tuyau d'aspiration de 31,75 mm (1-1/4 po) s'ajustera dans la partie intérieure de l'accessoire d'aspiration. Un tuyau d'aspiration de 47,63 mm (1-7/8 po) s'ajustera sur la partie extérieure de l'accessoire d'aspiration.

REBOND

Voir les figures 5 à 8, page 14.

On appelle rebond la projection brusque de la scie en direction de l'opérateur, causée par un blocage soudain de la lame. Le blocage de la lame est causée par son pincement dans le bois.

AVERTISSEMENT :

Si la lame se bloque ou la scie cale, relâcher immédiatement la gâchette. Un rebond peut causer la perte de contrôle de la scie. La perte du contrôle peut entraîner des blessures graves.

Pour réduire les risques de rebond, éviter les actions dangereuses, telles que celles décrites ci-dessous :

- Réglage incorrect de la profondeur de coupe.
- Sciage de noeuds ou de clous dans le bois.
- Déviation de la lame en cours de coupe.
- Coupe avec une lame émoussée, encrassée ou mal réglée.
- Support incorrect de la pièce à couper.
- Coupe forcée.
- Coupe de planches humides ou voilées.
- Utilisation incorrecte ou abusive de l'outil.

UTILISATION

Pour réduire les risques de rebond, prendre les précautions suivantes :

- Maintenir un réglage de profondeur de coupe correct. Sous la pièce à travailler, on devrait pouvoir distinguer moins d'une dent entière parmi celles de la lame.
- S'assurer de l'absence de nœuds ou de clous dans le bois avant de scier. Ne jamais scier de nœuds ou de clous.
- Effectuer des coupes droites. Toujours utiliser un guide pour le sciage en long. Ceci évite la déviation de la lame.
- Utiliser des lames propres, bien affûtées et correctement réglées. Ne jamais couper avec une lame émoussée.
- Soutenir et bloquer la pièce avant de commencer la coupe.
- Appliquer une pression constante et régulière sur la scie. Ne jamais forcer la scie.
- Ne pas couper de planches humides ou voilées.
- Toujours laisser la lame parvenir à sa vitesse maximum avant de commencer la coupe.
- Tenir la scie fermement à deux mains et se tenir bien campé afin de pouvoir la maîtriser en cas de rebond.

AVERTISSEMENT :

Lors de l'utilisation de la scie, toujours être attentif en en contrôle de la scie. Ne pas retirer la scie de la pièce avant arrêt complet de la lame.

LAMES DE SCIE

La meilleure des lames ne coupera efficacement que si elle est propre, bien affûtée et correctement installée. L'usage d'une lame émoussée impose une forte charge sur la scie et accroît le risque de rebond. Garder des lames de rechange à portée de la main afin de toujours disposer d'un outil affûté.

Les résidus gommeux et la résine séchés sur la lame causent également un ralentissement de la scie. Retirer la lame de la scie et éliminer ces résidus avec un produit spécialement conçu à cet effet, de l'eau chaude ou du kérosène. **NE PAS UTILISER DE L'ESSENCE.**

SYSTÈME DE GARDE DE LAME

Voir la figure 9, page 14.

La garde de lame inférieure de la scie circulaire est conçue pour assurer la protection et la sécurité de l'utilisateur. Ne pas la modifier, pour quelque raison que ce soit. Si elle est endommagée, ne plus utiliser la scie jusqu'à ce qu'elle ait été réparée ou remplacée. Toujours laisser la garde en position de fonctionnement lors de l'utilisation de la scie.

DANGER :

Lors de la coupe traversante, la garde inférieure ne protège pas la partie de la lame se trouvant au-dessous de la planche. De ce fait, il est impératif de garder les mains à l'écart de la zone de coupe et de la lame. Le contact de toute partie du corps avec la lame peut causer des blessures graves.

AVERTISSEMENT :

Pour éviter des blessures graves, ne jamais utiliser la scie si la garde ne fonctionne pas correctement. Vérifier le fonctionnement de la lame avant chaque utilisation. La garde fonctionne correctement lorsqu'elle pivote librement et retourne immédiatement en position fermée. En cas de chute de la scie, examiner la garde de lame inférieure et le butoir, ainsi que les réglages de profondeur de coupe avant de l'utiliser de nouveau.

AVERTISSEMENT :

Ne jamais bloquer la garde en position relevée. La lame exposée pourrait infliger des blessures graves.

Si, quelle que soient les circonstances, la garde ne se referme pas instantanément, retirer le bloc de piles de la scie. Ouvrir et fermer complètement et rapidement la garde plusieurs fois. Normalement cela rétablit son bon fonctionnement. Si le problème n'est pas corrigé et si la garde se referme lentement, ne pas utiliser la scie. La confier à un centre de réparations agréé.

BOUTON DE VERROUILLAGE

Voir la figure 10, page 14.

Cette scie est équipée d'un bouton de verrouillage pour réduire le risque de démarrage accidentel. Ce bouton se trouve sur la poignée, au-dessus de la gâchette. Le bouton de verrouillage doit être verrouillé avant d'appuyer sur la gâchette. Le bouton se désengage automatiquement lorsque la gâchette est relâchée.

NOTE : Le bouton de verrouillage peut être appuyé par la droite ou la gauche.

MISE EN MARCHÉ ET ARRÊT DE LA SCIE

Voir la figure 10, page 14.

Pour mettre la scie en marche :

- Appuyer sur le bouton de verrouillage.
- Appuyer sur la gâchette.

Toujours laisser la lame parvenir à sa vitesse maximum avant de l'engager dans le bois.

AVERTISSEMENT :

La mise en contact avec le bois d'une lame ne tournant pas à pleine vitesse peut causer un rebond risquant d'entraîner des blessures graves.

Pour arrêter la scie, relâcher la gâchette.

Une fois la gâchette relâchée laisser la lame parvenir à l'arrêt complet. **Ne pas retirer la scie de la pièce avant arrêt complet de la lame.**

UTILISATION

RÉGLAGE DE LA PROFONDEUR DE COUPE

Voir la figure 11, page 15.

Toujours maintenir un réglage de profondeur de coupe correct. Sous la pièce à travailler, on devrait pouvoir distinguer moins d'une dent entière parmi celles de la lame. Un dépassement plus important augmente le risque de rebond et nuit à la netteté de la coupe.

- Retirer le bloc-pile de la scie.
- Tourner le levier de verrouillage de profondeur vers l'extérieur de la base.
- Déterminer la profondeur de coupe voulue.
- Déposer la scie sur le boîtier du moteur plat en orientant le côté de la lame vers l'utilisateur, puis déplacer la base de sorte à aligner le dessous de la base sur la ligne de profondeur de coupe souhaitée du protégé-lame inférieur.
- Tourner le levier de verrouillage de profondeur vers la base pour le verrouiller en place.

UTILISATION DE LA SCIE

Voir les figures 12 et 13, page 15.

Il est essentiel de comprendre la méthode correcte d'utilisation de la scie. Voir les illustrations de cette section montrant les façons correctes et incorrectes d'utiliser la scie.

DANGER :

Lorsque la scie est retirée de la planche, la partie inférieure de la lame reste exposée jusqu'à ce que la garde inférieure se ferme. S'assurer que la garde inférieure est fermée avant de poser la scie.

AVERTISSEMENT :

Toujours garder le contrôle de la scie en tenant la scie avec les deux mains pour faciliter le travail et assurer la sécurité. Une perte de contrôle peut entraîner des blessures graves.

AVERTISSEMENT :

Utiliser des serre-joint ou un autre système approprié pour maintenir fermement la pièce sur une surface stable. Soutenir une pièce avec une main ou contre le corps ne procure pas de stabilité et peut provoquer une perte de contrôle et occasionner des blessures graves.

Pour obtenir une qualité de coupe maximum :

- Tenir la scie fermement, à deux mains.
- Éviter de placer la main sur la pièce pendant la coupe.

- Soutenir la planche de manière à ce que le trait de scie se trouve toujours sur le côté du corps.
- Soutenir la pièce à couper près du trait de scie.
- Assujettir la pièce solidement, afin qu'elle ne risque pas de bouger pendant la coupe.
- Toujours placer la scie sur la partie soutenue, pas sur la « chute ».
- Placer la pièce avec la « bonne » face vers le bas.
- Tracer la ligne de coupe désirée avant de commencer le travail.

COUPE TRANSVERSALE ET REFENTE

Voir les figures 14 et 15, page 15.

Pour effectuer une coupe transversale ou une refente, aligner la ligne de coupe sur l'encoche extérieure du guide de lame sur la base de la scie.

Différentes lames étant d'épaisseurs différentes, toujours effectuer un essai de coupe sur une chute le long d'un guide de coupe, afin de déterminer le déport éventuel du guide nécessaire pour obtenir une coupe précise.

NOTE : La distance séparant la ligne de coupe du guide est la distance dont le guide doit être déplacé.

- Immobiliser la pièce à travailler.
- Assujettir une règle sur la pièce à couper, au moyen de serre-joints.
- Enfoncer le bouton de verrouillage et serrer l'interrupteur à gâchette pour démarrer la scie. Toujours laisser la lame atteindre sa pleine vitesse puis scier le long du bord droit pour réaliser une coupe longitudinale droite.

NOTE : Ne pas coincer la lame dans le trait de scie.

UTILISANT UN GUIDE DE CHANT EN OPTION

Voir la figure 16, page 15.

Utiliser un guide de chant pour effectuer les coupes de grande longueur ou de grande largeur. Le guide parallèle est vendu séparément; voir la section Accessoires qui se trouve plus loin dans ce manuel.

- Retirer le bloc-pile.
- Insérer le guide de chant dans les fentes de la base de la scie.
- Régler le guide de chant sur la largeur requise.
- Serrer fermement la vis papillon.

Lors de l'utilisation d'un guide de chant, positionner la face du guide de chant fermement contre le bord de la pièce. Ceci permet d'obtenir une coupe droite sans pincer la lame. Le bord de guidage de la pièce doit être droit pour que la coupe soit droite. Veiller à éviter que la lame ne se coince dans la coupe.

UTILISATION

COUPE EN BISEAU

Voir les figures 17 à 19, page 15 et 16.

L'angle de coupe de la scie peut être réglé comme désiré, entre 0 et 50 °.

NOTE : Lors des coupes à 50°, la lame doit être réglée à la profondeur de coupe maximum.

Différentes lames étant d'épaisseurs différentes, et des angles différents nécessitant des réglages différents, toujours effectuer un essai de coupe sur une chute le long d'un guide de coupe, afin de déterminer le déport éventuel du guide nécessaire pour obtenir une coupe précise.

Tenir la scie fermement, à deux mains, lors de l'exécution de coupes en biseau.

Poser le bord avant de la base sur la pièce à couper. Appuyer sur le bouton de déverrouillage puis appuyer sur la gâchette pour mettre la scie en fonctionnement. Toujours laisser la lame parvenir à sa vitesse maximum avant de l'engager dans le bois.

AVERTISSEMENT :

La mise en contact avec le bois d'une lame ne tournant pas à pleine vitesse peut causer un rebond risquant d'entraîner des blessures graves.

Une fois la coupe terminée, relâcher la gâchette et laisser la lame parvenir à l'arrêt complet. Une fois la lame arrêtée, retirer la scie de la pièce.

RÉGLAGE DE COUPE EN BISEAU

Voir les figures 17 à 19, page 15 et 16.

- Retirer le bloc-pile.
- Tourner le levier de verrouillage de biseau dans le sens antihoraire jusqu'à ce que le boîtier du moteur bouge librement.
- Relever le côté boîtier du moteur de façon à obtenir l'angle désiré, indiqué par l'échelle graduée de la garde (0 - 50 °).
- Tourner le levier de verrouillage de biseau pour verrouiller le boîtier du moteur solidement en place.

AVERTISSEMENT :

Ne pas essayer de pratiquer une coupe en biseau sans avoir vérifié que le levier de verrouillage de biseau est solidement verrouillé, sous peine de blessures graves.

ÉVIDEMENTS

Voir la figure 20, page 16.

AVERTISSEMENT :

Toujours mettre le réglage de biseau sur zéro avant de pratiquer un évidement. La découpe d'un évidement avec un quelconque autre réglage peut causer la perte de contrôle de la scie et entraîner des blessures graves.

- Régler l'angle de biseau sur zéro.
- Régler la lame sur la profondeur de coupe correcte.
- Relever la garde de lame inférieure au moyen de la poignée de la garde de lame inférieure.

NOTE : Toujours utiliser la poignée pour relever la garde de lame inférieure, pour éviter des blessures.

- Tenir le protège-lame inférieur par la poignée.

AVERTISSEMENT :

Ne jamais s'étendre les doigts pendant que tenant la poignée de garde de lame plus basse. Étendre vos doigts peuvent avoir pour résultat le contact avec la lame entraîner des blessures graves.

- Placer le devant de la base contre la pièce à couper et relever l'arrière de la scie pour empêcher que la lame ne touche le bois.

DANGER :

Toujours s'assurer que les doigts sont éloignés de la lame au moment d'appuyer sur la gâchette. Le contact avec la lame peut entraîner des blessures graves.

- Appuyer sur le bouton de déverrouillage puis appuyer sur la gâchette pour mettre la scie en fonctionnement. Toujours laisser la lame parvenir à sa vitesse maximum puis l'abaisser doucement dans la pièce jusqu'à ce que la base repose à plat sur la pièce.
- Engager la scie dans la pièce et effectuer la coupe.

AVERTISSEMENT :

Toujours couper vers l'avant lors des évidements. La coupe en arrière pourrait causer la projection de la scie en arrière, en direction de l'opérateur.

- Relâcher la gâchette et laisser la lame parvenir à l'arrêt complet.
- Retirer la scie de la pièce.
- Finir les coins avec une scie à main ou une scie sauteuse.

RÉGLAGES

RÉGLAGE DE LA BUTÉE FIXE DE BISEAU À 0°

Voir la figure 21, page 17.

La scie est dotée d'une butée de biseau positive de 0° qui a été réglée par le fabricant pour que l'angle de la lame soit à 0° lors des coupes à 0°. L'outil peut toutefois être désaligné pendant le transport.

Vérification de la butée à 0° :

- Retirer le bloc-pile.
- Poser la scie à l'envers sur un établi.
- Écarter la garde de lame inférieure pour exposer la lame.
- Vérifier que la lame est à angle droit par rapport à la base de la scie au moyen d'une équerre combinée.

Réglage de la butée de biseau à 0° :

- Retirer le bloc de piles de la scie.
- Tourner le levier de verrouillage de biseau dans le sens antihoraire pour débloquer le mécanisme.
- Insérer le clé hexagonale de 2 mm (non inclus) dans le orifice de las vis sur la base de la scie.
- Tourner la vis de réglage et ajuster la lame à la rendre perpendiculaire à la base.
- Bloquer fermement de levier de verrouillage de biseau.



AVERTISSEMENT :

Ne pas essayer de pratiquer une coupe en biseau sans avoir vérifié que le levier de verrouillage de biseau est solidement verrouillé, car cela présenterait des risques de blessures graves.

ENTRETIEN

AVERTISSEMENT :

Utiliser exclusivement des pièces d'origine pour les réparations. L'usage de toute autre pièce pourrait créer une situation dangereuse ou endommager l'outil.

AVERTISSEMENT :

Toujours porter une protection oculaire avec écrans latéraux certifiée conforme à la norme ANSI Z87.1 ainsi qu'un protection auditive. Le respect de cette consigne réduira les risques de blessures graves.

AVERTISSEMENT :

Pour empêcher un démarrage accidentel pouvant entraîner des blessures graves, toujours retirer le bloc de piles de l'outil avant tout nettoyage ou entretien.

ENTRETIEN GÉNÉRAL

Éviter d'utiliser des solvants pour le nettoyage des pièces en plastique. La plupart des matières plastiques peuvent être endommagées par divers types de solvants du commerce. Utiliser un chiffon propre pour éliminer la saleté, la poussière, l'huile, la graisse, etc.

AVERTISSEMENT :

Ne jamais laisser de liquides tels que le fluide de freins, l'essence, les produits à sabot de pétrole, les huiles pénétrantes, etc., entrer en contact avec les pièces en plastique. Les produits chimiques peuvent endommager, affaiblir ou détruire le plastique, ce qui peut entraîner des blessures graves.

ACCESSOIRES

Pour obtenir ces accessoires, s'adresser au revendeur après duquel vous avez acheté ce produit.

■ Guide de chant..... 690119004

AVERTISSEMENT :

Les outils et accessoires disponibles actuellement pour cet outil sont listés ci-dessus. Ne pas utiliser d'outils ou accessoires non recommandés pour cet outil. L'utilisation de pièces et accessoires non recommandés peut entraîner des blessures graves.

**ILLUSTRATIONS COMMENÇANT SUR 13 DE PAGE APRÈS
LA SECTION ESPAÑOL.**

ADVERTENCIAS DE SEGURIDAD PARA HERRAMIENTAS ELÉCTRICAS

ADVERTENCIA

Lea todas las advertencias, instrucciones, ilustraciones y especificaciones proporcionadas con esta herramienta eléctrica. No seguir las instrucciones indicadas a continuación puede provocar descargas eléctricas, incendios o lesiones graves.

Guarde todas las advertencias e instrucciones para consultarlas en el futuro. El término “herramienta eléctrica” en las advertencias se refiere a las herramientas eléctricas que funcionan con corriente (con cordón) o las que funcionan con batería (inalámbricas).

ÁREA DE TRABAJO

- **Mantenga limpia y bien iluminada el área de trabajo.** Un área de trabajo mal despejada o mal iluminada propicia accidentes.
- **No utilice herramientas motorizadas en atmósferas explosivas, como las existentes alrededor de líquidos, gases y polvos inflamables.** Las herramientas eléctricas generan chispas que pueden encender el polvo y los vapores inflamables.
- **Mantenga alejados a los niños y circunstantes al maniobrar una herramienta eléctrica.** Toda distracción puede causar la pérdida del control de la herramienta.

SEGURIDAD ELÉCTRICA

- **Las clavijas de las herramientas eléctricas deben corresponder a las tomas de corriente donde se conectan. Nunca modifique la clavija de ninguna forma. No utilice ninguna clavija adaptadora con herramientas eléctricas dotadas de contacto a tierra.** Conectando las clavijas originales en las tomas de corriente donde corresponden se disminuye el riesgo de una descarga eléctrica.
- **Evite el contacto del cuerpo con las superficies de objetos conectados a tierra, como las tuberías, radiadores, estufas y refrigeradores.** Existe un mayor riesgo de descargas eléctricas si el cuerpo está haciendo tierra.
- **No exponga las herramientas eléctricas a la lluvia ni a condiciones de humedad.** La introducción de agua en una herramienta eléctrica aumenta el riesgo de descargas eléctricas.
- **No maltrate el cordón eléctrico. Nunca utilice el cordón para trasladar, desconectar o tirar de la herramienta eléctrica. Mantenga el cordón lejos del calor, aceite, bordes afilados y piezas móviles.** Los cordones eléctricos dañados o enredados aumentan el riesgo de descargas eléctricas.
- **Al utilizar una herramienta eléctrica a la intemperie, use un cordón de extensión apropiado para el exterior.** Usando un cordón adecuado para el exterior se disminuye el riesgo de descargas eléctricas.
- **Si debe operar una herramienta en lugares húmedos, use un suministro protegido por un interruptor de circuito con pérdida a tierra (GFCI).** El uso de un GFCI reduce el riesgo de descargas eléctricas.
- **Usar este producto únicamente con la baterías y el cargador indicados en el folleto de la herramienta/aparato/paquete de baterías/cargador complementario 987000-432.**

SEGURIDAD PERSONAL

- **Permanezca alerta, preste atención a lo que esté haciendo y aplique el sentido común al utilizar herramientas eléctricas. No utilice la herramienta eléctrica si está cansado o se encuentra bajo los efectos de alguna droga, alcohol o medicamento.** Un momento de inatención al utilizar una herramienta eléctrica puede causar lesiones corporales serias.

- **Utilice protección el equipo otros. Siempre póngase protección ocular.** El uso de equipo protector como mascarilla para el polvo, calzado de seguridad, casco y protección para los oídos en las circunstancias donde corresponda disminuye el riesgo de lesiones.
- **Evite que la herramienta se active accidentalmente. Asegúrese de que el interruptor esté en la posición de apagado antes de conectar la herramienta a un suministro de corriente o de colocar un paquete de baterías.** Transportar herramientas eléctricas con el dedo en el interruptor o enchufar herramientas eléctricas que tienen el interruptor encendido puede ocasionar accidentes.
- **Retire toda llave o herramienta de ajuste antes de encender la herramienta eléctrica.** Toda llave o herramienta de ajuste dejada en una pieza giratoria de la herramienta eléctrica puede causar lesiones.
- **No estire el cuerpo para alcanzar mayor distancia. Mantenga una postura firme y buen equilibrio en todo momento.** De esta manera se logra un mejor control de la herramienta eléctrica en situaciones inesperadas.
- **Vístase adecuadamente. No vista ropas holgadas ni joyas. Mantenga el cabello y la ropa alejados de las piezas móviles.** Las ropas holgadas y las joyas, así como el cabello largo, pueden engancharse en las piezas móviles.
- **Si se suministran dispositivos para conectar mangueras de extracción y captación de polvo, asegúrese de que éstas estén bien conectadas y se usen correctamente.** El uso de la captación de polvo puede reducir los peligros relacionados con éste.
- **No permita que la familiaridad obtenida por el uso frecuente de las herramientas lo vuelva complaciente e ignore los principios de seguridad de las herramientas.** Una acción descuidada puede causar lesiones graves en una fracción de segundo.
- **No vista ropas holgadas ni joyas. Recójase el cabello si está largo.** Las ropas holgadas y las joyas, así como el cabello largo, pueden resultar atraídas hacia el interior de las aberturas de ventilación.
- **No utilice la unidad al estar en una escalera o en un soporte inestable.** Una postura estable sobre una superficie sólida permite un mejor control de la herramienta eléctrica en situaciones inesperadas.

EMPLEO Y CUIDADO DE LA HERRAMIENTA ELÉCTRICA

- **No fuerce la herramienta eléctrica. Utilice la herramienta eléctrica adecuada para cada trabajo.** La herramienta eléctrica adecuada efectúa mejor y de manera más segura el trabajo, si además se maneja a la velocidad para la que está diseñada.
- **No utilice la herramienta si el interruptor no enciende o no apaga.** Cualquier herramienta eléctrica que no pueda controlarse con el interruptor es peligrosa y debe repararse.
- **Desconecte el enchufe de la fuente de alimentación o retire el paquete de baterías, si es desmontable, de la herramienta eléctrica antes de realizar ajustes, cambiar accesorios o almacenar herramientas eléctricas.** Tales medidas preventivas de seguridad reducen el riesgo de poner en marcha accidentalmente la herramienta.
- **Guarde las herramientas eléctricas desocupadas fuera del alcance de los niños y no permita que las utilicen personas no familiarizadas con las mismas o con estas instrucciones.** Las herramientas eléctricas son peligrosas en manos de personas no capacitadas en el uso de las mismas.

ADVERTENCIAS DE SEGURIDAD PARA HERRAMIENTAS ELÉCTRICAS

- **Mantenimiento de las herramientas eléctricas y accesorios.** Revise para ver si hay desalineación o atoramiento de piezas móviles, ruptura de piezas o toda otra condición que pueda afectar el funcionamiento de la herramienta eléctrica. Si está dañada la herramienta eléctrica, permita que la reparen antes de usarla. Numerosos accidentes son causados por herramientas eléctricas mal cuidadas.
- **Mantenga las herramientas de corte afiladas y limpias.** Las herramientas de corte bien cuidadas y con bordes bien afilados, tienen menos probabilidad de atascarse en la pieza de trabajo y son más fáciles de controlar.
- **Use la herramienta eléctrica, los accesorios, las brocas, etc. según estas instrucciones, teniendo en cuenta las condiciones de trabajo y la tarea que se va a realizar.** Si se utiliza la herramienta eléctrica para operaciones diferentes de las indicadas podría originar una situación peligrosa.
- **Mantenga los mangos y superficies de agarre limpias y libres de aceite y grasa.** Los mangos y superficies de agarre resbalosas no permiten la manipulación y control seguro de la herramienta en situaciones inesperadas.

EMPLEO Y CUIDADO DE LA HERRAMIENTA DE BATERÍAS

- **Sólo cargue el paquete de baterías con el cargador especificado por el fabricante.** Un cargador adecuado para un tipo paquete de baterías puede significar un riesgo de incendio si se emplea con un paquete de baterías diferente.
- **Utilice las herramientas eléctricas sólo con los paquetes de baterías específicamente indicados.** El empleo de paquetes de baterías diferentes puede presentar un riesgo de incendio.
- **Cuando no esté utilizándose el paquete de baterías, manténgalo lejos de otros objetos metálicos, como clips,**

monedas, llaves, clavos, tornillos o otros objetos metálicos, pequeños que puedan establecer conexión entre ambas terminales. Establecer una conexión directa entre las dos terminales de las baterías puede causar quemaduras o incendios.

- **Si se maltratan las baterías, puede derramarse líquido de las mismas; evite todo contacto con éste. En caso de contacto, lávese con agua. Si el líquido llega a tocar los ojos, además busque atención médica.** El líquido de las baterías puede causar irritación y quemaduras.
- **No utilice un paquete de baterías o una herramienta que esté dañado o modificado.** Las baterías dañadas o modificadas pueden tener un funcionamiento impredecible que provoque incendios, explosiones o riesgo de lesiones.
- **No exponga el paquete de baterías o una herramienta al fuego o a temperaturas excesivas.** La exposición al fuego o a temperatura sobre los 130 °C (265 °F) puede provocar explosiones.
- **Siga todas las instrucciones de carga y no cargue el paquete de baterías ni la herramienta fuera del rango de temperaturas especificado en las instrucciones.** Si realiza la carga en forma incorrecta o fuera de las temperaturas del rango especificado puede dañar la batería y aumentar el riesgo de incendios.

SERVICIO

- **Permita que un técnico de reparación calificado preste servicio a la herramienta eléctrica, y sólo con piezas de repuesto idénticas.** De esta manera se mantiene la seguridad de la herramienta eléctrica.
- **Nunca repare paquetes de baterías dañados.** La reparación de paquetes de baterías solo puede ser realizada por el fabricante o proveedores de servicio autorizados.

ADVERTENCIAS DE SEGURIDAD SIERRA CIRCULAR

PROCEDIMIENTOS DE CORTE

PELIGRO:

Mantenga las manos alejadas del área de corte y de la hoja. Mantenga la otra mano en el mango auxiliaire o en el alojamiento del motor. Si ambas manos están sujetando la sierra, la hoja de corte no puede lesionarlas.

- **No trate de alcanzar nada bajo la pieza de trabajo.** La protección no puede proteger al operador de la hoja bajo la pieza de trabajo.
- **Ajuste la profundidad de corte al espesor de la pieza de trabajo.** Por debajo de la pieza de trabajo, debe verse menos de un diente completo de la hoja.
- **Nunca sostenga la pieza de trabajo con las manos o a lo largo de la pierna cuando corte. Asegure la pieza de trabajo en una plataforma estable.** Es importante apoyar correctamente la pieza para reducir al mínimo la exposición del cuerpo, el atoramiento de la hoja y la pérdida de control.
- **Sostenga la herramienta eléctrica desde las superficies de empuñadura aisladas cuando ejecute una operación en la que la herramienta de corte pudiera entrar en contacto con cables ocultos.** El contacto con un cable "vivo" también hará que las piezas metálicas expuestas de la herramienta eléctrica "tomen corriente" y el operador sufrirá una descarga eléctrica.

- **Al cortar al hilo, siempre utilice una guía de corte al hilo o una guía recta.** Esto mejora la precisión del corte y reduce la posibilidad de que la hoja se atasque.
- **Use siempre hojas con orificios del árbol del tamaño y la forma correctos (con forma de diamante o redonda).** Las hojas que no coinciden con los elementos de montaje de la sierra funcionarán de forma excéntrica, ocasionando la pérdida de control.
- **Nunca utilice un perno o arandelas de la hoja que estén dañados o sean incorrectos.** Las arandelas y el perno de la hoja fueron diseñados especialmente para su sierra, para ofrecer un rendimiento óptimo y seguridad en el funcionamiento.

CAUSAS DE CONTRAGOLPE Y ADVERTENCIAS RELACIONADAS

- El contragolpe es una reacción súbita a un pellizcamiento, atoramiento o desalineación de la hoja de la sierra, lo cual causa el descontrol, levantamiento y salida de la misma de la pieza de trabajo, hacia el operador.
- Cuando el corte al irse cerrando pellizca o atora ajustadamente la hoja de corte, ésta tiende a detenerse y la reacción del motor impulsa de forma rápida y violenta la unidad hacia el operador.
- Si la hoja se tuerce o desalinea en el corte, los dientes situados en el borde posterior de la hoja pueden encajarse en la superficie externa de la madera, causando de esta manera la salida de la hoja fuera del corte y un salto de la misma hacia el operador.

ADVERTENCIAS DE SEGURIDAD SIERRA CIRCULAR

El mal uso de la sierra ocasionará un contragolpe y/o de procedimientos o condiciones de trabajo incorrectas, y puede evitarse tomando las medidas de precaución adecuadas, como las señaldas abajo:

- **Sujete firmemente la sierra con ambas manos y coloque sus brazos de manera tal que resista la fuerza del contragolpe. Coloque su cuerpo a un costado de la hoja y no alineado con ésta.** El contragolpe puede ocasionar que la sierra salte hacia atrás. Sin embargo, el operador puede controlar la fuerza del contragolpe si toma las precauciones apropiadas.
- **Cuando esté atorándose la hoja, o esté interrumpiéndose el corte por alguna razón, suelte el gatillo y mantenga inmóvil la sierra en el material hasta que se detenga completamente la sierra. Nunca intente retirar la sierra de la pieza de trabajo ni tirar de la misma hacia atrás mientras esté en movimiento la hoja de corte, ya que puede ocasionar un contragolpe.** Investigue y tome las medidas correctivas adecuadas para eliminar la causa del atoramiento de la hoja.
- **Al volver a arrancar la sierra en la pieza de trabajo, centre la hoja en el corte y verifique que los dientes de la misma no estén encajados en el material.** Si la sierra está atorándose, puede salirse de la pieza de trabajo o dar un contragolpe al volverse a rearrancar.
- **Apoye debidamente los paneles grandes para reducir al mínimo el riesgo de un pellizcamiento de la hoja de corte y de un contragolpe.** Los paneles grandes tienden a combarse bajo su propio peso. Deben colocarse soportes bajo ambos lados del panel, cerca de la línea de corte y de la orilla del mismo.
- **No utilice hojas de corte desafiladas o dañadas.** Las hojas de corte desafiladas o triscadas de forma incorrecta producen un corte angosto con la consiguiente fricción excesiva, atoramiento de la hoja misma y contragolpe.
- **Las palancas de bloqueo de ajuste de profundidad y de biselado deben estar apretadas y aseguradas antes de efectuarse el corte.** Si cambia el ajuste de la hoja durante el corte, puede causarse el atoramiento de la misma y un contragolpe.
- **Tenga sumo cuidado cuando corte en paredes existentes o en otros puntos ciegos.** La parte sobresaliente de la hoja puede cortar objetos que pueden causar un contragolpe.

FUNCIÓN DE PROTECCIÓN INFERIOR

- **Cada vez antes de utilizar la unidad verifique que cierre correctamente la protección inferior. No utilice la sierra si la protección inferior no se mueve libremente y no cierra instantáneamente. Nunca asegure de ninguna forma la protección inferior en la posición abierta.** Si se deja caer accidentalmente la sierra, la protección inferior puede sufrir un doblamiento. Suba la protección inferior con el mango retractor y asegúrese de que se mueve libremente y no toca la hoja de corte ni ninguna otra parte, en todos los ángulos y profundidades de corte.
- **Verifique el funcionamiento del resorte de la protección inferior. Si la protección y el resorte no funcionan correctamente, debe proporcionárseles servicio antes de utilizar la unidad.** La protección inferior puede moverse con lentitud debido a piezas dañadas, depósitos gomosos o acumulación de desechos.
- **El protector inferior se deberá retraer manualmente sólo en el caso de cortes especiales como “cortes de penetración” y “cortes compuestos”. Levante el protector inferior retrayendo el mango y, ni bien la hoja ingrese en el material, libere el protector inferior.** Para todas las demás operaciones de aserrado, el protector inferior se deberá operar automáticamente.




- **Siempre asegúrese de que la protección inferior esté cubriendo la hoja de corte antes de colocar la sierra en un banco de trabajo o en el piso.** Si la hoja no está protegida y está aún en movimiento, la sierra avanza hacia atrás y corta cualquier objeto situado en su trayecto. Tenga presente el tiempo requerido por la hoja para detenerse después de soltarse el interruptor.

REGLAS ADICIONALES DE SEGURIDAD







- **Utilice prensas o cualquier otro medio práctico de asegurar y sostener la pieza de trabajo en una plataforma segura.** Sostener la pieza con la mano o contra el cuerpo lo hace inestable y puede causar una pérdida de control.
- **Siempre póngase protección ocular con protectores laterales con la marca de cumplimiento de la norma ANSI Z87.1 junto con protección para los oídos.** Con el cumplimiento de esta regla se reduce el riesgo de lesiones corporales serias.
- **Protéjase los pulmones. Use una careta o mascarilla contra el polvo si la operación genera mucho polvo.** Con el cumplimiento de esta regla se reduce el riesgo de lesiones serias.
- **Protéjase los oídos. Durante períodos prolongados de utilización del producto, póngase protección para los oídos.** Con el cumplimiento de esta regla se reduce el riesgo de lesiones corporales serias.
- **No se necesita conectar a una toma de corriente las herramientas de baterías; por lo tanto, siempre están en condiciones de funcionamiento. Esté consciente de los posibles peligros cuando no esté usando la herramienta de baterías o cuando esté cambiando los accesorios de la misma.** Con el cumplimiento de esta regla se reduce el riesgo de una descarga eléctrica, incendio o lesión corporal seria.
- **No coloque herramientas de baterías ni las baterías mismas cerca del fuego o del calor.** De esta manera se reduce el riesgo de explosiones y de lesiones.
- **No aplaste, deje caer ni dañe el paquete de baterías. No use un paquete de baterías o un cargador que se haya caído o haya recibido un golpe fuerte.** Las baterías dañadas pueden sufrir explosiones. Deseche de inmediato toda batería que haya sufrido una caída o cualquier daño.
- **Las baterías pueden explotar en presencia de una fuente de ignición, como una luz piloto.** Para reducir el riesgo de lesiones corporales serias, nunca use un producto inalámbrico en presencia de llamas vivas. Una batería que explotó puede expulsar escombros y productos químicos. Si ha quedado expuesto a la explosión de una pila, lávese de inmediato con agua.
- **No cargue herramientas de baterías en lugares mojados o húmedos. No lo utilice, guarde o cargue la paquete de baterías o la unidad en lugares donde la temperatura sea inferior a 10 °C (50 °F) o superior a 38 °C (100 °F).** No guarde la herramienta a la intemperie ni en el interior de vehículos.
- **En condiciones extremas de uso o temperatura, la batería puede presentar fugas. Si el líquido entra en contacto con la piel, lávese inmediatamente con agua y jabón. Si le entra líquido en los ojos, láveselos con agua limpia por lo menos 10 minutos, y después busque de inmediato atención médica.** Con el cumplimiento de esta regla se reduce el riesgo de lesiones personales serias.
- **Guarde estas instrucciones.** Consúltelas con frecuencia y empléelas para instruir a otras personas que puedan utilizar esta herramienta. Si le presta esta herramienta a alguien, facilítele también las instrucciones.

SÍMBOLOS

Las siguientes palabras de señalización y sus significados tienen el objeto de explicar los niveles de riesgo relacionados con este producto.

SÍMBOLO	SEÑAL	SIGNIFICADO
	PELIGRO:	Indica una situación peligrosa, la cual, si no se evita, causará la muerte o lesiones serias.
	ADVERTENCIA:	Indica una situación peligrosa, la cual, si no se evita, podría causar la muerte o lesiones serias.
	PRECAUCIÓN:	Indica una situación peligrosa, la cual, si no se evita, podría causar lesiones menores o leves.
	AVISO:	(Sin el símbolo de alerta de seguridad) Indica la información que se considera importante, pero no relacionada con lesiones potenciales (por ej. en relación a daños a la propiedad).

Es posible que se empleen en este producto algunos de los siguientes símbolos. Le suplicamos estudiarlos y aprender su significado. Una correcta interpretación de estos símbolos le permitirá utilizar mejor y de manera más segura el producto.

SÍMBOLO	NOMBRE	DENOMINACIÓN/EXPLICACIÓN
	Alerta de seguridad	Indica un peligro posible de lesiones personales
	Lea manual del operador	Para reducir el riesgo de lesiones, el usuario debe leer y comprender el manual del operador antes de usar este producto.
	Protección para los ojos	Siempre póngase protección ocular con la marca de cumplimiento de la norma ANSI Z87.1.
	Alerta de condiciones húmedas	No exponga la unidad a la lluvia ni la use en lugares húmedos.
	Símbolo de no acercar las manos	Si no mantiene las manos alejadas de la hoja de corte, se causará serias lesiones corporales.
	Símbolo de reciclado	Este producto utiliza baterías de iones de litio (Li-ion). Es posible que algunas leyes municipales, estatales o federales prohíban desechar las baterías en la basura normal. Consulte a las autoridades reguladoras de desechos para obtener información en relación con las alternativas de reciclado y desecho disponibles.
V	Volts	Voltaje
min	Minutos	Tiempo
==	Corriente continua	Tipo o característica de corriente
n_0	Velocidad en vacío	Velocidad de rotación, en vacío
.../min	Por minuto	Revoluciones, carreras, velocidad superficial, órbitas, etc., por minuto

CARACTERÍSTICAS

ESPECIFICACIONES DEL PRODUCTO

Diámetro de la hoja 165,1 mm (6-1/2 pulg.)
Árbol de la hoja de corte 16 mm (5/8 pulg.)
Profundidad de corte a 0° 57,2 mm (2-1/4 pulg.)

Profundidad de corte a 45° 39,7 mm (1-9/16 pulg.)
Profundidad de corte a 45° 35 mm (1-3/8 pulg.)
Velocidad en vacío (RPM)..... 4900/min

ARMADO

DESEMPAQUETADO

Este producto requiere armarse.

- Extraiga cuidadosamente de la caja la herramienta y los accesorios. Asegúrese de que estén presentes todos los artículos enumerados en la lista de empaquetado.

ADVERTENCIA:

No utilice este producto si alguna pieza incluida en la lista de incluye ya está ensamblada al producto cuando lo desempaqueta. El fabricante no ensambla las piezas de esta lista en el producto. Éstas deben ser instaladas por el usuario. El uso de un producto que puede haber sido ensamblado de forma inadecuada podría causar lesiones personales graves.

- Si hay alguna parte dañada o faltante, llame al 1-800-525-2579, donde le brindaremos asistencia.

ADVERTENCIA:

Si hay piezas dañadas o faltantes, no utilice esta producto sin haber reemplazado todas las piezas. Usar este producto con partes dañadas o faltantes puede causar lesiones serias al operador.

ADVERTENCIA:

No intente modificar esta producto ni hacer accesorios no recomendados para la misma. Cualquier alteración o modificación constituye maltrato el cual puede causar una condición peligrosa, y como consecuencia posibles lesiones corporales serias.

MONTAJE DE LA HOJA

Vea la figura 1, página 13.

ADVERTENCIA:

La máxima capacidad de diámetro de hoja de la sierra es 184 mm (6-1/2 pulg.). Nunca utilice una hoja tan gruesa que la arandela exterior de la hoja no se enganche en las partes planas del husillo. Las hojas más grandes tocan la protección de la hoja, y las más gruesas impiden asegurarlas con el perno correspondiente en el husillo. Cualquiera de estas dos situaciones puede causar un accidente serio.

- Retire de la sierra el paquete de baterías.
- Retire de su lugar de almacenamiento la llave de la hoja (la llave hexagonal de 5 mm).
- Oprima el seguro del husillo y retire el tornillo y la arandela exterior de la hoja.

NOTA: Gire el tornillo de la hoja hacia la derecha para retirarlo.

AVISO:

Para evitar dañar el husillo o el seguro del mismo, siempre deje que el motor se detenga completamente antes de enganchar el seguro.

NOTA: No ponga a funcionar la sierra circular con el seguro del husillo puesto.

- Unte una gota de aceite en las arandelas interior y exterior de la hoja, donde tocan ésta.

ADVERTENCIA:

Si retiró la arandela interior de la hoja, vuelva a colocarla antes de instalar la hoja en el husillo. Si no lo hace podría producirse un accidente ya que la hoja no se apretaría correctamente.

- Suba la protección inferior de la hoja.
- Asegúrese de que la arandela interior de la hoja estén en su lugar en el eje antes de instalar la nueva hoja. Acomode la hoja de la sierra dentro de la protección inferior, y luego móntela en el husillo.

NOTA: Los dientes de la sierra apuntan hacia arriba en la parte delantera de la sierra.

- Vuelva a colocar la arandela exterior de la hoja.
- Oprima el botón del seguro del husillo y vuelva a colocar el tornillo de la hoja hacia la izquierda.
- Regrese la llave de la hoja al compartimiento.

DESMONTAJE DE LA HOJA

Vea la figura 2, página 13.

- Retire de la sierra el paquete de baterías.
- Retire de su lugar de almacenamiento la llave de la hoja.
- Coloque la sierra como se muestra, oprima el botón del seguro del husillo, y retire el tornillo de la hoja girándolo a la derecha.
- Retire la arandela exterior de la hoja.
- Levante la protección inferior de la hoja.
- Retire la hoja.

FUNCIONAMIENTO

PELIGRO:

Mantenga las manos alejadas del área de corte y de la hoja. Mantenga la otra mano en el mango auxiliaire o en el alojamiento del motor. Si ambas manos están sujetando la sierra, la hoja de corte no puede lesionarlas.

ADVERTENCIA:

No permita que su familiarización con las herramientas lo vuelva descuidado. Tenga presente que un descuido de un instante es suficiente para causar una lesión grave.

ADVERTENCIA:

Siempre retire el paquete de baterías de la herramienta cuando esté ensamblando partes, realizando ajustes, limpiando o cuando ésta no esté en uso. Retirando el paquete de baterías se evita arrancar accidentalmente la unidad, lo cual puede causar lesiones serias.

ADVERTENCIA:

Siempre póngase protección ocular con la marca de cumplimiento de la norma ANSI Z87.1. No seguir esta advertencia podría provocar que salgan objetos despedidos hacia sus ojos y otras lesiones graves.

ADVERTENCIA:

No utilice ningún aditamento o accesorio no recomendado por el fabricante de este producto. El empleo de aditamentos o accesorios no recomendados podría causar lesiones serias.

APLICACIONES

Esta herramienta puede emplearse para los fines siguientes:

- Corte de todos tipos de productos de madera (tablas, contrachapada y paneles)
- Cortes transversales y al hilo en los productos de madera
- Cortes a bisel en los productos de madera
- Cortes en cavidad en los productos de madera

ADVERTENCIA:

Nunca utilice discos de trocear abrasivos de ninguna clase con esta sierra. De usarse hojas de corte no diseñadas para madera puede ocasionar daños físicos o graves lesiones personales.

INSTALACIÓN/DESMONTAR DEL PAQUETE DE BATERÍAS

Vea la figura 3, página 14.

- Coloque el paquete de baterías en el producto como se muestra.
- Asegúrese de que los pestillos situados en ambos lados del paquete de baterías entren completamente en su lugar con un chasquido y de que el paquete quede bien fijo en la motosierra antes de empezar a utilizar la unidad.
- Oprima los pestillos para extraer el paquete de baterías.

Para obtener instrucciones específicas de carga, lea el manual del operador que se incluye con el cargador y la batería.

ADVERTENCIA:

Las herramientas de baterías siempre están en condiciones de funcionamiento. Por lo tanto, siempre debe estar asegurado el interruptor cuando no esté usándose o el operador lo lleve por un lado.

INSTALACIÓN DEL ACCESORIO PARA ASPIRADORA

Vea la figura 4, página 14.

El accesorio de aspiradora provisto con la sierra puede instalarse para eliminar y desechar polvo fácilmente. Se adapta a una manguera de aspiradora de 31,75 (1-1/4 pulg.) o 47,63 mm (1-7/8 pulg.)

NOTA: Si utiliza el accesorio de aspiradora, debe conectarla siempre a una manguera de aspiradora estándar. Para conectar el accesorio de aspiradora:

- Retire el paquete de baterías.
- Oriente el adaptador para que encaje en la abertura del vertedero de polvo en el protector de la hoja superior.
- Asegure el adaptador con el tornillo provisto.
- Conecte la manguera de aspiradora al accesorio de aspiradora.

NOTA: Una manguera de aspiradora de 31,75 mm (1-1/4 pulg.) encajará dentro del accesorio de aspiradora. Si coloca una manguera de 47,63 mm (1-7/8 pulg.), encajará sobre el accesorio de aspiradora.

CONTRAGOLPE

Vea las figuras 5 a 8, página 14.

El contragolpe sucede cuando la hoja se detiene rápidamente y la sierra sale empujada hacia el operador. El atoramiento de la hoja es causado por cualquier acción que produzca el pellizcamiento de la hoja en la madera.

FUNCIONAMIENTO

ADVERTENCIA:

Si la hoja pierde velocidad o se atora, suelte de inmediato el interruptor. El contragolpe podría causar la pérdida de control de la sierra. La pérdida de control puede originar lesiones serias.

Para protegerse y evitar contragolpes, evite prácticas peligrosas como las siguientes:

- Ajustar de forma incorrecta la profundidad de la hoja
- Cortar nudos o clavos presentes en la pieza de trabajo
- Torcer la hoja al efectuar un corte
- Cortar con una hoja desafilada, mal triscada o cubierta de goma
- Apoyar de forma incorrecta la pieza de trabajo
- Efectuar cortes forzados
- Cortar madera combada o húmeda
- Utilizar la herramienta de forma incorrecta o para un uso inadecuado

Para disminuir el peligro de un contragolpe, siga estas prácticas de seguridad:

- Mantenga la hoja a un ajuste de profundidad correcto. Por debajo de la pieza de trabajo, debe verse menos de un diente completo de la hoja.
- Inspeccione la pieza de trabajo para ver si contiene nudos o clavos. Nunca corte nudos ni clavos.
- Corte en línea recta. Siempre utilice una guía recta al efectuar cortes al hilo. Esto ayuda a evitar el torcimiento de la hoja.
- Use hojas limpias, afiladas y triscadas correctamente. Nunca efectúe cortes con hojas desafiladas.
- Apoye y sujete la pieza de trabajo antes de iniciar un corte.
- Aplique una presión estable y uniforme al efectuar el corte. Nunca efectúe cortes forzados.
- No corte madera combada o húmeda.
- Siempre permita que la hoja alcance su velocidad máxima antes de iniciar un corte.
- Sujete firmemente la sierra con ambas manos y mantenga el cuerpo en una postura bien equilibrada de manera que pueda resistir las fuerzas de un contragolpe si llegara a ocurrir.

ADVERTENCIA:

Al utilizar la sierra siempre permanezca alerta y en control de la herramienta. No retire la sierra de la pieza de trabajo mientras continúe en movimiento la hoja.

HOJAS DE LA SIERRA

Incluso las mejores hojas para sierra no cortan eficientemente si no se mantienen, limpias, afiladas y debidamente triscadas. Si se utiliza una hoja desafilada se le impone una carga muy pesada a la sierra y se aumenta el peligro de un contragolpe.

Mantenga hojas extra a la mano, de manera que siempre haya hojas afiladas disponibles.

La goma y la resina endurecidas en las hojas hacen más lenta la sierra. Retire la hoja de la sierra y utilice limpiador de goma y de resina, agua caliente o queroseno para limpiar la acumulación de aquéllas. **NO UTILICE GASOLINA.**

SISTEMA DE PROTECCIÓN DE LA HOJA

Vea la figura 9, página 14.

La protección inferior montada en la sierra circular es para protegerlo a usted y para su seguridad. No la altere de ninguna forma. Si se daña, no utilice la sierra hasta que haya reparado o reemplazado la protección, según sea necesario. Siempre deje la protección en la posición de trabajo al utilizar la sierra.

PELIGRO:

Al cortar de lado a lado, la protección inferior no cubre la hoja por dicho lado de la pieza de trabajo. Puesto que la hoja queda expuesta por la parte inferior de la pieza de trabajo, mantenga las manos y los dedos alejados del área de corte. Cualquier parte del cuerpo que toque la hoja en movimiento puede resultar lesionada seriamente.

ADVERTENCIA:

Para evitar posibles lesiones serias, nunca utilice la sierra cuando no esté funcionando correctamente la protección. Siempre verifique el funcionamiento de la protección antes de utilizar la herramienta. La protección funciona correctamente cuando se mueve libremente y regresa de inmediato a la posición cerrada. Si deja caer la sierra, revise la protección inferior de la hoja y el parachoques para ver si tienen daños en todos los ajustes de la profundidad antes de volver a usar la unidad.

ADVERTENCIA:

Nunca fije la protección inferior de la hoja en la posición elevada. Si se deja expuesta la hoja pueden originarse lesiones serias.

Si en cualquier momento la protección inferior de la hoja no cierra de inmediato, retire el paquete de baterías de la sierra. Ponga en movimiento la protección inferior moviéndola rápidamente de atrás hacia adelante, de la posición abierta a la cerrada, varias veces. Normalmente de esta manera se restablece el funcionamiento normal de la protección. No con esto no se corrige la lentitud o falta de libertad del movimiento de cierre de la protección inferior, no utilice la sierra. Llévela a un centro de servicio autorizado por la fábrica para su reparación.

BOTÓN DEL SEGURO DE APAGADO

Vea la figura 10, página 14.

El botón del seguro de apagado reduce la posibilidad de arrancar accidentalmente la unidad. El botón del seguro de apagado se encuentra en el mango, arriba del gatillo del interruptor. Debe

FUNCIONAMIENTO

oprimir el botón del seguro de apagado antes de oprimir el gatillo del interruptor. El seguro se reajusta cada vez que se suelta el gatillo.

NOTA: El botón del seguro de apagado puede oprimirse desde el lado izquierdo o el derecho.

ENCENDIDO Y APAGADO DE LA SIERRA

Veá la figura 10, página 14.

Para arrancar la sierra:

- Oprima el botón del seguro de apagado.
- Apriete el gatillo del interruptor.

Siempre permita que la hoja alcance su velocidad máxima, y hasta después introdúzcala en la pieza de trabajo.

ADVERTENCIA:

Si la hoja toca la pieza de trabajo antes de alcanzar la velocidad máxima, podría causar un contragolpe de la sierra hacia usted y podría producirle lesiones graves.

Para apagar la sierra, suelte el gatillo del interruptor.

Después de soltar el gatillo del interruptor permita que se detenga completamente la hoja de corte. **No retire la sierra de la pieza de trabajo mientras continúe en movimiento la hoja.**

AJUSTE DE LA PROFUNDIDAD DE LA HOJA

Veá la figura 11, página 15.

Siempre mantenga la hoja a un ajuste de profundidad correcto. Por debajo de la pieza de trabajo, debe verse menos de un diente completo de la hoja. Cuanto mayor es la profundidad de la hoja mayor es la posibilidad de un contragolpe y de un corte áspero.

- Retire el paquete de baterías de la sierra.
- Gire la palanca de fijación de profundidad para alejarla de la base.
- Determine la profundidad de corte deseada.
- Coloque la sierra en la carcasa del motor plana con el lado de la hoja hacia el usuario y mueva la base para alinear su parte inferior con la línea indicadora de profundidad de corte deseada marcada en la protección inferior de la hoja.
- Gire la palanca de fijación de profundidad hacia la base para que quede fija en la posición.

UTILIZACIÓN DE LA SIERRA

Veá las figuras 12 y 13, página 15.

Es importante comprender la forma correcta de utilizar la sierra. Consulte las figuras de esta sección para ver las formas correctas e incorrectas de manejar la sierra.

PELIGRO:

Al levantar la sierra de la pieza de trabajo, la hoja queda expuesta en la parte inferior de la sierra hasta que cierra la protección inferior de la hoja. Asegúrese de que la protección inferior cierre antes de dejar en reposo la sierra.

ADVERTENCIA:

Para efectuar los cortes de forma más fácil y más segura, siempre mantenga un control adecuado de la sierra sosteniéndola con ambas manos. La pérdida de control podría causar un accidente, y como consecuencia posibles lesiones corporales serias.

ADVERTENCIA:

Utilice prensas o cualquier otro medio práctico de asegurar y sostener la pieza de trabajo en una plataforma segura. Sostener la pieza de trabajo con la mano o contra el cuerpo es una práctica que genera inestabilidad y puede hacer que pierda el control de la herramienta, lo que podría causar graves lesiones.

Para efectuar el mejor corte que sea posible:

- Sujete la sierra firmemente con ambas manos.
- Evite colocar la mano sobre la pieza de trabajo al efectuar un corte.
- Apoye la pieza de trabajo de manera que el corte (la ranura) le quede siempre al lado de usted.
- Apoye la pieza de trabajo cerca del corte.
- Sujete firmemente la pieza de trabajo con prensas de manera que no se mueva durante el trabajo.
- Siempre coloque la sierra en la sección apoyada de la pieza de trabajo, no en la que va a desecharse.
- Coloque la pieza de trabajo con el lado “bueno” hacia abajo.
- Trace una línea guía a lo largo de la línea de corte antes de iniciar éste.

CORTES TRANSVERSALES Y AL HILO

Veá las figuras 14 y 15, página 15.

Al efectuar un corte transversal o al hilo, alinee la línea de corte con la muesca guía exterior de la base.

Puesto que el espesor de las hojas varía, siempre efectúe un corte de prueba en material desechable a lo largo de una línea guía para determinar qué tanto debe desplazar la línea guía para producir un corte preciso.

NOTA: La distancia existente de la línea de corte a la línea guía es la distancia que debe desplazar la guía.

- Asegure la pieza de trabajo.
- Sujete una regla (pieza recta) a la pieza de trabajo mediante prensas de mano.
- Presione el botón del seguro de apagado y, luego, el gatillo del interruptor para iniciar la sierra. Permita siempre que la hoja llegue a máxima velocidad y, luego, corte a lo largo de la pieza recta para lograr un corte recto.

NOTA: No permita que se atore la hoja en el corte.

FUNCIONAMIENTO

UTILIZANDO LA GUÍA DE BORDES OPCIONAL

Veá la figura 16, página 15.

Use la guía de bordes cuando haga cortes largos o anchos con su sierra. La guía de bordes se compra por separado. Consulte "Accesorios" más adelante en este manual.

- Retire de la sierra el paquete de baterías.
- Coloque la guía para cantos a través de las ranuras de la base de la sierra.
- Ajuste la guía para cantos a la anchura necesaria.
- Apriete firmemente el tornillo de mariposa.

Cuando utilice una guía para cantos, coloque la cara de la misma firmemente contra el canto de la pieza de trabajo. Esto permite efectuar un corte recto sin pellizcar la hoja. El canto de guía de la pieza de trabajo debe estar recto para poder dejar recto el corte. Tenga cuidado y evite el atoramiento de la hoja en el corte.

CORTE A BISEL

Veá las figuras 17 a 19, página 15 y 16.

El ángulo de corte de la sierra puede ajustarse a cualquier grado deseado entre cero y 50°.

NOTA: Al efectuar cortes a 50°, debe ajustarse la hoja a la profundidad máxima de corte.

Puesto que el espesor de las hojas varía, y para diferentes ángulos se requieren diferentes ajustes, siempre efectúe un corte de prueba en material desechable a lo largo de una línea guía para determinar qué tanto debe desplazar la línea guía en la tabla por cortar.

Al efectuar cortes a bisel, sujete la sierra firmemente con ambas manos.

Deje descansar el borde frontal de la base en la pieza de trabajo. Para encender la sierra, oprima primero el botón del seguro de apagado y luego el gatillo. Siempre permita que la hoja alcance su velocidad máxima, y hasta después guíe la sierra introduciéndola en la pieza de trabajo.

ADVERTENCIA:

Si la hoja toca la pieza de trabajo antes de alcanzar la velocidad máxima, podría causar un "contragolpe" de la sierra hacia usted y podría producirle lesiones graves.

Después de terminar el corte, suelte el gatillo y permita que se detenga completamente la hoja de corte. Después de haberse detenido la hoja, levante la sierra de la pieza de trabajo.

PARA AJUSTAR EL ÁNGULO DE BISELADO

Veá las figuras 17 a 19, página 15 y 16.

- Retire de la sierra el paquete de baterías.
- Gire la palanca de fijación del bisel a la izquierda hasta que el alojamiento del motor se mueva libremente.

- Suba el alojamiento del motor hasta que alcance el ángulo deseado en la escala del ángulo de bisel (0-50°).
- Gire la palanca de fijación del bisel a la derecha hasta que el alojamiento del motor quede bien trabado en su lugar.

ADVERTENCIA:

Intentar efectuar un corte a bisel sin tener la palanca de fijación del bisel del mismo fija firmemente en su lugar puede producir lesiones serias.

CORTE EN CAVIDAD

Veá la figura 20, página 16.

ADVERTENCIA:

Siempre ajuste el ángulo de biselado a cero antes de efectuar un corte en cavidad. Si se intenta efectuar un corte en cavidad a cualquier ángulo puede producirse una pérdida de control de la sierra, y por consecuencia posibles lesiones serias.

- Ajuste el ángulo de biselado a cero.
- Ajuste la hoja a la profundidad correcta.
- Suba la protección inferior de la hoja con la manija correspondiente.
NOTA: Siempre suba la protección inferior de la hoja con la manija para evitar lesiones serias.
- Sostenga la protección inferior de la hoja con la manija.

ADVERTENCIA:

Nunca extienda los dedos al tener el asidero más bajo de guardia de hoja. Extender los dedos pueden tener como resultado el contacto con la hoja, por consecuencia posibles lesiones serias.

- Deje descansar la parte frontal de la base contra la pieza de trabajo, con la parte posterior del mango elevada de manera que la hoja no toque la pieza de trabajo.

PELIGRO:

Asegúrese de colocar los dedos alejados de la hoja antes de oprimir el gatillo del interruptor. El contacto con la hoja causará lesiones graves.

- Para encender la sierra, oprima primero el botón del seguro de apagado y luego el gatillo. Siempre permita que la hoja alcance su velocidad máxima, y después baje la sierra lentamente introduciéndola en la pieza de trabajo hasta que la base quede abatida contra la pieza de trabajo.
- Guíe la sierra introduciéndola en la pieza de trabajo y efectúe el corte.

FUNCIONAMIENTO

ADVERTENCIA:

Siempre corte avanzando hacia adelante al efectuar cortes en cavidad. Si corta retrocediendo la sierra podría subirse a la pieza de trabajo y lanzarse contra usted.

- Suelte el gatillo y permita que se detenga completamente la hoja de corte.
- Levante la sierra de la pieza de trabajo.
- Termine las esquinas con una sierra de mano o con una de vaivén.

AJUSTES

TOPE DE BISEL A 0°

Vea la figura 21, página 17.

La sierra dispone de un tope de bisel a 0° ajustado en la fábrica con el fin de asegurar un ángulo de 0° al efectuar cortes a 0°. No obstante, puede ocurrir una desalineación durante el transporte.

Para verificar el tope de bisel a 0°:

- Retire de la sierra el paquete de baterías.
- Coloque la sierra en posición invertida sobre el banco de trabajo.
- Desplace la protección inferior para dejar expuesta la hoja de la sierra.
- Con una escuadra combinada verifique la perpendicularidad de la hoja con respecto a la base.

Para ajustar el tope de bisel a 0°:

- Retire de la sierra el paquete de baterías.
- Gire la palanca de fijación del bisel a la izquierda para aflojar.
- Coloque la llave hexagonal de 2 mm (no incluida) en el agujero del tornillo de la base.
- Gire el tornillo de ajuste y ajuste la base hasta dejarla a escuadra con la hoja de la sierra.
- Fije firmemente la palanca de fijación del bisel del ángulo de biselado.

ADVERTENCIA:

Intentar efectuar un corte a bisel sin tener la palanca de fijación del bisel del mismo fija firmemente en su lugar puede producir lesiones serias.

MANTENIMIENTO

ADVERTENCIA:

Para el servicio de la unidad sólo utilice piezas de repuesto idénticas. El empleo de piezas diferentes puede causar un peligro o dañar el producto.

ADVERTENCIA:

Siempre póngase protección ocular con la marca de cumplimiento de la norma ANSI Z87.1 junto con protección para los oídos. La inobservancia de esta advertencia puede permitir que los objetos lanzados hacia los ojos y otros provocarle lesiones graves.

ADVERTENCIA:

Para evitar lesiones corporales serias, siempre retire el paquete de baterías de la herramienta al limpiarla o darle mantenimiento.

MANTENIMIENTO GENERAL

Evite el empleo de solventes al limpiar piezas de plástico. La mayoría de los plásticos son susceptibles a diferentes tipos de solventes comerciales y pueden resultar dañados. Utilice paños limpios para eliminar la suciedad, el polvo, el aceite, la grasa, etc.

ADVERTENCIA:

No permita en ningún momento que fluidos para frenos, gasolina, productos a base de petróleo, aceites penetrantes, etc., lleguen a tocar las piezas de plástico. Las sustancias químicas pueden dañar, debilitar o destruir el plástico, lo cual a su vez puede producir lesiones corporales serias.

ACCESORIOS

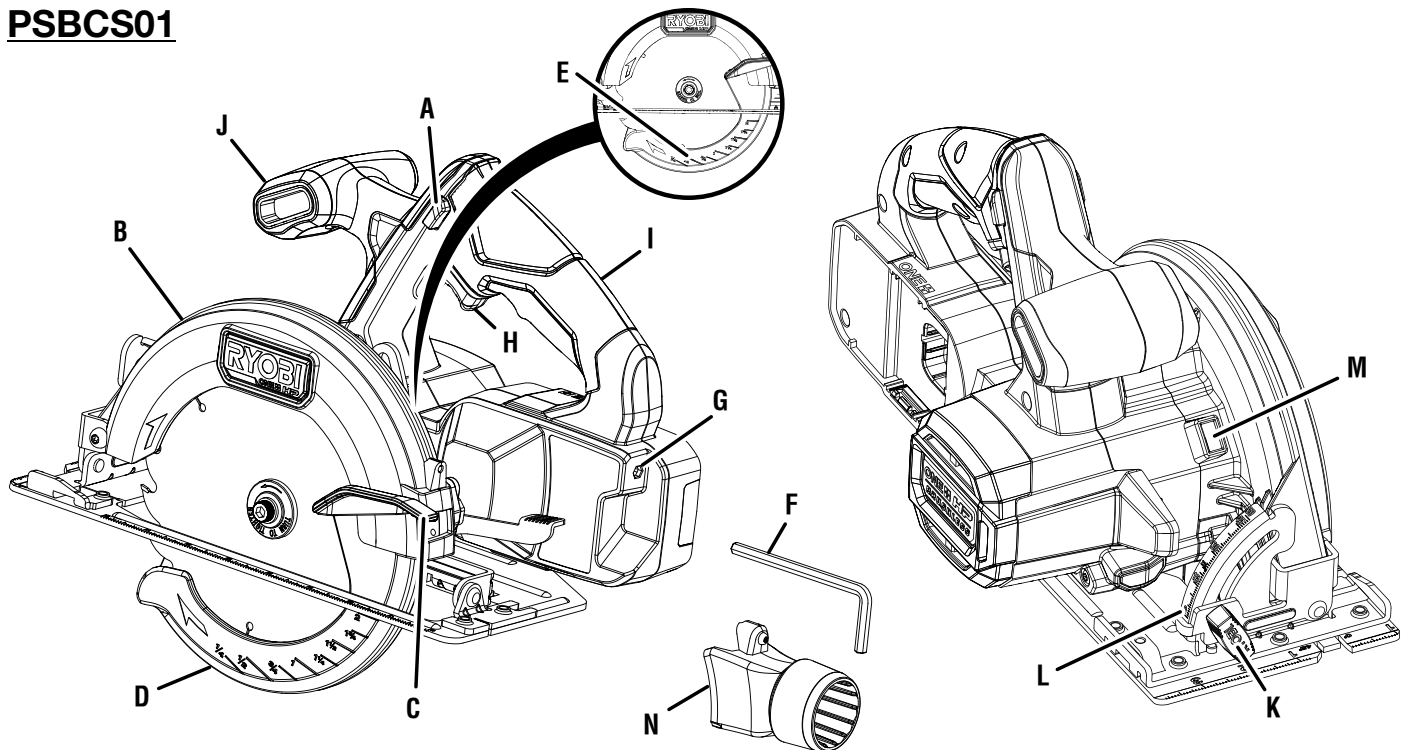
Busque estos accesorios donde adquirió este producto.

- Guía para cantos..... 690119004

ADVERTENCIA:

Arriba se señalan los aditamentos y accesorios disponibles para usarse con esta herramienta. No utilice ningún aditamento o accesorio no recomendado por el fabricante de esta herramienta. El empleo de aditamentos o accesorios no recomendados podría causar lesiones serias.

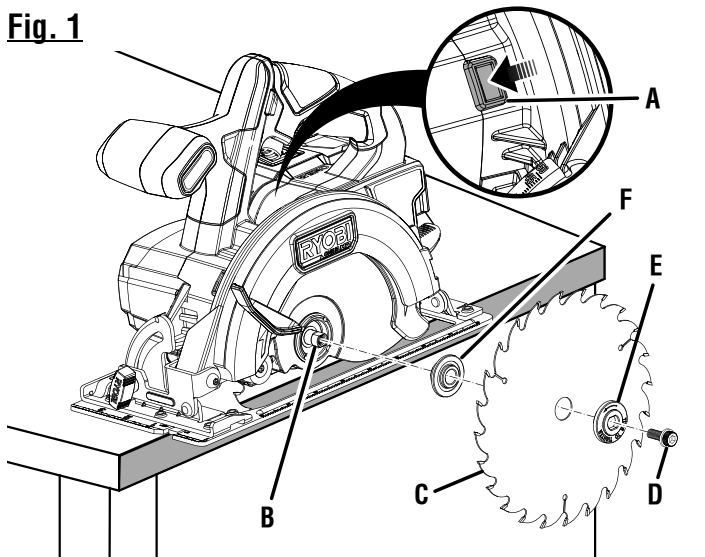
PSBCS01



- A - Lock-off button (bouton de verrouillage, botón del seguro de apagado)
- B - Upper blade guard (garde de lame supérieure, protector superior de la hoja)
- C - Lower guard handle (poignée de garde inférieur, mango de la protección inferior)
- D - Lower blade guard (garde de lame inférieure, protección inferior de la hoja)
- E - Depth of cut scale (l'échelle de profondeur de coupe, escala de profundidad de corte)
- F - 5 mm blade wrench (clé de lame de 5 mm, llave de hoja de 5 mm)

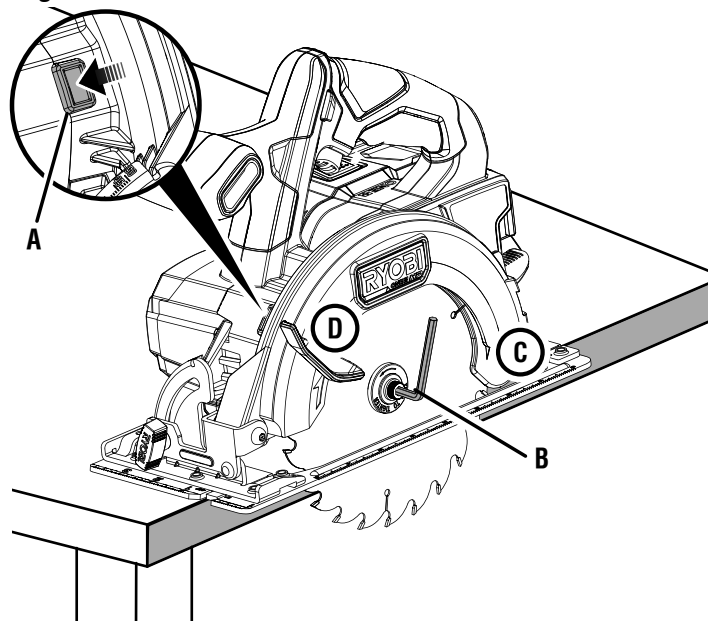
- G - Blade wrench storage (rangement de la clé de lame, lugar de guardar la llave de la hoja)
- H - Switch trigger (gâchette de commutateur, gatillo del interruptor)
- I - Rear handle (poignée arrière, mango trasero)
- J - Auxiliary handle (poignée auxiliaire, mango auxiliar)
- K - Bevel lock knob (bouton de verrouillage de biseau, perilla de fijación del bisel)
- L - Bevel scale (échelle de biseau, escala de bisel)
- M - Spindle lock (verrouillage de broche, seguro del husillo)
- N - Vacuum attachment (accessoire d'aspiration, accesorio para aspiradora)

Fig. 1



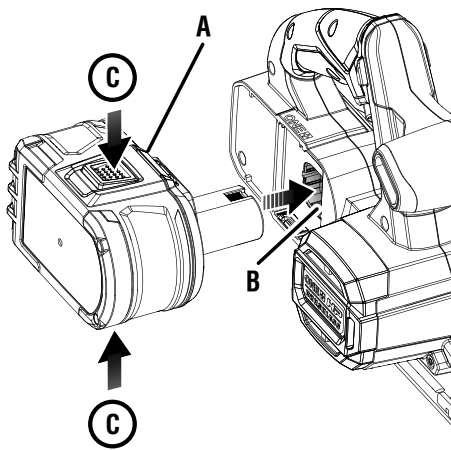
- A - Spindle lock (verrouillage de broche, seguro del husillo)
- B - Spindle (broche, husillo)
- C - Blade (lame, hoja)
- D - Blade screw (vis de lame, tornillo de la hoja)
- E - Outer blade washer (rondelle de lame extérieure, arandela exterior de la hoja)

Fig. 2



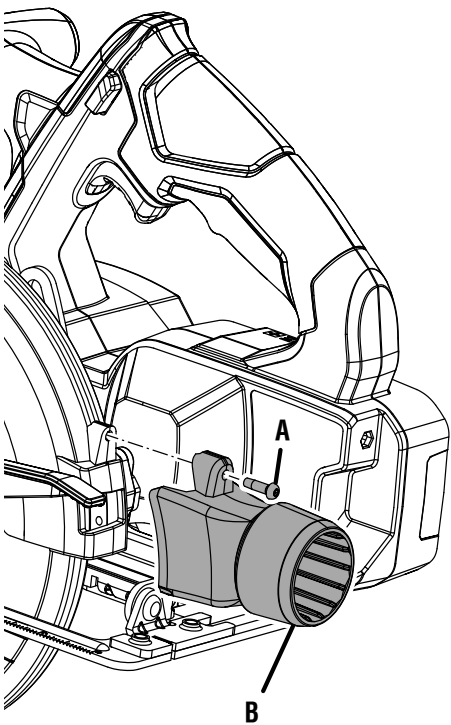
- A - Spindle lock (verrouillage de broche, seguro del husillo)
- B - Blade wrench (clé de lame, llave de hoja)
- C - To loosen (pour desserrer, para aflojar)
- D - To tighten (pour serrer, para apretar)

Fig. 3



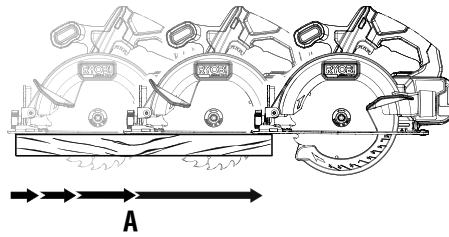
- A - Battery pack (bloc-piles, paquete de baterías)
- B - Battery port (port du bloc-piles, puerto de batería)
- C - Depress latches to release battery pack (appuyer sur les loquets pour libérer le bloc-piles; para soltar el paquete de baterías oprima los pestillos)

Fig. 4



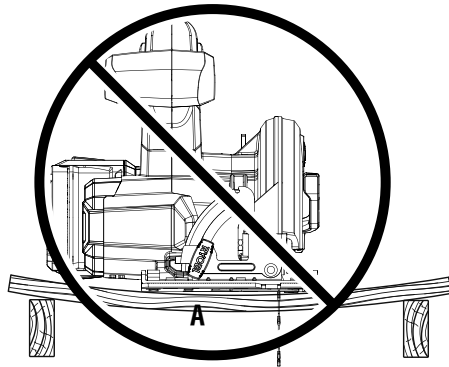
- A - Screw (vis, tornillo)
- B - Vacuum attachment (accessoire d'aspiration, accesorio para aspiradora)

Fig. 5



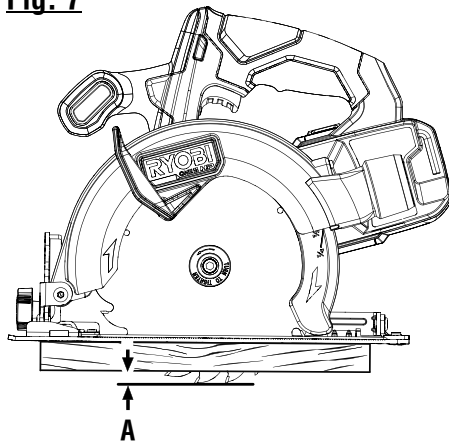
- A - Kickback – blade set too deep (rebond – réglage incorrect de la profondeur de coupe, contragolpe – la hoja se ajustó muy profunda)

Fig. 6



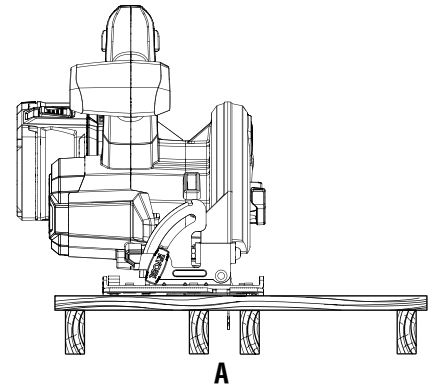
- A - Incorrect support (support incorrect, soporte incorrecto)

Fig. 7



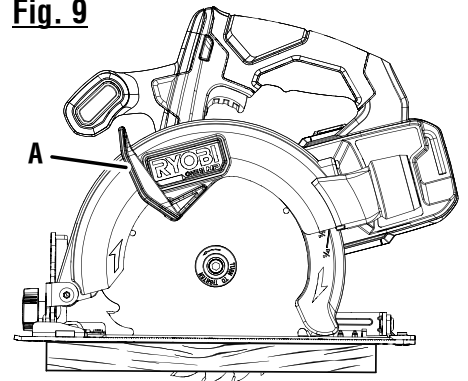
- A - Correct blade depth setting = less than a full tooth of the blade teeth should be visible below the workpiece (Réglage de profondeur de coupe correct = sous la pièce à travailler, on devrait pouvoir distinguer moins d'une dent entière parmi celles de la lame; Ajuste correcto de la profundidad de la hoja = por debajo de la pieza de trabajo, debe verse menos de un diente completo de la hoja)

Fig. 8



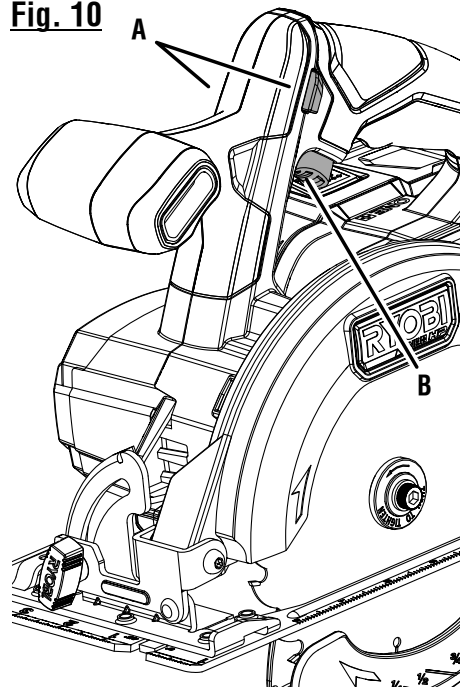
- A - Correct support (support correct, soporte correcto)

Fig. 9



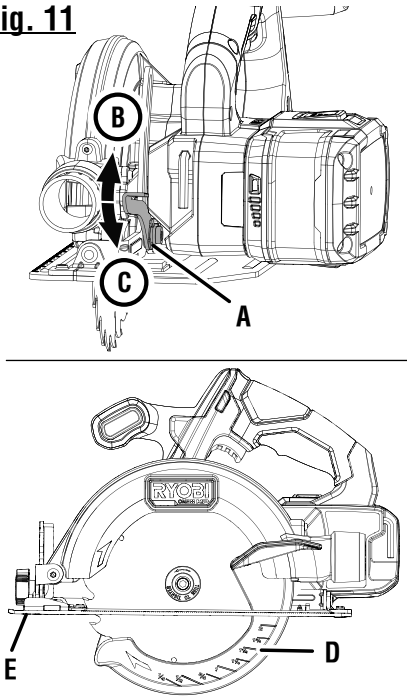
- A - Lower blade guard is in up position when making a cut (pendant la coupe, la garde inférieure est relevée, la protección inferior de la hoja está en la posición elevada al efectuarse cortes)

Fig. 10



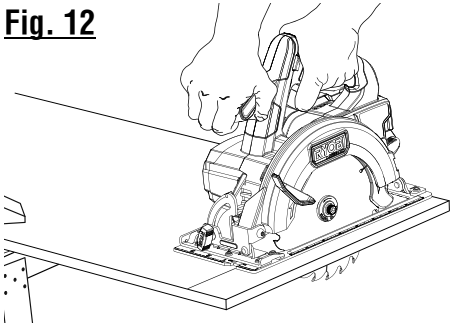
- A - Lock-off button (bouton de verrouillage, botón del seguro de apagado)
- B - Switch trigger (gâchette de commutateur, gatillo del interruptor)

Fig. 11



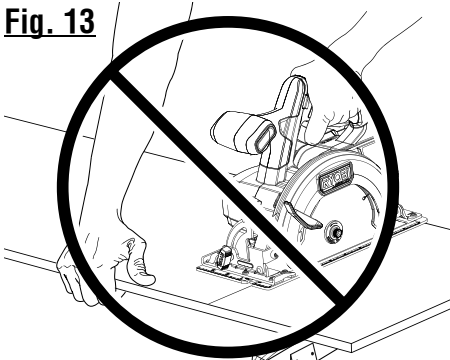
- A - Depth lock lever (levier de verrouillage de profondeur, palanca de fijación de profundidad)
- B - To unlock depth lock (pour déverrouillage verrouillage de profondeur, para desbloquear fijación de profundidad)
- C - To lock depth lock (pour verrouiller de verrouillage profondeur, para asegurar fijación de profundidad)
- D - Depth of cut scale (levier de réglage de profondeur, palanca de ajuste de profundidad)
- E - Base (base, base)

Fig. 12



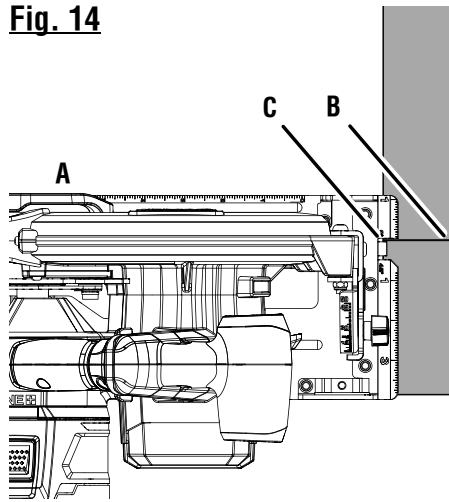
RIGHT / CORRECT / FORMA CORRECTA

Fig. 13



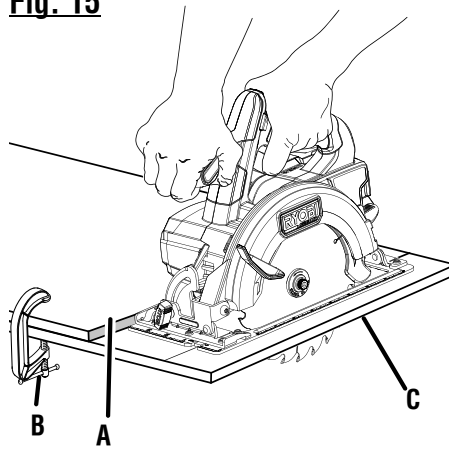
WRONG / INCORRECT / FORMA INCORRECTA

Fig. 14



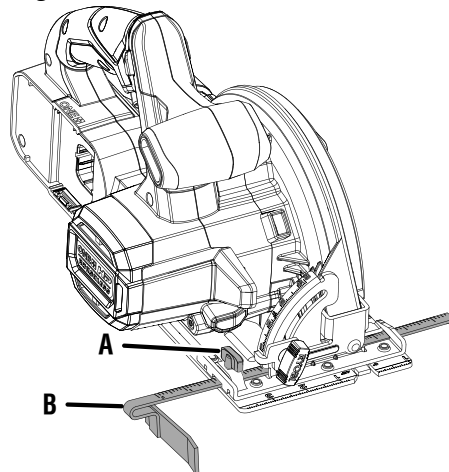
- A - Top view of saw (vue de dessus de la scie, vista superior de la sierra)
- B - Guideline (ligne de guidage, línea guía)
- C - 0° blade guide notch (encoche de guide de lame à 0°, muesca guía de la hoja a 0°)

Fig. 15



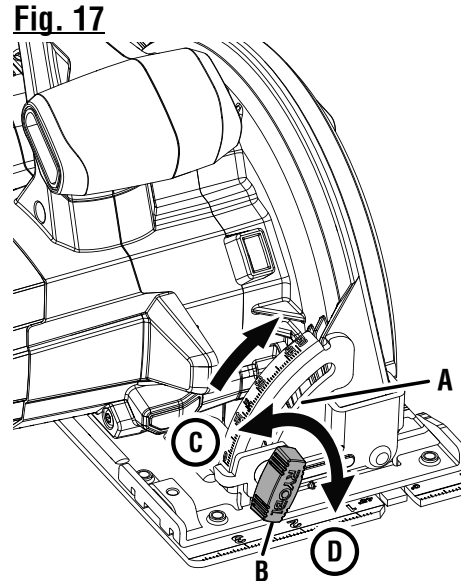
- A - Straight edge (règle, pieza recta)
- B - C-clamp (serre-joint, prensa en C)
- C - Workpiece (pièce, pieza de trabajo)

Fig. 16



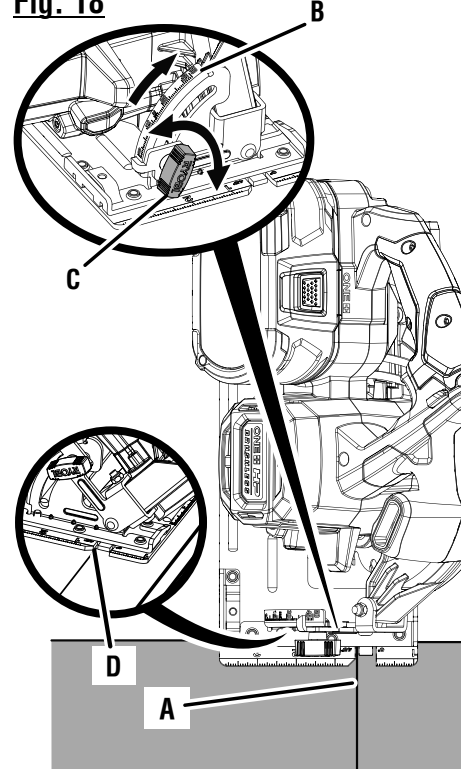
- A - Wing screw (not included) [vis papillon (non inclus), tornillo de mariposa (no incluye)]
- B - Edge guide (not included) [guide de chant (non inclus), guía de bordes (no incluye)]

Fig. 17



- A - Bevel scale (échelle de biseau, escala de bisel)
- B - Bevel lock knob (bouton de verrouillage de biseau, perilla de fijación del bisel)
- C - To loosen lock knob (pour desserrer le bouton de verrouillage, para vuelta a apretar la perilla de fijación)
- D - To tighten lock knob (pour serrez la manette de verrouillage, para apriete la perilla de bloqueo)

Fig. 18



- A - Guideline (ligne de guidage, línea guía)
- B - Bevel scale (échelle de biseau, escala de bisel)
- C - Bevel lock lever (levier de verrouillage de biseau, palanca de fijación del bisel)
- D - 45° blade guide notch (encoche de guide de lame à 45°, muesca guía de la hoja à 45°)

Fig. 19

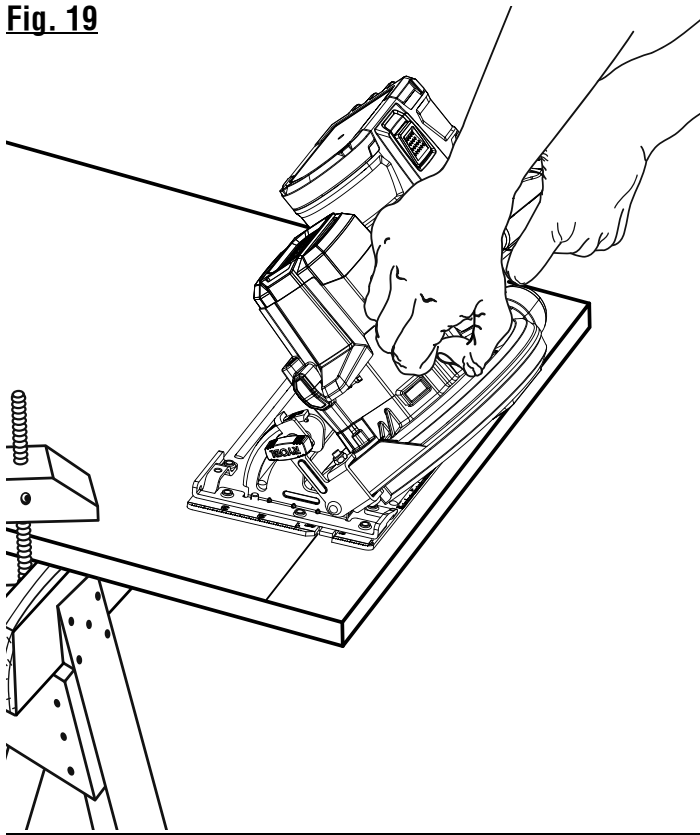
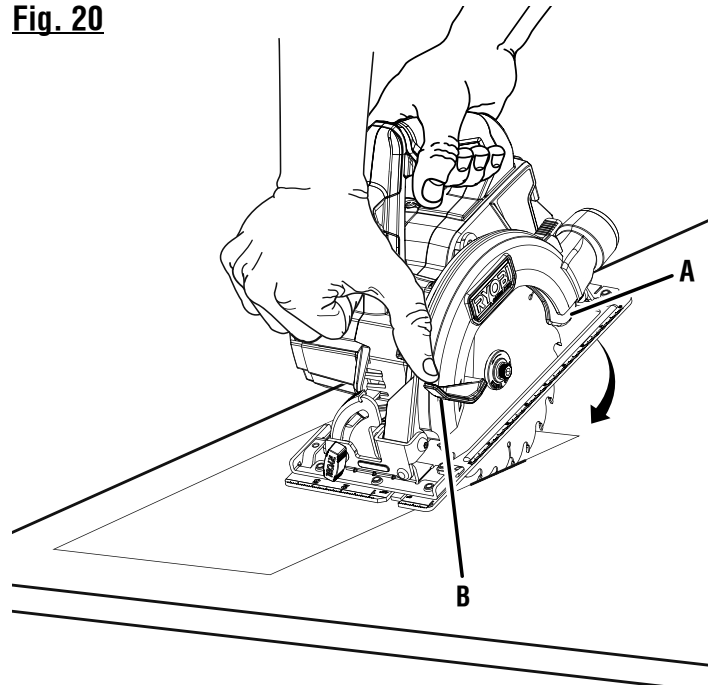
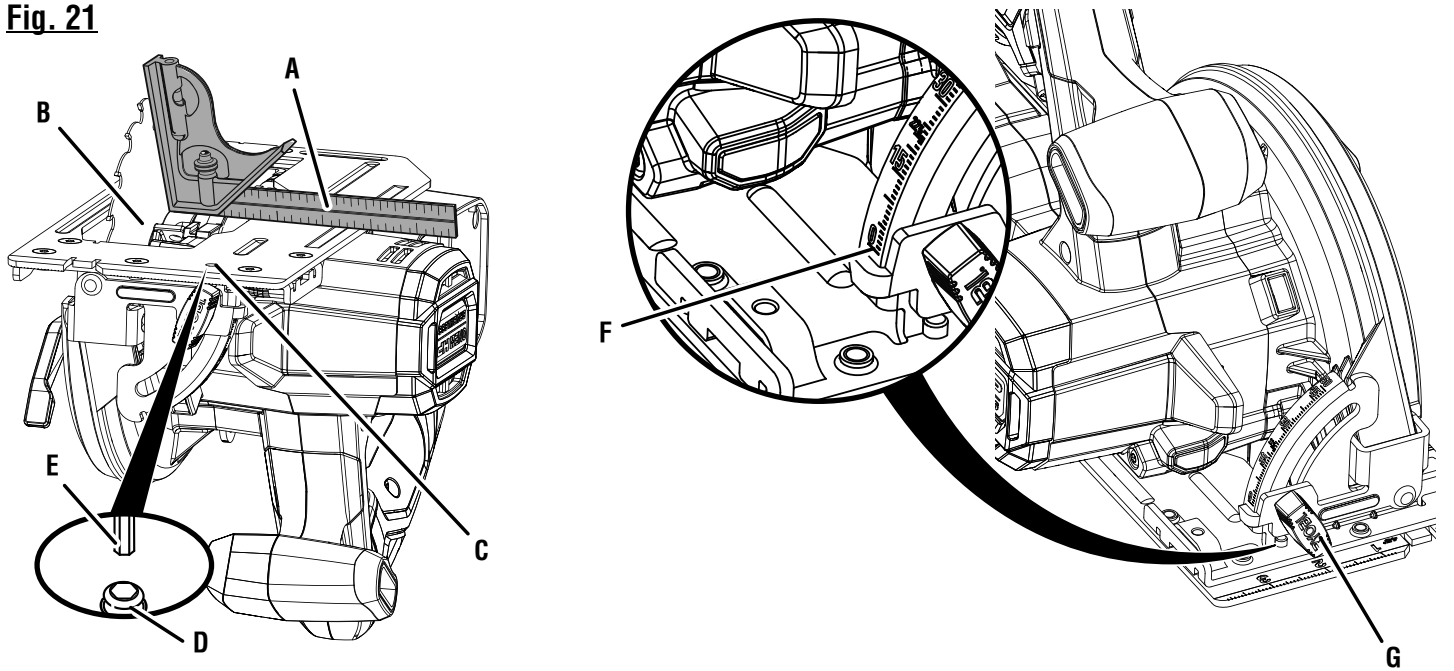


Fig. 20



- A - Lower blade guard (garde de lame inférieure, protección inferior de la hoja)
B - Lower blade guard handle (poignée de garde de lame inférieure, manija de la protección inferior de la hoja)

Fig. 21



- A - Combination square (équerre combinée, escuadra de carpintero)
B - Blade (lame, hoja)
C - Screw hole (orifice de las vis, agujero del tornillo)
D - Adjustment screw (vis de réglage, tornillo de ajuste)
E - 2.5 mm hex key (not included) [clé hexagonale de 2,5 mm (non inclus), llave hexagonal de 2,5 mm (no incluida)]
F - Positive 0° bevel stop (butée fixe de biseau à 0°, tope de biseau a 0°)
G - Bevel lock lever (levier de verrouillage de biseau, palanca de fijación del biseau)



OPERATOR'S MANUAL/6-1/2 in. 18 VOLT CIRCULAR SAW
MANUEL D'UTILISATION/165 mm (6-1/2 po) 18 V SCIE CIRCULAIRE
MANUAL DEL OPERADOR/165 mm (6-1/2 pulg.) 18 V SIERRA CIRCULAR
PSBCS01

To request service, purchase replacement parts,
locate an Authorized Service Center or obtain Customer or Technical Support:
Visit **www.ryobitools.com** or call **1-800-525-2579**

If any parts or accessories are damaged or missing, do not return this product to the store.
Call **1-800-525-2579** for immediate service.

Please obtain your model and serial number from the product data plate.
This product is covered under a 3-year limited Warranty. Proof of purchase is required.

MODEL NUMBER* _____ SERIAL NUMBER _____

**Model number on product may have additional letters at the end. These letters designate manufacturing information and should be provided when calling for service.*

RYOBI is a trademark of Ryobi Limited and is used pursuant to a license granted by Ryobi Limited.

Pour faire une demande de réparations ou obtenir des pièces de rechange, trouver un
Centre de réparations agréé pour obtenir un soutien technique ou le Service à la clientèle :
Visiter **www.ryobitools.com** ou en téléphonant au **1-800-525-2579**

Si des pièces ou accessoires sont manquantes ou endommagées, ne pas retourner
ce produit au magasin. Appeler immédiatement au **1-800-525-2579** pour obtenir de l'aide.

Inscrire les numéros de modèle et de série inscrits sur la plaque d'identification du produit.
Ce produit est couvert par une garantie limitée de trois (3) ans. Une preuve d'achat est exigée.

NUMÉRO DE MODÈLE* _____ NUMÉRO DE SÉRIE _____

**Le numéro de modèle sur le produit peut contenir des lettres supplémentaires à la fin. Ces lettres désignent les informations du fabricant et doivent être fournies lors d'un appel de demande de service.*

RYOBI est une marque de Ryobi Limited et est utilisée en vertu d'une licence accordée par Ryobi Limited.

Para obtener servicio, comprar piezas de repuesto, localizar un centro
de servicio autorizado y obtener Servicio o Asistencia Técnica al Consumidor:
Visite **www.ryobitools.com** o llame al **1-800-525-2579**

Si hay alguna pieza ou accesorios dañada o faltante, no devuelva este producto a la tienda.
Llame al **1-800-525-2579** para servicio técnico inmediato.

Obtenga su modelo y número de serie de la placa de datos del producto.
Este producto está cubierto con una garantía limitada de 3 años. Se solicita prueba de la compra.

NÚMERO DE MODELO* _____ NÚMERO DE SERIE _____

**El número de modelo que figura en el producto podría tener letras adicionales al final. Estas designan información de fabricación y deben suministrarse cuando llame para obtener asistencia o servicio.*

RYOBI es una marca de Ryobi Limited y se utiliza conforme a una licencia otorgada por Ryobi Limited.

TTI CONSUMER POWER TOOLS, INC.

P.O. Box 1288, Anderson, SC 29622 • Phone 1-800-525-2579
États-Unis, Téléphone 1-800-525-2579 • USA, Teléfono 1-800-525-2579

www.ryobitools.com