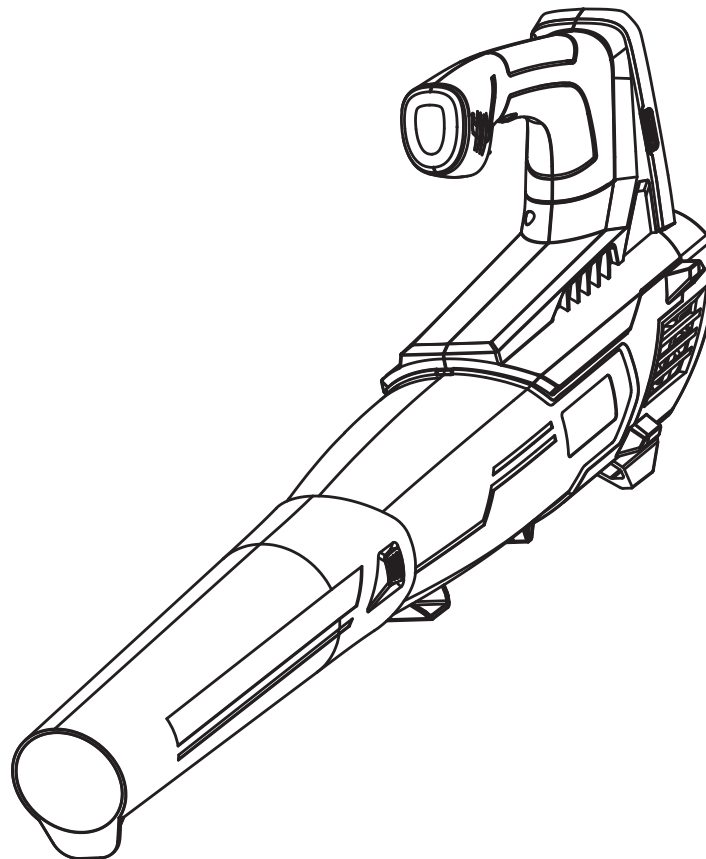


# REPAIR SHEET

BRAND <b>RYOBI</b>		DESCRIPTION  <b>18 Volt Blower</b>
MODEL NO. <b>P2108</b> <b>P21081</b> <b>P21081VN</b> <b>P21081VNM</b>	MFG. NO. <b>107267001</b> <b>107267003</b> <b>107267033</b> <b>107267101</b>	

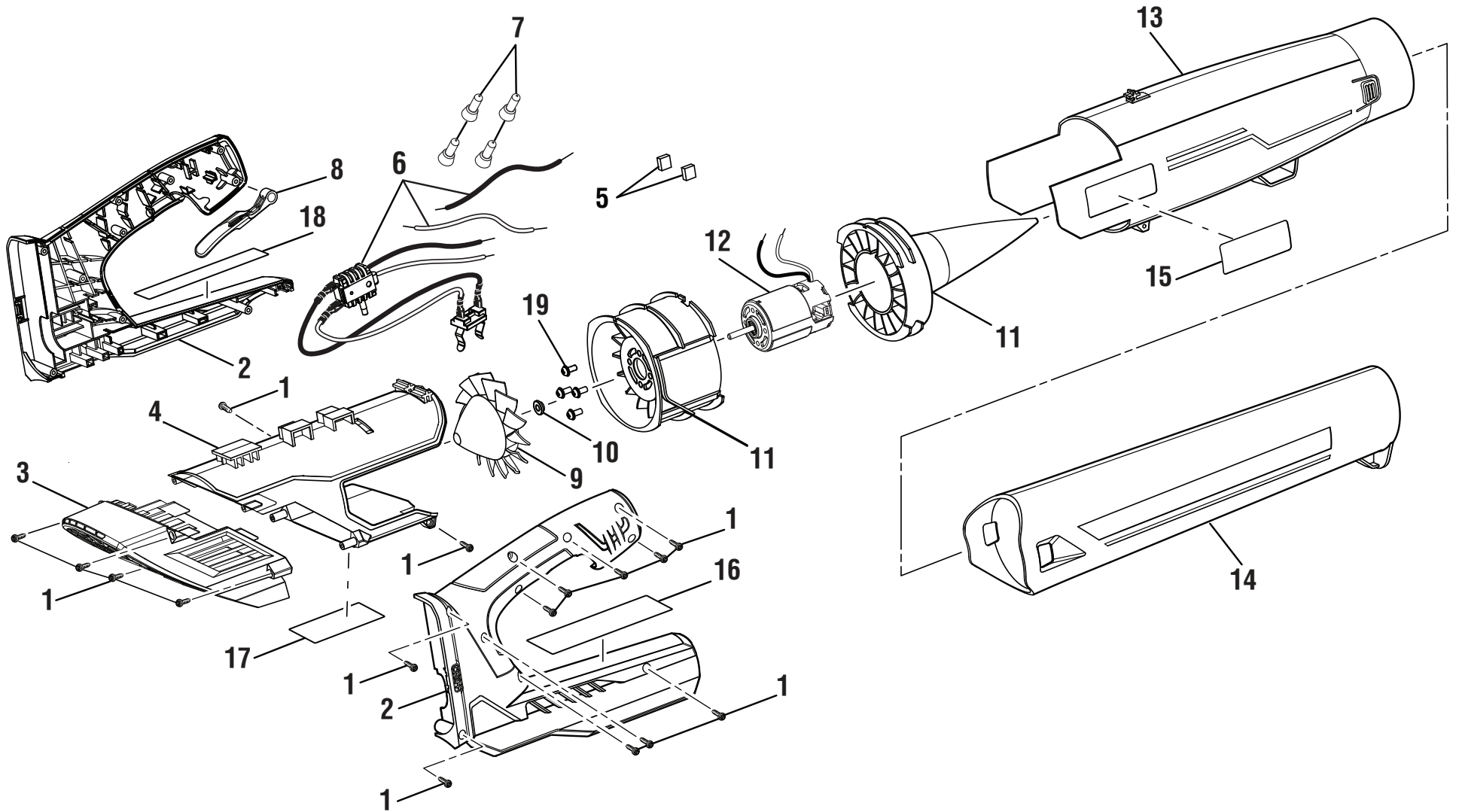


## TECHTRONIC INDUSTRIES POWER EQUIPMENT

P.O. Box 1288, Anderson, SC 29622 ■ 1-800-525-2579 ■ [www.ryobitools.com](http://www.ryobitools.com)

4-21-21 (Rev:07)

*The model number and manufacturing location will be found on a label attached to the product. Always mention this information in all communications regarding this product and when ordering parts.*





# P2108/P21081/21081VN/P21081VNM

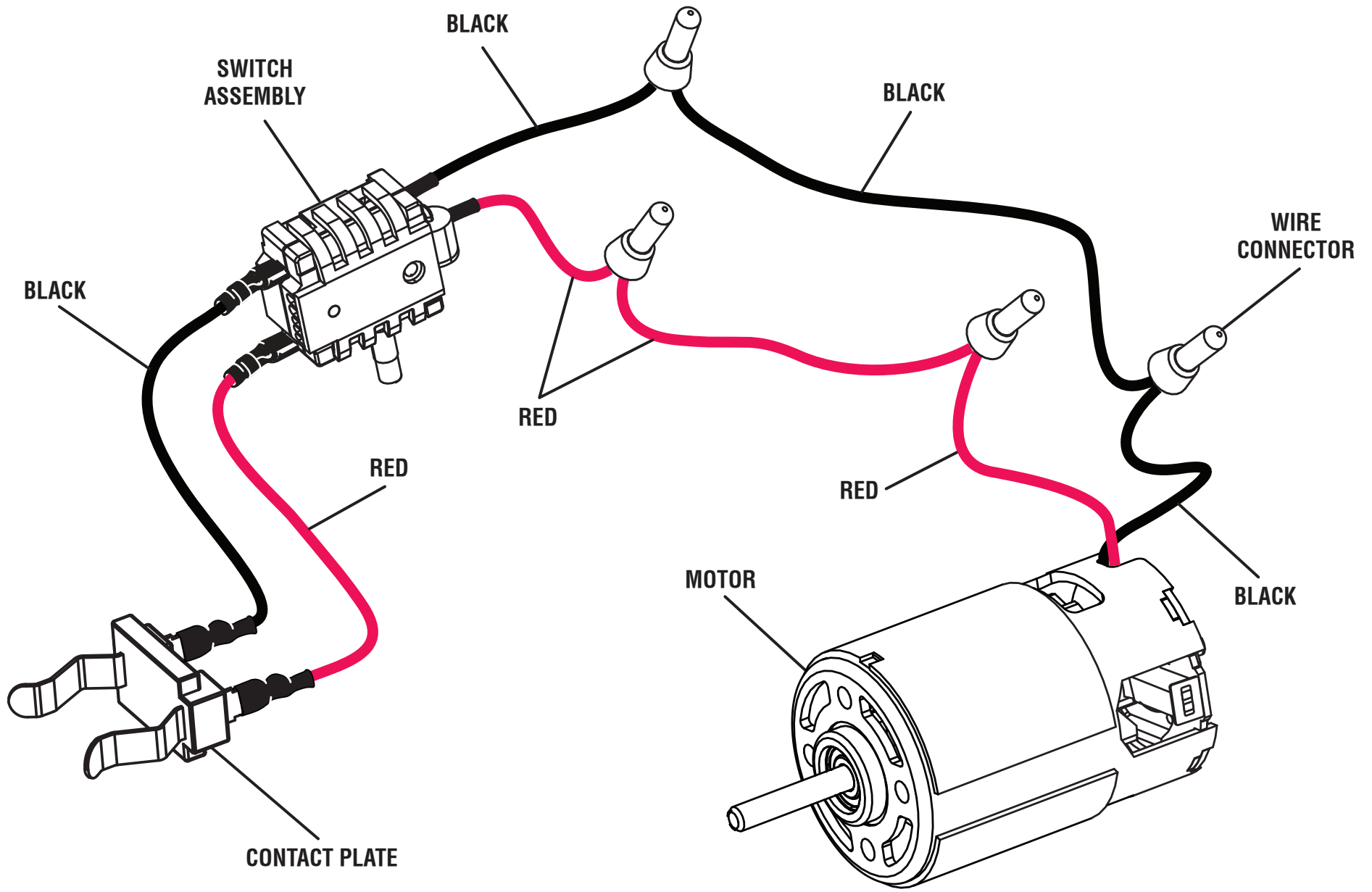
## PARTS LIST

KEY NO.	PART NO.	DESCRIPTION	QTY.
1	661817001	Screw (M4 x 14 mm, T15 Torx Pan Hd.)	16
2	330078001	Handle Assembly (Inc. Key Nos. 16 and18)	1
3	529436001	Inlet Guard (P2108/P21081VN)	1
	529436005	Inlet Guard (P21081/P21081VNM)	1
4	330080001	Inlet Housing Assembly (Inc. Key No. 17, P2108/P21081)	1
	205152001	Inlet Housing Assembly (Inc. Key No. 17, P21081VN)	1
	205208001	Inlet Housing Assembly (Inc. Key No. 17, P21081VNM)	1
5	563768002	Rubber Block	2
6	291632001	Switch and Contact Plate Assembly	1
7	790021001	Wire Connector	4
8	525552001	Trigger Assembly (Variable Speed)	1
9	529437004	Fan Blade	1
10	612854001	Bushing	1
11	351074001	Tail Cone Assembly	1

KEY NO.	PART NO.	DESCRIPTION	QTY.
12	742200001	Motor	1
13	330079001	Blower Housing Outlet Assembly (Inc. Key No. 15)	1
14	529431001	Blower Tube (P2108/P21081VN)	1
	529431004	Blower Tube (P21081/P21081VNM)	1
15	940705307	Logo Label	1
16	940657183	Warning Label	1
17	941588103	Data Label (P2108)	1
	941588169	Data Label (P21081)	1
	941588324	Data Label (P21081VN)	1
	941588675	Data Label (P21081VNM)	1
18	940657184	Warning Icon Label	1
19	660502002	Screw w/Washer (M5 x 11 mm, Pan Hd.)	4
	<b>Not Shown:</b>		
	991000679	Operator's Manual	



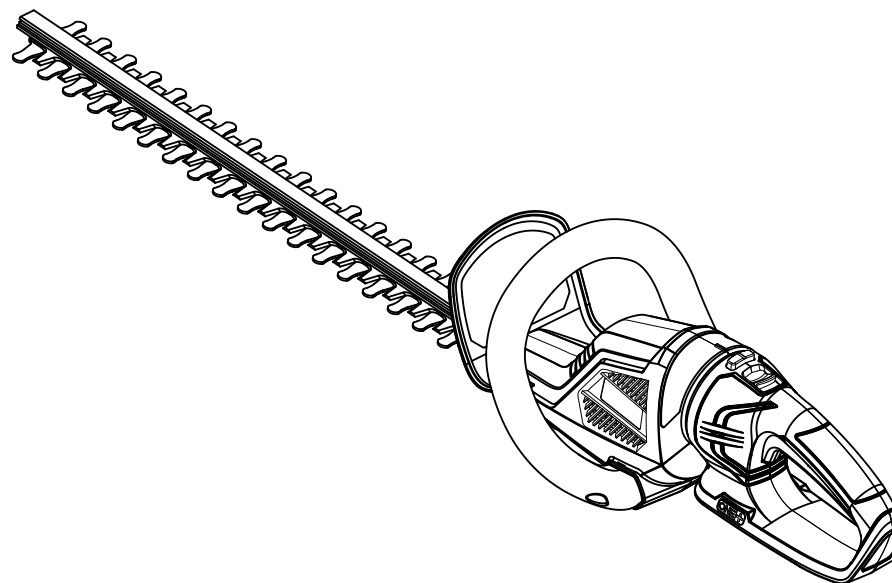
P2108/P21081/21081VN/P21081VNM



**WIRING DIAGRAM**

# REPAIR SHEET

BRAND <b>RYOBI</b>		DESCRIPTION <b>18 Volt Hedge Trimmer</b>
MODEL NO. <b>P2606</b> <b>P2606VNM</b>	MFG. NO. <b>107266001</b> <b>107266101</b>	

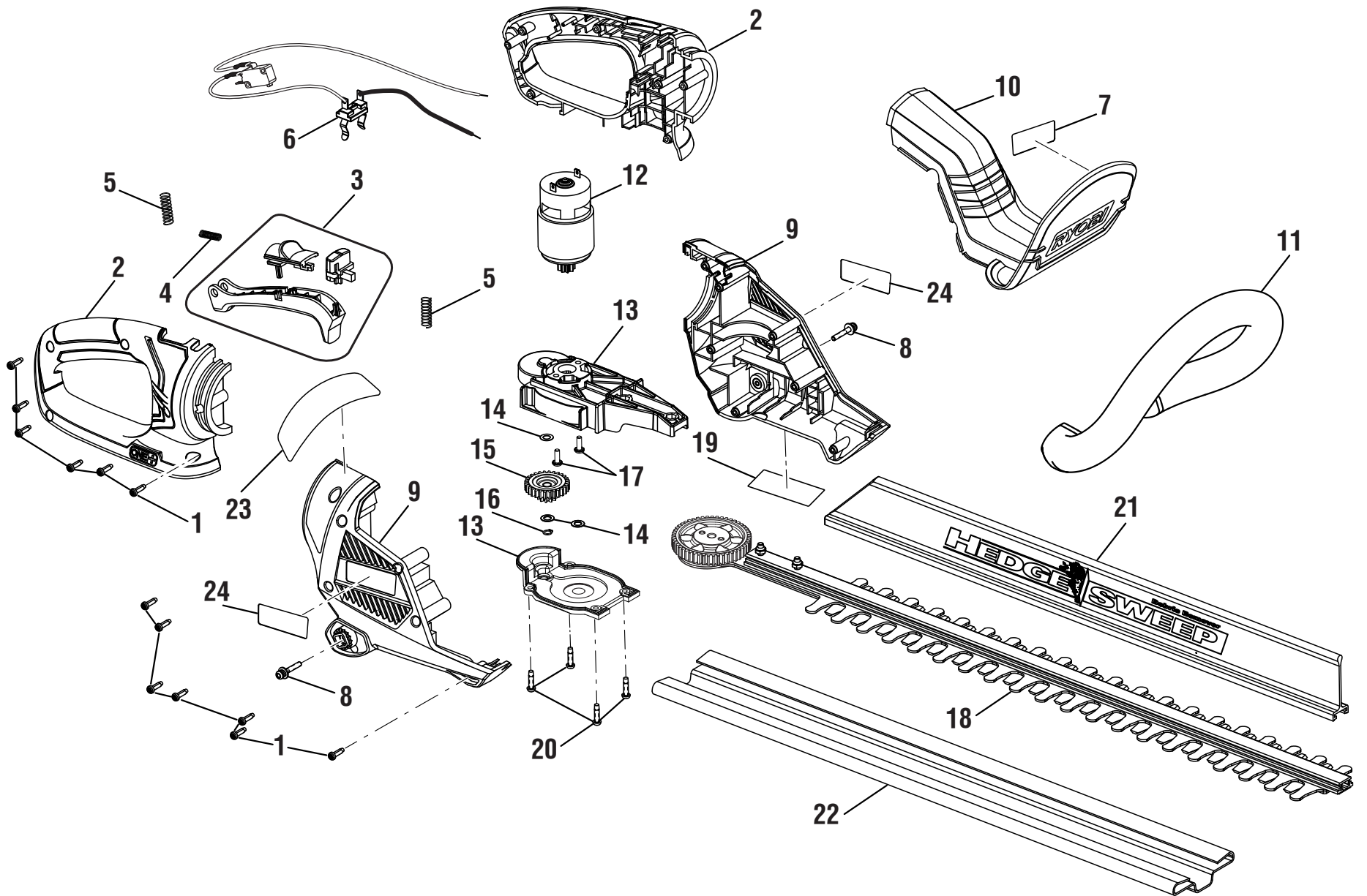


## TECHTRONIC INDUSTRIES POWER EQUIPMENT

P.O. Box 1288, Anderson, SC 29622 ■ 1-800-525-2579 ■ [www.ryobitools.com](http://www.ryobitools.com)

10-13-20 (Rev:03)

*The model number and manufacturing location will be found on a label attached to the product. Always mention this information in all communications regarding this product and when ordering parts.*



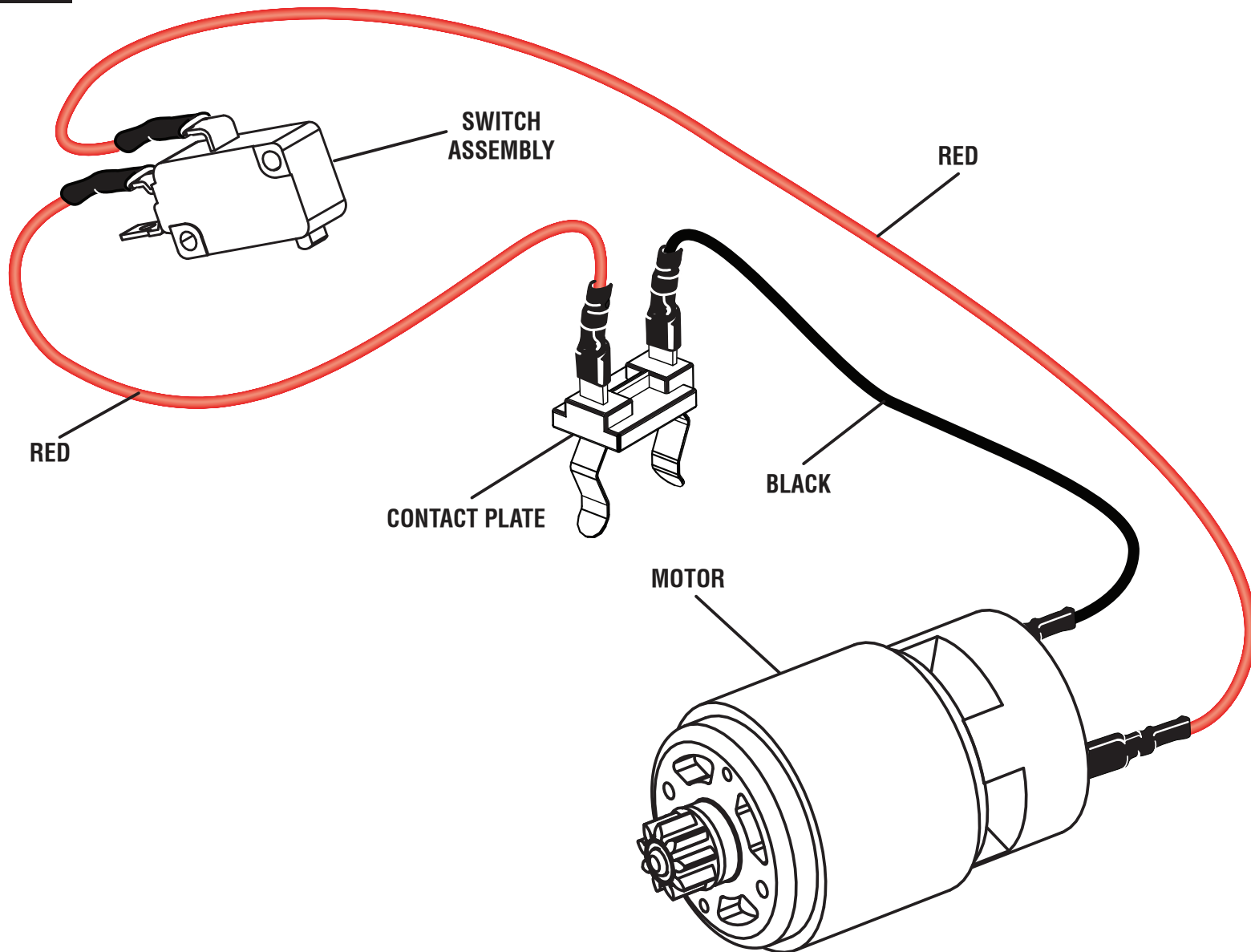


# P2606/P2606VNM

## PARTS LIST

KEY NO.	PART NO.	DESCRIPTION	QTY.
1	661817001	Screw (M4 x 14 mm, T15 Torx Pan Hd.)	13
2	311825001	Handle Assembly	1
3	311829001	Trigger Assembly	1
4	679055007	Compression Spring	1
5	679055008	Compression Spring	2
6	311827001	Wiring Harness	1
7	941769001	Warning Icon Label	1
8	660137010	Screw w/Washers (M4 x 26 mm, T15 Torx Pan Hd.)	2
9	311824001	Housing Assembly (Inc. Key Nos. 19, 23-24) (P2606)	1
	317346001	Housing Assembly (Inc. Key Nos. 19, 23-24) (P2606VNM)	1
10	317345001	Top Cover Assembly (Inc. Key No. 7)	1
11	529546001	Front Handle	1
12	311828001	Motor and Pinion Assembly	1
13	307878001	Gear Box w/Cover Assembly	1

KEY NO.	PART NO.	DESCRIPTION	QTY.
14	670914001	Washer (M6, OD11 x ID6.2 x 0.3t)	3
15	610114001	Center Gear	1
16	670704001	Retaining Ring	1
17	660137001	Screw w/Tooth Washer (M4 x 12 mm, Pan Hd.)	2
18	311826001	Blade Assembly	1
19	941588102	Data Label (P2606)	1
	941588558	Data Label (P2606VNM)	1
20	660208052	Screw (M4 x 16 mm, Pan Hd.)	4
21	526799004	Hedge Sweep	1
22	525406005	Blade Shield	1
23	940851647	Rotating Handle Label	1
24	940705490	Logo Label	2
	<b>Not Shown:</b>		
	991000689	Operator's Manual	



**WIRING DIAGRAM**