

**KITCHEN SINK FAUCET
K-15175**

ADA

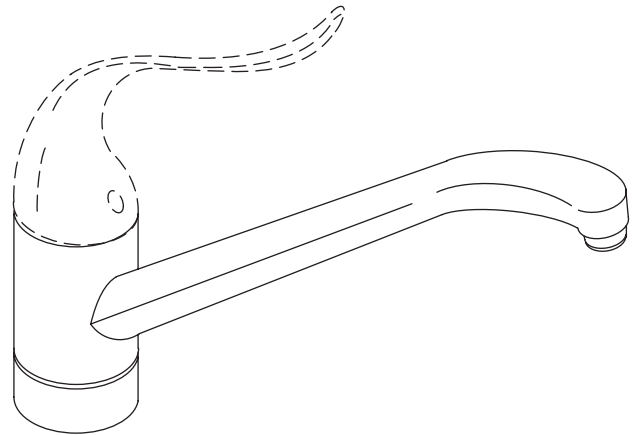
Features

- Metal construction
- One-piece, self-contained ceramic disc valve allows both volume and temperature control
- Temperature memory allows faucet to be turned on and off at any temperature setting
- High-temperature limit setting for added safety
- Available with an 8-1/2" (21.6 cm) or 10" (25.4 cm) swing spout reach
- Flexible supplies
- ADA compliant loop or lever handle

Codes/Standards Applicable

Specified model meets or exceeds the following at date of manufacture:

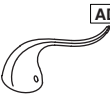
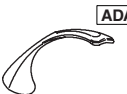
- ADA
- ASME A112.18.1/CSA B125.1
- ICC/ANSI A117.1
- Energy Policy Act of 1992
- NSF 61
- All applicable US Federal and State material regulations



Colors/Finishes

- CP: Polished Chrome
- Other: Refer to Price Book for additional colors/finishes

Specified Model

Model	Description	Lever Handle		Loop Handle	
		 ADA		 ADA	
K-15175-F	Kitchen sink faucet – with 8-1/2" (21.6 cm) swing spout reach	<input type="checkbox"/> CP			
K-15175-FL	Kitchen sink faucet – with 10" (25.4 cm) swing spout reach			<input type="checkbox"/> CP	<input type="checkbox"/> Other_____
K-15175-FT	Kitchen sink faucet – with 10" (25.4 cm) swing spout reach	<input type="checkbox"/> CP	<input type="checkbox"/> Other_____		

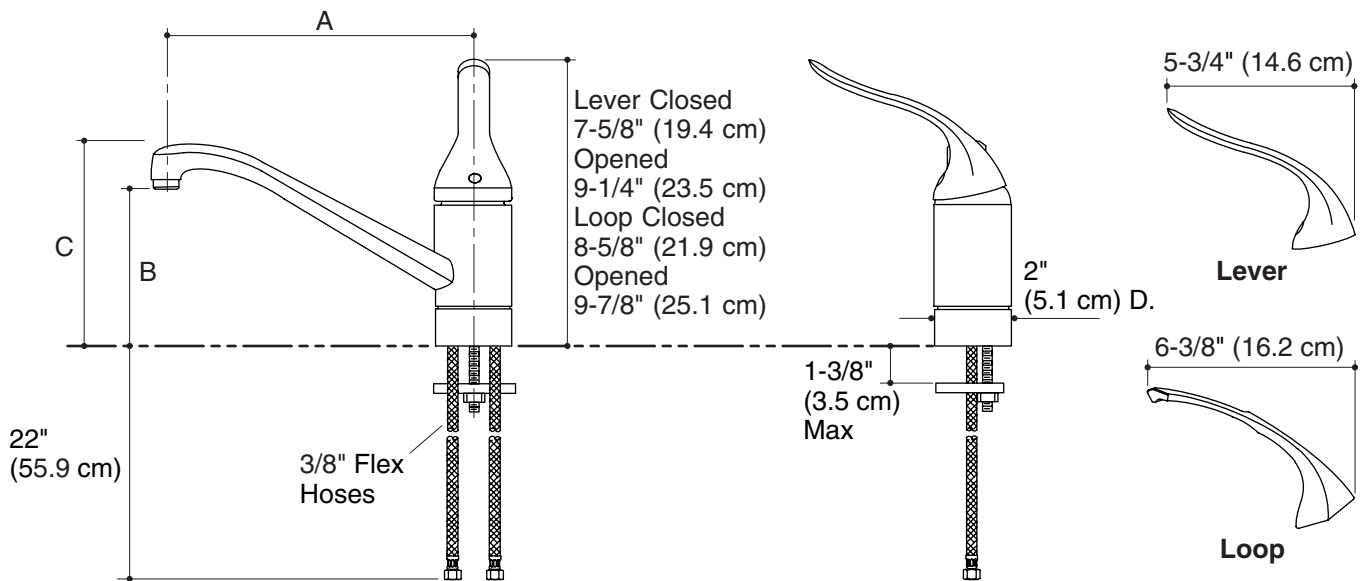
Product Specification

The single-control kitchen sink faucet shall be of metal construction. Product shall have a maximum flow rate of 2.2 gallons (8.3 L) per minute with lower flow aerator options available (refer to the Kohler Price Book). Product shall feature a one-piece, self-contained ceramic disc valve, which allows both volume and temperature control. Product shall feature temperature memory, allowing the faucet to be turned on and off at any temperature setting. Product shall feature high-temperature limit setting for added safety and flexible supplies. Product shall be available with an 8-1/2" (21.6 cm) or 10" (25.4 cm) swing spout reach. Product shall be available with an ADA compliant loop or lever handle. Faucet shall be Kohler Model K-15175-____-____.

CORALAIS®

Installation Notes

Install this product according to the installation guide.



	A	B	C
K-15175-F	8-1/2" (21.6 cm)	5-1/8" (13 cm)	6-1/4" (15.9 cm)
K-15175-FT, K-15175-FL	10" (25.4 cm)	6-1/4" (15.9 cm)	7-1/4" (18.4 cm)

Product Diagram