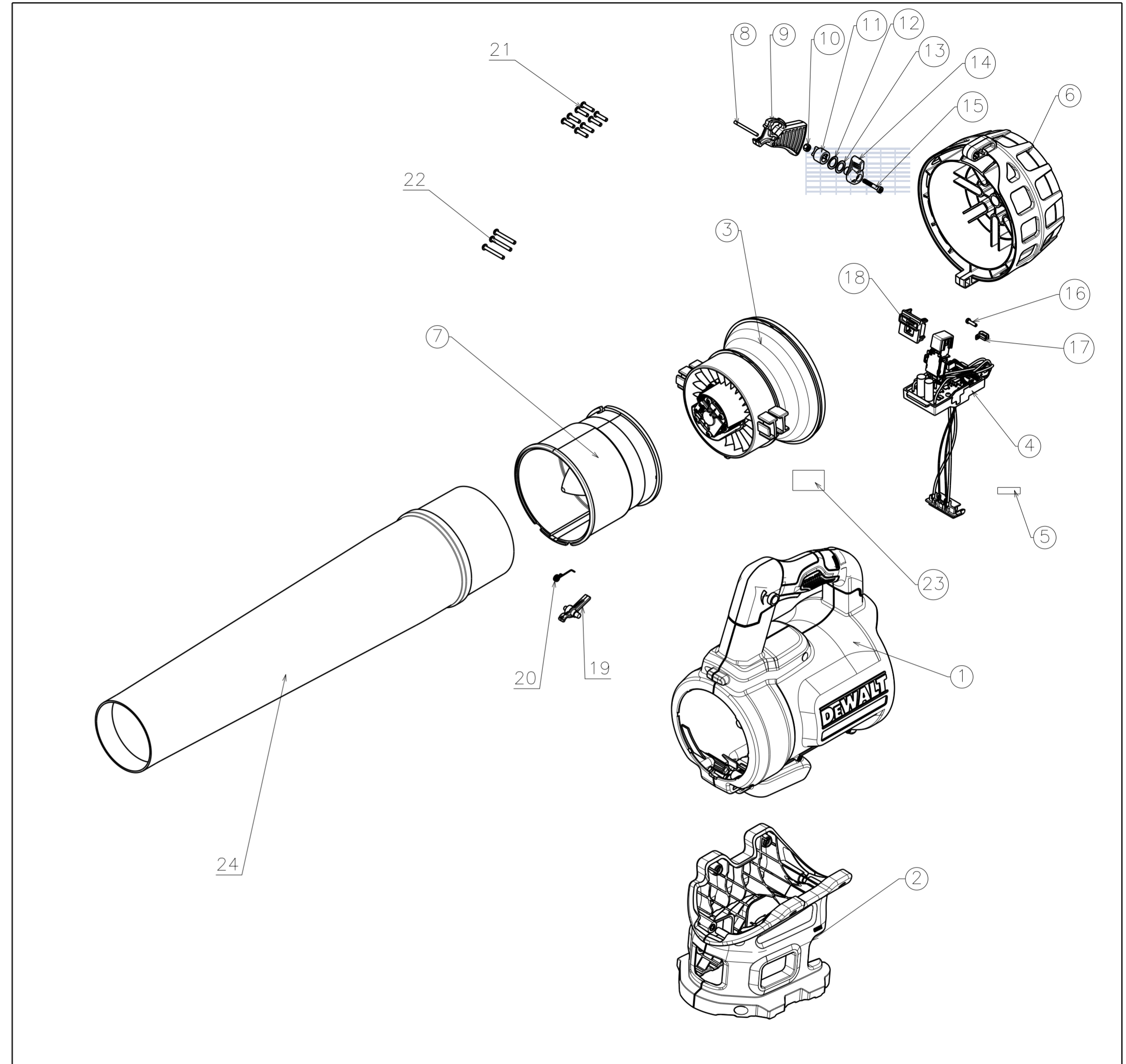


| FIND NO. | ITM NUMBER | DESCRIPTION | QTY | REMARK |
|----------|-------------|---------------------------------|-----|--------|
| 1 | ITM90613988 | SA HOUSING | 1 | |
| 2 | ITM90614957 | SA HOUSING, CAGE | 1 | |
| 3 | ITM90616334 | SA MOTOR AND BAFFLE | 1 | |
| 4 | ITM90616020 | MODULE ASSEMBLY, BLOWER | 1 | |
| 5 | ITM90620291 | TUBE, SHRINKABLE | 1 | |
| 6 | ITM90615033 | CAP, INLET VENT | 1 | |
| 7 | ITM90614111 | HOUSING, STATOR | 1 | |
| 8 | ITM90614091 | PIN, HEADLESS | 1 | |
| 9 | ITM90605685 | ACTUATOR, TRIGGER | 1 | |
| 10 | ITM90610773 | NUT, M4 NYLOCK | 1 | |
| 11 | ITM90605734 | ACTUATOR, SPEED CAM | 1 | |
| 12 | ITM90605688 | SPRING, CLUTCH | 1 | |
| 13 | ITM90608646 | WASHER, THRUST | 1 | |
| 14 | ITM90605686 | ACTUATOR, SPEED VARIABLE | 1 | |
| 15 | ITM90611827 | SCREW, CAP, SCKT HD, M4 X 25 | 1 | |
| 16 | 330019-31 | SCREW, PLSTC THD FORM M3X12 T10 | 1 | |
| 17 | ITM90611771 | CLIP, WIRE | 1 | |
| 18 | ITM90605114 | SUPPORT, SWITCH | 1 | |
| 19 | ITM90605748 | CLIP, TUBE | 1 | |
| 20 | ITM90609997 | SPRING, TORSION, TUBE LOCK | 1 | |
| 21 | ITM90611830 | SCREW, PLASTITE | 14 | |
| 22 | ITM90617442 | SCREW, PLASTITE | 3 | |
| 23 | ITM90620643 | PLASTIC, FOAM | 2 | |
| 24 | ITM90612994 | TUBE, BLOWER | 1 | |

NOTES:

1. ALL MATERIALS MUST COMPLY WITH ES100118.



| | | | |
|---|-------------------------|-------------------------------|--|
| | TOL UNLESS SPECIFIED | BLACK & DECKER INC. | |
| | 0 & 1 PLC DEC: ± 0.5 | DOC NO: DOC90392266 | |
| | 2 PLC DEC: ± 0.20 | TITLE: SERVICE BOM, DCBL720P1 | |
| | ANGLES: ± 1.0° | REVISION: *** VER/ITER: *** | |
| <small>THIS DOCUMENT IS THE PROPERTY OF BLACK & DECKER INC. THE CONTENTS OF THIS DOCUMENT ARE CONFIDENTIAL AND CONSTITUTE TRADE SECRETS PROPRIETARY TO BLACK & DECKER INC. NEITHER THIS DOCUMENT NOR ITS CONTENTS SHALL BE DISCLOSED TO ANY UNAUTHORIZED PERSON. COPIED OR PUBLISHED WITHOUT PRIOR WRITTEN CONSENT OF BLACK & DECKER INC.</small> | ALL DIMENSIONS mm | CHANGE: *** REFER TO PDF *** | |
| | SIZE: A2 REF SCALE: 1:4 | | |
| | SHEET: 1 OF 1 | | |