

If you have questions or comments, contact us.

Pour toute question ou tout commentaire, nous contacter.

Si tiene dudas o comentarios, contáctenos.

855-805-5745 • www.dewalt.com

**INSTRUCTION MANUAL
GUIDE DE UTILISATION
MANUAL DE INSTRUCCIONES**

DEWALT®

**Forced Air Propane Construction Heater DXH65FAV, DXH90FAV
Forced Air Propane Chauffage-Construcción DXH65FAV, DXH90FAV
Propano forzado calentador Construcción Aire DXH65FAV, DXH90FAV**

2017- 40797 CB

READ INSTRUCTIONS CAREFULLY: Read and follow all instructions. Place instructions in a safe place for future reference. Do not allow anyone who has not read these instructions to assemble, adjust or operate the heater.

VEUILLEZ LIRE ATTENTIVEMENT LES INSTRUCTIONS : Lisez et observez toutes les instructions. Conservez ces instructions dans un endroit sûr pour vous y référer ultérieurement. Interdisez à quiconque n'ayant pas lu les présentes directives d'assembler, de régler ou de faire fonctionner cette fournaisé.

LEA CUIDADOSAMENTE LAS INSTRUCCIONES: Lea y siga todas las instrucciones. Conserve estas instrucciones en un lugar seguro para futura referencia. No permita que nadie que no haya leído estas instrucciones arme, ajuste o use el calentador.

Definitions: Safety Guidelines

The definitions below describe the level of severity for each signal word. Please read the manual and pay attention to these symbols.

- ▲ **DANGER:** Indicates an imminently hazardous situation which, if not avoided, **will** result in **death or serious injury**.
- ▲ **WARNING:** Indicates a potentially hazardous situation which, if not avoided, **could** result in **death or serious injury**.
- ▲ **CAUTION:** Indicates a potentially hazardous situation which, if not avoided, **may** result in **minor or moderate injury**.
- ▲ **NOTICE:** Indicates a practice not related to personal injury which, if not avoided, **may** result in **property damage**.

▲ **WARNING: DO NOT OPERATE THIS HEATER UNTIL YOU READ AND UNDERSTAND THIS INSTRUCTION MANUAL FOR SAFETY, OPERATION, AND MAINTENANCE INSTRUCTIONS. PLACE INSTRUCTIONS IN A SAFE PLACE FOR FUTURE REFERENCE.**

▲ **WARNING:**

Failure to comply with the precautions and instructions provided with this heater, can result in death, serious bodily injury and property loss or damage from hazards of fire, explosion, burn, asphyxiation, carbon monoxide poisoning, and/or electrical shock.

Only persons who can understand and follow the instructions should use or service this heater.

▲ **DANGER: CARBON MONOXIDE CAN KILL YOU**

This heater produces carbon monoxide. Do not use in occupied spaces. Ventilate building, room or other enclosed spaces where heater has been used before entering. Never use in a vehicle, camper or tent.

▲ **WARNING:**

Not for home or recreational vehicle use. Do not use to cook or warm food.

▲ **WARNING:**

Fire, burn, inhalation, and explosion hazard. Keep solid combustibles, such as building materials, paper or cardboard, a safe distance away from the heater as recommended by the instructions. Never use the heater in spaces which do or may contain volatile or airborne combustibles, or products such as gasoline, solvents, paint thinner, dust particles or unknown chemicals.

▲ **WARNING: IF THE INFORMATION IN THIS MANUAL IS NOT FOLLOWED EXACTLY, A FIRE OR EXPLOSION MAY RESULT CAUSING PROPERTY DAMAGE, PERSONAL INJURY OR LOSS OF LIFE.**

- Do not use gasoline or other flammable vapors or liquids in the vicinity of this or any other appliance.
- An LP cylinder not connected for use shall not be stored in the vicinity of this or any other appliance.
- WHAT TO DO IF YOU SMELL GAS:
 - Do not try to light appliance.
 - Extinguish any open flame.
 - Shut off gas to appliance.
- Service must be performed by a qualified service agency.

▲ **WARNING:**

Combustion byproducts produced when using this product contain carbon monoxide, a chemical known to the State of California to cause cancer and birth defects (or other reproductive harm).

This product contains chemicals known to the State of California to cause cancer and birth defects or other reproductive harm.

▲ **WARNING: RISK OF ELECTRICAL SHOCK**

- Plug power cord into a properly grounded 3-wire receptacle.
- Do not operate in wet or damp conditions.

CONTENTS

- WARNINGS 2-3
- HEATER SPECIFICATIONS 3
- OPERATING PRECAUTIONS 4
- SAFETY PRECAUTIONS 4
- ODOR FADE WARNING 5-6
- OPERATING INSTRUCTIONS 6
- MAINTENANCE, STORAGE AND SERVICE 7
- WIRING DIAGRAMS 8
- PARTS LISTS/EXPLODED VIEWS 9-12
- WARRANTY 13
- INSTRUCTIONS FOR ORDERING PARTS 13

▲ WARNING: RISK OF FIRE OR EXPLOSION

- Do not store or use gasoline or other flammable vapors and liquids in the vicinity of this or any other appliance.
- WHAT TO DO IF YOU SMELL GAS:
 - Open windows.
 - **DO NOT** try to light any appliance.
 - **DO NOT** operate any electrical switches.
 - **DO NOT** use any telephone in building. Immediately call the local gas supplier from an outside telephone. Follow the gas supplier's instructions.
 - **DO NOT** touch any electrical switch; do not use any phone in your building.
 - If you cannot reach your gas supplier, call the Fire Department.

SPECIFICATIONS

Type of Gas: For use with Propane Only
 Gas Supply Pressure
 to regulator Max.: Bottle Pressure
 to regulator Min.: 20 psig (137.9 kPa)
 regulator out 20" W.C. (137.9 kPa)

Electrical Input: 115V, 60 Hz, 1Ø, 3a
 Min. Operating Voltage: 100V

Ignition: Direct Spark

Primary
 Flame Control: Thermocouple Operated Gas Valve

High Temperature
 Control: 240°F (116°C)

Min. Ambient Temp. Rating 0°F (-17.8°C)

Specifications

Model:	DXH65FAV	DXH90FAV
Rating:	30,000 - 65,000 Btu/Hr (8.8 – 19.0 kW)	50,000 - 90,000 Btu/Hr (14.6 – 25.0 kW)
Fuel Consumption:	1.4 – 2.5 #/hr (.64 – 1.1 kg/hr)	2.3 – 3.9 #/hr (1.04 – 1.77 kg/hr)
Fuel Orifice Size	0.50 mm	0.60 mm

Operating Precautions

▲ WARNING

This is a propane, direct-fired, forced air heater. It's intended use is primarily temporary heating of buildings under construction, alteration or repair.

Direct-Fired means that all of the combustion products enter the heated space. Even though this heater operates very close to 100 percent combustion efficiency, it still produces small amounts of carbon monoxide. Carbon monoxide (called CO) is toxic. CO can build up in a heated space and failure to provide adequate ventilation could result in death. The symptoms of inadequate ventilation are:

- headache • dizziness
- burning eyes and nose • nausea
- dry mouth or sore throat

Be sure to follow advice about ventilation in the Safety Precautions section.

Forced Air means that a blower or fan pushes the air through the heater. Proper combustion depends upon this air flow; therefore, the heater must not be revised, modified or operated with parts removed or missing. Likewise, safety systems must not be circumvented or modified in order to operate the heater. When the heater is to be operated in the presence of other people the user is responsible for properly acquainting those present with the safety precautions and instructions, and of the hazards involved.

Safety Precautions

▲ WARNING

1. Check the heater thoroughly for damage. DO NOT operate a damaged heater.
2. DO NOT modify the heater or operate a heater which has been modified from its original condition.
3. Use only propane gas.
4. Use only VAPOR WITHDRAWAL propane supply. If there is any question about vapor withdrawal, ask your propane dealer.
5. Mount the propane cylinders vertically (shutoff valve up). Secure them from falling or being knocked over and protect them from damage.
6. Locate propane containers at least (USA) 7 ft. (2.13m), (Canada) 10 ft. (3m) from the heater and do not direct exhaust toward containers.

7. **IMPORTANT** Use only the hose and regulator assembly provided with the heater. Match the color stripe on the hangtag attached to the hose assembly with the color on the label located near the propane inlet fitting on the heater. Inspect hose assembly before each use of the heater. If there is excessive abrasion or wear, or hose is cut, replace with hose assembly listed on parts list before using heater.
8. For indoor use only. Area must be well ventilated. **Figure 1.** (also see "Operating Precautions").
9. If at any time gas odor is detected, **IMMEDIATELY DISCONTINUE** operation until the source of gas has been located and corrected. Read Odor Fade and Propane information on page 5, for additional information about detecting propane leaks.
10. Install the heater such that is not directly exposed to water spray, rain and/or dripping water.
11. Maintain minimum clearance from normal combustible material (like paper). **Figure 2.**
12. Due to the high surface and exhaust temperatures, adults and children must observe clearances to avoid burns or clothing ignition.
13. Operate only on a stable, level surface.
14. Do not use with duct work. Do not restrict inlet or exit.
15. Use only the electrical power specified. The electrical connection and grounding must comply with National Electrical Code - ANSI/NFPA 70 (USA) and CSA C22.1 Canadian Electrical Code, Part 1 (Canada).
16. Use only a properly grounded 3-prong receptacle or extension cord.
17. Do not move, handle or service while hot or burning.
18. Use only in accordance with local codes or, in the absence of local codes, with the Standard for the Storage and Handling of Liquefied Petroleum Gases ANSI/NFPA 58 and CSA B149.1, Natural Gas and Propane Installation Code.

Figure 1

VENTILATION: Minimum openings required

Heater	Opening near floor	Opening near ceiling
Forced air (DXH65FAV, DXH90FAV).....	2 ft ²	2 ft ²

Figure 2

MINIMUM CLEARANCE: From normal combustible material

Clearance	DXH65FAV	DXH90FAV
From floor.....	0 ft.....	0 ft.....
.....
From outlet.....	8 ft.....	8 ft.....
From sides	3 ft.....	3 ft.....
From top	6 ft.....	6 ft.....

Locate 10 ft. from canvas or plastic tarpaulins or similar coverings and secure them to prevent flapping or movement due to wind action.

▲ WARNING: RISK OF ASPHYXIATION

- Do not use in unventilated areas.
- The flow of combustion and ventilation air must not be obstructed.
- Proper ventilation air must be provided to support the combustion air requirements of the heater being used.
- Refer to the specification section of the heater’s manual, heater dataplate, or contact the factory to determine combustion air ventilation requirements of the heater.
- Lack of proper ventilation air will lead to improper combustion.
- Improper combustion can lead to carbon monoxide poisoning leading to serious injury or death. Symptom of carbon monoxide poisoning can include headaches, dizziness and difficulty in breathing.

Fuel Gas Odor – Fuel Leaks

▲ WARNING

LP gas and natural gas have man-made odorants added specifically for detection of fuel gas leaks. If a gas leak occurs you should be able to smell the fuel gas. Since Propane (LP) is heavier than air you should smell for the gas odor low to the floor. **ANY GAS ODOR IS YOUR SIGNAL TO TAKE IMMEDIATE ACTION!**

Odor Fade Warning

- Do not take any action that could ignite the fuel gas. Do not operate any electrical switches. Do not plug in or disconnect any power supply or extension cords. Do not light matches or any other source of flame. Do not use your telephone.
- Get everyone out of the building and away from the area immediately.
- Close all propane (LP) gas tank or cylinder fuel supply valves, or the main fuel supply valve located at the meter if you use natural gas.
- Propane (LP) gas is heavier than air and may settle in low areas. When you have reason to suspect a propane leak, keep out of all low areas.
- Use your neighbor’s phone and call your fuel gas supplier and your fire department. Do not re-enter the building or area.
- Stay out of the building and away from the area until declared safe by the firefighters and your fuel gas supplier.
- FINALLY, let the fuel gas service person and the firefighters check for escaped gas. Have them air out the building and area before you return. Properly trained service people must repair any leaks, check for further leakages, and then relight the appliance for you.

Odor Fading – No Odor Detected

- Some people cannot smell the odor of the man-made chemical added to propane (LP) or natural gas. You must determine if you can smell the odorant in these fuel gases.
- Learn to recognize the odor of propane (LP) gas and natural gas. Local propane (LP) gas dealers will be more than happy to give you a scratch and sniff pamphlet. Use it to become familiar with the fuel gas odor.
- Smoking can decrease your ability to smell. Being around an odor for a period of time can affect your sensitivity to that particular odor. Odors present in animal confinement buildings can mask fuel gas odor.

- **The odorant in propane (LP) gas and natural gas is colorless and the intensity of its odor can fade under some circumstances.**
- If there is an underground leak, the movement of gas through the soil can filter out the odorant.
- Propane (LP) gas odor may differ in intensity at different levels. Since Propane (LP) gas is heavier than air, there may be more odor at lower levels.
- **Always be sensitive to the slightest gas odor.** If you continue to detect any gas odor, no matter how small, treat it as a serious leak. Immediately go into action as discussed previously.
- A periodic sniff test around the heater or at the heater's joints; i.e. hose, connections, etc., is a good safety practice under any conditions. If you smell even a small amount of gas, CONTACT YOUR FUEL GAS SUPPLIER IMMEDIATELY.

Operating Instructions

PREPARING FOR OPERATION

1. Check the heater for possible shipping damage. If any is found, immediately notify the factory.
2. Follow all of the "Precautions".
3. Connect the POL fitting of hose and regulator assembly to the propane cylinder by rotating the POL nut counterclockwise into the propane cylinder's valve outlet and securely tighten with a wrench.
4. Connect the hose to the heater by rotating the hose fitting clockwise.
5. Securely tighten all gas connections.
6. Open the cylinder's gas valve and check all gas connections with a soap and water solution. DO NOT USE A FLAME.
7. Connect power cord to well-grounded 115V, 60 Hz, 1Ø source of power.
8. When using an extension cord, make certain that it is a 3-wire (grounded) cord of proper wire size.

START

1. Before heater ignition, always allow heater fan (blower) to run for 20 seconds to purge fuel.
2. Slowly open the main valve at propane cylinder.
3. Depress the fuel valve button to light the heater.
4. After the heater lights, keep the gas valve button depressed for 15 seconds then release and the heater will continue to operate.
5. Adjust burn rate by setting control knob to desired level.
6. Igniter continues to fire as long as power cord is plugged in.
7. No thermostat can be used with these units.

STOP

1. Securely close valve on the propane cylinder.
2. Continue to operate heater until all fuel in the hose has burned.
3. Unplug the power cord.

RESTART AFTER SAFETY SHUTDOWN

1. Securely close valve at propane cylinder. Unplug heater.
2. Wait 5 minutes.
3. Restart following "Start" procedure.

MAINTENANCE AND STORAGE

1. The heater should be inspected before each use, and at least annually by a qualified person.
2. Before each use, check the soft "O" ring seal at the bullnose of the POL fitting. If the "O" ring is cut, scuffed, or otherwise damaged, replace it with part number 73786.
3. Turn off the gas at the LP-gas supply cylinder(s) when the heater is not in use.
4. When the heater is to be stored indoors, the connection between the LP-gas supply cylinder(s) and the heater must be disconnected and the cylinder(s) removed from the heater and stored out of doors and in accordance with Chapter 5 of the standard for Storage and Handling of Liquefied Petroleum Gases ANSI/NFPA 58 and CSA B149.1, Natural Gas and Propane Installation Code.

Size and Capacity of Propane Cylinders Required

The charts on the following page show the approximate size of the cylinder required for these heaters. To use the chart:

1. Select the lowest air temperature expected (at the bottom of the chart).
2. Move straight up to time of operation desired (left side of chart).
3. Read the cylinder size required.

All heaters should have:

- full cylinders
- good air circulation
- no frost on cylinders

Servicing

A hazardous condition may result if a heater is used that has been modified or is not functioning properly. When the heater is working properly:

- The flame is contained within the heater.
- The flame is essentially blue with perhaps some yellow tipping.
- There is no strong disagreeable odor, eye burning or other physical discomfort.
- There is no smoke or soot internal or external to the heater.
- There are no unplanned or unexplained shut downs of the heater.

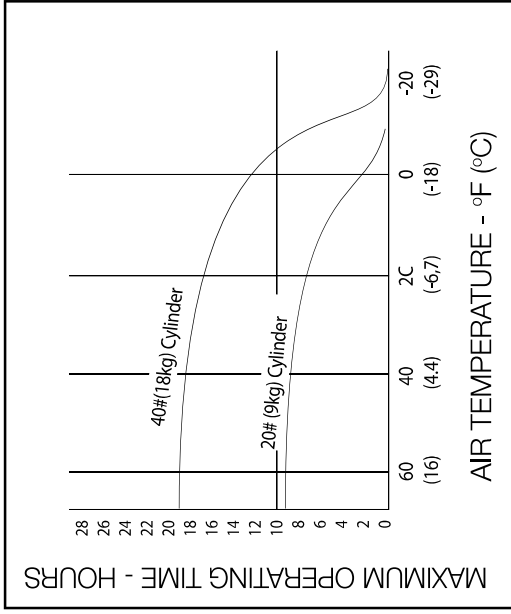
The parts lists and wiring diagram show the heater as it was constructed. Do not use a heater which is different from that shown. In this regard, use only the hose, regulator and cylinder connection fitting (called a POL fitting) supplied with the heater. **IMPORTANT** Match the color stripe on the hangtag attached to the hose assembly with the color on the label located near the propane inlet fitting on the heater. Do not use alternates. For this heater, the regulator must be set as shown in "specifications". If there is any uncertainty about the regulator setting, have it checked.

A heater which is not working right must be repaired, but only by a trained, experienced service person.

In-warranty products will be repaired with no charge for either parts or labor. Please include a brief statement indicating date, place of purchase, the nature of the problem and proof of purchase.

Out-of-warranty products will be repaired with a charge for parts and labor.

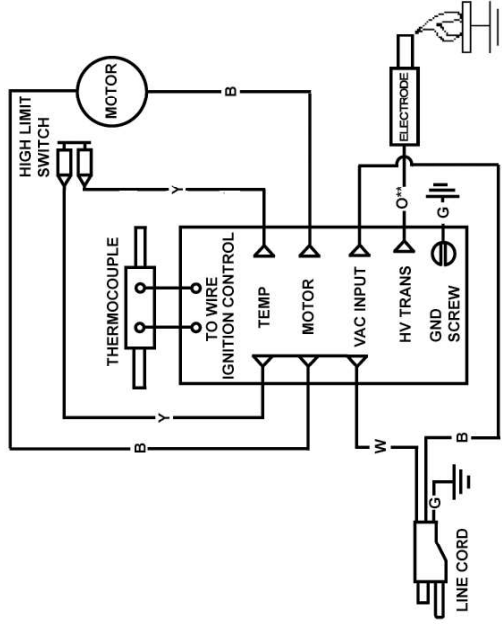
65,000 BTU/HR (16.1 kW)



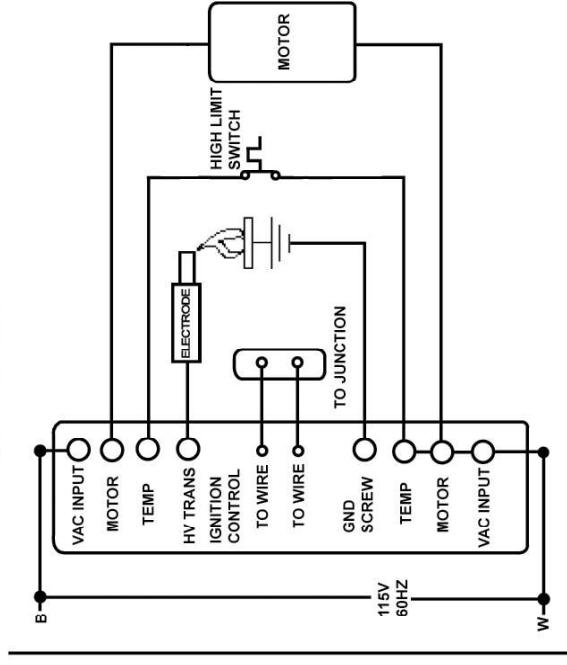
Wiring Diagrams DXH65FAV/DXH90FAV

NOTE: If any original wiring as supplied with the heater, must be replaced, it must be replaced with Type AWG 105° C wire or its equivalent, except as indicated (Type SF 2.200, **SGI-250° C)

CONNECTION DIAGRAM

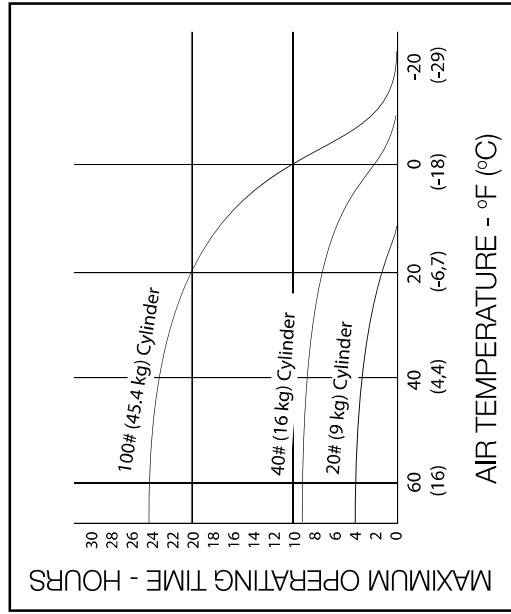


SCHEMATIC DIAGRAM



COLOR CODE	LEGEND
B BLACK	R RED
W WHITE	Y YEL
G GREEN	O ORG
	♀ FEMALE CONN.
	♂ RING CONN.

90,000 BTU/HR (33.4 kW)



Color Length

Yellow 18" (406mm)
Yellow 18" (406mm)

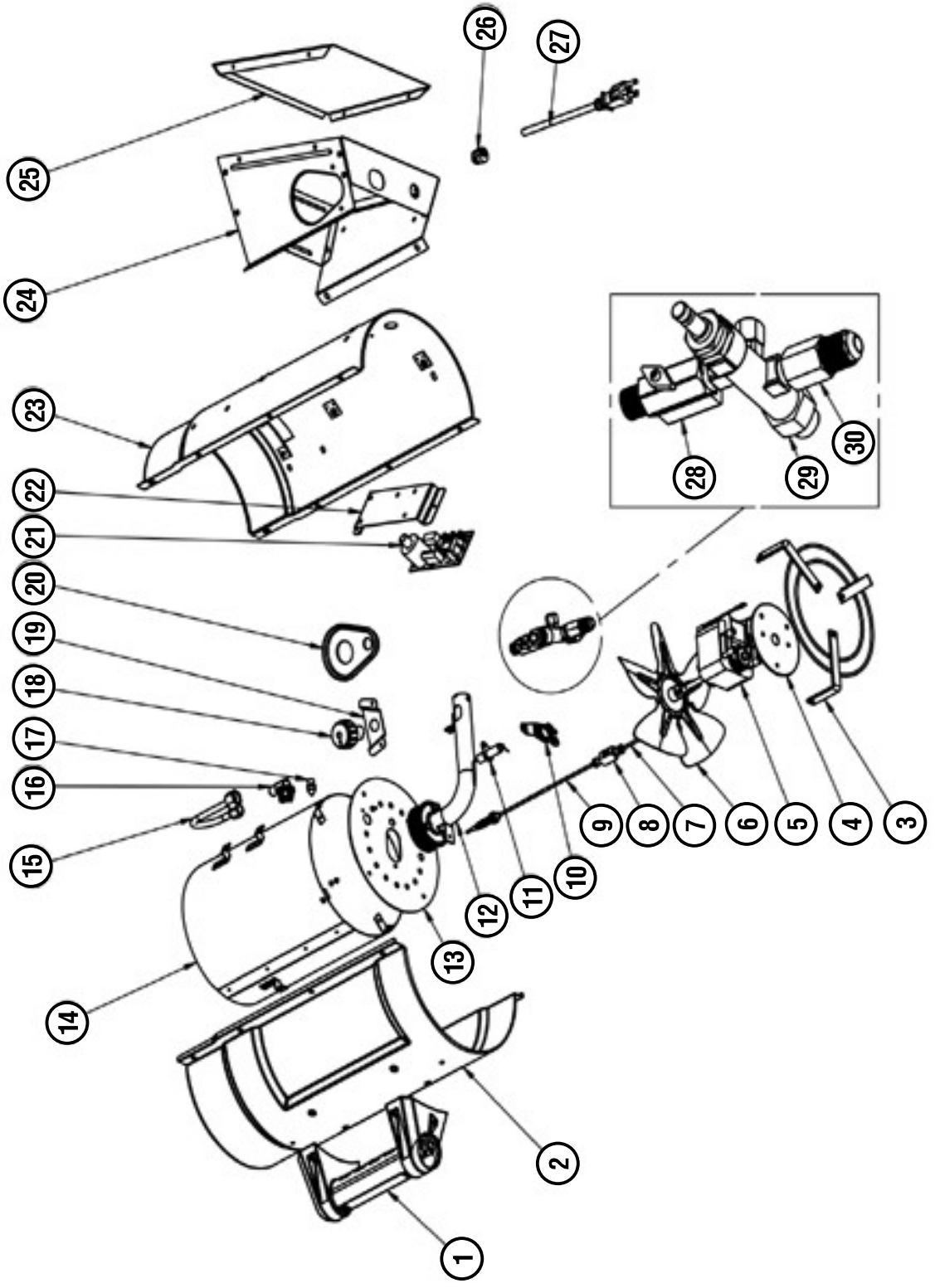
From To

High Limit Ignition Control Temp. Terminal
High Limit Ignition Control Temp Terminal

Parts List DXH65FAV

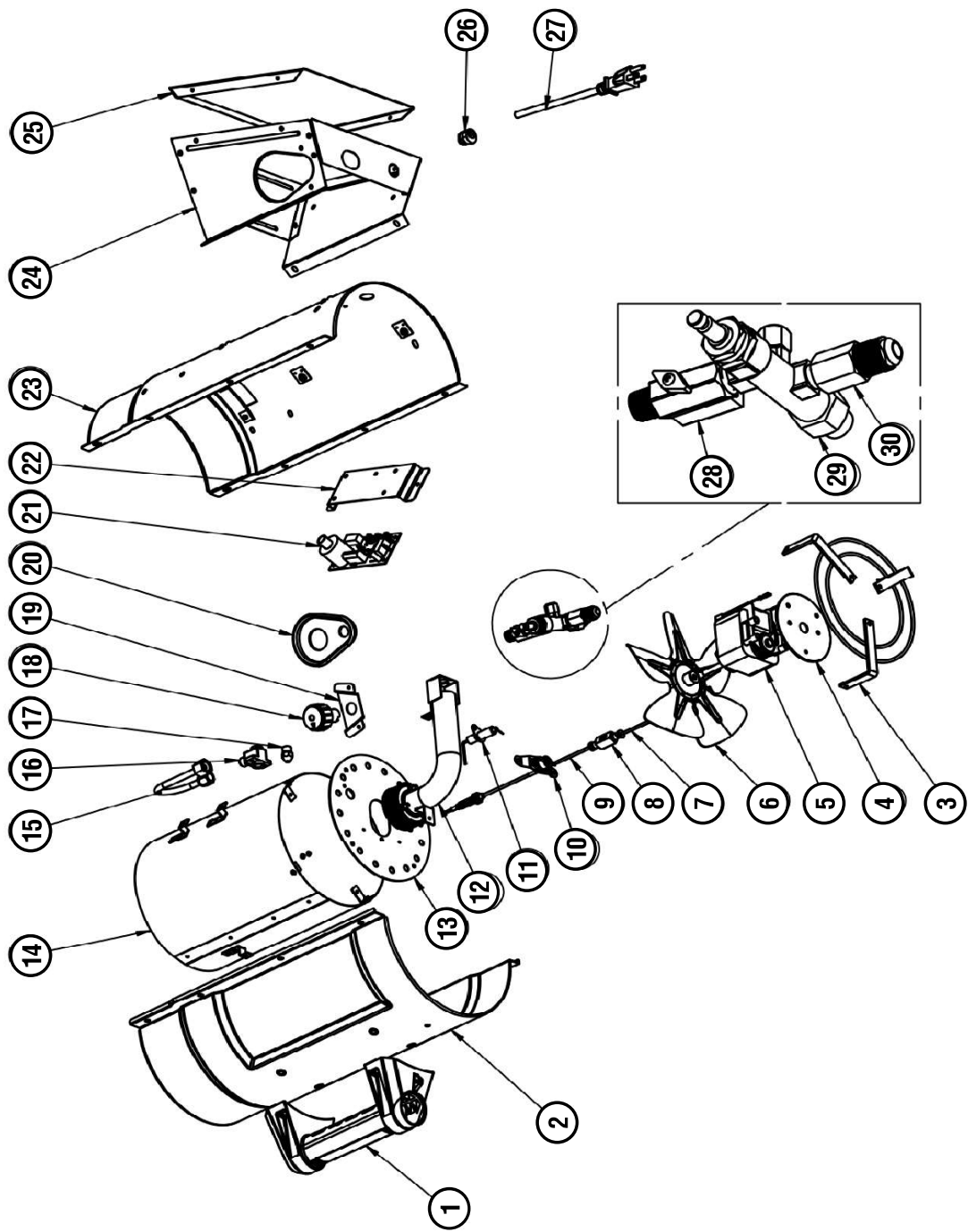
REF. #	ITEM#	DESCRIPTION	REF. #	ITEM#	DESCRIPTION
1	40801handle	19	40876Bracket, plastic insert
2	40886barrel, upper, assy	20	40878Insert, plastic, controls
3	40880guard, rear, assy	21	23276Ignition/relay module
4	N/Abrkt, motor mounting	22	23045Bracket, ignitioonr
5	21652motor, assy	23	40887Barrel, lower assembly
6	26086fan blade	24	40874Base, metal assembly
7	26656Thermocouple, connector	25	40875Base, metal, bottom
8	26134compression block, relay	26	26223Strain relief bushing
9	26655Thermocouple 10"	27	21036Power cord assembly
10	27445High limit switch	28	27457Valve, variable assembly
11	40904Electrode, ignition	29	40884Valve, gas, main
12	27505Burner assembly	30	26127ftg, male connector
13	27447Flame holder	*	21667-15hose/regulator assembly
14	27506Radiation shield assembly			
15	40998Fuel tube assembly			
16	27450Holder, orifice			
17	27451Orifice			
18	40879Knob, variable valve			

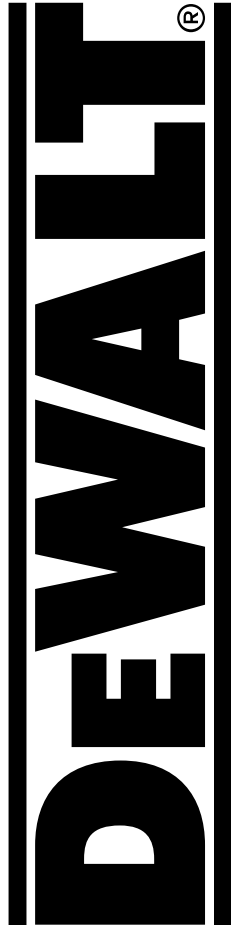
*Not shown



Parts List DXH90FAV

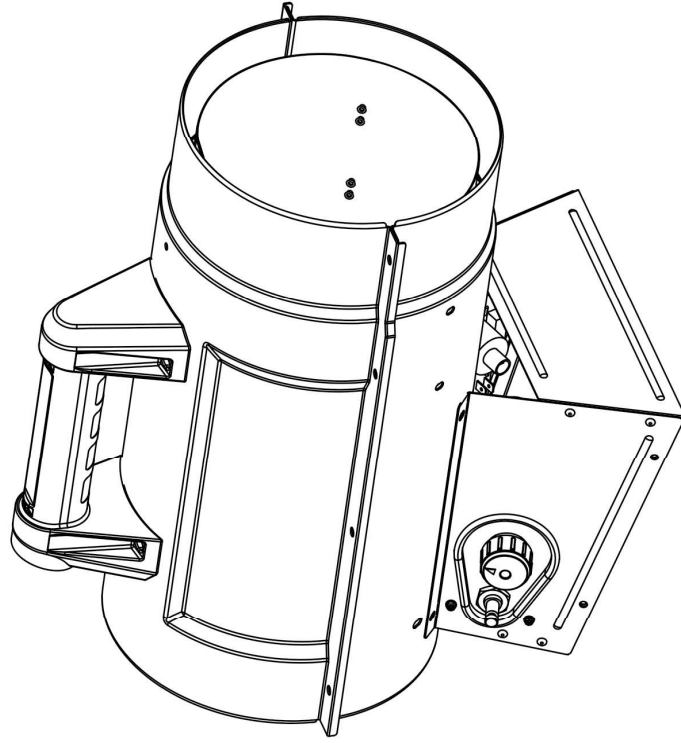
REF. #	ITEM#	DESCRIPTION	REF. #	ITEM#	DESCRIPTION
1	40801handle	19	40876Bracket
2	40886barrel, upper, assy	20	40878Insert, plastic, controls
3	40880guard, rear, assy	21	23276Ignition/relay module
4	40701brkt, motor mounting	22	23045Bracket, ignition
5	21652motor, assy	23	40887Barrel, lower, assembly
6	26086fan blade	24	40874Base, metal assembly
7	26656Thermocouple, connector	25	40875Base, metal, bottom, panel
8	26134compression block, relay	26	26223Strain relief bushing
9	26655Thermocouple 10"	27	21036Power cord
10	27439High limit switch	28	27489Valve, variable, assembly
11	40904Electrode, ignition	29	40884Valve, gas, main
12	27490Burner assembly	30	26127Fitting, male connector
13	27485Flame holder	*	40923hose/regulator assembly
14	27506Radiation shield assembly			*Not shown
15	40956Fuel tube assembly			
16	40900Holder, orifice			
17	27487Orifice			
18	40879Knob, variable, valve			





INSTRUCTION MANUAL

Forced Air Propane Construction Heater DXH65FAV, DXH90FAV



Warning:

Use only manufacturer's replacement parts. Use of any other parts could cause injury or death. Replacement parts are only available direct from the factory and must be installed by a qualified service agency.

PARTS ORDERING INFORMATION:

PURCHASING: Accessories may be purchased at any DeWalt® local dealer or direct from the factory

FOR INFORMATION REGARDING SERVICE:

Please call Toll-Free 855-805-5745
www.dewalt.com

Our office hours are 8:00 AM – 5:00 PM, EST, Monday through Friday.

Please include the model number, date of purchase, and description of problem in all communication.

LIMITED WARRANTY:

DeWalt® warrants its heaters and accessories to be free from defects in material and workmanship for a period of 1 year from date of purchase. DeWalt® will repair or replace this product free of charge if it has been proven to be defective within the 1-year period, and is returned at customer expense with proof of purchase to DeWalt® within the warranty period.



DEWALT®, GUARANTEED TOUGH® and the yellow and black color scheme are trademarks of the DEWALT Industrial Tool Co., used under license. ©2013 DEWALT. EGI/Enerco Group Inc. Under license from Dewalt Industrial Tool Co.

Intertek

Z83.7-2011 CSA 2.14-2011

If you have questions or comments, contact us.

Si vous avez des questions ou commentaires, veuillez nous contacter.

Llámenos si tiene alguna pregunta o comentario.

855-805-5745 • www.dewalt.com

**INSTRUCTION MANUAL
GUIDE DE UTILISATION
MANUAL DE INSTRUCCIONES**

DEWALT®

**Forced Air Propane Construction Heater DXH65FAV, DXH90FAV
Fornaise à air pulsé au gaz propane pour chantier de construction DXH65FAV, DXH90FAV
Calentador de propano a aire forzado para construcción DXH65FAV, DXH90FAV**

2017-40797-CB

READ INSTRUCTIONS CAREFULLY: Read VEUILLEZ LIRE ATTENTIVEMENT LES INSTRUCTIONS: LEA CUIDADOSAMENTE LAS INSTRUCCIONES:
and follow all instructions. Place instructions in Lisez et observez toutes les instructions. Conservez ces Lea y siga todas las instrucciones. Conserve
a safe place for future reference. Do not allow instructions dans un endroit sécuritaire pour vous y référer estas instrucciones en un lugar seguro para futura
anyone who has not read these instructions to ultérieurement. Interdisez à quiconque n'ayant pas lu les referencia. No permita que nadie que no haya leído
assemble, adjust or operate the heater. présentes directives d'assembler, de régler ou de faire estas instrucciones arme, ajuste o use el calentador.
fonctionner cette fournaise.

Définitions : Directives de sécurité

Les définitions ci-dessous décrivent le niveau de sévérité pour chaque mot signalétique. Veuillez lire le manuel et faire attention à ces symboles.

- ▲ **DANGER** : Indique « une situation à risque imminent, laquelle, si elle n'est pas évitée, entraînera des blessures sérieuses ou la mort ».
- ▲ **AVERTISSEMENT** : Indique « une situation à risque potentiel, laquelle si elle n'est pas évitée, pourrait entraîner des blessures sérieuses ou la mort ».
- ▲ **MISE EN GARDE** : Indique une situation dangereuse potentielle, laquelle, si elle n'est pas évitée, peut causer des blessures mineures ou des blessures légères.
- AVIS** : Indique une pratique non reliée à une blessure personnelle, laquelle, si elle n'est pas évitée, peut entraîner des dommages aux biens.

▲ AVERTISSEMENT : NE FAITES PAS FONCTIONNER CETTE FOURNAISE JUSQU'À CE QUE VOUS AYEZ LU ET COMPRIS CE MANUEL D'INSTRUCTIONS POUR LES DIRECTIVES DE SÉCURITÉ, DE FONCTIONNEMENT ET D'ENTRETIEN. CONSERVEZ CES INSTRUCTIONS DANS UN ENDROIT SÉCURITAIRE POUR VOUS Y RÉFÉRER ULTÉRIEUREMENT.

▲ AVERTISSEMENT :

Le non-respect des mesures de prévention et des instructions fournies avec cette fournaise risque de causer la mort, des blessures graves et des dommages ou des pertes matérielles résultant d'incendie, d'explosion, de brûlure, d'asphyxie, d'intoxication au monoxyde de carbone et/ou d'électrocution.

Seules les personnes aptes à comprendre et à respecter les instructions devraient utiliser ou effectuer l'entretien de cette fournaise.

▲ DANGER : LE MONOXYDE DE CARBONE PEUT VOUS TUER

Cette fournaise produit du monoxyde de carbone. N'utilisez pas l'appareil dans des endroits occupés.

Ventilez l'édifice, la pièce ou tout autre endroit fermé où l'appareil de chauffage a été utilisé avant d'y entrer. Ne jamais utiliser dans un véhicule, un véhicule récréatif ou une tente.

▲ AVERTISSEMENT :

Non conçu pour une utilisation à l'intérieur de la maison ou dans un véhicule récréatif. Ne pas utiliser pour cuire ou réchauffer des aliments.

▲ AVERTISSEMENT :

Danger d'incendie, d'inhalation et d'explosion. Gardez les combustibles solides tels que les matériaux de construction le papier et le carton à une distance sécuritaire de la fournaise tel que recommandée dans les instructions. N'utilisez jamais la fournaise dans un endroit qui contient ou risque de contenir des combustibles volatiles ou en suspension dans l'air, ou des produits tels que de l'essence, des solvants, du diluant à peinture, des particules de poussière ou des produits chimiques inconnus.

▲ AVERTISSEMENT : SI L'INFORMATION DANS CE MANUEL N'EST PAS SUIVIE EXACTEMENT, UN INCENDIE OU UNE EXPLOSION POURRAIT SE PRODUIRE CAUSANT DES DOMMAGES AUX BIENS, DES BLESSURES PERSONNELLES OU UN DÉCÈS.

- N'utilisez pas d'essence ou d'autres liquides ou vapeurs inflammables à proximité de ce type d'appareil ou de tout autre appareil.
- Un cylindre de gaz propane (liquéfié) non branché pour utilisation ne devrait pas être entreposé près de cet appareil ou de tout autre appareil.
- **QUOI FAIRE SI VOUS SENTEZ DU GAZ :**
 - N'essayez pas d'allumer l'appareil.
 - Éteignez toute flamme nue.
 - Fermez l'entrée de gaz allant vers l'appareil.
- L'entretien doit être effectué par une entreprise d'entretien accréditée.

▲ AVERTISSEMENT :

Les sous-produits de combustion émis lors de l'utilisation de cet appareil contiennent du monoxyde de carbone, un produit chimique reconnu par l'état de Californie comme pouvant causer le cancer et des malformations congénitales (ou autres dommages au système reproducteur).

Cet appareil contient des produits chimiques reconnus par l'état de Californie comme pouvant causer le cancer et des malformations congénitales ou autres dommages au système reproducteur.

▲ AVERTISSEMENT : RISQUE DE CHOC ÉLECTRIQUE

- Branchez le cordon d'alimentation dans une prise à 3 bornes mise à la terre.
- N'utilisez pas dans des conditions d'humidité ou de zones mouillées.

TABLE DES MATIÈRES

- AVERTISSEMENTS 2-3
- SPÉCIFICATIONS DE LA FOURNAISE 3
- PRÉCAUTIONS DE FONCTIONNEMENT 4
- PRÉCAUTIONS DE SÉCURITÉ 4
- MISE EN GARDE LIÉE AUX SUBSTANCES ODORANTES 5-6
- INSTRUCTIONS D'UTILISATION 6
- MAINTENANCE, ENTREPOSAGE ET ENTRETIEN 7
- SCHÉMAS DU CÂBLAGE..... 8
- Listes des pièces/vues éclatées 9-12
- GARANTIE..... 13
- INSTRUCTIONS POUR COMMANDER DES PIÈCES..... 13

▲ AVERTISSEMENT : RISQUE DE FEU OU D'EXPLOSION

- N'entreposez et n'utilisez pas d'essence ou d'autres liquides ou vapeurs inflammables à proximité de ce type d'appareil ou de tout autre appareil.
- QUOI FAIRE SI VOUS SENTEZ UNE ODEUR DE GAZ :
 - Ouvrez les fenêtres.
 - **N'ESSAYEZ PAS** d'allumer quelque appareil que ce soit.
 - **NE PAS** basculer les interrupteurs électriques.
 - **NE PAS** utiliser les téléphones dans l'édifice. Appelez immédiatement le fournisseur de gaz local à partir d'un téléphone à l'extérieur. Suivez les instructions de l'entreprise de gaz.
 - **NE PAS** toucher tout interrupteur électrique; ne pas utiliser le téléphone dans votre édifice.
 - Si vous ne pouvez pas rejoindre votre fournisseur de gaz, appelez le service des incendies.

SPÉCIFICATIONS

Type de gaz : pour utilisation avec du propane seulement

Pression de l'alimentation en gaz

vers le régulateurMax.: Pression de la bonbonne

vers le régulateurMin.: 137,9 kPa (20 psi)

sortie du régulateur 137,9 kPa (20 po W.C.)

Entrée électrique : 115 V, 60 Hz, 1Ø, 3 A

Tension de fonctionnement min. : 100 V

Allumage :Étincelle directe

Contrôle de la

flamme primaire:Valve de gaz à fonctionnement par thermocouple

Contrôle de haute

température : 116 °C (240 °F)

Temp. min. ambiante Caractéristique nominale -17,8 °C (0 °F)

Spécifications

Modèle :	DXH65FAV	DXH90FAV
Classement :	8,8 – 19,0 kW (30 000 - 65 000 Btu/Heure)	14,6 – 25,0 kW (50 000 - 90 000 Btu/Heure)
Consommation de carburant :	0,64 – 1,1 kg/heure (1,4 – 2,5 lb/heure)	1,04 – 1,77 kg/heure (2,3 – 3,9 lb/heure)
Grandeur de l'orifice de carburant	0,50 mm	0,60 mm

Précautions liées au fonctionnement

▲ AVERTISSEMENT

C'est une fournaise à air pulsé, à feu direct, et au propane. Son utilisation première est le chauffage temporaire d'édifices en construction, en modification ou en réparation.

A feu direct signifie que l'ensemble des produits de combustion entre dans l'espace de chauffage. Même si cette fournaise fonctionne très près d'une efficacité de combustion de 100 pour cent, elle produit quand même une petite quantité de monoxyde de carbone. Le monoxyde de carbone (CO) est toxique. Le CO peut s'accumuler dans un espace chauffé et un échec à fournir une ventilation adéquate peut causer la mort. Les symptômes d'une ventilation inadéquate incluent :

- maux de tête
- yeux et nez qui piquent
- bouche sèche ou maux de gorge
- étourdissements
- nausée

Assurez-vous de suivre les conseils sur la ventilation dans la section des Précautions de sécurité.

À air pulsé signifie qu'une souffleuse ou un ventilateur pousse l'air à travers la fournaise. Une combustion correcte dépend du flux d'air; ainsi, la fournaise ne doit pas être corrigée, modifiée ou en fonctionnement avec des pièces enlevées ou manquantes. De même, les systèmes de sécurité ne doivent pas être contournés ou modifiés afin de faire fonctionner la fournaise.

Lorsque la fournaise doit fonctionner en présence de d'autres personnes, l'utilisateur est responsable de renseigner adéquatement les gens présents avec les précautions et instructions de sécurité, ainsi que les dangers impliqués.

Mesures de sécurité

▲ AVERTISSEMENT

1. Bien vérifier la fournaise pour tout dommage. NE PAS faire fonctionner une fournaise endommagée.
2. NE PAS modifier la fournaise ou faire fonctionner une fournaise qui a été modifiée par rapport à sa condition originale.
3. Utilisez seulement du gaz propane.
4. Utilisez seulement une alimentation au propane avec RETRAIT DE VAPEURS. S'il y a des questions sur le système de retrait de vapeurs, posez-les à votre revendeur de propane.
5. Montez verticalement les cylindres de propane (la valve d'arrêt vers le haut). Bien les fixer afin de les empêcher de tomber ou d'être renversés et protégez-les de tout dommage.
6. Placez les bonbonnes de propane à au moins 2,13 m (7 pi) (É.-U.), 3 m (10 pi) (Canada) de la fournaise et ne dirigez pas la sortie de cette dernière vers les bonbonnes.

7. **IMPORTANT** Utilisez uniquement l'assemblage de tuyau et de régulateur fourni avec la fournaise. Agencez les languettes de couleur de l'étiquette mobile fixée à l'assemblage du tuyau avec la couleur sur l'étiquette située près du raccord d'entrée pour la bonne sur la fournaise. Inspectez le tuyau lors de chaque utilisation de la fournaise. S'il y a une abrasion ou une usure excessive, ou si le tuyau est coupé, remplacez-le avec l'assemblage de tuyau énuméré sur la liste des pièces avant toute utilisation de la fournaise.

8. Pour usage intérieur seulement. L'endroit doit être très bien ventilé. **Figure 1.** (Voir également « Précautions de fonctionnement »).

9. Si, à tout moment, une odeur de gaz est détectée, **ARRÊTEZ IMMÉDIATEMENT** le fonctionnement jusqu'à ce que la source du gaz soit trouvée et corrigée. Lisez l'information sur Substances odorantes et propane à la page 5 pour plus d'informations sur la détection de fuites de propane.

10. Installez la fournaise de façon à ce qu'elle ne soit pas exposée à une vaporisation d'eau, à de la pluie et/ou à de l'eau qui dégoutte.

11. Gardez un espace libre minimum de tout matériau combustible normal (comme le papier). **Figure 2.**

12. À cause des températures élevées de surface et de sortie, les adultes et les enfants doivent respecter l'espace libre recommandé afin d'éviter les brûlures ou l'inflammation des vêtements.

13. Faites fonctionner seulement sur une surface stable et à niveau.

14. N'utilisez pas avec des gaines et des conduits d'air. Ne pas restreindre l'entrée ni la sortie d'air.

15. Utilisez seulement la tension électrique spécifiée. La connexion et la mise à la terre électrique doivent respecter le Code électrique national - ANSI/NFPA 70 (États-Unis) et le Code électrique canadien CSA C22.1, Partie 1 (Canada).

16. Utilisez seulement un cordon d'extension ou une prise à 3 fiches correctement mis à la terre.

17. Ne pas déplacer, manipuler ou entretenir l'appareil lorsqu'il est chaud ou brûlant.

18. Utilisez seulement selon les codes locaux ou, en l'absence de codes locaux, avec le Standard pour l'entreposage et la manipulation de gaz de pétrole liquéfié ANSI/NFPA 58 et CSA B149.1, Code d'installation du propane et du gaz naturel.

Odeur de gaz de combustible – Fuites de combustible

À AVERTISSEMENT

Des additifs odorants ont été ajoutés au gaz propane liquéfié et au gaz naturel dans le but de faciliter la détection de fuites. Si une fuite de gaz survient, vous devriez pouvoir sentir le gaz de combustion. Puisque le gaz propane (liquéfié) est plus lourd que l'air, l'odeur de gaz se détecte plus facilement près du sol. **TOUTE ODEUR DE GAZ EST UN SIGNAL QU'IL FAUT AGIR IMMÉDIATEMENT!**

Mise en garde liée aux substances odorantes

- Ne pas entreprendre une action qui pourrait enflammer le gaz de combustion. N'utilisez aucun interrupteur électrique. Ne branchez ni ne débranchez aucune alimentation électrique ou rallonge électrique. Ne pas allumer des allumettes ni aucune autre source de flamme. Ne pas utiliser votre téléphone.
- Faites évacuer immédiatement toute personne se trouvant dans l'immeuble; gardez-les éloignées du secteur.
- Fermez toutes les valves d'alimentation du réservoir de gaz propane (liquéfié) ou de la bonbonne, ainsi que la valve d'alimentation principale située sur le compteur, si vous utilisez du gaz naturel.
- Le gaz propane (liquéfié) est plus lourd que l'air et peut s'accumuler dans les endroits près du sol. Si vous soupçonnez qu'il y a une fuite de gaz propane, éloignez-vous des endroits bas / près du sol.
- Utilisez le téléphone d'un voisin et communiquez avec votre fournisseur en gaz combustible et votre service des incendies. Ne retournez pas dans l'immeuble ou dans le secteur.
- Vous tenir hors du bâtiment et loin de la zone jusqu'à ce qu'elle soit déclarée sûre par les pompiers et par le fournisseur de votre gaz de combustion .
- **FINALEMENT**, laissez le personnel du service des incendies ou d'approvisionnement en gaz combustible vérifier si du gaz s'échappe. Assurez-vous qu'ils aient aéré l'immeuble avant d'y retourner. Le personnel d'entretien expérimenté doit colmater toute fuite, vérifier la présence d'autres fuites, puis rallumer l'appareil pour vous.

Substance odorante – Aucune odeur détectée

- Certaines personnes ne peuvent détecter l'odeur du produit chimique synthétique ajouté au gaz propane (liquéfié) ou au gaz naturel. Vous devez déterminer si vous pouvez sentir cette substance odorante dans ces gaz combustibles.
- Apprenez à reconnaître l'odeur du gaz propane et celle du gaz naturel. Les détaillants de gaz propane (liquéfié) locaux seront heureux de vous fournir un feuillet à gratter et humer. Utilisez-le pour vous aider à reconnaître l'odeur du gaz combustible.
- Le tabagisme peut nuire à votre faculté olfactive. Votre facilité à déceler une odeur quelconque peut s'estomper si vous demeurez un certain temps dans un endroit où cette odeur est présente. Les odeurs présentes dans les bâtiments où sont enfermés des animaux peuvent masquer l'odeur de gaz de carburant.

Figure 1

VENTILATION : Ouvertures minimums requises

Fournaise **Ouverture près du plancher** **Ouverture près du plafond**

Air pulsé (DXH65FAV, DXH90FAV).....0,19 m²0,19 m²

Figure 2

ESPACE LIBRE MINIMUM : De matériaux normaux de combustion

Dégagement **DXH65FAV** **DXH90FAV**

Du plancher0 m0 m

De la sortie2,4 m2,4 m

Des côtés0,9 m0,9 m

Du haut1,8 m1,8 m

Placez à 3 m (10 pi) des toiles/toiles à bâche ou couvertures similaires et fixez-les pour les empêcher de battre au vent ou de bouger.

À AVERTISSEMENT : RISQUE D'AXPHYSIE

- N'utilisez pas l'appareil dans des endroits sans ventilation.
- Le débit de chaleur et d'air de ventilation ne doit pas être obstrué.
- Un apport d'air de ventilation adéquat doit être fourni pour supporter les exigences de l'apport d'air de combustion de la fournaise utilisée.
- Référez-vous à la section des spécifications du manuel de la fournaise, à la plaque de données de l'appareil ou communiquez avec le fabricant pour obtenir les renseignements relatifs aux exigences en apport d'air de ventilation de l'appareil.
- Un apport d'air de ventilation inapproprié occasionnera une combustion inadéquate.
- Une combustion inadéquate peut provoquer une asphyxie par le monoxyde de carbone causant de sérieuses blessures ou la mort. Les symptômes d'empoisonnement par le monoxyde de carbone peuvent inclure des maux de tête, des étourdissements et des difficultés respiratoires.

- **La substance odorante dans le gaz propane (liquéfié) et dans le gaz naturel n'a pas de couleur et l'intensité de son odeur peut se dissiper dans certaines circonstances.**
- S'il y a une fuite souterraine, le passage du gaz à travers le sol peut filtrer la substance odorante.
- L'odeur de gaz propane (liquéfié) peut différer dans son intensité à différents niveaux. Étant donné que le gaz propane (liquéfié) est plus lourd que l'air, l'odeur peut être plus prononcée à des niveaux inférieurs.
- **Portez toujours attention à la moindre odeur de gaz.** Si une odeur de gaz persiste, même si elle est minime, agissez comme s'il s'agissait d'une fuite importante. Intervenez immédiatement tel que décrit précédemment.
- Un test périodique de reniflage autour de la fournaise ou aux raccords de la fournaise; c.-à-d. tuyauterie, connexions, etc., est une bonne pratique de sécurité sous n'importe quelles conditions. Si vous décelez la moindre odeur de gaz, COMMUNIQUEZ IMMÉDIATEMENT AVEC VOTRE FOURNISSEUR EN GAZ COMBUSTIBLE.

Consignes d'utilisation

PRÉPARATION POUR LE FONCTIONNEMENT

1. Vérifiez la fournaise pour tout dommage possible encouru lors du transport. Si vous en trouvez, contactez immédiatement le fabricant.
2. Veuillez suivre toutes les «précautions».
3. Connectez le raccord point de charge du tuyau et le régulateur à la bonbonne de propane en tournant l'écrou du point de charge dans le sens contraire des aiguilles d'une montre à l'intérieur de l'orifice du robinet de la bonbonne et serrez-le solidement avec une clé.
4. Connectez le tuyau à la fournaise en tournant le raccord du tuyau dans le sens des aiguilles d'une montre.
5. Serrez solidement toutes les connexions de gaz.
6. Ouvrez la valve de gaz de la bonbonne et vérifiez toutes les connexions de gaz avec une solution à base de savon et d'eau. **N'UTILISEZ PAS UNE FLAMME.**
7. Branchez le cordon d'alimentation à une source de tension 115 V, 60 Hz, 1Ø correctement mise à la terre.
8. Lors de l'utilisation d'un cordon d'extension, assurez-vous que c'est un cordon à 3 fiches (mis à la terre) d'une grandeur de fil correcte.

MISE EN MARCHÉ

1. Avant l'allumage de la fournaise, toujours permettre au ventilateur (souffleuse) de la fournaise de fonctionner pendant 20 secondes pour vider le combustible.
2. Ouvrez lentement la valve principale sur le cylindre de propane.
3. Abaissez le bouton de la valve de combustible pour allumer la fournaise.
4. Après que la fournaise se soit allumée, gardez abaissé le bouton de la valve de gaz pendant 15 secondes puis relâchez et alors la fournaise va continuer de fonctionner.
5. Réglez le taux de brûlement en configurant le bouton de contrôle au niveau désiré.
6. L'allumeur continue de fonctionner aussi longtemps que le cordon d'alimentation est branché.
7. Aucun thermostat ne peut être utilisé avec ce type d'appareil.

ARRÊT

1. Fermez de manière sécuritaire la valve sur le cylindre de propane.
2. Continuez de faire fonctionner la fournaise jusqu'à ce que tout le combustible dans le tuyau soit brûlé.
3. Débranchez le cordon d'alimentation.

REDÉMARREZ APRÈS L'ARRÊT DE SÉCURITÉ

1. Fermez de manière sécuritaire la valve sur le cylindre de propane. Débranchez la fournaise.
2. Attendez 5 minutes.
3. Redémarrez en suivant la procédure « Démarrage ».

ENTRETIEN ET ENTREPOSAGE

1. La fournaise devrait être inspectée avant chaque utilisation et au moins annuellement par une personne qualifiée.
2. Avant chaque utilisation, vérifiez le joint torique souple situé sur le bout arrondi du raccord point de charge. Si le joint torique est coupé, a des rayures ou autrement endommagé, remplacez-le avec le numéro de pièces 73786.
3. Fermez l'alimentation en gaz GPL à la(les) bonbonne(s) lorsque la fournaise n'est pas utilisée.
4. Lorsque la fournaise doit être entreposée à l'intérieur, le raccordement entre la bonbonne de gaz GPL et l'appareil doit être débranché et la bonbonne enlevée de l'appareil. La bonbonne doit être entreposée à l'extérieur selon les exigences du chapitre 5 de la norme pour le stockage et la manutention du gaz de pétrole liquéfié ANS/NFPA 58 et CSA B149;1; et selon le Code d'installation de gaz naturel et propane.

Taille et capacité des cylindres de propane requis

Les diagrammes à la page suivante montrent la taille approximative du cylindre requis pour ces fournaises. Pour utiliser le diagramme :

1. Choisissez la plus basse température d'air attendue (au bas du diagramme).
2. Allez directement au temps de fonctionnement désiré (côté gauche du diagramme).
3. Lisez la taille de cylindre requise.

Toutes les fournaises devraient avoir :

- des cylindres pleins
- une bonne circulation d'air
- aucun givre sur les cylindres

Service

Une situation dangereuse pourrait survenir si la fournaise utilisée a été modifiée ou ne fonctionne pas correctement. Lorsque la fournaise fonctionne correctement :

- La flamme est contenue à l'intérieur de la fournaise.
- La flamme est essentiellement bleue et peut avoir quelques pointes jaunes.
- Il n'y a pas de forte odeur désagréable, aucun inconfort tels que les yeux qui brûlent ou autres.
- Il n'y a pas de fumée, de suie interne ou externe à la fournaise.
- Il n'y a aucun arrêt non planifié ou inexplicable de la fournaise.

Les listes de pièces et la vue éclatée illustrent la fournaise telle qu'elle a été fabriquée. N'utilisez pas une fournaise qui est différente de celle illustrée. De même, utilisez uniquement le tuyau, le régulateur et le raccord pour la bonbonne (appelé raccord point de charge) fournis avec la fournaise.

IMPORTANT Agencez les languettes de couleur de l'étiquette mobile fixée à l'assemblage du tuyau avec la couleur sur l'étiquette située près du raccord d'entrée pour la bonbonne sur la fournaise. N'utilisez pas de moyen alternatif. Pour cette fournaise, le régulateur doit être réglé tel qu'indiqué dans les « spécifications ». S'il y a un doute concernant le réglage du régulateur, faites-le vérifier.

Une fournaise qui ne fonctionne pas correctement doit être réparée, mais uniquement par un technicien de service compétent et entraîné à le faire.

Les produits couverts sous cette garantie seront réparés sans frais pour les pièces et la main-d'œuvre. Veuillez inclure une brève description indiquant la date, l'endroit où l'achat a été effectué, la nature du problème et la preuve de l'achat.

Les produits qui ne sont pas couverts sous cette garantie, seront réparés mais des frais seront facturés pour les pièces et la main-d'œuvre.

Diagrammes de câblage DXH65FAV / DXH90FAV

REMARQUE : Si tout câblage original fourni avec la fournaise doit être remplacé, cela doit se faire avec un fil de type AWG 105 °C ou son équivalent, sauf si contrairement indiqué (Type SF 2.200, **SGI-250 °C)

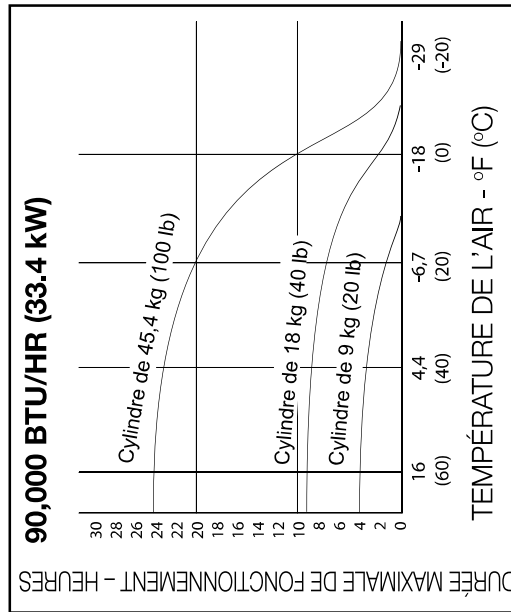
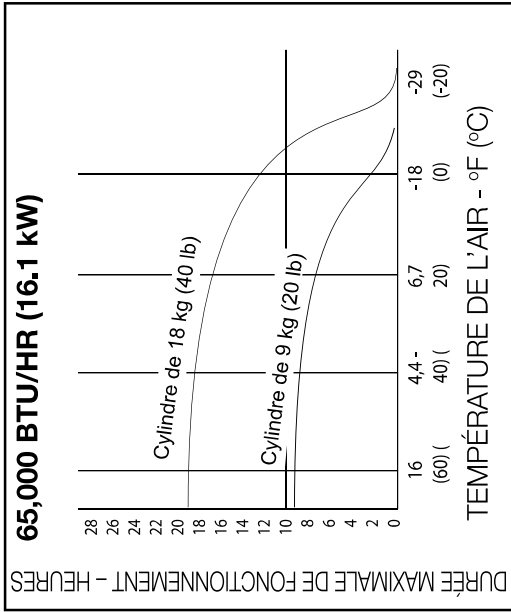
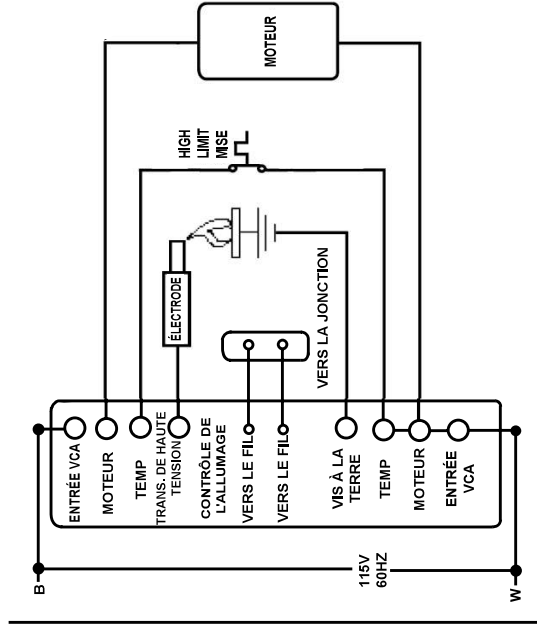
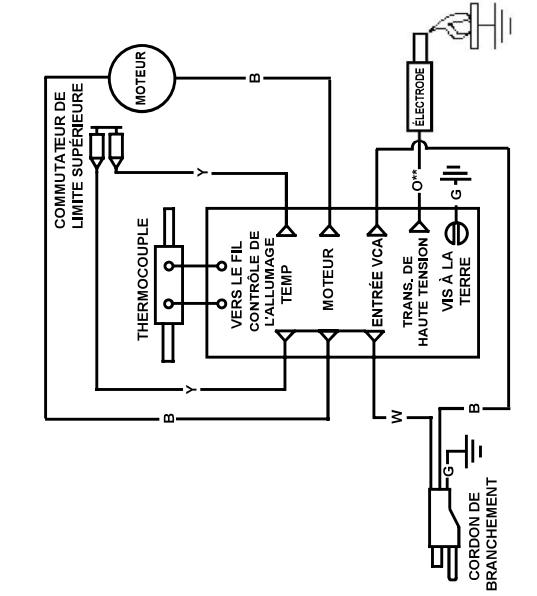


DIAGRAMME DE CONNEXION

DIAGRAMME SCHEMATIQUE



CODAGE DE COULEURS		LÉGENDE	
B	NOIR		CONNEXION FEMELLE
R	ROUGE		CONNEXION MÂLE
Y	JAUNE		
W	BLANC		
G	VERT		

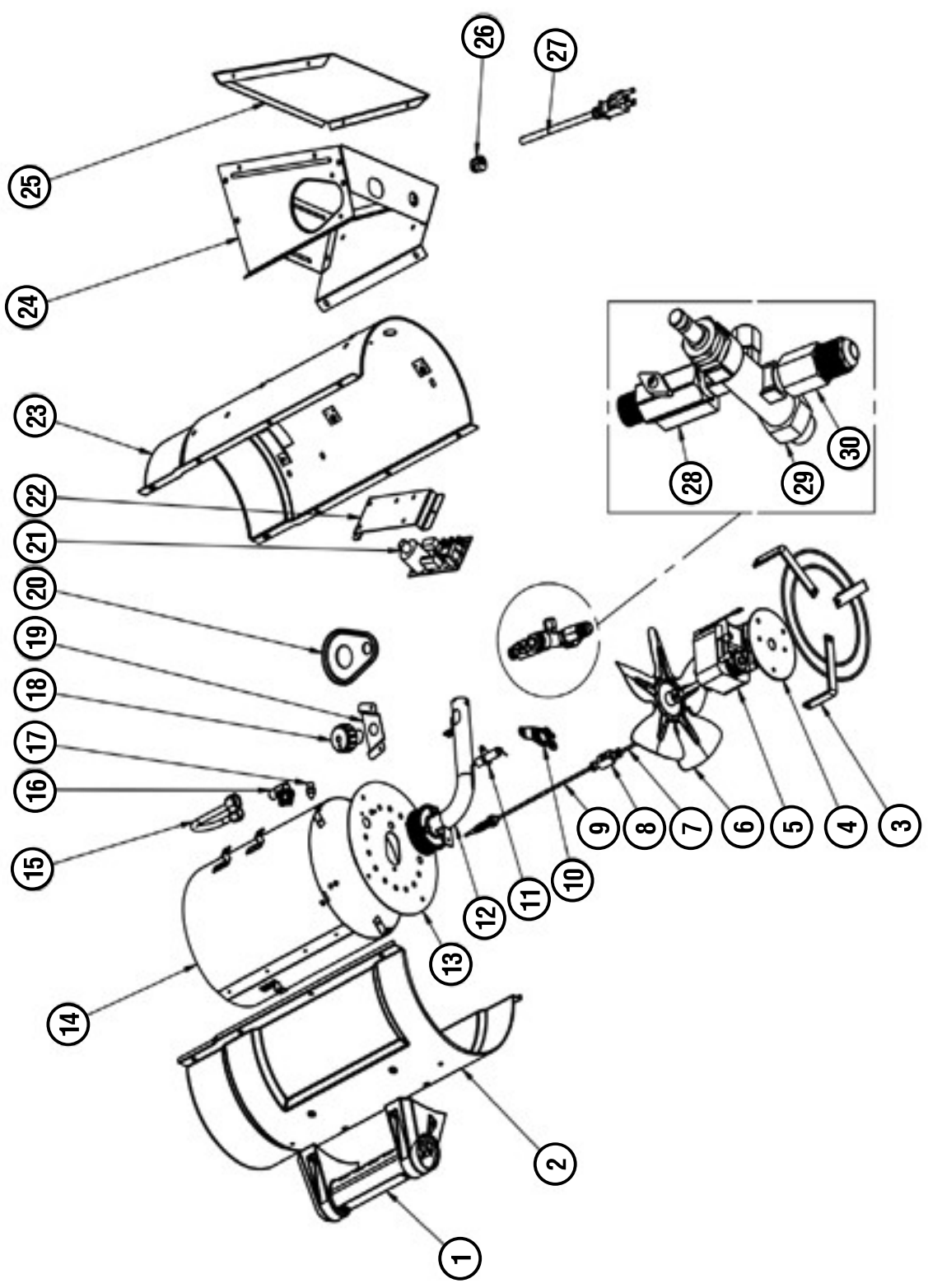
SCHÉMA DE CÂBLAGE (Fil : Type AWG 150 °C ou équivalent (Type SF2-200, **SGI-250 °C))

Couleur	Longueur	De	À
Jaune	406 mm (18 po)	Limite supérieure	Borne de température de contrôle de l'allumage
Jaune	406 mm (18 po)	Limite supérieure	Borne de température de contrôle de l'allumage

Parts List DXH65FAV

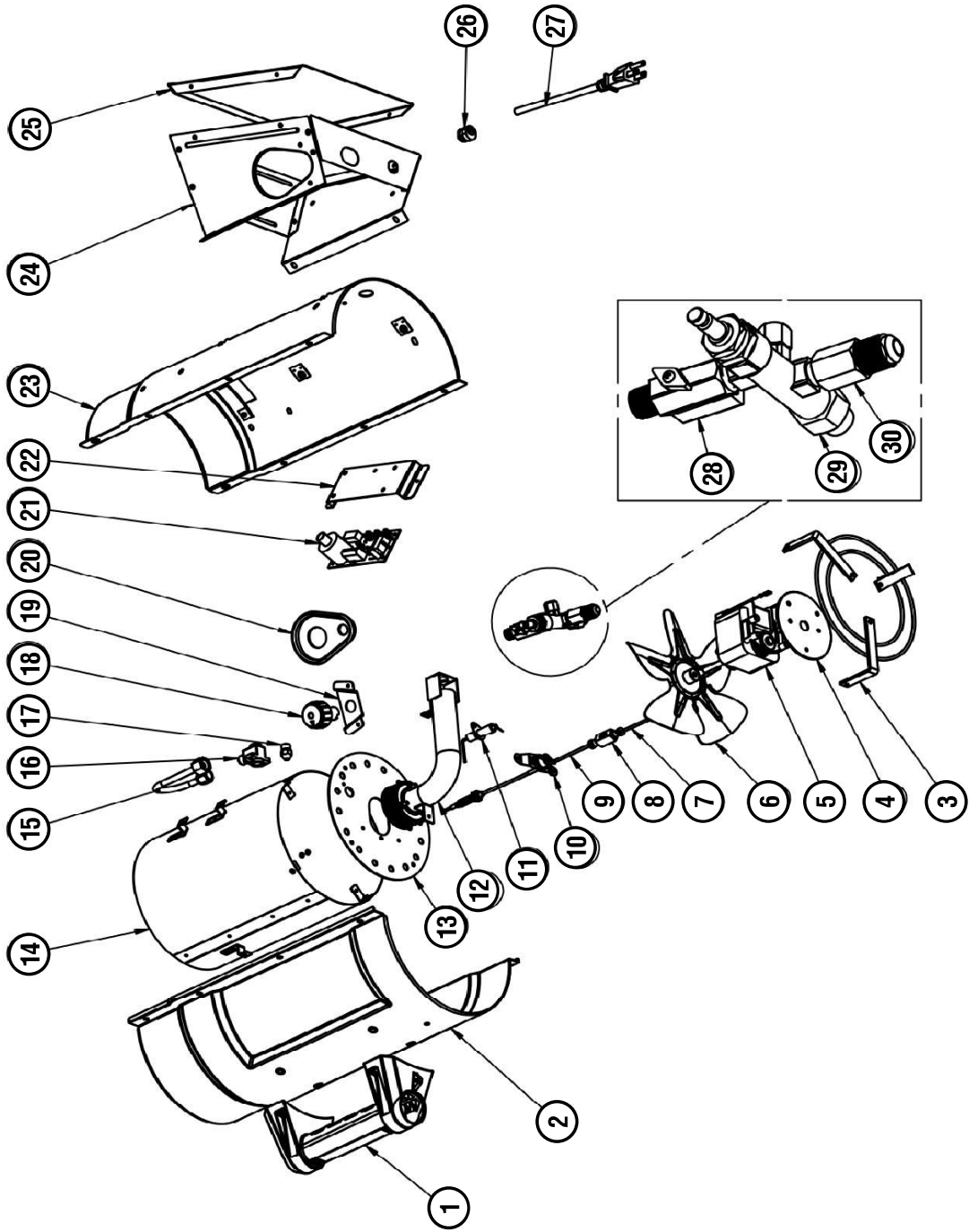
REF. #	ITEM#	DESCRIPTION	REF. #	ITEM#	DESCRIPTION
1	40801	Poignée	19	40876	Support, plastique, inséré
2	40886	Baril, supérieur, assemblage	20	40878	Support, plastique, inséré
3	40880	Garde, arrière, assemblage	21	23276	Module d'allumage/de relais
4	N/A	Support, montage du moteur	22	23045	Support, allumage
5	21652	Moteur, assemblage	23	40887	Baril, air, déflecteur, bas
6	26086	Pale du ventilateur	24	40874	Base, métal, assemblage
7	26656	Thermocouple, connecteur	25	40875	Base, métal, bas, panneau
8	26134	Bloc de compression, relais	26	26223	Passe-fil
9	26655	Thermocouple, 10 po	27	21036	Cordon d'alimentation
10	27445	Assemblage de contrôle de la limite supérieure	28	27457	Valve, variable, assemblage
11	40904	électrode, allumage, assemblage	29	40884	Valve, gaz, principal
12	27505	Bruleur assemblee	30	26127	Fig, connecteur mâle
13	27447	Assemblage du support de flamme	*	21667-15	Tuyau / ensemble du régulateur
14	27506	Radiation, écran, assemblage			
15	40998	Assemblage du tube de combustible			
16	27450	Écrou de l'orifice mtg			
17	27451	Orifice			
18	40879	Bouton, variable, valve			

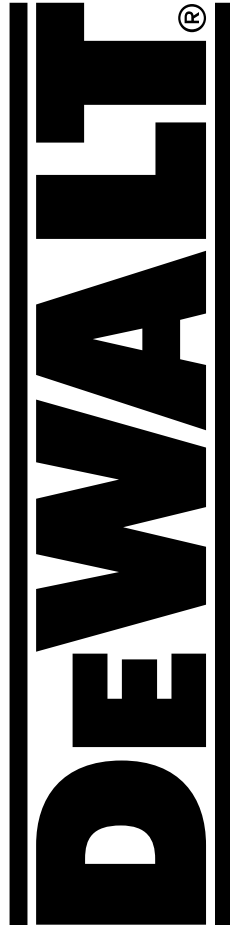
*Non illustre



Parts List DXH90FAV

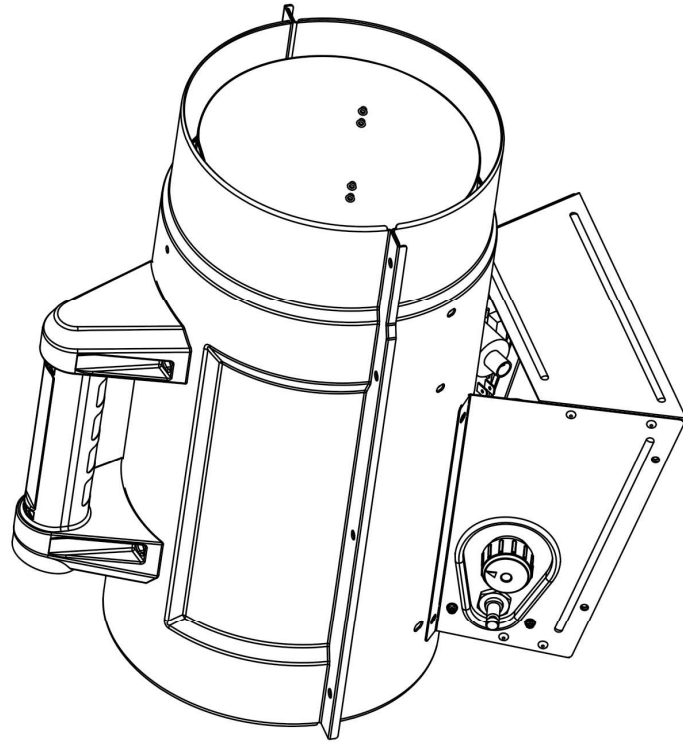
REF. #	ITEM#	DESCRIPTION	REF. #	ITEM#	DESCRIPTION
1	40801	Poignée	19	40876	Support, plastique, inséré
2	40886	Baril, supérieur, assemblage	20	40878	Insert en plastique controles
3	40880	Garde, arrière, assemblage	21	23276	Module d'allumage/de relais
4	40701	Support, montage du moteur	22	23045	Support, allumage
5	21652	Moteur, assemblage	23	40887	Baril, air, déflecteur, bas
6	26086	Pale du ventilateur	24	40874	Base, métal, assemblage
7	26656	Thermocouple, connecteur	25	40875	Base, métal, bas, panneau
8	26134	Bloc de compression, relais	26	26223	Passe-fil
9	26655	Thermocouple, 10 po	27	21036	Cordon d'alimentation
10	27439	Assemblage de contrôle de la limite supérieure	28	27489	Valve, variable, assemblage
11	40904	électrode, allumage, assemblage	29	40884	Valve, gaz, principal
12	27490	Bruleur assemblee	30	26127	Ftg, connecteur mâle
13	27485	Assemblage du support de flamme	*	40923	Tuyau / ensemble du régulateur
14	27506	Radiation, écran, assemblage	*Non illustre		
15	40956	Assemblage du tube de combustible			
16	40900	Écrou de l'orifice mtg			
17	27487	Orifice			
18	40879	Bouton, variable, valve			





MANUEL D'INSTRUCTIONS

Fournaise à air pulsé au gaz propane pour chantier
de construction DXH65FAV, DXH90FAV



Avertissement :

N'utilisez que les pièces de remplacement du fabricant. L'utilisation d'autres pièces risque de causer des blessures ou la mort. Les pièces de remplacement ne sont offertes que par le fabricant et doivent être installées par une entreprise de service spécialisée.

INFORMATION SUR LA COMMANDE DES PIÈCES :

ACHAT : Les accessoires peuvent être achetés chez n'importe quel revendeur local DeWalt^{MD} ou directement de l'usine

POUR OBTENIR DES INFORMATIONS SUR L'ENTRETIEN :

Appelez sans frais au 855-805-5745
www.dewalt.com

Nos heures de bureau sont de 8 h 00 à 17 h, fuseau horaire de l'est, du lundi au vendredi.

Veuillez inclure le numéro du modèle, la date d'achat et la description du problème dans toute communication.

GARANTIE LIMITÉE :

DeWalt^{MD} garantit ses fournaises et ses accessoires contre les défauts de matériel et de main-d'œuvre pour une période d'un an à partir de la date d'achat. DeWalt^{MD} réparera ou remplacera ce produit sans frais s'il est démontré qu'il est devenu défectueux pendant la période d'un (1) an et qu'il est retourné à DeWalt^{MD} aux frais de l'acheteur avec une preuve d'achat, au cours de la période de garantie.

DEWALT^{MD}, GUARANTEED TOUGH^{MD} et les schémas de couleurs jaune et noir sont des marques de commerce de DEWALT Industrial Tool Co., utilisées sous licence. ©2013 DEWALT. EGI/Enerco Group Inc. sous licence de Dewalt Industrial Tool Co.



Intertek

Z83.7-2011 CSA 2.14-2011

If you have questions or comments, contact us.

Si vous avez des questions ou commentaires, veuillez nous contacter.

Liámenos si tiene alguna pregunta o comentar-

855-805-5745 • www.dewalt.com

**INSTRUCTION MANUAL
MANUEL D'INSTRUCTIONS
MANUAL DE INSTRUCCIONES**

DEWALT®

**Forced Air Propane Construction Heater DXH65FAV, DXH90FAV
Fournaise à air pulsé au gaz propane pour chantier de construction DXH65FAV, DXH90FAV
Calentador de propano a aire forzado para construcción DXH65FAV, DXH90FAV**

2017-40797-CB

READ INSTRUCTIONS CAREFULLY: Read VEUILLEZ LIRE ATTENTIVEMENT LES INSTRUCTIONS : **LEA CUIDADOSAMENTE LAS INSTRUCCIONES:**

and follow all instructions. Place instructions in a safe place for future reference. Do not allow anyone who has not read these instructions to assemble, adjust or operate the heater.

Lisez et observez toutes les instructions. Conservez ces instructions dans un endroit sûr pour référence ultérieure. Interdisez à quiconque n'ayant pas lu les présentes instructions d'assembler, d'ajuster ou de faire fonctionner la fournaise.

Lea y siga todas las instrucciones. Conserve estas instrucciones en un lugar seguro para futura referencia. No permita que nadie que no haya leído estas instrucciones arme, ajuste o use el calentador.

Definiciones: Indicaciones de seguridad

Las siguientes definiciones describen el nivel de severidad para cada una de estas señales. Lea el manual y preste atención a estos símbolos.

- ▲ **PELIGRO:** Indica una situación inminente de peligro, la que si no se evita, **causaría heridas graves o la muerte.**
- ▲ **ADVERTENCIA:** Indica una situación potencial de peligro, la que si no se evita, **podría causar heridas graves o la muerte.**
- ▲ **CUIDADO:** Indica una situación potencial de peligro, la que si no se evita, **podría resultar en heridas menores o moderadas.**
- AVISO:** Indica una práctica no relacionada con heridas personales que, si no se evita, **podría causar daños materiales.**

▲ **ADVERTENCIA: NO USE ESTE CALENTADOR HASTA HABER LEÍDO Y COMPRENDIDO ESTE MANUAL DE INSTRUCCIONES DE SEGURIDAD, OPERACIÓN Y MANTENIMIENTO. GUARDE ESTAS INSTRUCCIONES EN UN LUGAR SEGURO PARA FUTURA REFERENCIA**

▲ **ADVERTENCIA:**

El no cumplir con las precauciones e instrucciones que vienen con este calentador puede causar la muerte, lesiones graves y pérdidas o daños materiales derivados del peligro de incendio, explosión, quemaduras, asfixia, envenenamiento con monóxido de carbono, y/o descargas eléctricas.

Solo las personas que entiendan y puedan seguir las instrucciones deben usar o mantener este calentador.

▲ **PELIGRO:**

EL MONÓXIDO DE CARBONO PUEDE CAUSARLE LA MUERTE

Este calentador produce monóxido de carbono. No lo utilice en lugares donde haya gente. Ventile el edificio, cuarto u otro espacio cerrado donde se haya usado el calentador antes de ingresar. Nunca lo use en un vehículo, casa rodante o tienda.

▲ **ADVERTENCIA:**

No apto para usar en el hogar o en un vehículo recreativo. No lo use para cocinar o calentar comida.

▲ **ADVERTENCIA:**

Peligro de incendio, quemaduras, inhalación y explosión. Mantenga los combustibles sólidos como materiales de construcción, papel o cartón a una distancia segura del calentador tal como lo recomiendan las instrucciones. Nunca use el calentador en espacios que contienen o podrían contener combustibles volátiles o productos como gasolina, solventes, diluyente de pintura o productos químicos desconocidos.

▲ **ADVERTENCIA: SI NO SE SIGUEN AL PIE DE LA LETRA LAS INSTRUCCIONES DE ESTE MANUAL, PODRÍA PRODUCIRSE UN INCENDIO O UNA EXPLOSIÓN QUE PROVOCARÍA DAÑOS MATERIALES, LESIONES O MUERTES.**

- No utilice gasolina ni ningún otro vapor ni líquido inflamable cerca de este ni de ningún otro artefacto.
- Un cilindro LP que no está conectado al calentador no debe almacenarse cerca de éste ni de ningún otro artefacto.
- **QUÉ HACER SI DETECTA OLOR A GAS:**
 - No intente encender el artefacto.
 - Apague todas las llamas expuestas.
 - Corte el suministro de gas al artefacto.
- El mantenimiento debe realizarlo una agencia de servicios calificada.

▲ **ADVERTENCIA:**

Uno de los elementos generados por la combustión al usar este equipo es monóxido de carbono, un producto químico que de acuerdo con el Estado de California produce cáncer y defectos de nacimiento (u otros daños reproductivos).

Este producto contiene productos químicos que de acuerdo con el Estado de California producen cáncer y defectos de nacimiento u otros daños reproductivos.

▲ **ADVERTENCIA: PELIGRO DE DESCARGA ELÉCTRICA**

- Enchufe el cable de alimentación en un tomacorriente de 3 cables con conexión a tierra.
- No lo use en lugares mojados o húmedos.

ÍNDICE

- ADVERTENCIAS..... 2-3
- ESPECIFICACIONES DEL CALENTADOR..... 3
- PRECAUCIONES DE UTILIZACIÓN 4
- PRECAUCIONES DE SEGURIDAD 4
- ADVERTENCIA DE DISIPACIÓN DEL OLOR 5-6
- INSTRUCCIONES DE OPERACIÓN 6
- MANTENIMIENTO, ALMACENAMIENTO Y SERVICIO 7
- DIAGRAMA DE CABLEADO 8
- LISTA DE PARTES/DIAGRAMAS EXTENDIDOS..... 9-12
- GARANTÍA 13
- INSTRUCCIONES PARA ORDENAR PARTES..... 13

▲ ADVERTENCIA: PELIGRO DE INCENDIO O EXPLOSIÓN

- No almacene ni utilice gasolina ni ningún otro vapor ni líquido inflamable cerca de este ni de ningún otro artefacto.
- **QUÉ HACER SI DETECTA OLOR A GAS:**
 - Abrir las ventanas.
 - **NO** intentar encender ningún artefacto.
 - **NO** active ningún interruptor eléctrico.
 - **NO** usar ningún teléfono en el edificio. Llamar inmediatamente a la compañía local de gas desde un teléfono en el exterior. Seguir las instrucciones de la compañía de gas.
 - **NO** tocar ningún interruptor eléctrico; no usar ningún teléfono en el edificio.
 - Si no se puede comunicar con la compañía de gas, llame a los bomberos.

ESPECIFICACIONES

Tipo de gas: Para usar únicamente con gas propano

Presión del suministro de gas

al reguladorMáx.: Presión del cilindro

al reguladorMín.: 137,9 kPa (20 psi)

salida del regulador 137,9 kPa (20 psi.)

Entrada de corriente: 115V, 60 Hz, 1Ø, 3A

Voltaje mín. de funcionamiento: 100V

Ignición:Chispa directa

Control primario

de llama:Válvula de gas operada por termocupla

Control de alta

temperatura: 116°C (240°F)

Temp. ambiente mín. 0°F (-17.8°C)

Especificaciones

Modelo:	DXH65FAV	DXH90FAV
Características:	8,8 – 19,0 kW (30.000 - 65.000 Btu/Hr)	14,6 – 25,0 kW (50.000 - 90.000 Btu/Hr)
Consumo de combustible:	0,64 – 1,1 kg/hr (1,4 – 2,5 lb/hr)	1,04 – 1,77 kg/hr (2,3 – 3,9 lb/hr)
Tamaño del orificio de combustible	0,50 mm	0,60 mm

Precauciones de utilización

▲ ADVERTENCIA

Este calentador es un calentador de propano de caldeo directo a aire forzado. Está diseñado principalmente para el calentamiento de edificios en construcción, remodelación o reparación.

De caldeo directo quiere decir que todos los productos de la combustión ingresan al espacio calentado. Aunque este calentador funciona casi a un 100% de eficiencia de combustión, produce pequeñas cantidades de monóxido de carbono. El monóxido de carbono (CO) es tóxico. El CO puede acumularse en el lugar que se calienta y si no se establecen las condiciones de ventilación adecuadas puede resultar mortal. Los síntomas de ventilación inadecuada son:

- dolor de cabeza
- mareos
- ardor en los ojos y en la nariz
- náuseas
- boca reseca o dolor de garganta

Asegúrese de seguir las recomendaciones de ventilación de la sección Precauciones de seguridad.

Aire forzado significa que un soplador o ventilador impulsa el aire a través del calentador. La combustión depende de este flujo de aire para realizarse correctamente, por tanto, el calentador no debe modificarse, alterarse o utilizarse si se le han sustraído o le faltan partes. Asimismo, no se deben alterar ni modificar los sistemas de seguridad para utilizar el calentador.

Cuando deba utilizarse el calentador en presencia de otras personas, el usuario será responsable de poner a los presentes al corriente de las precauciones e instrucciones de seguridad, y de los posibles peligros.

Recomendaciones de seguridad

▲ ADVERTENCIA

1. Revise cuidadosamente si el calentador presenta daños. NO opere un calentador dañado.
2. NO modifique el calentador ni opere un calentador cuya configuración original haya sido modificada.
3. Utilice únicamente gas propano.
4. Utilice únicamente suministro de propano con RECUPERACIÓN DE VAPOR. Si tiene alguna pregunta sobre la recuperación de vapor, consulte a su proveedor de propano.
5. Monte los tanques de propano verticalmente (válvula hacia arriba). Asegúrelos para que no caigan ni sean arrojados al piso y protéjalos de daños.
6. Sitúe los envases de propano por lo menos a 2,13 m (7 pies) (EE.UU.) o a 3 m (10 pies) (Canadá) del calentador y no apunte el escape hacia ellos.

7. **IMPORTANTE** Use únicamente la manguera y el regulador que vienen con el calentador. Haga coincidir la franja de color de la etiqueta colgante que se encuentra en el acople de la manguera con el color de la etiqueta situada cerca del acople de entrada del propano en el calentador. Inspeccione siempre el conjunto de la manguera antes de utilizar el calentador. Si el conjunto de la manguera estuviera excesivamente estropeado o desgastado, o si presentara cortaduras, reemplácelo por uno de los que se especifica en la lista de partes antes de utilizar el calentador.
8. Sólo para uso en interiores. El área debe estar bien ventilada. **Figura 1.** (Ver también "Precauciones de utilización").
9. Si detectara olor a gas en algún momento, **INTERRUMPA INMEDIATAMENTE** la utilización del equipo hasta que haya sido detectada y corregida la fuente de gas. Lea la información "Propano y disipación del olor" de la página 5 para obtener más información sobre la detección de fugas de propano.
10. Instale el calentador de forma tal que no esté directamente expuesto a salpicaduras de agua, lluvia ni/o goteo de agua.
11. Mantenga las distancias mínimas de materiales combustibles normales (como el papel). **Figura 2.**
12. Dadas las elevadas temperaturas de la superficie y del escape, tanto los adultos como los niños deben mantener la distancia adecuada para evitar quemaduras o la ignición de su ropa.
13. Úselo únicamente sobre una superficie nivelada y estable.
14. No utilizar en redes de conductos. No restringir las entradas ni las salidas.
15. Utilice únicamente la alimentación de corriente especificada. La conexión eléctrica y a tierra debe cumplir con los requisitos del Código Eléctrico Nacional - ANSI/NFPA 70 (EE.UU.) y del Código Eléctrico Canadiense CSA C22. 1, Primera parte (Canadá).
16. Utilice únicamente un cable de extensión o un receptáculo de tres patas correctamente conectado a tierra.
17. No mover, manipular ni ajustar mientras esté caliente o encendido.
18. Úselo únicamente de acuerdo con los códigos locales o, en la ausencia de códigos locales, de acuerdo con los Estándares ANSI/NFPA 58 y CSA B149.1 para almacenamiento y manipulación de gases licuados de petróleo del Código de instalación de propano y gas natural.

Figura 1

VENTILACIÓN: Aberturas mínimas requeridas

	Abertura cerca del piso	Abertura cerca del techo
Calentador		
De aire forzado (DXH65FAV, DXH90FAV) 0,19 m ² 0,19 m ²

Figura 2

DISTANCIA MÍNIMA: a material inflamable normal

Distancia	DXH65FAV	DXH90FAV
Al piso0 m0 m
A la salida2,4 m2,4 m
A los costados0,9 m0,9 m
De la parte de arriba1,8 m1,8 m

Colóquelo a 3 m (10 pies) de lonas o cubiertas de protección plásticas o cubiertas similares y asegúrelas para evitar que ondeen o se muevan por la acción del viento.

⚠ ADVERTENCIA: RIESGO DE ASFIXIA

- No lo utilice en áreas sin ventilación.
- No obstruya el flujo de aire necesario para la combustión y la ventilación.
- Deberá suministrar la ventilación adecuada para garantizar que el calentador disponga del aire que necesita para la combustión.
- Consulte la sección de especificaciones del manual del calentador, la placa del calentador, o póngase en contacto con el fabricante para conocer los requerimientos de ventilación del calentador.
- Si la ventilación no es la adecuada, la combustión no se llevará a cabo correctamente.
- Una combustión inadecuada puede producir envenenamiento con monóxido de carbono con graves daños para la salud, o causar la muerte. Los síntomas de envenenamiento con monóxido de carbono incluyen dolores de cabeza, mareos y dificultad al respirar.

Olor a gas combustible - Fugas de gas

⚠ ADVERTENCIA

Los gases LP y el gas natural contienen sustancias aromáticas artificiales añadidas específicamente para facilitar la detección de fugas de gas. Si se produjera una fuga de gas, usted debe poder oler el gas combustible. Dado que el propano (LP) es más pesado que el aire, debe tratar de detectar el olor lo más cerca del piso posible. ¡EL OLOR A GAS ES SU INDICADOR PARA TOMAR ACCION INMEDIATA!

Advertencia de disipación del olor

- No haga nada que pudiera inflamar el gas combustible. No active ningún interruptor eléctrico. No desconecte ninguna toma de corriente ni cables de extensión. No encienda fósforos ni ninguna otra fuente de llamas. No utilice su teléfono.
- Saque a todas las personas del edificio y aléjelos del área inmediatamente.
- Cierre todas las válvulas de suministro de combustible de los tanques o del tanque del gas propano (LP), o la válvula principal de suministro de combustible que se encuentra en el metro contador si emplea gas natural.
- El gas propano (LP) es más pesado que el aire y puede asentarse en áreas bajas. Cuando sospeche que puede haber una fuga de propano, manténgase alejado de las áreas bajas.
- Utilice el teléfono de su vecino y llame a su proveedor de gas y a su departamento de bomberos. No vuelva a entrar al edificio ni se acerque al área.
- Manténgase alejado del edificio y del área hasta que los bomberos y su proveedor de gas hayan declarado que no hay peligro.
- **POR ÚLTIMO**, permita que la persona del servicio de gas y los bomberos revisen si hay fugas de gas. Haga que ventilen el edificio y el área antes de su regreso. Un agente de servicios calificado debe reparar cualquier fuga, revisar si hay otras fugas, y volver a encender el artefacto por usted.

Disipación del olor - No se detecta ningún olor

- Algunos no pueden detectar el olor del químico artificial añadido al propano (LP) o al gas natural. Usted debe determinar si es capaz de oler la sustancia aromática que contienen estos gases combustibles.
- Aprenda a reconocer el olor del gas propano (LP) y del gas natural. Los distribuidores locales de propano (LP) le darán con gusto un panfleto con muestras de olores. Utilícelo para familiarizarse con el olor del gas combustible.
- El hábito de fumar puede disminuir su sentido del olfato. Exponerse a un olor durante un periodo de tiempo puede afectar su sensibilidad a ese olor específico. Los olores presentes en instalaciones donde se crían animales pueden enmascarar el olor del gas combustible.

- **La sustancia aromática presente en el gas propano (LP) y en el gas natural es incolora y la intensidad de su olor puede desvanecerse en algunas circunstancias.**
- Si hay una fuga subterránea, el recorrido del gas a través del suelo filtrará esta sustancia aromática.
- El aroma del gas propano (LP) puede variar en intensidad a diferentes niveles. Dado que el gas propano (LP) es más pesado que el aire, el olor puede ser más intenso en los niveles más bajos.
- **Manténgase siempre alerta al más mínimo olor a gas.** Si continúa percibiendo el olor a gas, no importa cuán poco sea, proceda como si fuera una fuga seria. Tome medidas inmediatamente como se explicó anteriormente.
- Una prueba olfativa periódica en las proximidades del calentador o en las conexiones del calentador, por ejemplo, en la manguera, los acoples, etc., es una buena medida de seguridad en todo momento. Si huele la más mínima cantidad de gas, PÓNGASE EN CONTACTO CON SU PROVEEDOR DE GAS INMEDIATAMENTE.

Instrucciones de operación

PREPARATIVOS PARA OPERACIÓN

1. Revise el calentador para determinar si sufrió daños durante el envío. Si encontrara alguno, notifíquelo inmediatamente a la fábrica.
2. Siga todas las "Precauciones".
3. Conecte el acople POL de la manguera y el conjunto del regulador al tanque de propano rotando la tuerca POL en sentido contra horario dentro de la válvula de salida del tanque de propano y ajústela con una llave.
4. Conecte la manguera al calentador rotando el acople de la manguera en sentido horario.
5. Apriete fuertemente todas las conexiones de gas.
6. Abra la válvula de gas del tanque y compruebe todas las conexiones de gas con una solución de agua jabonosa. **NO UTILICE LLAMAS.**
7. Conecte el cable de alimentación a un tomacorriente de 115V, 60 Hz, 1Ø con buena conexión a tierra.
8. Si usa un cable de extensión, verifique que tenga 3-conductores (conexión a tierra) y que sea del calibre adecuado.

ENCENDIDO

1. Antes de encender el calentador, siempre haga funcionar el ventilador (soplador) durante 20 segundos para purgar el combustible.
2. Abra lentamente la válvula principal del cilindro de propano.
3. Presione el botón de la válvula de combustible para encender el calentador.
4. Luego de que el calentador se haya encendido, mantenga presionado el botón de la válvula de gas durante 15 segundos y luego suéltelo. El calentador seguirá funcionando.
5. Ajuste la intensidad del calor con la perilla de control al nivel deseado.
6. El encendedor seguirá funcionando mientras el cable de alimentación permanezca enchufado.
7. No se puede usar un termostato con estas unidades.

APAGADO

1. Cierre bien la válvula del cilindro de propano.
2. Siga usando el calentador hasta que todo el combustible de la manguera se haya quemado.
3. Desenchufe el cable de alimentación.

ENCENDIDO DESPUÉS DE UN APAGADO DE SEGURIDAD

1. Cierre bien la válvula del cilindro de propano. Desenchufe el calentador.
2. Espere 5 minutos.
3. Vuelva a encenderlo siguiendo el procedimiento de "Encendido".

MANTENIMIENTO Y ALMACENAMIENTO

1. Debe inspeccionar el calefactor antes de cada uso y hacerlo revisar por una persona calificada una vez por año.
2. Antes de cada uso, revise siempre el sello del anillo de goma que se encuentra en el extremo del acople del POL. Si el anillo de goma presenta cortes, raspaduras o cualquier otro daño, reemplácelo por la parte número 73786.
3. Cierre la salida de gas en el tanque(s) de suministro de gas LP cuando no esté utilizando el calentador.
4. Cuando deba guardar el calentador en un lugar cerrado, deberá desconectar la conexión entre el tanque(s) de suministro de gas LP y el calentador, y deberá retirar el tanque(s) del calentador y guardarlo en un lugar al aire libre, como se especifica en el Capítulo 5 de los estándares ANSI/NFPA 58 y CSA B149.1 para almacenamiento y manipulación de gases de petróleo líquido del Código de instalación de propano y gas natural.

Tamaño y capacidad de los tanques de propano necesarios

Los gráficos de la página siguiente muestran el tamaño aproximado de tanque que necesitan estos calentadores. Para utilizar el gráfico:

1. Seleccione la temperatura de aire mínima esperada (parte inferior del gráfico).
2. Ascienda en la vertical hasta encontrar el tiempo de funcionamiento deseado (a la izquierda del gráfico)
3. Lea el tamaño de tanque requerido.

Todos los calentadores deben:

- tener los tanques llenos
- tener buena circulación de aire
- no tener escarcha en los cilindros

Servicio

Se puede producir una situación de riesgo si se utiliza un calentador cuya configuración original haya sido modificada o si no está funcionando correctamente. Cuando el calentador funciona correctamente:

- La llama arde al interior del calentador.
- La llama es fundamentalmente azul y puede tener algunas terminaciones amarillas.
- No se percibe un olor desagradable fuerte, no arden los ojos y no hay ningún otro tipo de incomodidad física.
- No hay humo ni hollín dentro ni fuera del calentador.
- El calentador no se apaga inesperadamente o inexplicablemente.

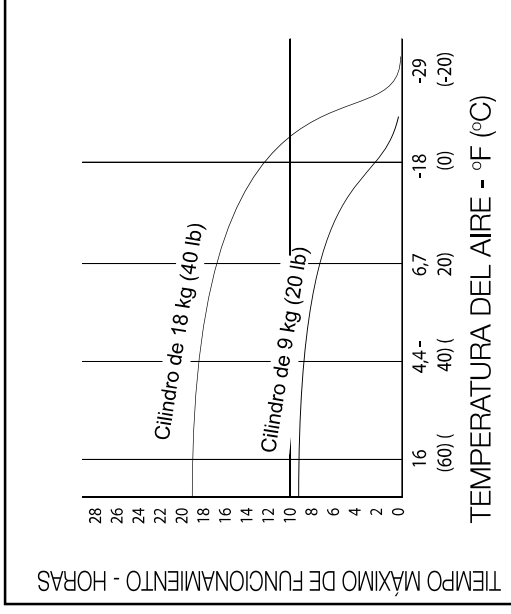
Las listas de partes y el diagrama de cableado muestran la configuración original del calentador. No utilice un calentador que sea diferente del que se muestra. En este sentido, utilice únicamente la manguera, el regulador y el acople de conexión (denominado acople POL) suministrados con el calentador. **IMPORTANTE** Haga coincidir la franja de color de la etiqueta colgante que se encuentra en el acople de la manguera con el color de la etiqueta situada cerca del acople de entrada del propano en el calentador. No utilice partes alternativas. Para este calentador, el regulador debe estar instalado como se muestra en las "Especificaciones". Si hay alguna duda acerca de la instalación del regulador, haga que lo revisen.

Si un calentador no funciona correctamente debe ser reparado, pero solo por un técnico de mantenimiento capacitado y experimentado.

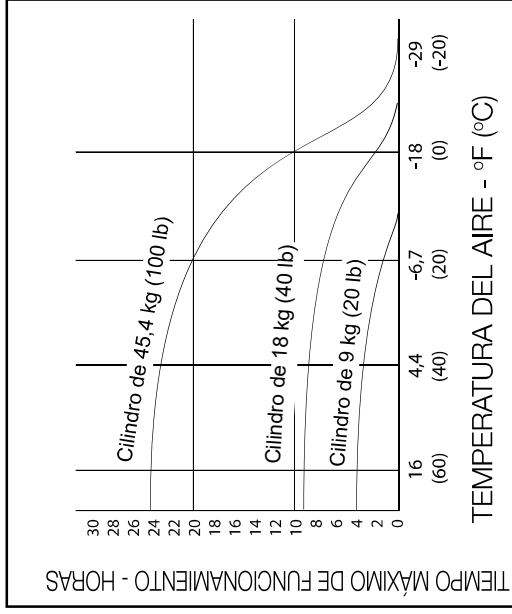
Para los productos en garantía la reparación se realizará sin costos de piezas ni mano de obra. Por favor incluya una breve declaración indicando la fecha y lugar de compra, la naturaleza del problema y el comprobante de compra.

La reparación de los productos que se encuentren fuera del período de garantía incluirá costos de piezas y mano de obra.

65.000 BTU/HR (16,1 kW)



90.000 BTU/HR (33,4 kW)



Diagramas de cableado DXH65FAV/DXH90FAV

NOTA: Si debe reemplazar cualquiera de los cables que vienen con el calentador, use cable tipo AWG 105 °C o su equivalente, a menos que se especifique lo contrario (tipo SF 2.200, **SGL-250° C).

DIAGRAMA DE CONEXIONES

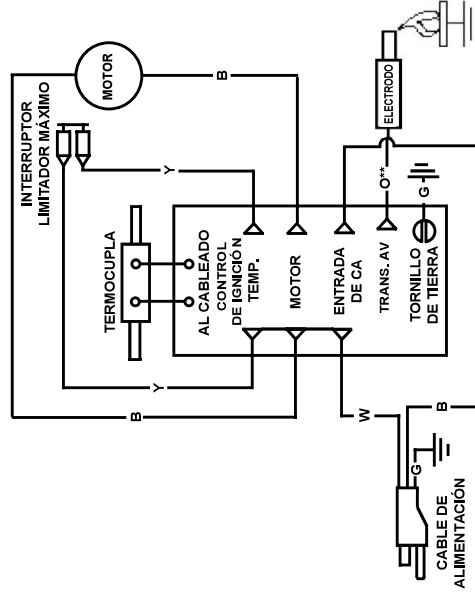
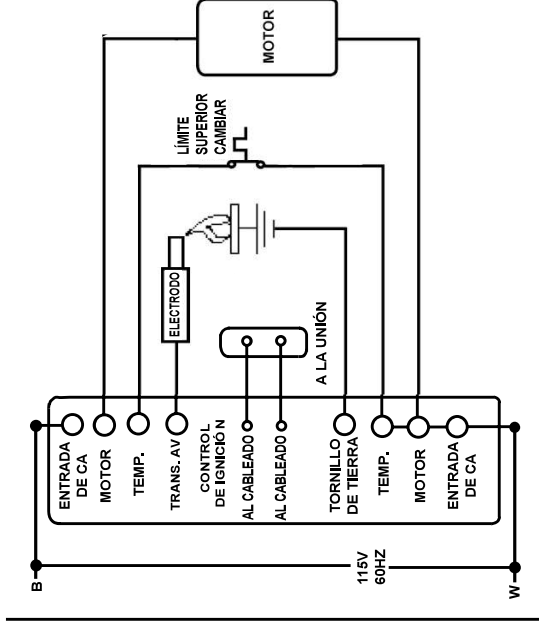


DIAGRAMA ESQUEMÁTICO



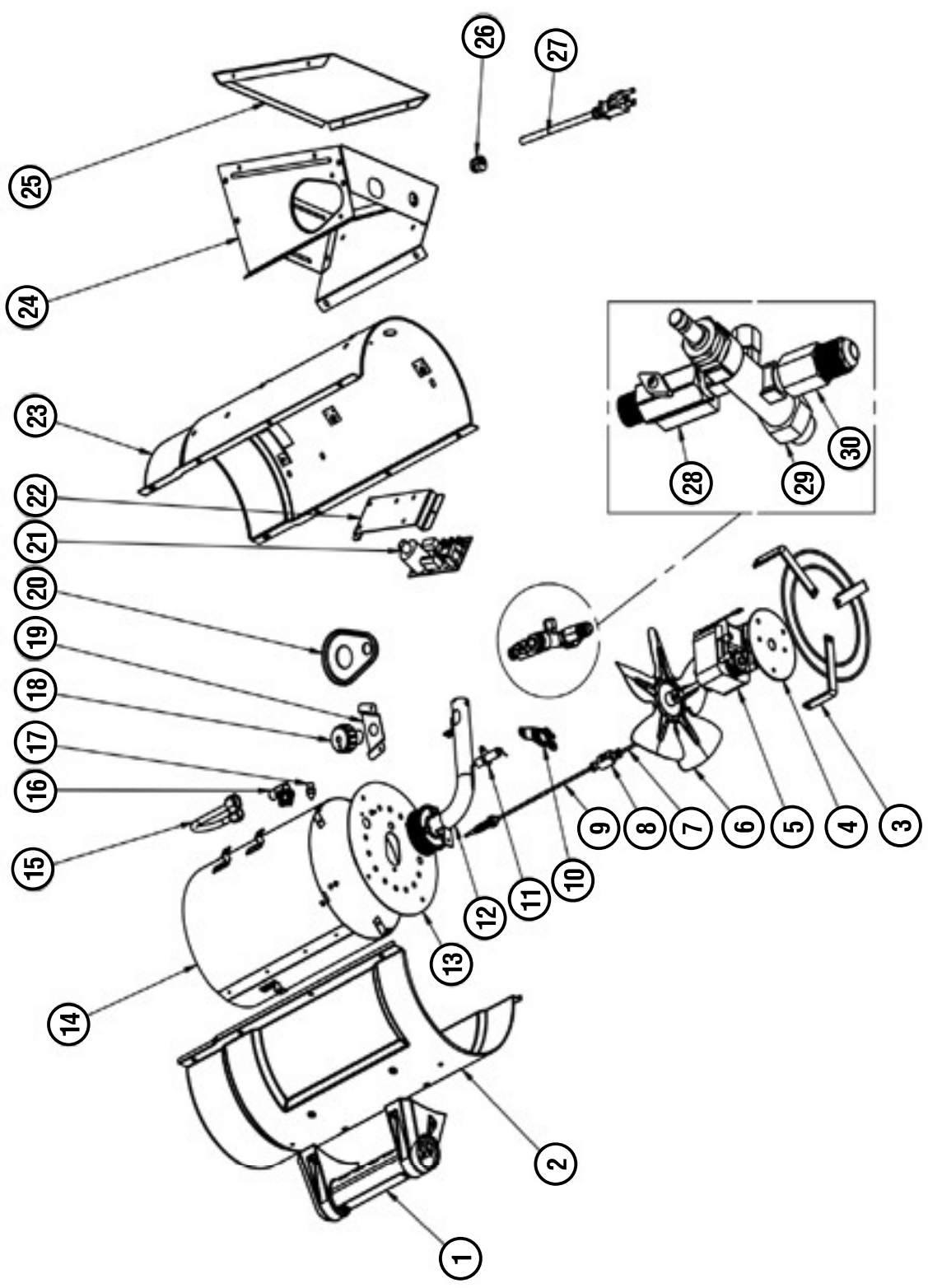
CÓDIGO DE COLORES	REFERENCIA
B NEGRO	R ROJO
Y AMARILLO	W BLANCO O NARANJA
G VERDE	

CUADRO DE CONEXIONES (Cable: tipo AWG 150 °C o equivalente (tipo SF2-200, **SGL-250 °C))

Color	Largo	Desde	Hasta
Amarillo	406 mm (18")	Limitador de máximo	Terminal de control de temp. de ignición
Amarillo	406 mm (18")	Limitador de máximo	Terminal de control de temp. de ignición

Parts List DXH65FAV

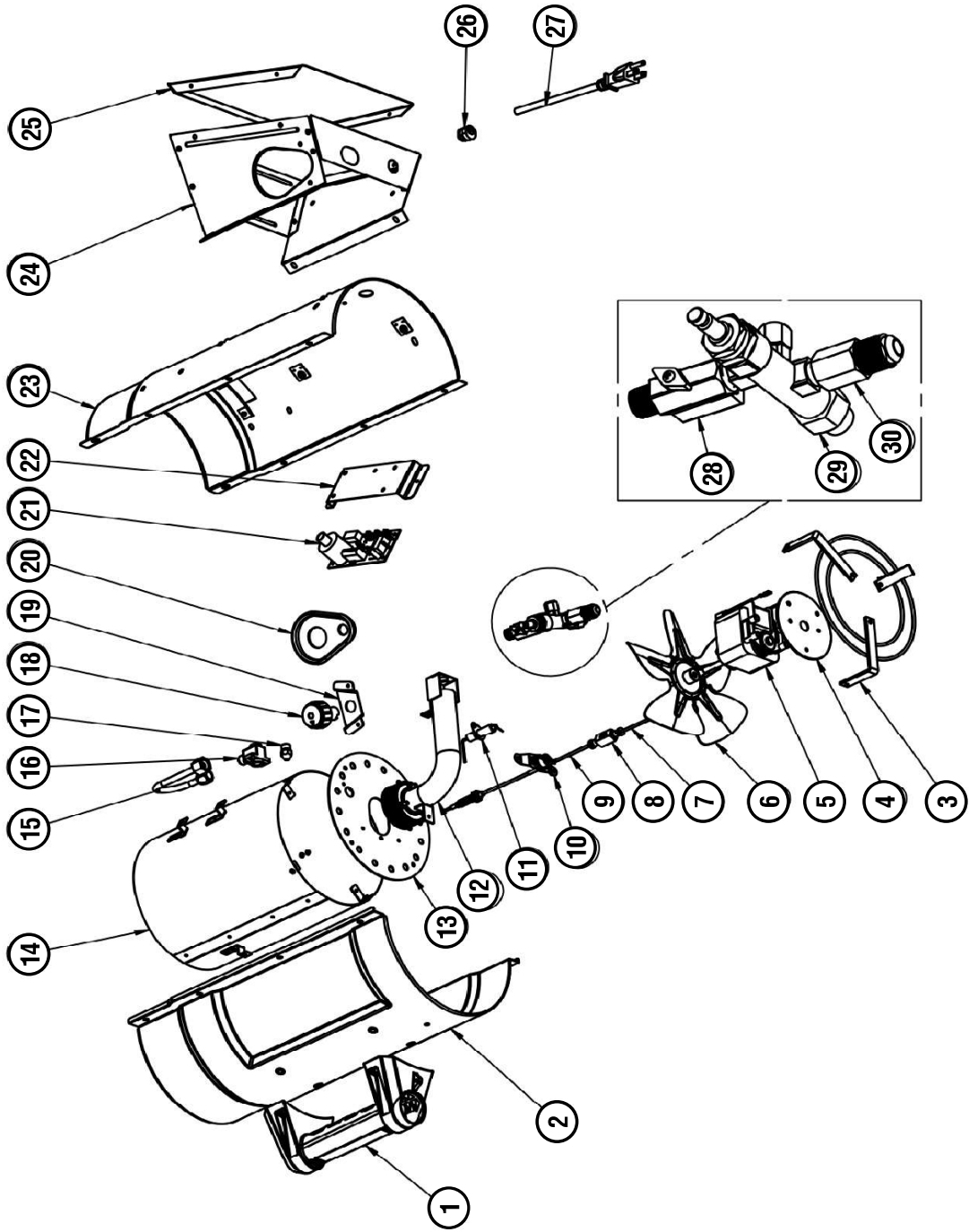
REF. #	ITEM#	DESCRIPTION	REF. #	ITEM#	DESCRIPTION
1	40801	Manija	19	40876	Soporte, plástico, inserto
2	40886	Barril, parte superior	20	40878	Soporte, plástico, inserto
3	40880	Cubierta posterior	21	23276	Módulo de ignición/relé
4	N/A	Soporte, montaje del motor	22	23045	Soporte, contacto
5	21652	Motor	23	40887	Barril, parte inferior
6	26086	Paletas del ventilador	24	40874	Base, metal
7	26656	Termocupla, conector	25	40875	Base, metal, panel inferior
8	26134	Bloque de compresión, relé	26	26223	Casquillo de alivio de la tensión
9	26655	Termocupla de 10"	27	21036	Cable de alimentación
10	27445	Control de límite superior	28	27457	Válvula, variable
11	40904	Electrodo, ignición	29	40884	Válvula, gas, principal
12	27505	Conjunto quemador	30	26127	Adaptador, conector macho
13	27447	Mecanismo de soporte de la llama	*	21667-15	hose/regulator assembly
14	27506	Pantalla, radiación	*No se muestra		
15	40998	Tubo de combustible			
16	27450	Tuerca de montaje del orificio			
17	27451	Orificio, LP			
18	40879	Perilla, variable, válvula			



Parts List DXH90FAV

Español

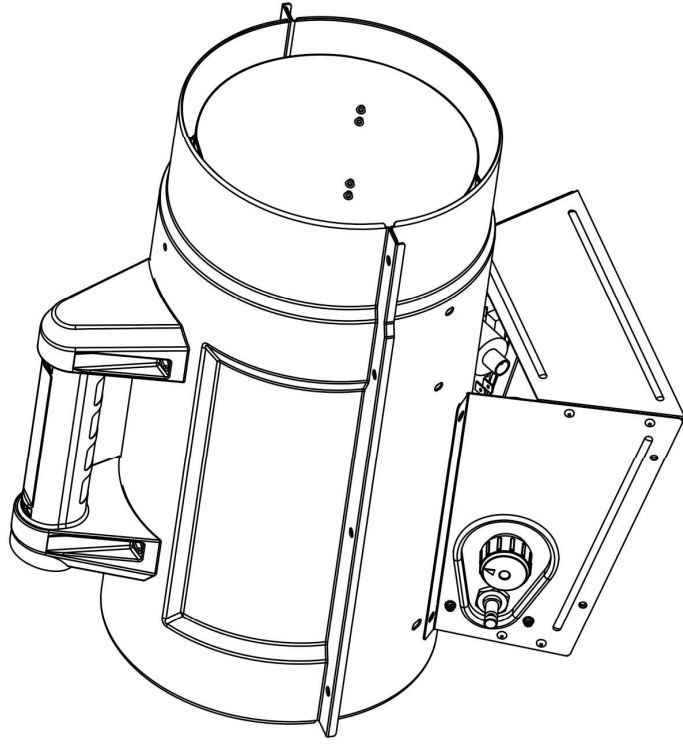
REF. #	ITEM#	DESCRIPTION	REF. #	ITEM#	DESCRIPTION
1	40801	Manija	19	40876	Soporte, plástico, insertar
2	40886	Barril, parte superior	20	40878	Soporte, plástico, inserto
3	40880	Cubierta posterior	21	23276	Módulo de ignición/relé
4	40701	Soporte, montaje del motor	22	23045	Soporte, contacto
5	21652	Motor	23	40887	Barril, parte inferior
6	26086	Paletas del ventilador	24	40874	Base, metal
7	26656	Termocupla, conector	25	40875	Base, metal, panel inferior
8	26134	Bloque de compresión, relé	26	26223	Casquillo de alivio de la tensión
9	26655	Termocupla de 10"	27	21036	Cable de alimentación
10	27439	Control de límite superior	28	27489	Válvula, variable
11	40904	Electrodo, ignición	29	40884	Válvula, gas, principal
12	27490	Conjunto quemador	30	26127	Adaptador, conector macho
13	27485	Mecanismo de soporte de la llama	*	40923	hose/regulator assembly
14	27506	Pantalla, radiación	*No se muestra		
15	40956	Tubo de combustible			
16	40900	Tuerca de montaje del orificio			
17	27487	Orificio, LP			
18	40879	Perilla, variable, válvula			





MANUAL DE INSTRUCCIONES

Calentador de propano a aire forzado para construcción DXH65FAV, DXH90FAV



Advertencia:

Use solamente partes de repuesto del fabricante. El uso de cualquier otra parte podría causar heridas o la muerte. Las partes de repuesto están disponibles únicamente en la fábrica y deben ser instaladas por una agencia de servicio calificada.

INFORMACIÓN PARA ORDENAR PARTES:

COMPRAS: Puede comprar accesorios en cualquier distribuidor local de DeWalt® o directamente de la fábrica

POR INFORMACIÓN ACERCA DE SERVICIO:

Llame sin cargo al 855-805-5745
www.dewalt.com

Nuestro horario de trabajo es de 8:00 AM a 5:00 PM, de lunes a viernes, hora del este.

Por favor, incluya el número de modelo, la fecha de compra y la descripción del problema en todas sus comunicaciones.

GARANTÍA LIMITADA:

DeWalt® garantiza la calidad material y la factura de sus calefactores y sus accesorios por un período de 1 año a partir de la fecha de compra. DeWalt® reparará o reemplazará este producto sin cargo si se encuentra defectuoso dentro del período de 1 año, luego de retornarlo (por cuenta del cliente) junto con un comprobante de compra a DeWalt® dentro del período de garantía.



DEWALT®, GUARANTEED TOUGH® y la combinación de colores amarillo y negro son marcas registradas de DEWALT Industrial Tool Co., usadas bajo licencia. ©2013 DEWALT. EGI/Enerco Group Inc. bajo licencia de Dewalt Industrial Tool Co.

Intertek

Z83.7-2011 CSA 2.14-2011