

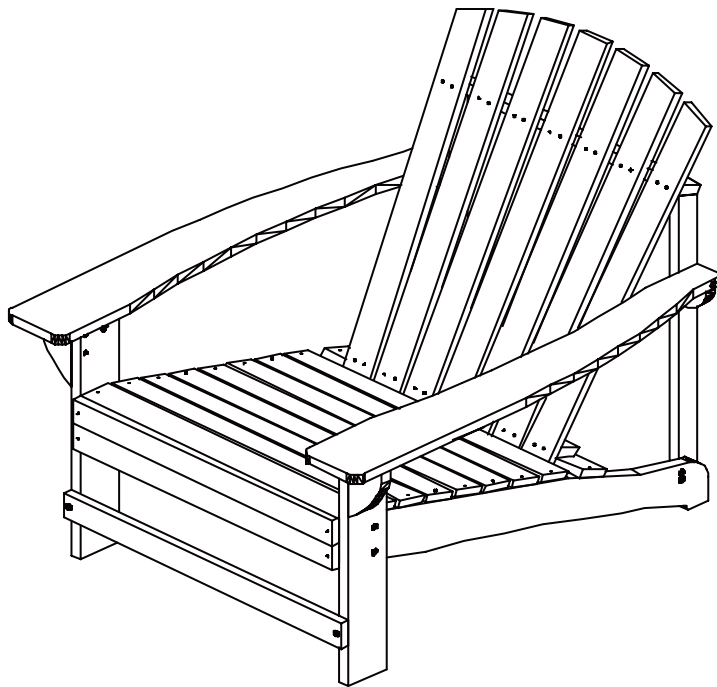


Item # 1001880858

Model # 11061-2

USE AND CARE GUIDE

UNFINISHED ADIRONDACK CHAIR



Questions, problems, missing parts? Before returning to the store,
call Hampton Bay Customer Service
8 a.m. - 7 p.m., EST, Monday - Friday,
9 a.m. - 6 p.m., EST, Saturday

1-855-HD-HAMPTON

HAMPTONBAY.COM

THANK YOU

We appreciate the trust and confidence you have placed in Hampton Bay through the purchase of this chair. We strive to continually create quality products designed to enhance your home. Visit us online to see our full line of products available for your home improvement needs. Thank you for choosing Hampton Bay!

Table of Contents

Table of Contents	2	Hardware Included.	3
Safety Information	2	Chair Package Contents.	4
Warranty	2	Assembly.	5
What is covered	2	Care and Cleaning	6
What is not covered.	2	Troubleshooting	6
Pre-Assembly	3		
Planning Assembly.	3		

Safety Information



CAUTION: Read all of the instructions in this manual before you begin assembly. Failure to do so may result in faulty assembly and potential injury!

Warranty

1 YEAR LIMITED WARRANTY ONLINE

WHAT IS COVERED

We warranty the product to be free of manufacturing defects to the original purchaser for one year.

WHAT IS NOT COVERED

It remains the customer's responsibility for freight and packaging charges to and from our service center. This warranty does not cover commercial use, hardware, acts of nature, freezing, or abusive use. In addition, purchased parts are not covered under this warranty.

We reserve the right to make substitutions with similar merchandise, if the model in question is no longer in production.

Contact Customer Care at 1-855-HD-HAMPTON or visit www.hamptonbay.com.

Pre-Assembly

PLANNING ASSEMBLY

Please read this entire instruction manual prior to assembly.

Identify all parts packed in the carton against the parts list. Remove all protective materials and place the parts on a non-abrasive surface to avoid scratching.

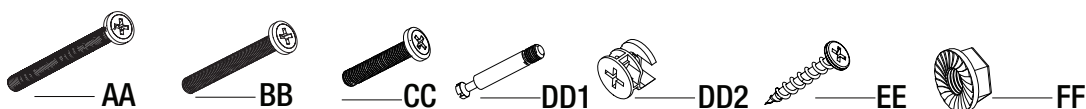


NOTE: More than one person may be required to assemble this product.

HARDWARE INCLUDED

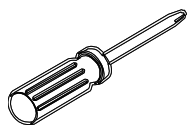


NOTE: Hardware shown to actual size .

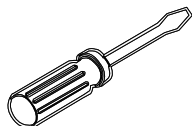


Part	Description	Quantity
AA	M6X70 Bolt	2+1
BB	M6X60 Bolt	2+1
CC	M6X45 Bolt	10+1
DD1	M6X40 Cam Bolt	2+1
DD2	Φ 14.5x12 Cam Lock	2+1
EE	Φ 3.5x30 Self-tapping Screw	2+1
FF	Nut	18

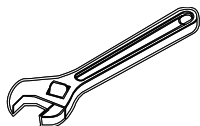
TOOLS REQUIRED (NOT INCLUDED)



Phillips screwdriver



Flathead Screwdriver



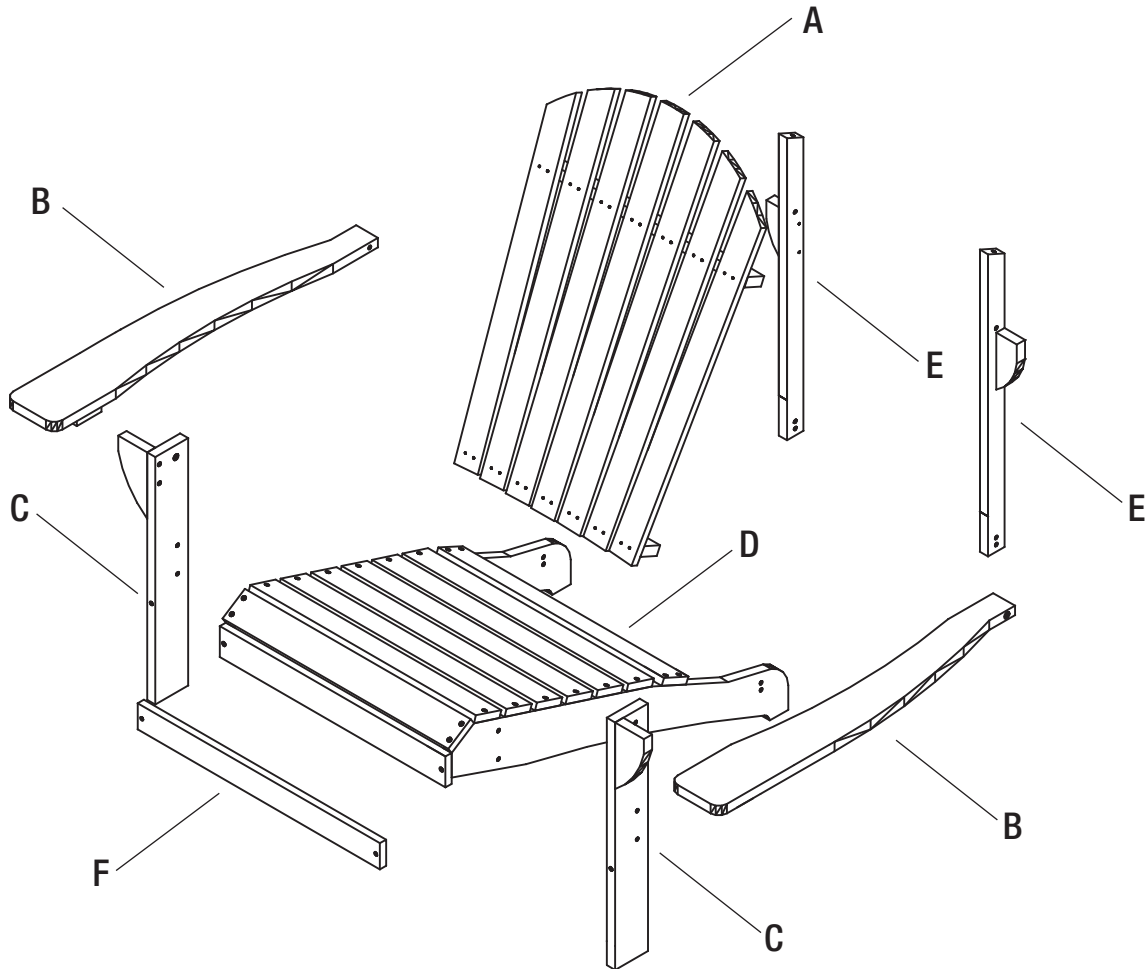
Wrench

Pre-Assembly (continued)

CHAIR PACKAGE CONTENTS



IMPORTANT: Do not fully tighten bolts/screws until all pieces are loosely assembled.

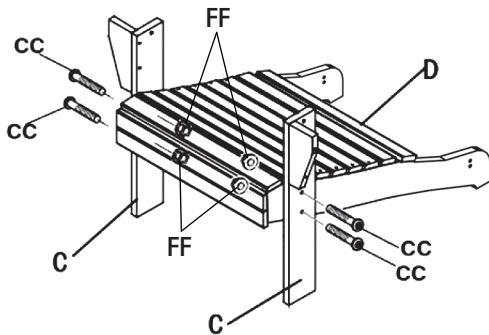


Part	Description	Quantity
A	Back Rest	1
B	Arms (Left and Right)	2
C	Front Legs (Left and Right)	2
D	Seat	1
E	Back Brackets (Left and Right)	2
F	Front Leg Cross Beam	1

Assembly

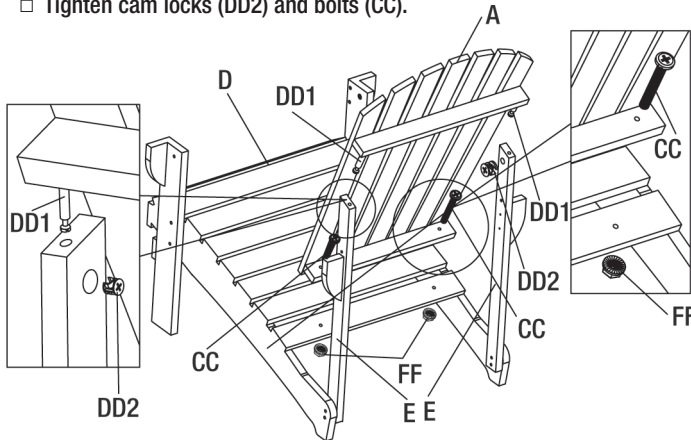
1 Attaching the front legs to the seat

- Attach the front legs (C) to the seat (D) with bolts(CC). Do NOT completely tighten at this time.



3 Installing the back rest

- Attach bolts (DD1) to back rest (A).
- Attach the back rest (A) to the seat (D) with bolts (CC) and back brackets (E) with cam bolts (DD1), Adjust the back brackets (E) to align the holes if necessary.
- Secure the back rest (A) and back brackets (E) with cam locks (DD2).
- Tighten cam locks (DD2) and bolts (CC).

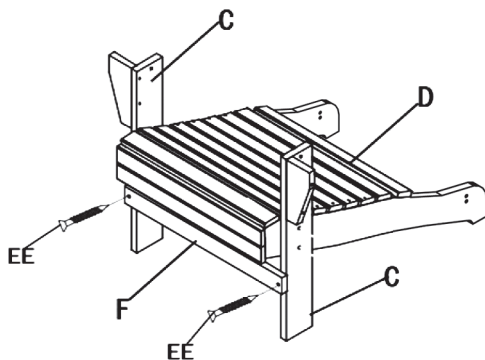


5 Securing the seat

- Secure the seat (D) and the front legs (C) by attaching the cross beam (F) using self-tapping screws (EE).



NOTE: Please ensure all the bolts are assembled correctly and use the screwdriver or wrench to tighten. Do not fully tighten bolts/screws until all pieces are loosely assembled.

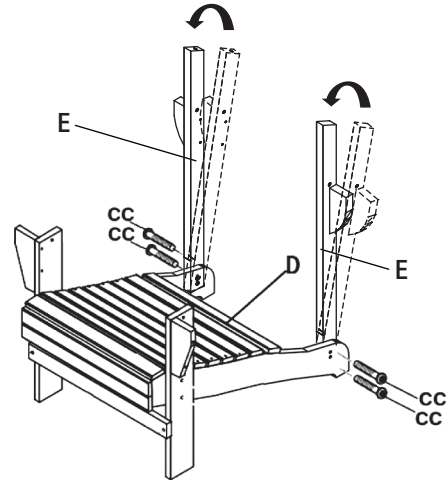


2 Installing the back bracket

- Attach the back brackets (E) to the seat (D) with bolts (CC). Do NOT completely tighten at this time.



NOTE: Please ensure all the bolts are assembled correctly and use the screwdriver or wrench to tighten. Do not fully tighten bolts/screws until all pieces are loosely assembled.

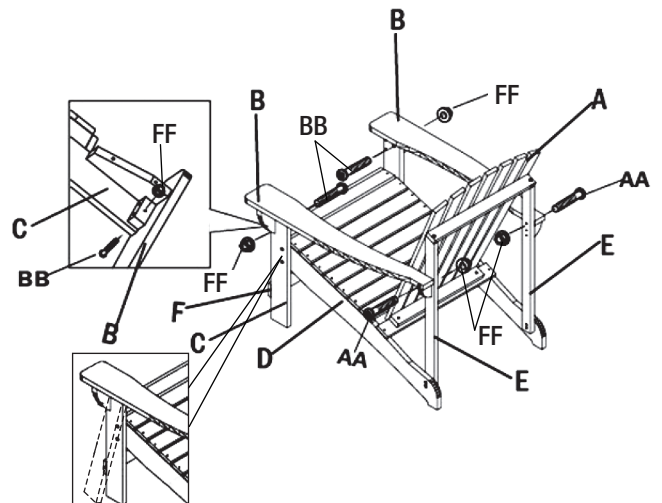


4 Assembling the arms

- Secure the back brackets (E) and the arms (B) together with bolts (AA) and nuts (FF).
- Secure the front legs (C) and the arms (B) with bolts (BB) and nuts (FF).
- Adjust the front legs (C) to align the holes if necessary.



NOTE: Please check the chair and bolts are properly aligned and then fully tighten all the screws/bolts.



6 Fully tighten all the screws/bolts

- Fully tighten all the screws/bolts

Care and Cleaning

- Do not allow water to build up in the frames. This will cause corrosion and possible freezing damage in cold climates.
- Use a mild soap and water for normal cleaning. Do not use janitorial or alcohol based cleaners. Some cleaners may be marked as natural, but some ingredients may cause discoloration or have an adverse reaction to your finish.
- Rinse with clean water and dry with a soft, absorbent cloth towel.
- Treat the frames with a liquid wax for maximum protection against UV rays and/or salty, damp air.

Troubleshooting

Problem	Solution
Assembly holes do not line up.	Do not fully tighten bolts/screws until all pieces are loosely assembled.



Questions, problems, missing parts? Before returning to the store,
call Hampton Bay Customer Service
8 a.m.-7 p.m., EST, Monday-Friday,
9 a.m.-6 p.m., EST, Saturday

1-855-HD-HAMPTON

HAMPTONBAY.COM

Retain this manual for future use.