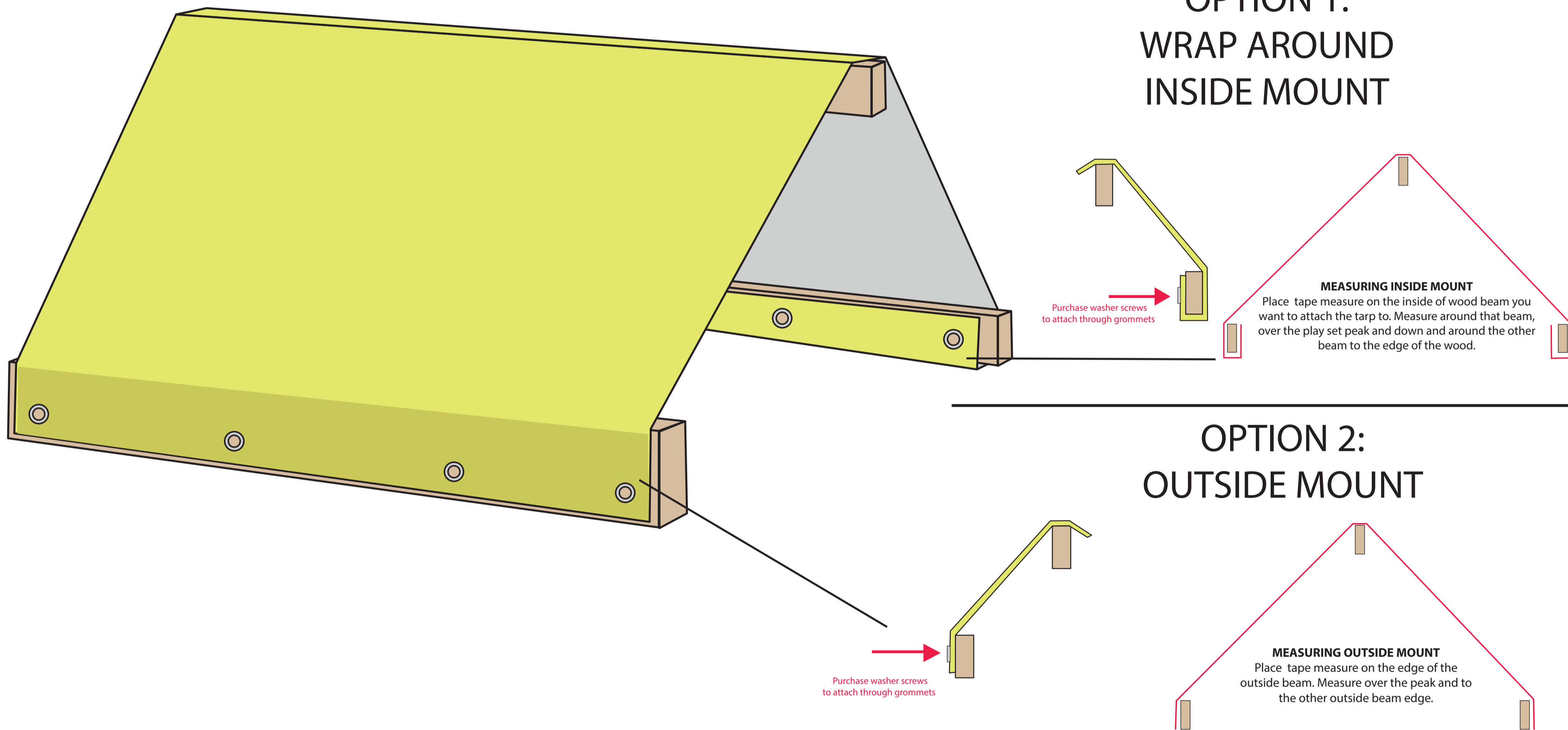




2 WAYS TO ATTACH TO PLAYSET

Some playsets will allow you to wrap the canopy around the beam for an inside mount (option 1). Others will have spindles or obstructions that will not allow the tarp to wrap around for an inside mount, so the tarp would mount to the outside of the beam (option 2).

IMPORTANT TRIM VARIANCE: There is a total trim variance of 1". Meaning the final tarp size may be anywhere from the exact size you order to 1" shorter.



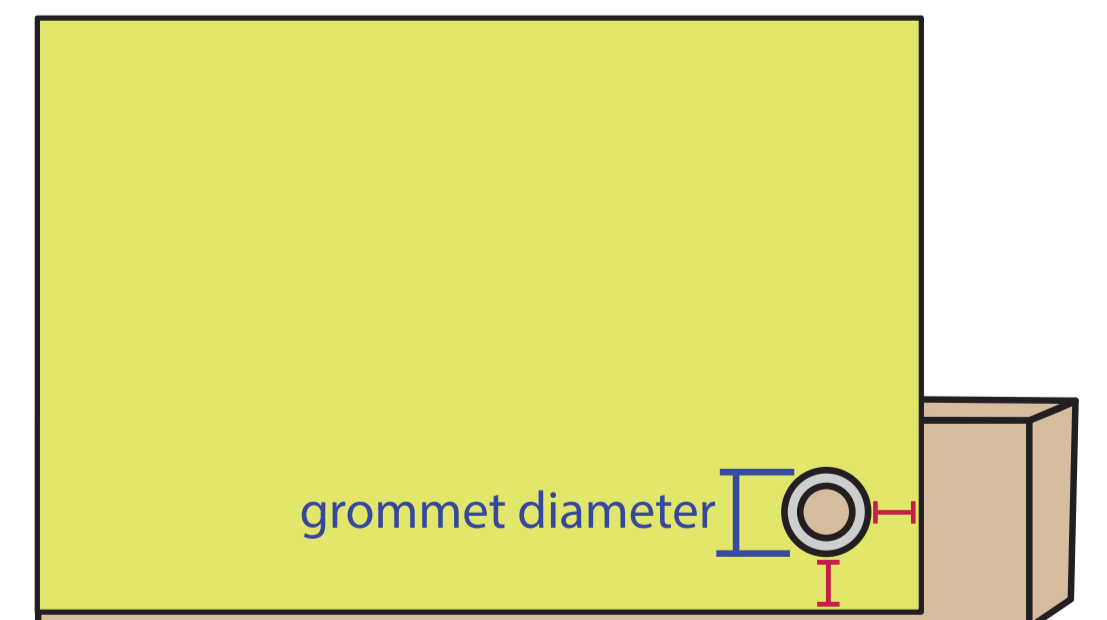
GROMMETS AND TRIM VARIANCE

There is a total trim variance of 1". Meaning the tarp may trim anywhere from the exact size you order to 1" shorter.

Unfortunately trimming and sewing tarps is not an exact process. We try our best to trim and hem to your exact dimensions, but The tarp may trim anywhere from the exact ordered size to 1" shorter than your ordered size. Please take that into consideration when ordering .

Grommets are placed 1/4" to 1/2" from the trim edge. So if measuring from the screw holes from your previous, please make sure you add on .5 to 1" to accomodate the grommet distance.

Use **washer screws** to attached through grommets (washer screws are not included, but can be found at any hardware store)



Grommet Placement: 1/4" to 1/2" from the trim edge
Grommet Dimesions: 3/4" outer diameter with a 3/8" hole
Grommets placed every 1-2 feet