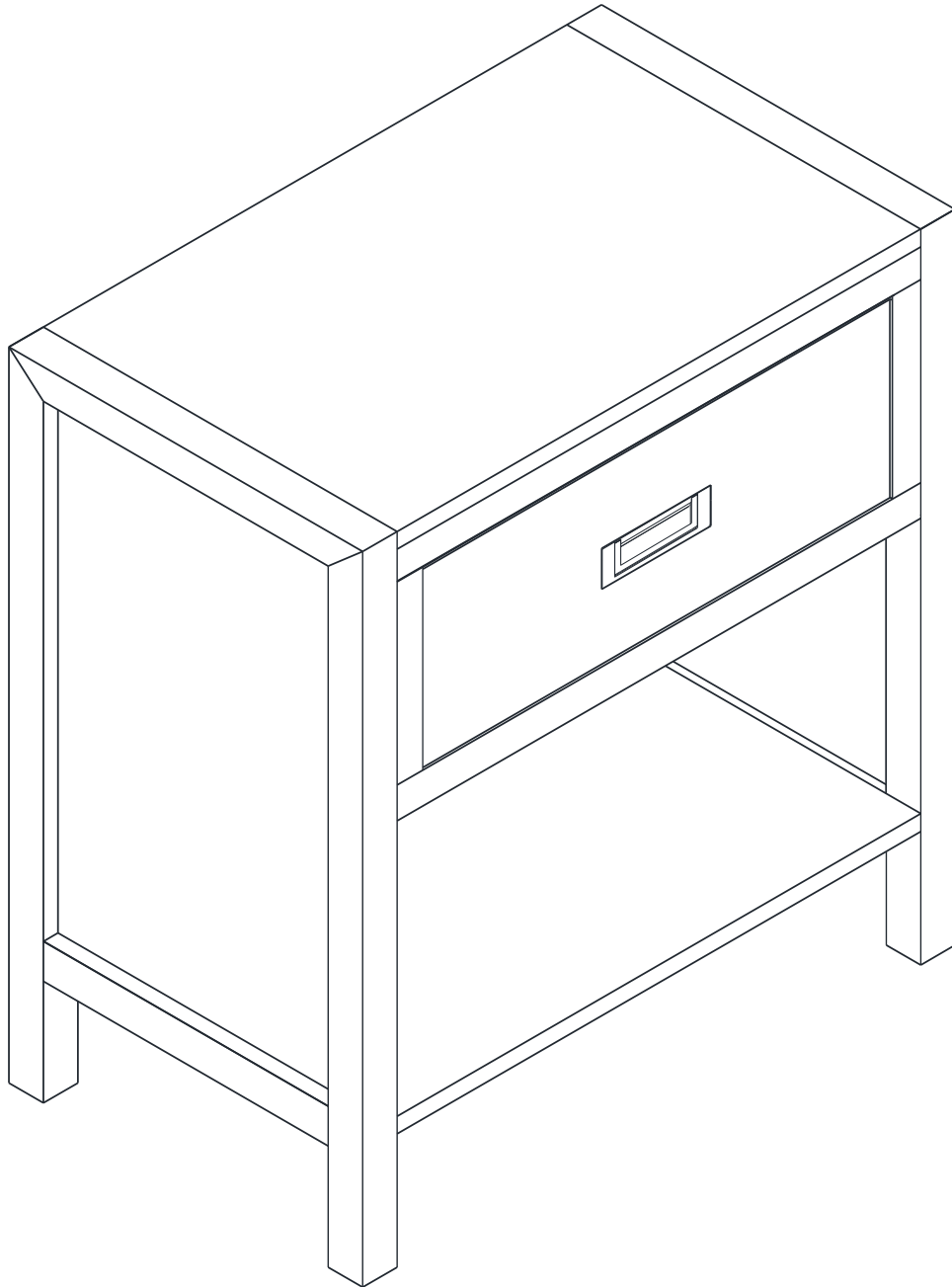


Item # : BR1DLYDNS

Assembly Instructions



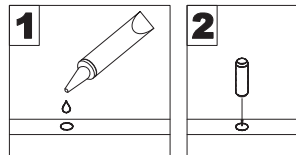
Walker
Edison®

Please visit our website for the most current instructions, assembly tips, report damage, or request parts. www.walkerredison.com

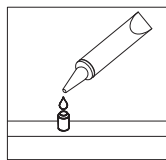
Revised 10/2019

General Assembly Guidelines

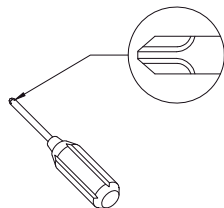
- I. Ensure that all parts and hardware are available before beginning assembly.
- II. Follow each step carefully to ensure the proper assembly of this product.
- III. Two people are recommended for ease in the assembly of this product.
- IV. The three main types of hardware used to assemble this product are wood dowels, screws and bolts.
- V. The provided glue is to secure wood dowels in place . When first inserting dowels , locate the appropriate hole for the dowel , place a small amount of glue in the hole and insert the dowel . Wipe away excess glue immediately.



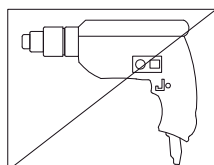
In future assembly steps when dowels are necessary to attach assembly parts together , place a small amount of glue on the end of the dowel before attaching parts together . Wipe away excess glue immediately.



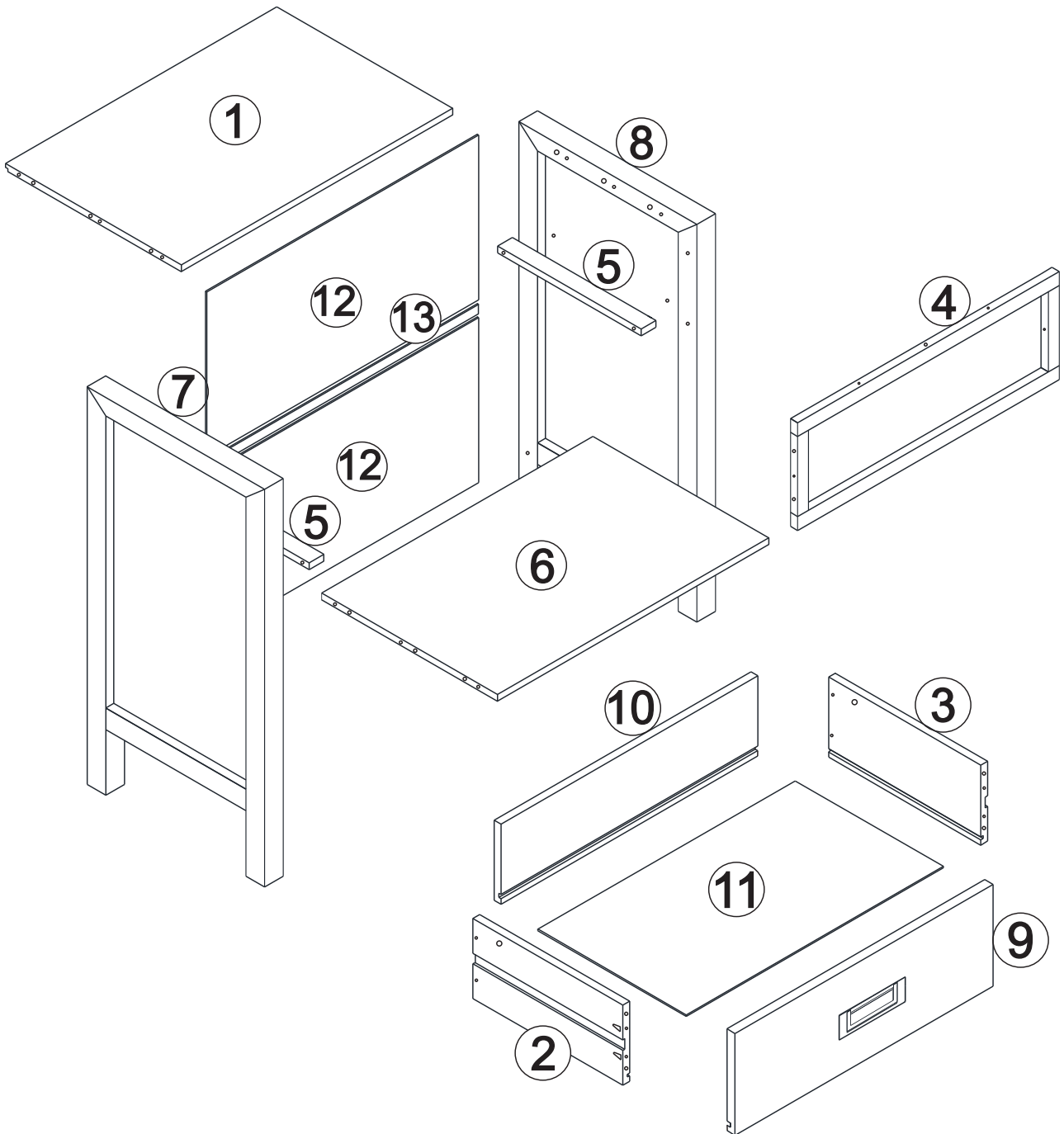
- VI. A Phillips head screwdriver is required for the assembly of this product.



- VII. Power tools should not be used to assemble this product.

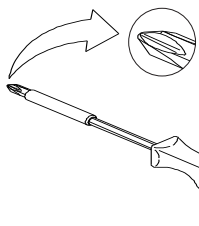


Parts List



Hardware List

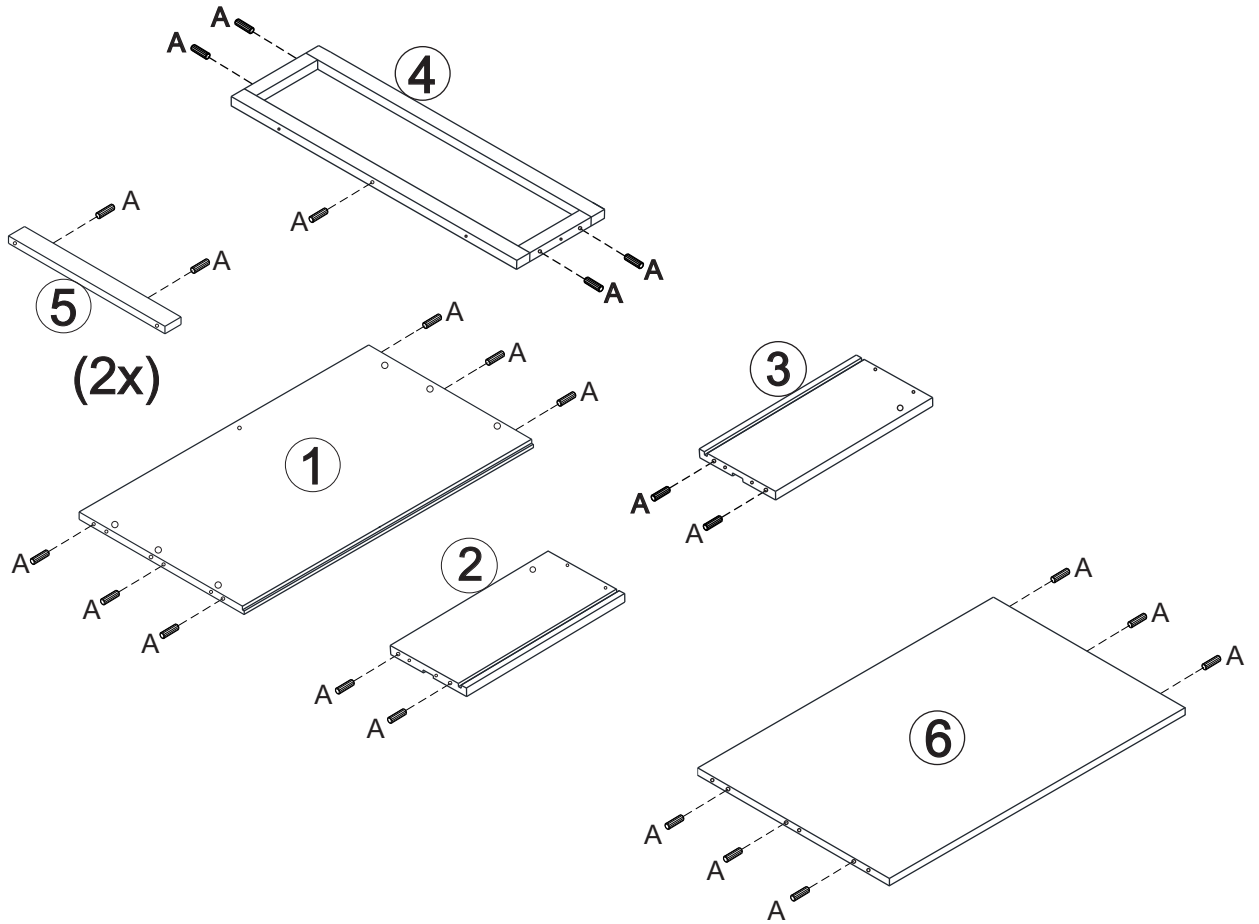
A		Ø8,0 x 30mm	Wood Dowel	25x
B		Ø4,0 x 40mm	Screw	8x
C		Ø4,0 x 30mm	Screw	14x
D		Ø14 x 14mm	Cam Lock	6x
E		Ø3,0 x 12mm	Screw	2x
F		96 x 40mm	Puller	1x
H		Ø10 x 10mm	Nail	18x
I		Ø5,5 x 28mm	Screw	6x



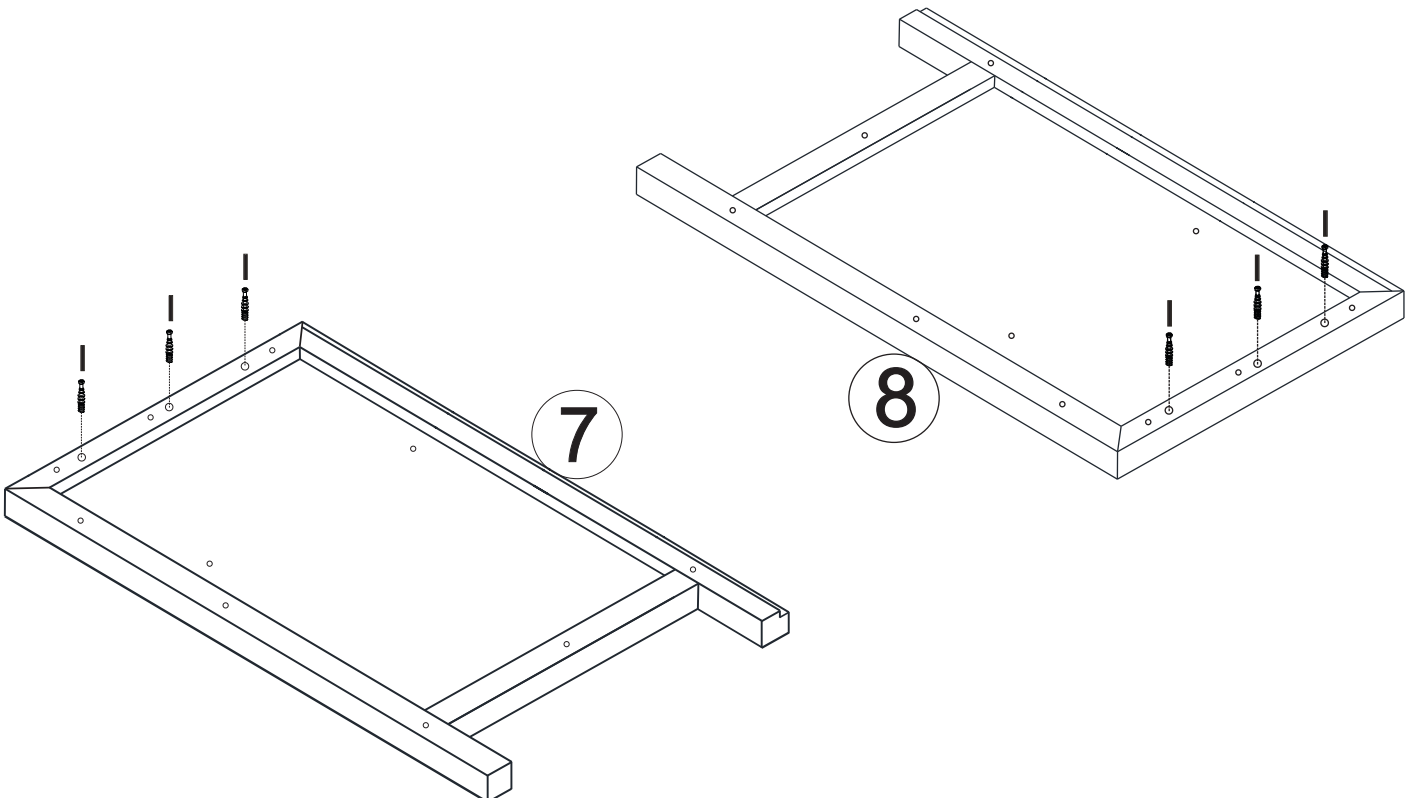
Philips head screwdriver required for assembly
(not included)

The hardware quantities listed above are required for proper assembly
Some extra hardware may also have been included

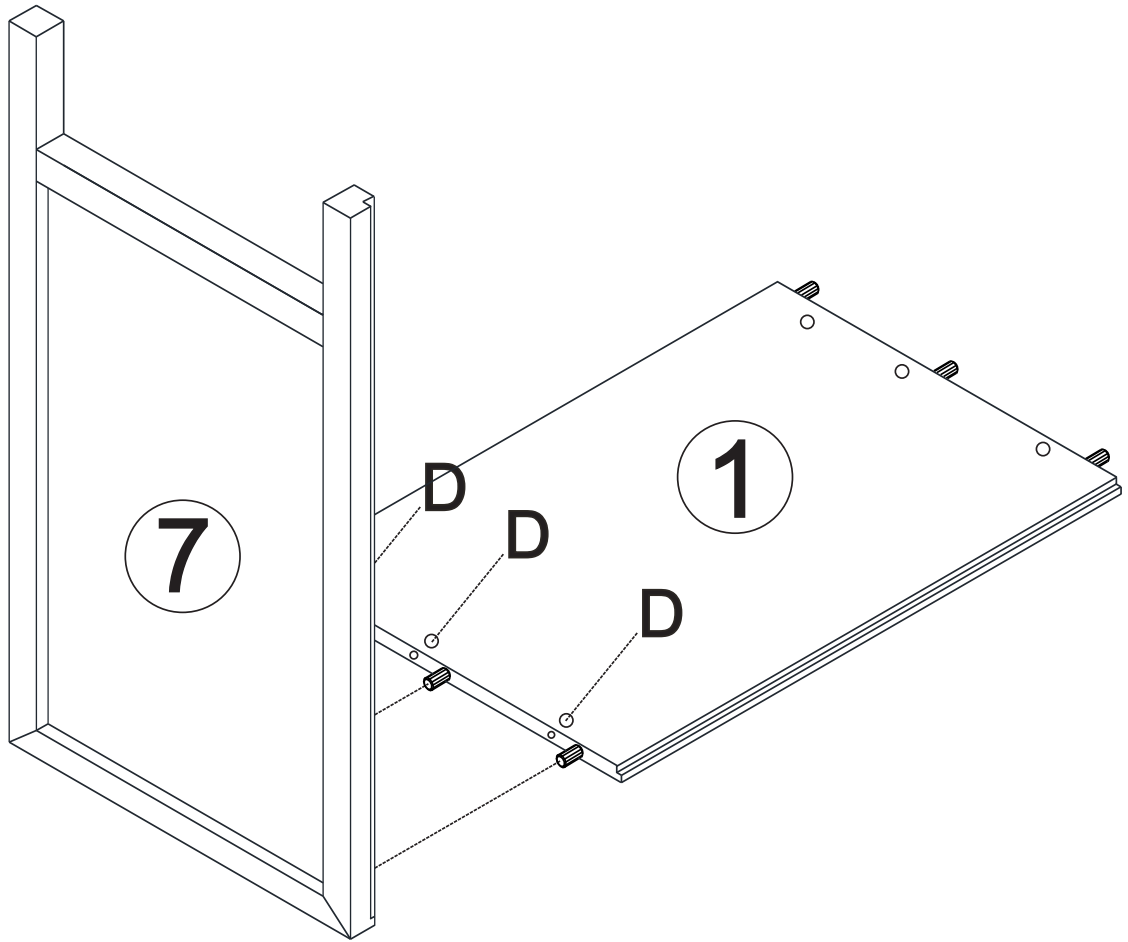
Step 1 Insert wood dowel A (x25) into parts (1),(2),(3),(4),(5),(6).



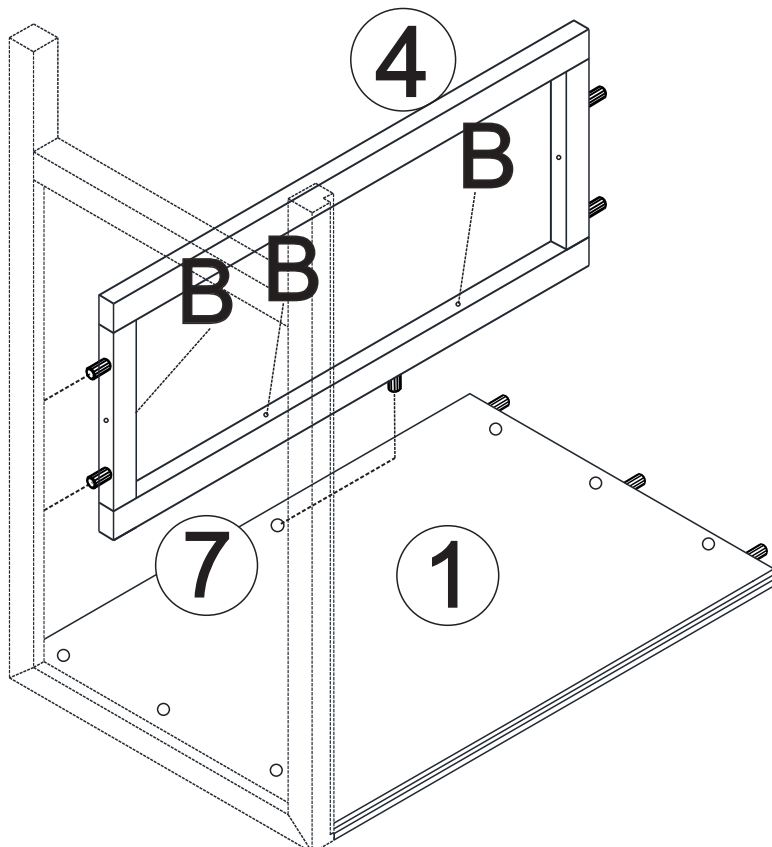
Step 2 Insert Cam Lock I (x6) into parts (8),(9).



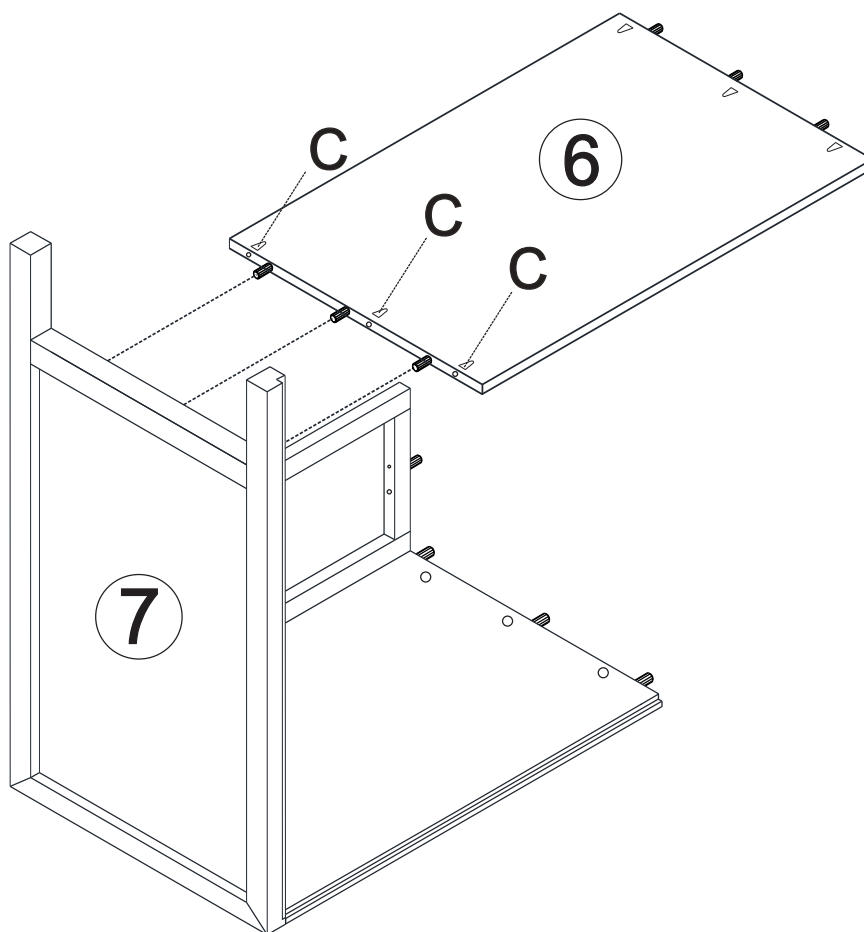
Step 3 Insert Cam lock D (x3) into parts (1),(7).



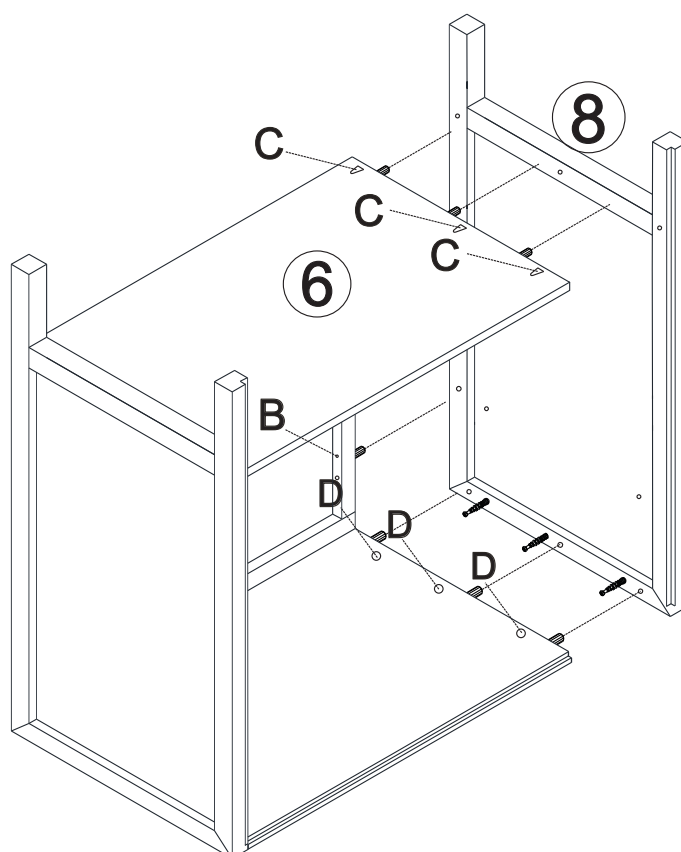
Step 4 Insert screw B (x3) into parts (1),(4),(7).



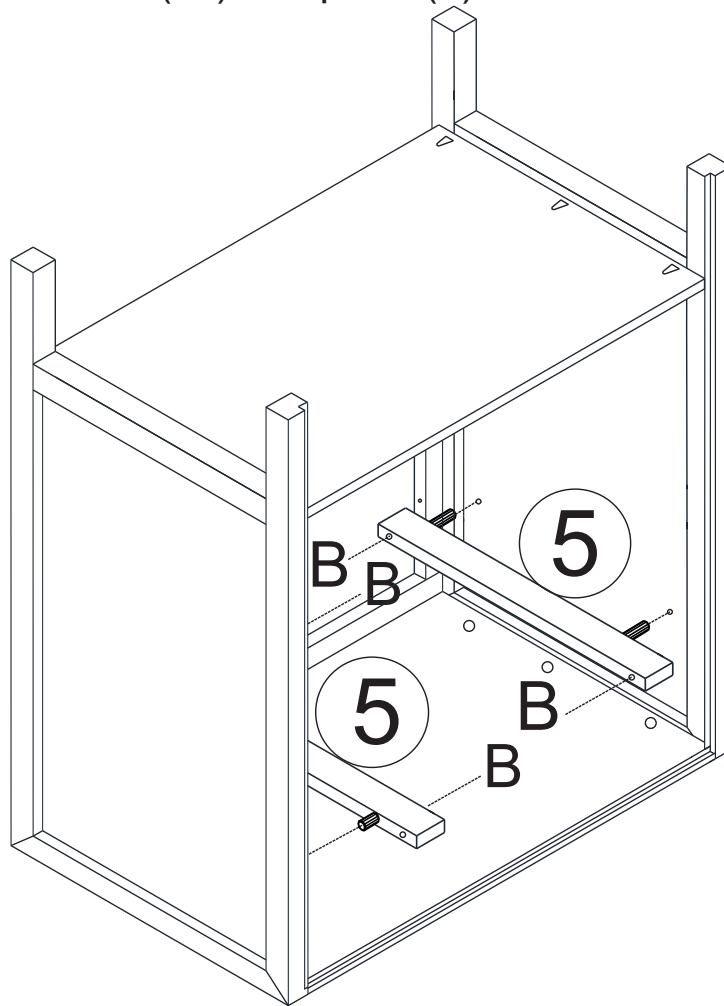
Step 5 Insert screw C (x3) into parts (6),(7).



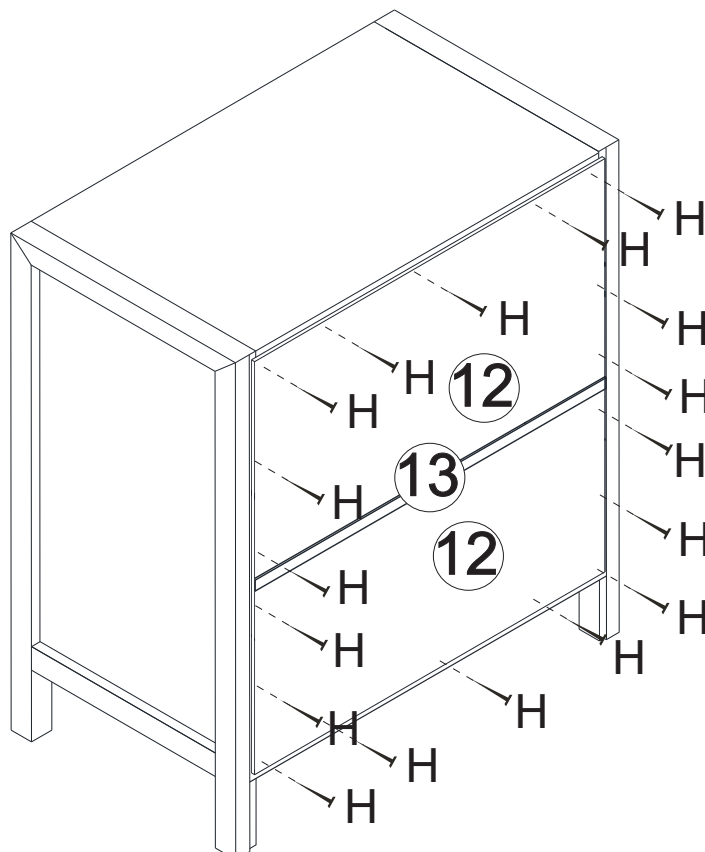
Step 6 Insert screw B (x1), C (x3) Cam lock D (x3) into parts (6),(8).



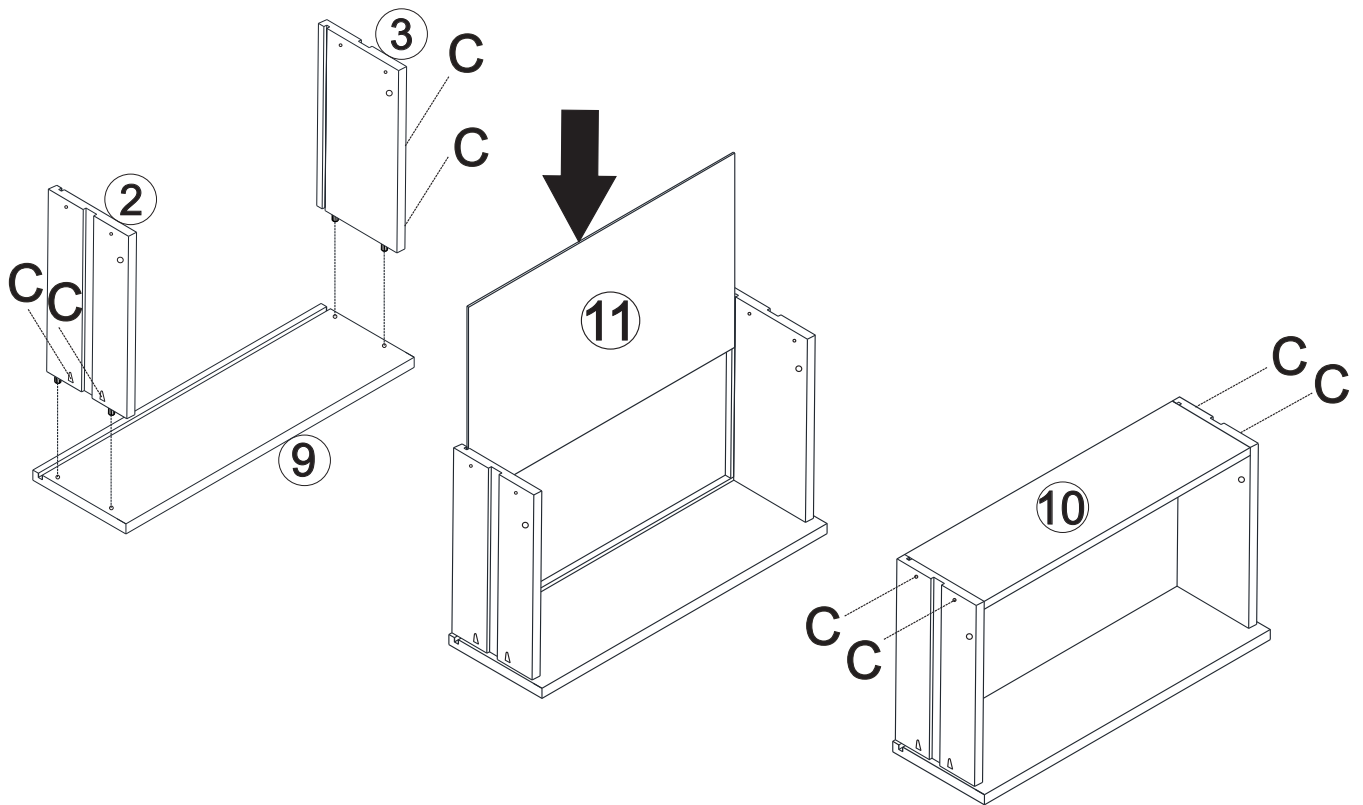
Step 7 Insert screw B (x4) into parts (5).



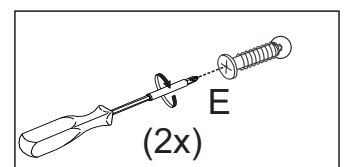
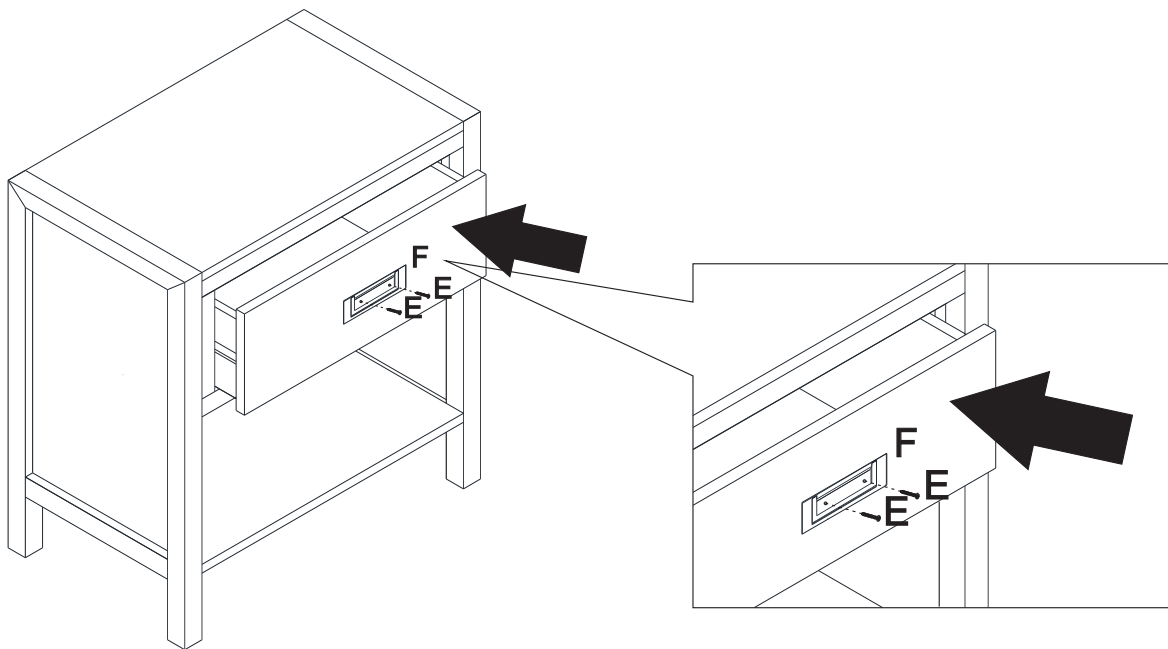
Step 8 Insert Nail H (x18) into parts (12),(13).



Step 9 Insert screw C (x8) into parts (2),(3),(9),(10),(11).



Step 10 Use screw E (x2) to attach Puller F (x1) to the drawers.



Final Assembly