

Description, Specifications and Standard Equipment

Description

The RIDGID® 975 Combo Roll Groover forms rolled grooves in steel, aluminum and PVC pipe and will groove 1 1/4" to 6" diameter pipe, schedule 10 and schedule 40. It is also designed to groove 1 1/4" to 6" schedule 10 and 1 1/4" to 2" schedule 40 stainless steel pipe. It can also be adapted for 2" - 8" Type K, L, M and DWV copper tube with a roll set change. The grooves are formed by mechanically advancing a grooving roll into the pipe which is supported by a drive roll. The only adjustment necessary is for the depth of the groove.

The unit is specifically designed to be used either in place or with the RIDGID Model 300 Power Drive (38 and 57 RPM Models). With the appropriate adapter (cat. #67662), the unit can work with the RIDGID Model 300 Compact Threading Machine. The 975 Combo Roll Groover includes a patented groove depth gauge to aid in groove set up and patented features to improve tracking during use.

The 975 Combo Roll Groover is a portable unit intended for occasional use on the job site and should not be used for high volume work or for production work in a pipe fabrication shop.

NOTICE When properly used, the Model 975 Combo Roll Groover makes grooves 2" - 6" that are dimensionally within the specifications of AWWA C606-06. Selection of appropriate materials and joining methods is the responsibility of the system designer and/or installer. Before any installation is attempted, careful evaluation of the specific service environment, including chemical environment and service temperature, should be completed.

Specifications

Capacity 1 1/4" – 6" Schedule 10 and Schedule 40 Steel Pipe
 With Roll Change: 2" - 8" Copper Tube, Type K, L, M & DWV

(See Table II for Wall Thickness)

Groove Diameter Adjustment Adjusting Screw And Groove Depth Gauge

Actuation Feed Screw with 1/2" Ratchet Wrench

Power Drive Mounting ... RIDGID 300 Power Drive (38 and 57 RPM Model Only)
 RIDGID 300 Compact Threading Machine (with adapter)

Weight.....27.6 lbs.

The 975 Combo Roll Groover is protected under U.S. and International patents, including patents 6,272,895 and 6,591,652.

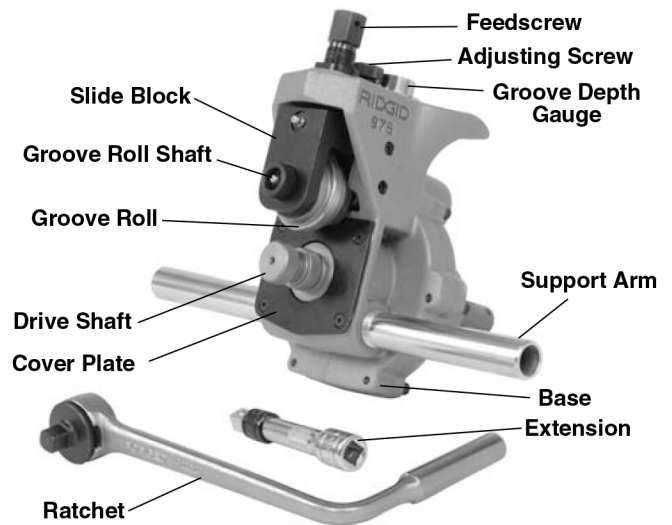


Figure 1 – 975 Combo Roll Groover

Standard Equipment

1 1/4" – 6" Schedule 10 & 40 Groove and Drive Rolls
 Ratchet Wrench (1/2" Drive) with Button Release
 Locking Extension Drive
 Support Arms
 Integral Index Depth Gauge