



Item # 1002 691 866
1002 691 867
Model # FCS70357BHSST-1

USE AND CARE GUIDE

STATESVILLE 3-PIECE HIGH BISTRO SET WITH LARGER TABLE



Questions, problems, missing parts? Before returning to the store,
call Hampton Bay Customer Service.
8 a.m. - 7 p.m., EST, Monday - Friday, 9 a.m. - 6 p.m., EST, Saturday

1-855-HD-HAMPTON

HAMPTONBAY.COM

THANK YOU

We appreciate the trust and confidence you have placed in Hampton Bay through the purchase of this bistro set. We strive to continually create quality products designed to enhance your home. Visit us online to see our full line of products available for your home improvement needs. Thank you for choosing Hampton Bay!

Table of Contents

Table of Contents	2	Pre-Assembly	3
Safety Information	2	Planning Assembly	3
Product Caution	2	Hardware Included	3
Safety Warnings	2	Chair Package Contents	4
Warranty	2	Table Package Contents	5
What is Covered	2	Chair Assembly	6
What is Not Covered	2	Table Assembly	11
		Care and Cleaning	13

Safety Information

PRODUCT CAUTION

This set was made for the explicit purpose of providing outdoor functions and is not to be used as a toy. This product is intended for normal outdoor use; however, the manufacturer recommends storing and / or covering this set when any formidable / severe weather is approaching. Do not locate this product near open flames. Do not use this product as a support. Do not shake, lean or climb on the product. Children under the age of 10, near the product, should be supervised by a competent adult at all times. This product is NOT intended for commercial use and will void the warranty.

SAFETY WARNINGS



WARNING: Weight limit for the chairs is 250 lbs (113.39 kg) for each seat.



CAUTION: When not in use, secure the product in a cool and covered location.



WARNING: This bistro set is heavy, and may require two adults for safe assembly.



WARNING: Do not place heavy objects on the chair.



WARNING: Do not place heavy objects on the table top.

Warranty

2 YEAR FRAME AND 2 YEAR FABRIC LIMITED WARRANTY

WHAT IS COVERED

We warrant the frames to be free of manufacturing defects to the original purchaser for two years, and a two year limited warranty for the fabric.

WHAT IS NOT COVERED

It remains the customer's responsibility for freight and packaging charges to and from our service center. This warranty does not cover commercial use, hardware, acts of nature, fire, freezing and abusive use. In addition, purchased parts are not covered under this warranty. We reserve the right to make substitutions with similar merchandise, if the model in question is no longer in production.

Contact the Customer Service Team at 1-855-HD-HAMPTON or visit www.HamptonBay.com.

Pre-Assembly

PLANNING ASSEMBLY

Read all instructions before assembly.

To avoid damaging this product, assemble it on a soft, non-abrasive surface such as carpet or cardboard.

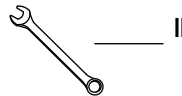
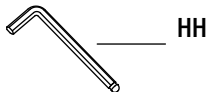
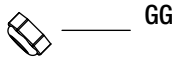
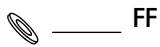
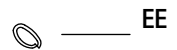
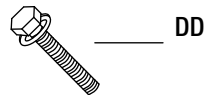
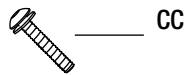
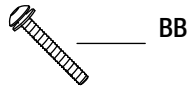
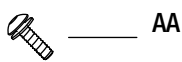


NOTE: More than one person may be required to assemble this product.

HARDWARE INCLUDED



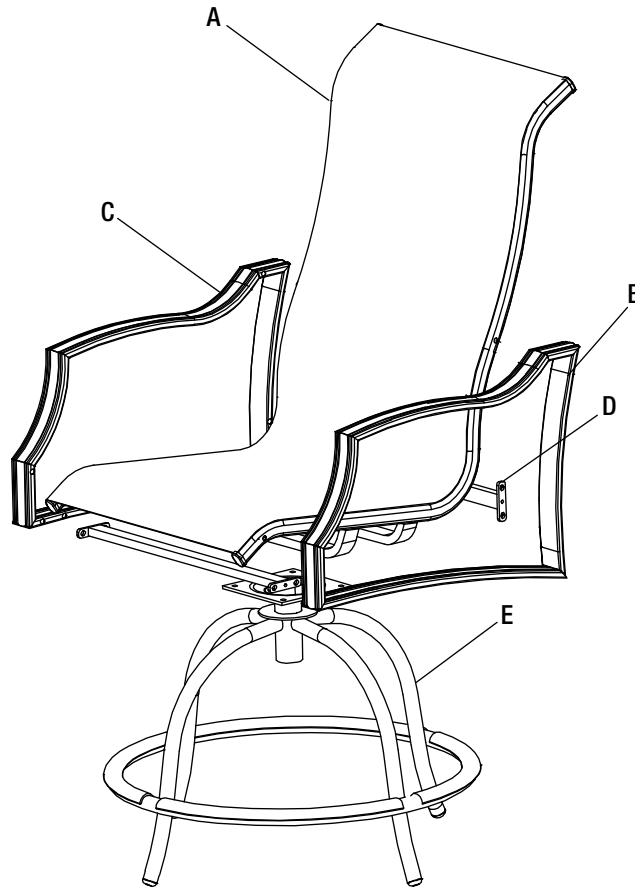
NOTE: Hardware not shown to actual size.



Part	Description	Quantity
AA	M6x15 combination bolt	24+2
BB	M6x30 combination bolt	8+1
CC	M6x25 combination bolt	16+1
DD	M8x35 combination bolt	8+1
EE	M8 spring washer	8+1
FF	M8 washer	8+1
GG	M8 nut	8+1
HH	Hex wrench	2
II	Wrench	2

Pre-Assembly (continued)

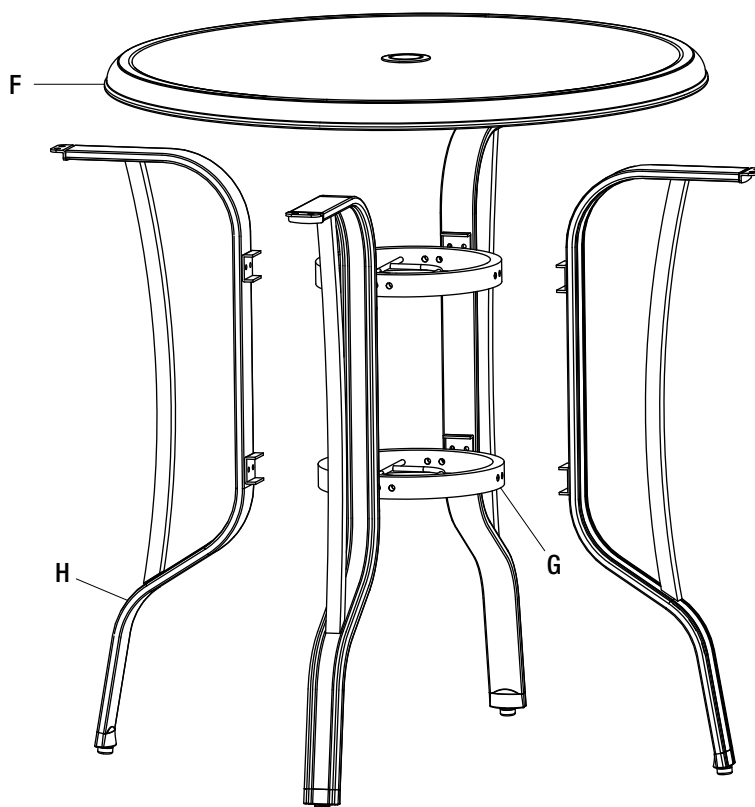
CHAIR PACKAGE CONTENTS



Part	Description	Quantity
A	Chair bucket	2
B	Left arm	2
C	Right arm	2
D	Connect bar	4
E	Chair base	2

Pre-Assembly (continued)

TABLE PACKAGE CONTENTS



Part	Description	Quantity
F	Table top	1
G	Leg connector	2
H	Table leg	4

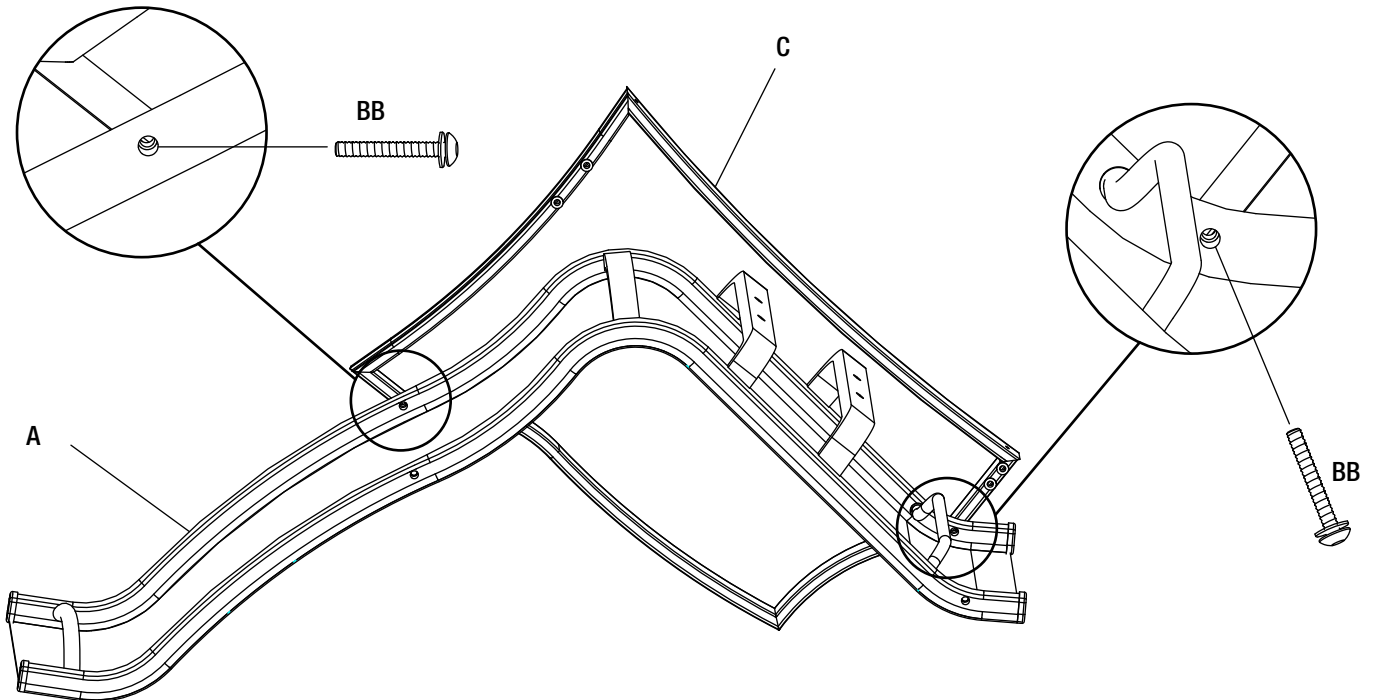
Chair Assembly

1 CONNECTING THE RIGHT ARM TO THE CHAIR BUCKET

- Place the chair bucket (A) upside down on a soft surface.
- Attach the right arm (C) to the chair bucket (A) using M6x30 combination bolts (BB).



NOTE: Loosely tighten all bolts using the hex wrench (HH).



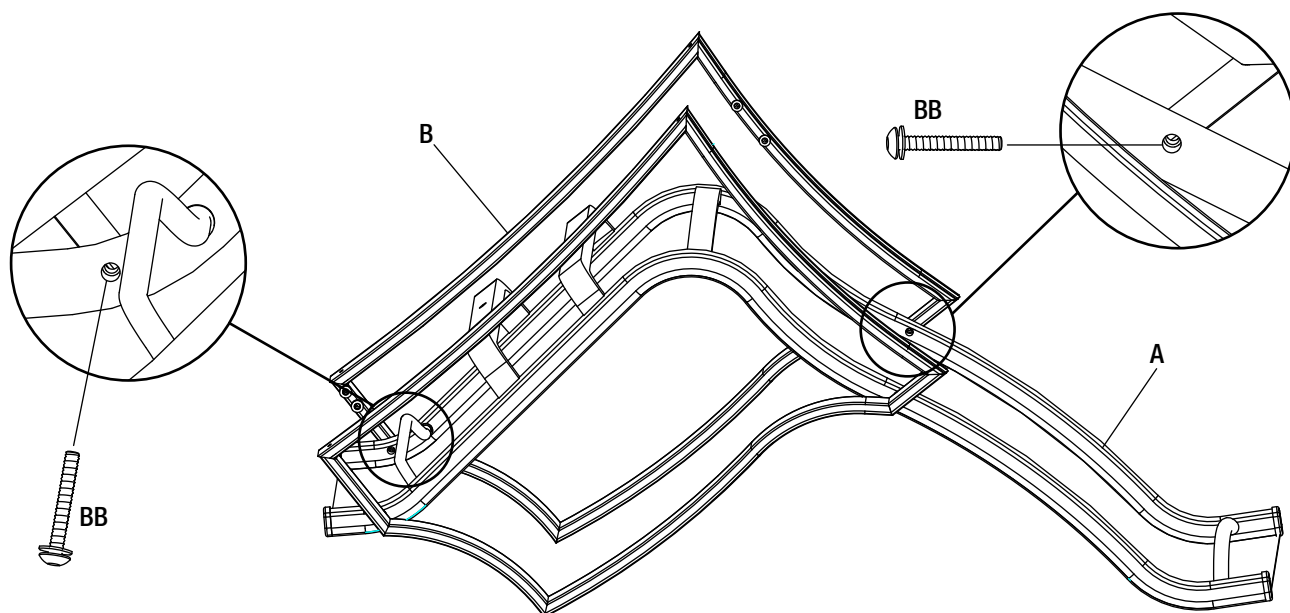
Chair Assembly (continued)

2 CONNECTING THE LEFT ARM TO THE CHAIR BUCKET

- Attach the left arm (B) to the chair bucket (A) using M6X30 combination bolts (BB).



NOTE: Loosely tighten all bolts using the hex wrench (HH).



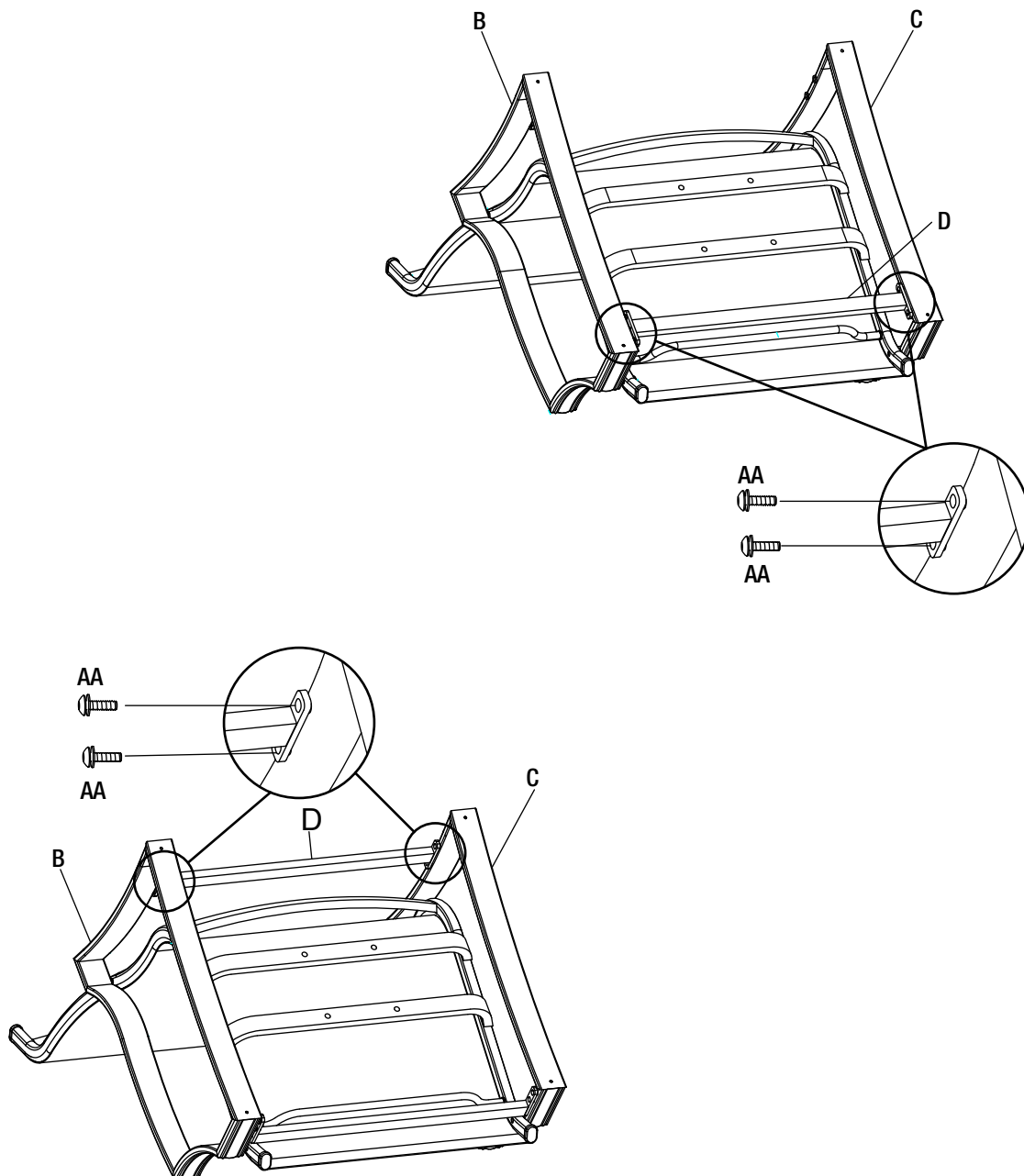
Chair Assembly (continued)

3 CONNECTING THE CONNECT BARS TO THE CHAIR ARMS

- Attach the connect bars (D) to the left arm (B) and the right arm (C) using M6X15 combination bolts (AA).



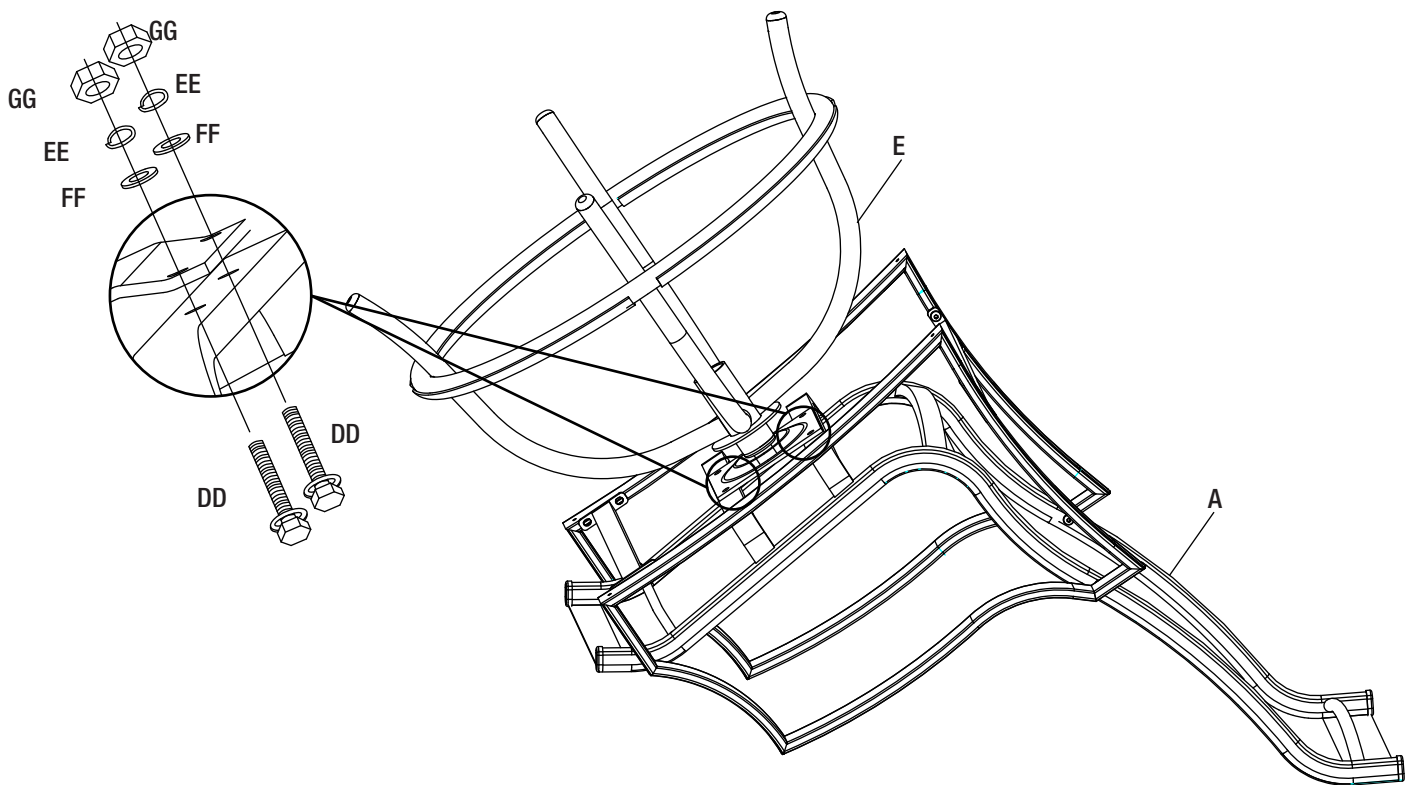
NOTE: Loosely tighten all bolts using the hex wrench (HH).



Chair Assembly (continued)

4 CONNECTING THE CHAIR BASE TO THE CHAIR BUCKET

- Attach the chair base (E) to the chair bucket (A) by inserting M8x35 combination bolts (DD), through the chair bucket (A), the chair base (E), M8 washers (FF), M8 spring washers (EE) into M8 nuts (GG).
- Once all of the bolts are in place, fully tighten the bolts.



Chair Assembly (continued)

5 CHECKING THE CHAIR

- Ensure all connections are secure before use.

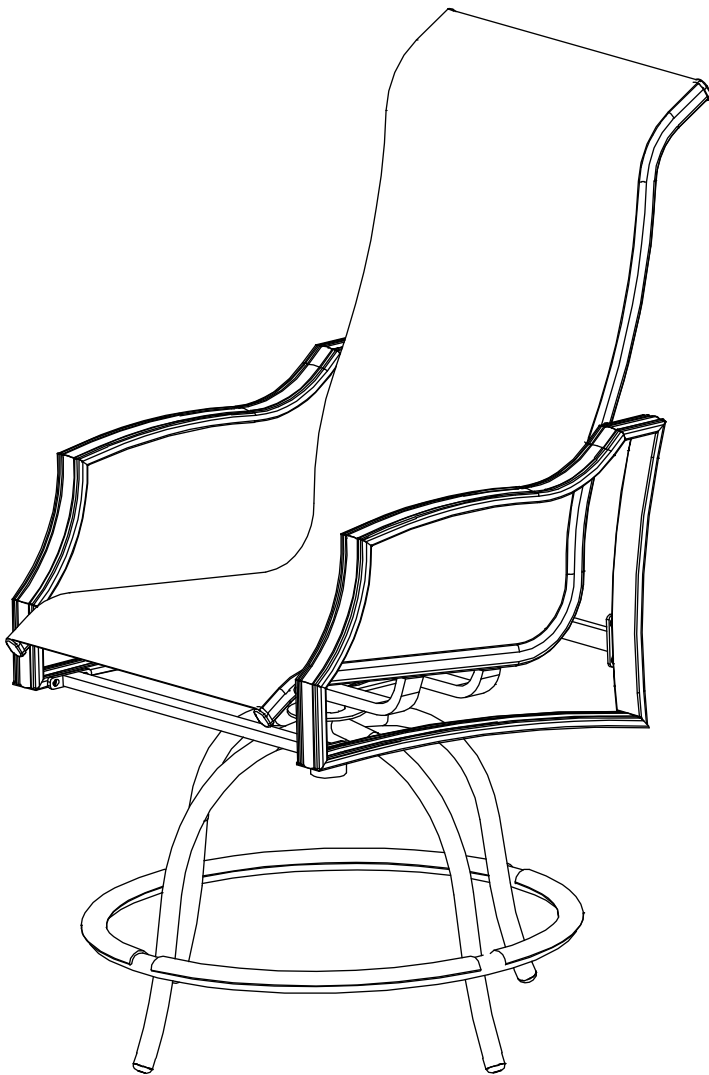


Table Assembly

1 ATTACHING THE TABLE LEGS TO THE TABLE TOP

- Place the table top (F) upside down on a soft surface.
- Attach the table legs (H) to the table top (F) using M6X15 combination bolts (AA).



NOTE: Loosely tighten all bolts using the hex wrench (HH).

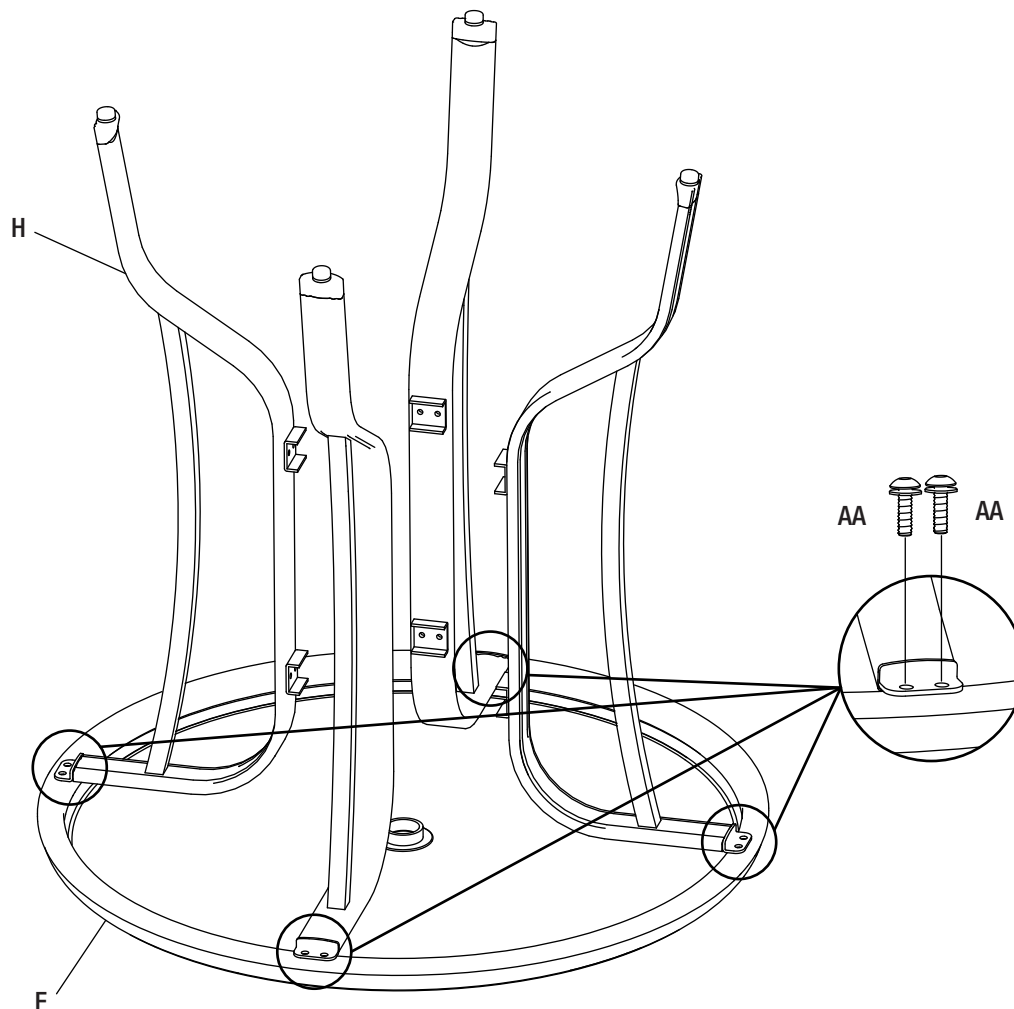


Table Assembly (continued)

2 ATTACHING THE LEG CONNECTORS TO THE TABLE LEGS

- Attach the leg connectors (G) to the table legs (H) using M6x25 combination bolts (CC).
- Once all of the bolts are in place, fully tighten all the bolts.

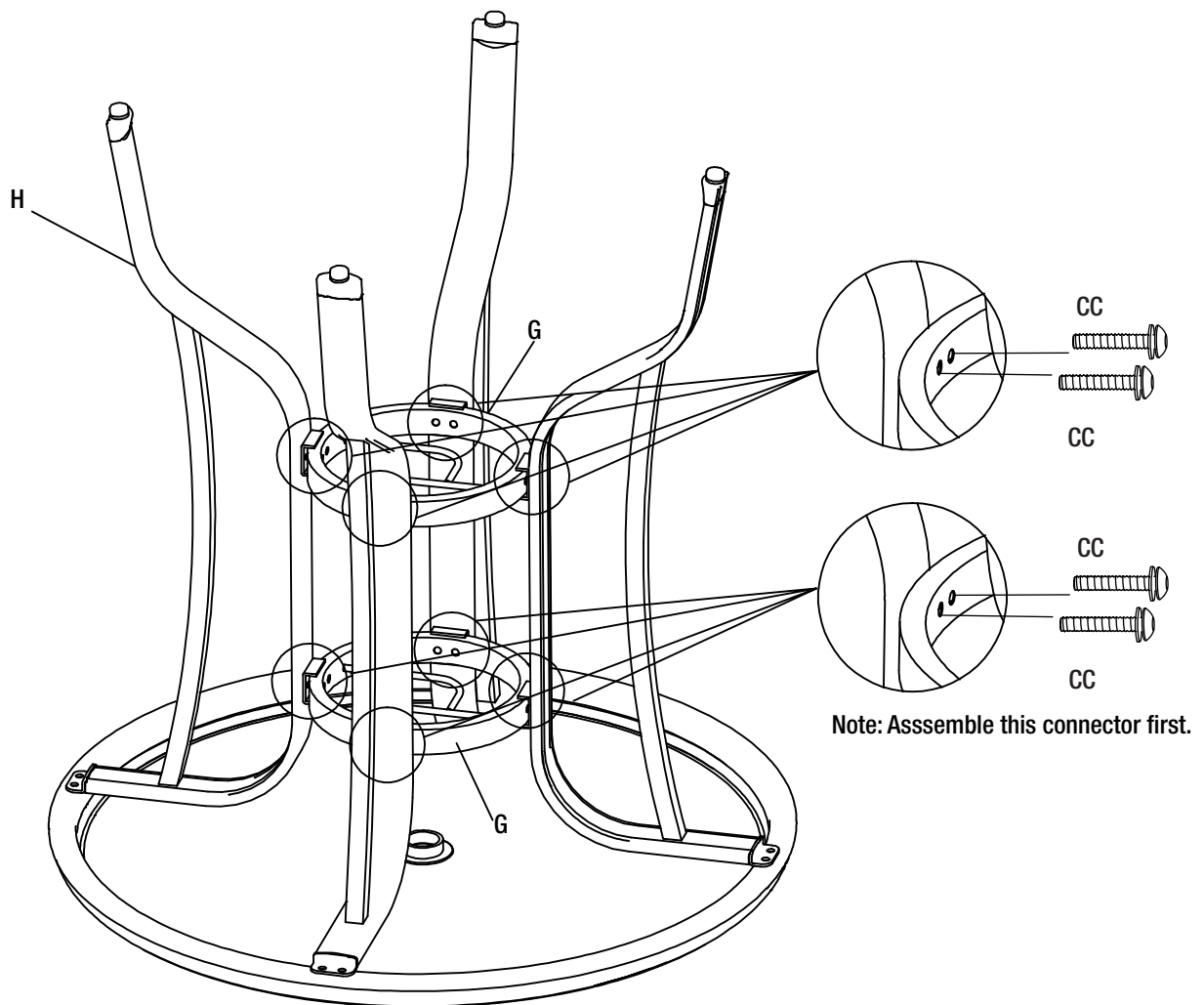
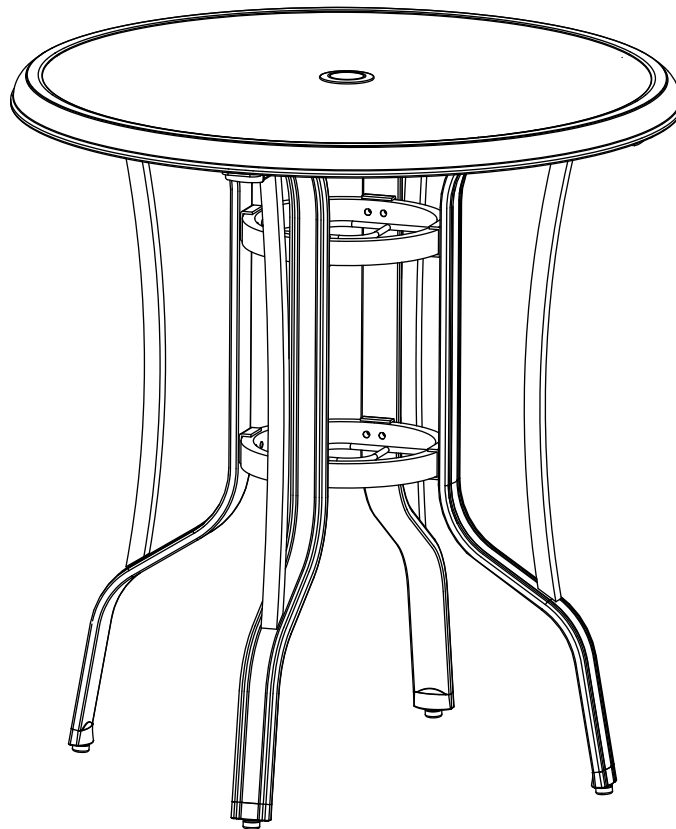


Table Assembly (continued)

3 CHECKING THE TABLE

- Turn the table right side up.
- Ensure all connections are secure before use.



Care and Cleaning

- For best results, clean the frame and fabric with a damp cloth and dry thoroughly. This will help prevent mildew by removing dirt particles that may accumulate.
- Do not clean with abrasive materials, bleach, or solvents.
- Store the set in a dry, sheltered place when not in use.
- Keep the set away from fire, extreme heat, freezing conditions, and inclement weather such as rain, hail, sleet, snow, or wind.



Questions, problems, missing parts? Before returning to the store,
call Hampton Bay Customer Service.
8 a.m. - 7 p.m., EST, Monday - Friday, 9 a.m. - 6 p.m., EST, Saturday

1-855-HD-HAMPTON

HAMPTONBAY.COM

Retain this manual for future use.