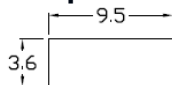


Top View

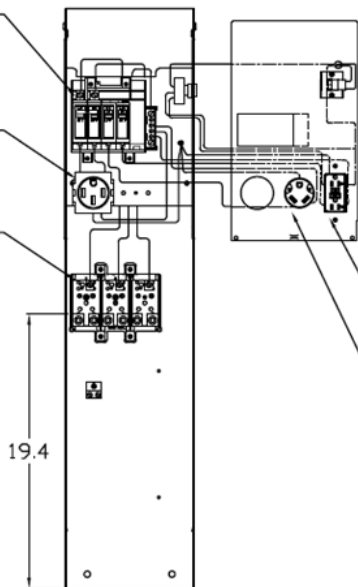


Front View Interior

100AMP. 5 CIRCUIT LOAD CENTER
 50AMP. BREAKER 2-POLE
 30AMP. BREAKER 1-POLE
 20AMP. BREAKER 1-POLE

14-50R
 50AMP.
 RECEPTACLE

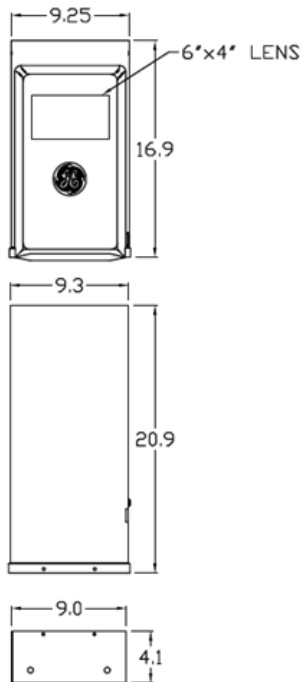
LOOP FEED LUG TERMINAL BAR



19.4

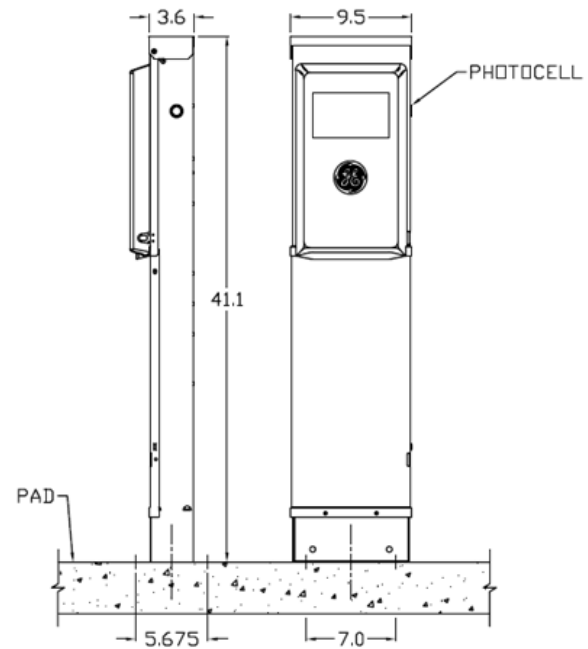
5-20R2GFI
 20AMP.
 GFI DUPLEX
 BR32U
 30AMP.
 RECEPTACLE

External View Covers

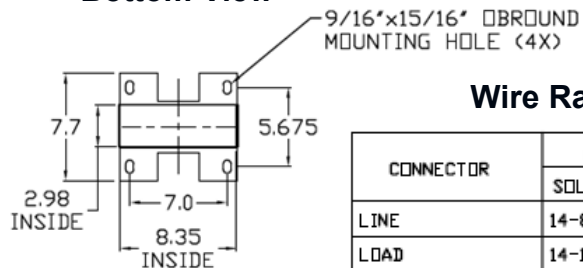


Right Side View

Front Exterior View



Bottom View



Wire Range Size

CONNECTOR	COPPER		ALUMINUM	
	SOLID	STRAND	SOLID	STRAND
LINE	14-8	14-1/0	12-8	12-1/0
LOAD	14-10	14-10	---	---
NEUTRAL	14-4	14-4	14-4	14-4
POST LINE CONNECTORS SUITABLE FOR LOOP FEED	#6-350 KCMIL		#6-350 KCMIL	
EQUIP. GRND. POST	14-2/0	14-2/0	14-2/0	14-2/0

NOTES: PAD MOUNTED POST



imagination at work

GE RV EQUIP-100A-MLO-UNMETERED-50A,30A&20A RECEPT
 PAD MOUNTED POST - SINGLE SIDED - LIGHTED - G90 - N3R

CAT NO	DWG DATE	REV #
GE1LU532PSL	05/13/2016	01