

# JVX5365SJ

*GE Appliances 36" ENERGY STAR Certified Under The Cabinet Hood*

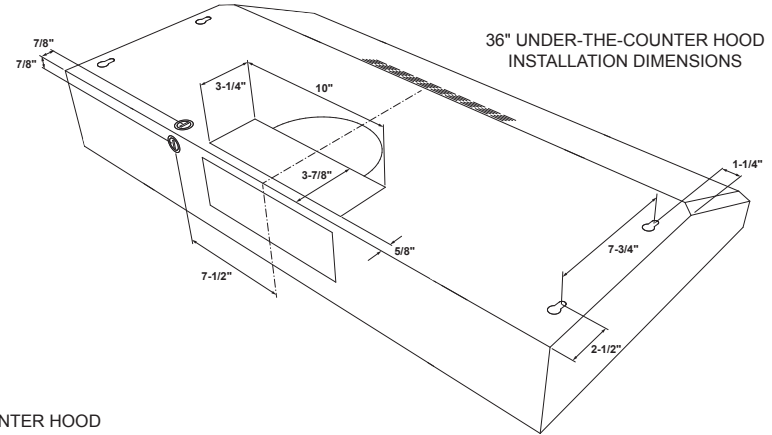
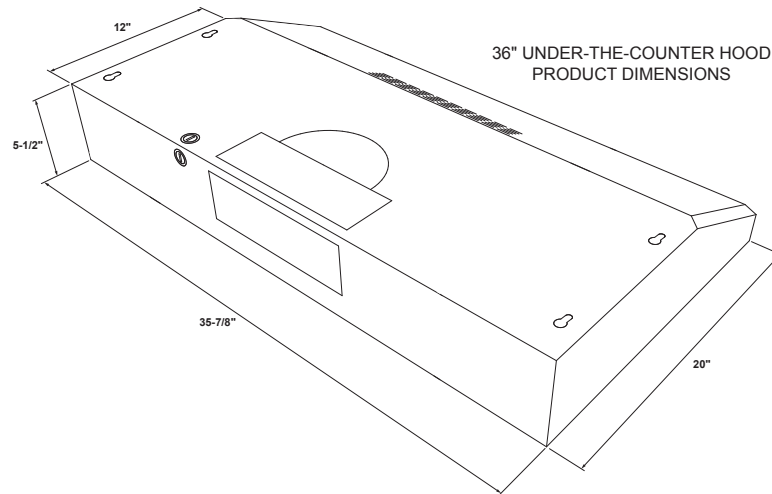
## DIMENSIONS AND INSTALLATION INFORMATION (IN INCHES)

WB02X11537 replacement grease filter and WB02X11000 replacement charcoal filter are available for additional cost. Call toll-free 800.626.2000.

**JXHC1 Cord Kit:** Allows a receptacle in the cabinet over the range to accommodate either an over-the-range microwave oven or a standard hood.

**Installation Information:** Before installing, consult installation instructions, packed with product, for current dimensional data.

AMP RATING	
120V	2.5



Exhaust outlet connects to 3-1/4" x 10" rectangular duct. Vent top or rear. Includes rectangular damper.



For answers to your Monogram, GE Café™ Series, GE Profile™ Series or GE Appliances product questions, visit our website at [geappliances.com](http://geappliances.com) or call GE Answer Center® Service, 800.626.2000.



# JVX5365SJ

*GE Appliances 36" ENERGY STAR Certified Under The Cabinet Hood*

## FEATURES AND BENEFITS

Easy installation – 10 minutes or less by one person

Two-speed, 240-CFM venting system – Removes smoke, grease, odors and moisture

Front controls – Enjoy easy access and a subtle appearance

Dual LED lighting with nightlight – Choose bright light while cooking or low light at night

Convertible venting options – Select recirculating or external venting

Vertical and rear exhaust – Exhausts from the top or rear of the hood

Appearance (Fully enclosed bottom) – Enjoy a sleek appearance from every angle

Dishwasher safe filter – Filters grease and is dishwasher-safe

Model JVX5365SJSS – Stainless steel



<b>CFM/SONES RATINGS</b>	
Exhaust High Speed (HS)	240/5.5
Exhaust Working Speed (WS)	120/1.2

\*Not ENERGY STAR Certified if hood is installed in a non-vented configuration.

