

INSTRUCTION FOR  
CEILING FAN INSTALLATION

# Ceiling Fan Use Guide



*Enjoy the natural wind*

Please keep this manual.

Be sure to read the instructions before installation and use of the appliance.

## **Important Safety Instructions**

**WARNING:** To avoid fire, shock and serious personal injury, follow these instructions.

1. Read your owner's manual and safety information before installing your new fan. Review the accompanying assembly diagrams.
2. Before servicing or cleaning unit, switch power off at service panel and lock service panel disconnecting means to prevent power from being switched on accidentally. When the service disconnecting means cannot be locked, securely fasten a warning device, such as a tag, to the service panel.
3. Be careful of the fan and blades when cleaning, painting, or working near the fan. Always turn off the power to the ceiling fan before servicing.
4. Do not insert anything into the fan blades while the fan is operating.
5. The appliance is not intended for use by young children or infirm persons without supervision. Young children should be supervised to ensure that they do not play with the appliance.

## **Additional Safety Instructions**

1. To avoid possible shock, be sure electricity is turned off at the fuse box before wiring, and do not operate fan without blades.
2. The ceiling fan must be grounded as a precaution against possible electrical shock. Electrical installation should be made or approved by a licensed electrician.
3. The fan base must be securely mounted and capable of reliably supporting at least 50 lbs (fan and accessories not to exceed 99.12 lbs or 45 kgs). Consult a qualified electrician if in doubt.
4. The fan must be mounted with the fan blades at least 10 feet from the floor to prevent accidental contact with the ceiling fan.
5. Follow the recommended instructions for the proper method of wiring your ceiling fan. If you do not have adequate electrical knowledge or experience, have your fan installed by licensed electrician.
6. This fan is to be used in indoor dry or damp location only.

**WARNING:** This product is designed to use only those parts supplied with this product and/or accessories designated specifically for use with this product. Using parts and/or accessories not designated for use with this product could result in personal injury or property damage.

**WARNING:** To reduce the risk of personal injury, do not bend the blade bracket (flange or blade holder) when installing the brackets, balancing the blades, or cleaning the fan. Do not insert foreign objects in between rotating fan blades.

**ONE YEAR WARRANTY**

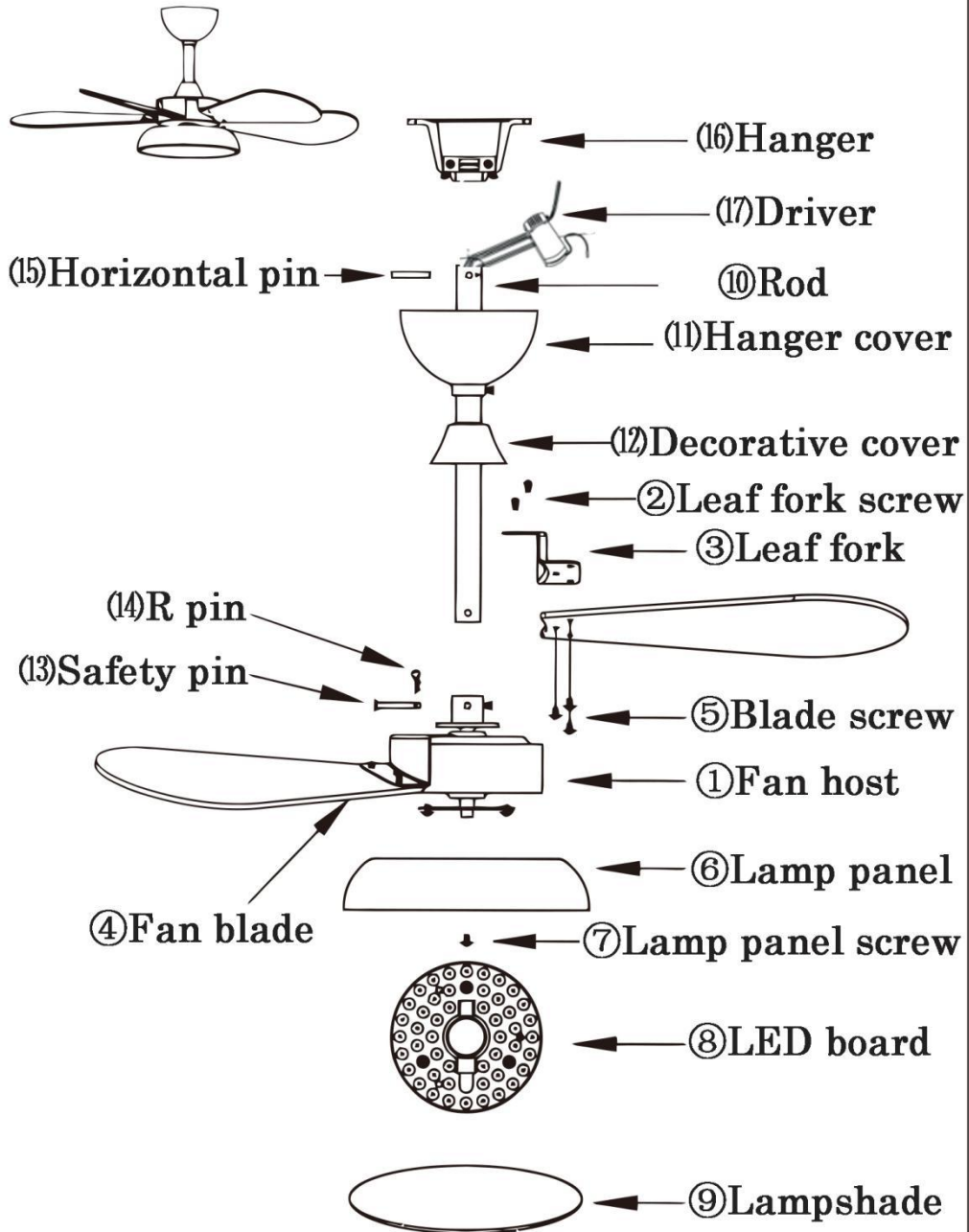
If the fan motor or any other part fails at any time within one year of the original purchase, due to a defect in materials or workmanship, we will repair or replace, at our option, the defective part, free of charge.

Because of varying climate conditions, this warranty does not cover changes on the finish, including rusting, pitting, corroding, tarnishing or peeling. This includes coastal locations where salt air can cause corrosion.

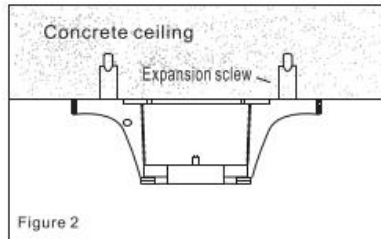
This warranty is void and does not apply to damage from improper installation, neglect, accident, misuse, exposure to extremes of heat or humidity, or as the result of any modification to the original product.

A certain amount of wobble is normal and should not be considered a problem or a defect. Contact the Customer Service Team.

# Installation Diagram

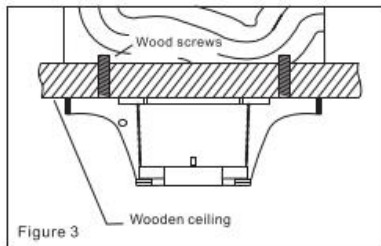


## Mounting Bracket Installation



⚠ NOTE: Do not install mounting bracket on the roof leaking and damp. the ceiling must be able to with stand the weight of 40 kgs or more.

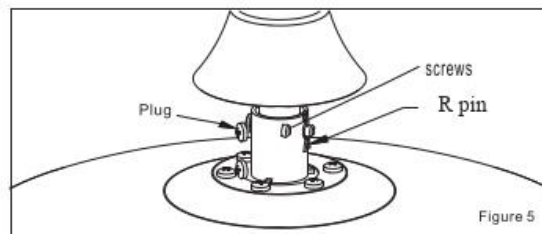
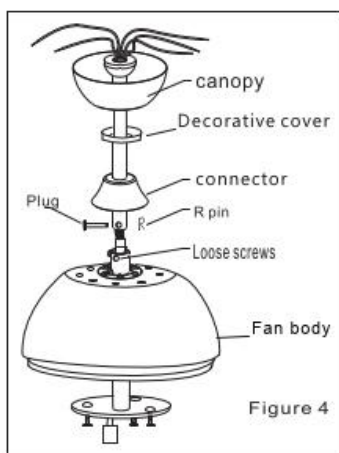
(1). Concrete ceiling: Drill two holes with an appropriate depth by a drilling bit with diameter 8MM, and insert 1 piece of expansion screw to each hole, then fix the mounting bracket into the expansion screws, and tighten it with the nuts of expansion screws. (Fig.2)



(2). Wooden ceiling: Fix the mounting bracket to the wooden ceiling by 4 pieces wooden screws. The thickness of wooden ceiling must be at least 7cm.(Fig.3)

## Downrod Installation

Loose the 2 screws of the fan body ,Get off the plug from the downrod by removing the R pin, let the downrod get through the canopy , decorative cover and connector. Let the fan body electrical wire through the downrod, then seat the downrod into the fan body and rotate the downrod until the holes on the downrod will match the holes of the fan body. Finally,get the plug through the holes and fix it by the R pin by another side then tighten the other two screws. (Fig.4/Fig.5)



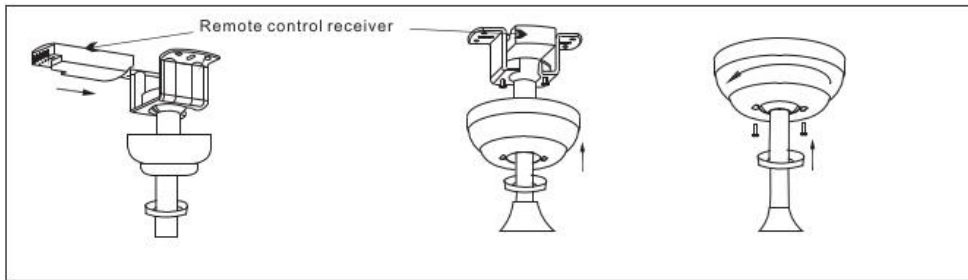
NOTE:

1.Be sure to tighten the two screws on the connector, and then set well of the cover.

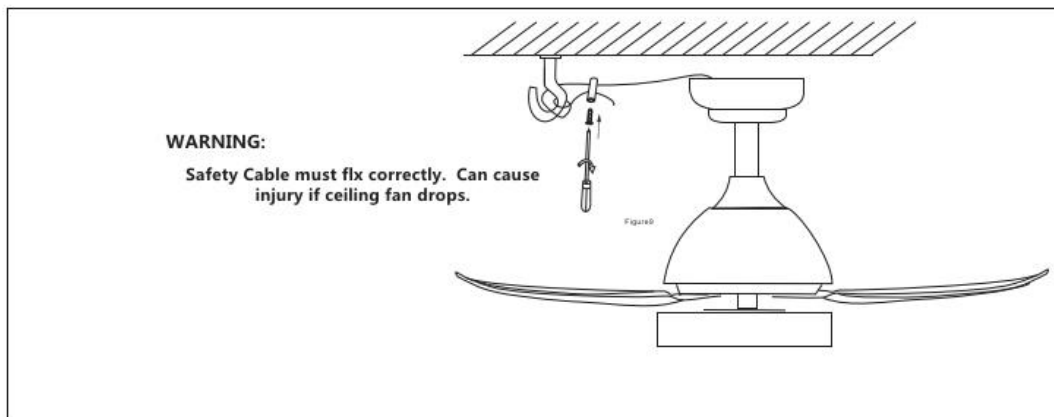
2.When installing the plug, do not damage the wires inside the pipe, otherwise there is a risk of electric leakage.



After wires connection, put the remote control receiver into the mounting bracket.  
Raise up the canopy to the ceiling for covering the mounting bracket( make sure the canopy will seat into the two screws on the mounting bracket), then rotate the canopy to ensure the screw heads are at the narrow end of the holes. Finally, tighten the two screws firmly.



Remove the Safety Cable Screw from the Screw Pack. Arrange and tie the Safety Cable



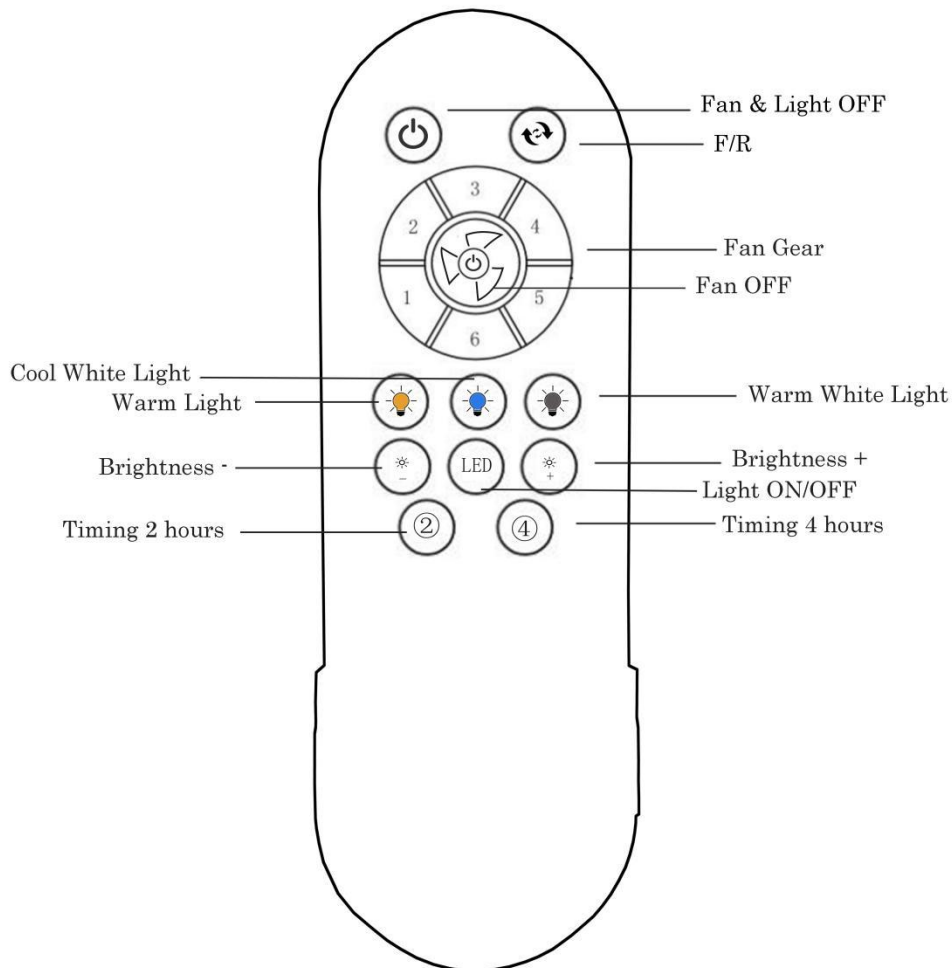
## How to Operate Your Ceiling Fan

1. Restore electrical power to the outlet box by turning the electricity on at the main fuse box.

**WARNING:** Check to see that all connections are tight, including ground, and that no bare wire is visible at the wire connectors, except for the ground wire. Do not operate fan until the blades are in place. Noise and fan damage could result.

**WARNING:** Do not operate this fan with a variable (Rheostat) wall controller or dimmer switch. Doing so could result in damage to the ceiling fan's remote control unit.

2. To make fan operational, install two 1.5V AAA battery (not included) in hand-held remote transmitter, with fan power off. (If not used for long periods of time, remove battery to prevent damage to transmitter). Store the remote away from excessive heat or humidity.
3. Remote Control Functions:

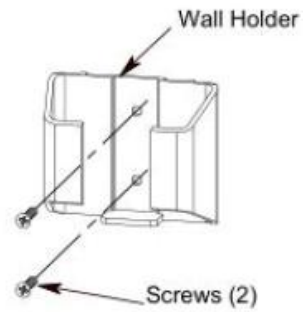


---

## How to Install Your Remote Control

Installing Wall Holder:

Attach wall holder using the two provided screws.



---

## Maintenance

1. Periodic cleaning of your new ceiling fan is the only maintenance that is needed. When cleaning, use only a soft brush or lint free cloth to avoid scratching the finish. Abrasive cleaning agents are not required and should be avoided to prevent damage to finish.

**CAUTION:** Do not use water when cleaning your ceiling fan. It could damage the motor or the finish and create the possibility of electrical shock.

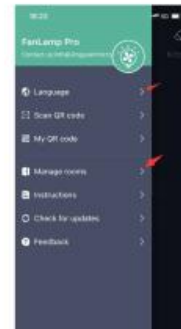


## How TO Use the Mobile APP



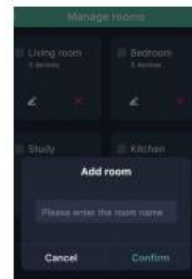
1. Scan the barcode and download the **FANLAMPPRO APP**.  
(Andriod could download from **GOOGLE PLAY STORE**)

2. Choose the Language and Manage room information.



3. Add a new fan.

4. Choose a name for a new fan and select the room where it is located.

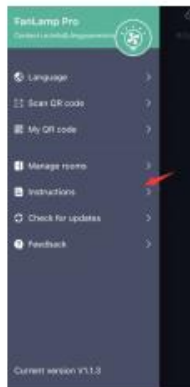


5. In case, it isn't located in one of the predetermined locations, select the Personalize option and add a new room.



8. Enter room and Click the Fan control interface.

7. Enter the main control interface, turn on the Bluetooth from smart phone, turn off the electric power supply, and then turn on the electric power supply again, the LED of the ceiling fan is bright and the Bluetooth of device is ready for connecting to smart phone. Finally, click the Pairing Button in APP within 5 seconds of power. If the pairing button is green, the ceiling fan has been connected with smart phone. APP can control the ceiling fan now.



6. Follow APP's instruction to operate the ceiling fan.  
NOTE: Only one device can be paired. Once a new device is paired, the previous device will no longer be.

## Troubleshooting

**Warning:** For your own safety turn off power at fuse box or circuit breaker before trouble shooting your fan.

TROUBLE	Probable Cause	Suggested Remedy
FAN WILL NOT START	<ol style="list-style-type: none"> <li>1.Fuse or circuit breaker blown.</li> <li>2.Loose power line connections to the fan, or loose switch wire connections in the switch housing.</li> <li>3.Reversing switch in neutral position.</li> <li>4. Dead battery in remote control.</li> </ol>	<ol style="list-style-type: none"> <li>1.Check main and branch circuit fuses or circuit breakers.</li> <li>2.Check line wire connections to fan and switch wire connections in the switch housings.</li> <li><b>CAUTION:</b> Make sure main power is turned off !</li> <li>3.Make sure reversing switch position is all the way to one side.</li> <li>4.Replace with new battery.</li> </ol>
FAN SOUNDS NOISY	<ol style="list-style-type: none"> <li>1.Loose screws in motor housing.</li> <li>2.Wire connectors inside housing rattling.</li> <li>3.Motor noise caused by solid state variable speed control.</li> </ol>	<ol style="list-style-type: none"> <li>1.Check to make sure all screws in motor housing are snug (do not overtighten).</li> <li>2. Check to make sure wire connectors in switch housing are not rattling against each other or against the interior wall of the switch housing.</li> <li><b>CAUTION:</b> Make sure main power is turned off !</li> <li>3.Some fan motors are sensitive to signals from solid-state variable speed controls. Solid-state controls are not recommended, choose an alternative control method.</li> </ol>
FAN WOBBLER EXCESSIVELY	<ol style="list-style-type: none"> <li>1.Setscrew in downrod support is loose.</li> <li>2.Setscrew in downrod/hanger ball assembly is loose.</li> <li>3.The groove hanger ball not lined up with the tab.</li> <li>4.Hanger bracket and/or ceiling outlet box is not securely fastened.</li> </ol>	<ol style="list-style-type: none"> <li>1.Tighten both setscrews securely in downrod support.</li> <li>2.Tighten the setscrew in the downrod/hanger ball assembly.</li> <li>3.Re-hanging the hanger ball secure the tab into the groove.</li> <li>4.Tighten the hanger bracket screws to the outlet box, and secure outlet box.</li> </ol>