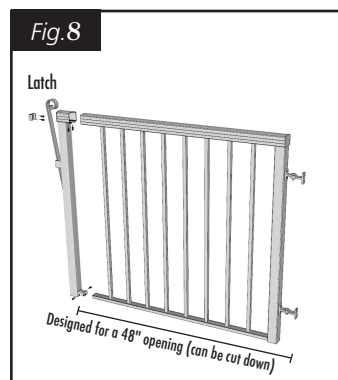


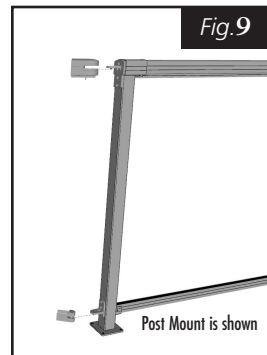
STEP 6

GATES

Cut down gate to meet the required width of your opening. Line up top of gate with top of deck railing and attach hinges using the long hex-head lag bolts in hardware kit. Attach latch using small TEK screws provided. (see Fig. 8)



UNIVERSAL ANGLE BRACKET (UAB)



Vista™ Universal Angle Bracket can be used on its own for a wall connection or be attached onto an end post. Due to different configuration options, it is especially important for UAB installation that the final glass sizes be taken after railing frame is installed. (see Fig. 9)

IMPORTANT

Before beginning your residential deck railing project, you will need to refer to the Vista™ residential deck railing design guide to choose appropriate post to deck fasteners for your specific application or consult with a professional engineer. The design guide can be found at www.vistarailings.com or toll free 1-800-667-8247.

TOOLS AND MATERIALS REQUIRED

Handsaw or 10" Mitre Saw with Thin (Kerf) Blade / Electric Drill / 1/8" and 3/16" Drill Bits and 3/8" Hex Head Driver / No. 2 Square Screwdriver Measuring Tape / Rubber Mallet (optional)

Toll Free 1.800.667.8247
www.vistarailings.com

Vista™ is a registered trademark of Vista Railing Systems Inc.
Revised November 19, 2018

Residential Deck Railing Assembly Instructions

vista
style &
simplicity

IMPORTANT: Before starting your residential Vista™ deck railing project, please ensure to check your local building codes and building permit requirements prior to installation. Building codes may vary. Always comply with all applicable building codes. Please check areas to be drilled are free from utilities, services and hazards.

NOTE: Affixing posts to decking surface is a critical part of ensuring the strength of your railings system. Please choose a fastener that meets or exceeds the minimum requirement outlined in the Vista™ residential deck railing design guide. If your deck is unique and is not listed in the guide, please consult a professional engineer for assistance.

Failure to follow these instructions could result in serious injury or death!

No member of Vista Railing Systems Inc., or the Dealer shall be liable for any loss or damage resulting from the improper installation or use of this product. If any member of Vista Railing Systems Inc., or the Dealer becomes liable for any loss or damage, the aggregate liability of Vista Railing Systems Inc. shall be limited to the retail purchase price of that product. For further information, please consult your authorized Vista™ Dealer.

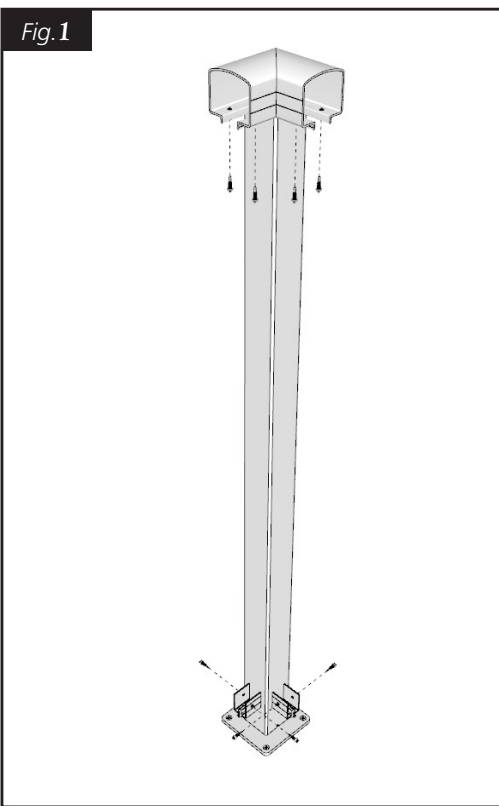
STEP 1 GETTING STARTED

Locate posts as required with the bottom plate 1/2" from the edge of the deck (a greater distance from edge may be required on some decks so that post anchoring screws can attach to solid wood under deck surface). Refer to Vista™ residential deck railing design guide for minimum requirements of post fasteners.

For post spacing and further information, please consult your authorized Vista™ Dealer or refer to the Vista™ residential deck railing design guide at www.vistarailings.com.

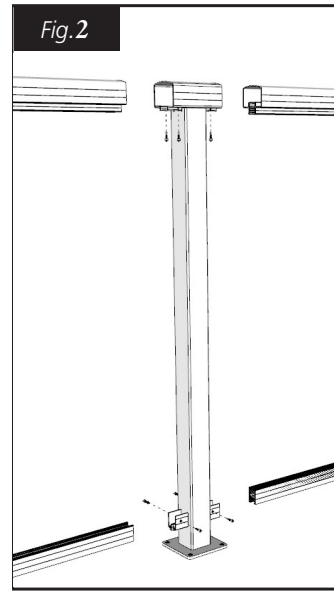
Consult your authorized Vista™ dealers for layout and design information to meet standard Building Code criteria.

Site specific engineering documentation not provided.



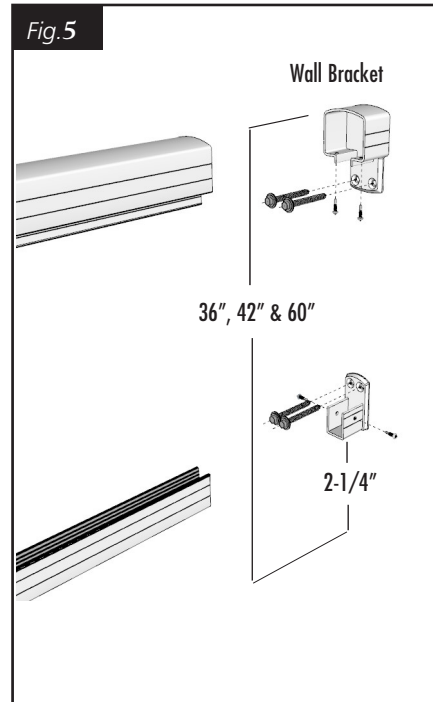
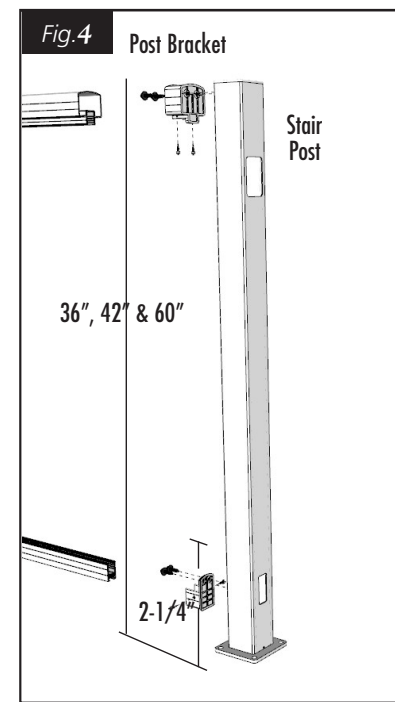
STEP 2 POSTS

Install posts at this time with only 1 fastener that meets or exceeds minimum requirements outlined in the Vista™ residential deck railing design guide (see Fig. 1, 2, and 3). This will allow enough movement in the post for installation of top rail later. (see Step 3) (NOTE: Deck fasteners are not included)



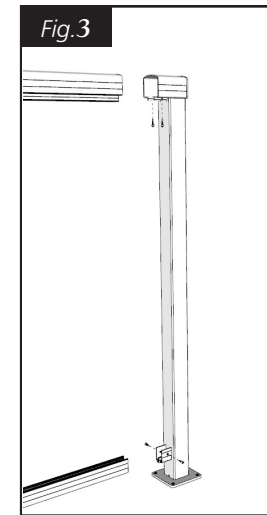
STEP 3 BRACKET ATTACHMENT

Install wall or post brackets as required. (See Fig. 4 and Fig. 5)



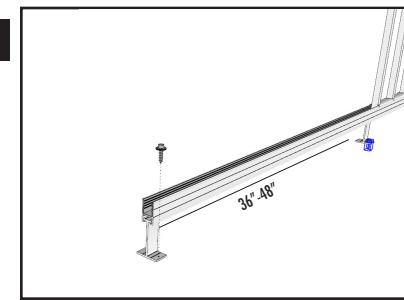
PLEASE NOTE: Height varies depending on height of railing system that is purchased.

STEP 4 TOP RAIL ASSEMBLY



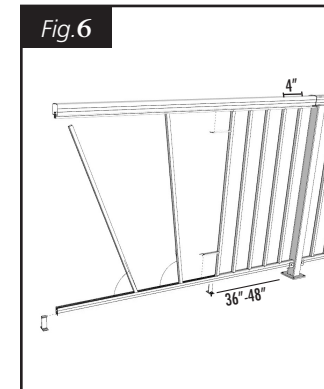
Measure distance between posts, deduct 1/2" and cut top rail section.
NOTE: Top and bottom rail with picket gasket can be cut at same time. We recommend drilling a 3/16" hole every 2 - 3 feet in bottom rail to allow water drainage. Install top rail securing one end only using #10 x 3/4" TEK screws provided with post. Check to ensure posts are perpendicular to deck surface, and install remainder of post to deck fasteners.
 Refer to step 2 for appropriate method to attach posts and note about fasteners. (use exterior silicone "non-corrosive" caulking in screw holes for waterproofing). Secure other end of top rail. Insert support legs in bottom rail. Install bottom rail with legs in rough position. (see Fig. A)
Important: Secure both ends using two of the #10 x 3/4" TEK screws provided, one from each side. (see Fig. 2, 3 and 4)

STEP 4A BOTTOM RAIL ASSEMBLY



Space bottom rail legs evenly between posts and secure into the deck with included hex-head lag bolt. Repeat procedure every section approximately every 36" - 48". (see Fig. A)

STEP 5A PICKET ASSEMBLY

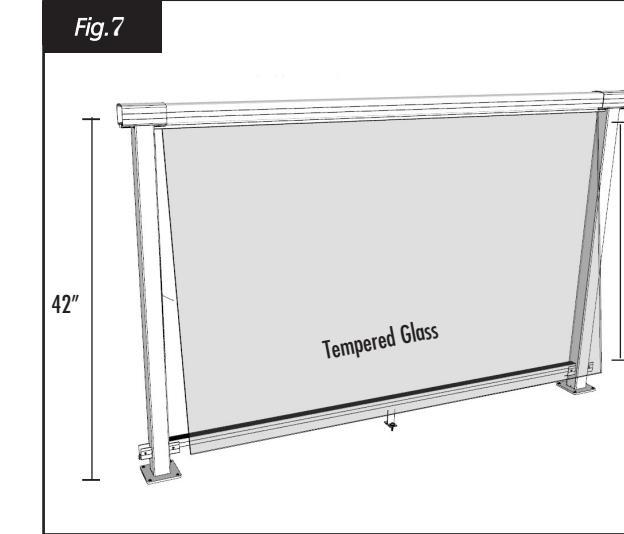


Starting at one end of a section, snap spacer over openings in top and bottom rails (use rubber mallet if necessary). Install picket as per Fig. 6 and repeat procedure until last 4 pickets are left. Install remaining pickets as a group (without spacers in between). Spread out and snap in remaining spacers.

NOTE: The last spacer will likely have to be cut to size. Picket Spacing should not exceed 4".

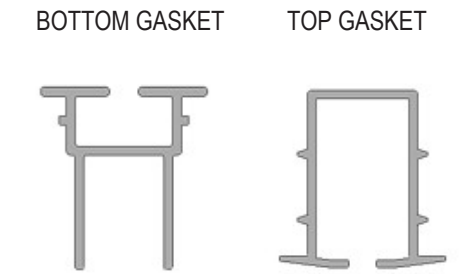
- 36" rail is available in regular picket, wide picket and glass
 - 42" rail is available in regular picket, wide picket and glass

STEP 5B GLASS ASSEMBLY

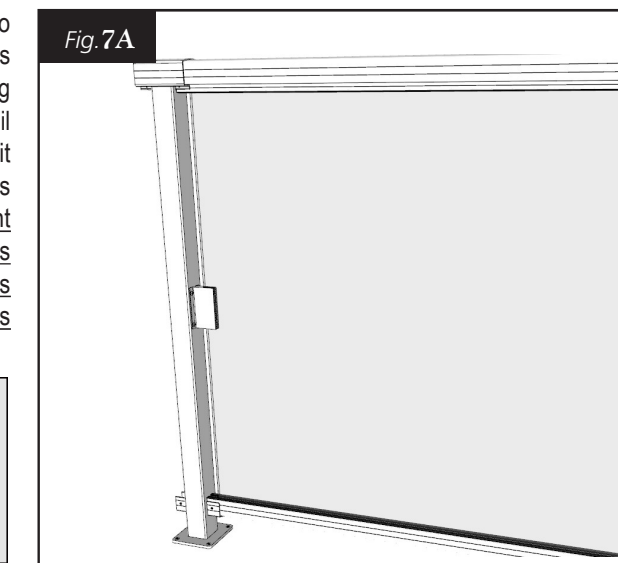
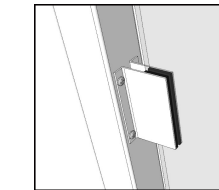


NOTE: Glass height sizing vs rail height 36" = 30" glass; 42" = 36" glass; 60" = 54" glass

Replace pre-installed picket gasket with glass gasket in both top and bottom rails. Replace gasket before putting screws in bottom rail.



When placing the glass panels into position, first place top edge of glass into the top rail gasket, then swing bottom edge of glass into bottom rail gasket and slide down firmly until it rests on the bottom of the glass gasket. (see Fig. 7) Due to different configuration options, it is recommended that the final glass sizes be taken after railing frame is installed.



Vista™ Glass Railing - 36" and 42" high railing

NOTE: Recommended width of glass panel sizes should be approximately 2" less than the distance between the posts for ease of installation. Glass thickness must be minimum 1/4" (6mm) and tempered as per local building code.

Vista™ Windwall

NOTE: 1" spacing on glass is recommended on the 60" Windwall system. In areas routinely exposed to wind gusts in excess of 60 mph, it may be necessary to consult a local design professional to determine whether this product is suitable for your application. It is required that the glass be supported mid span with a glass center support. For additional design information, and the use of glass center supports on your Vista™ Windwall project please consult your authorized Vista™ Dealer. (see Fig. 7A)