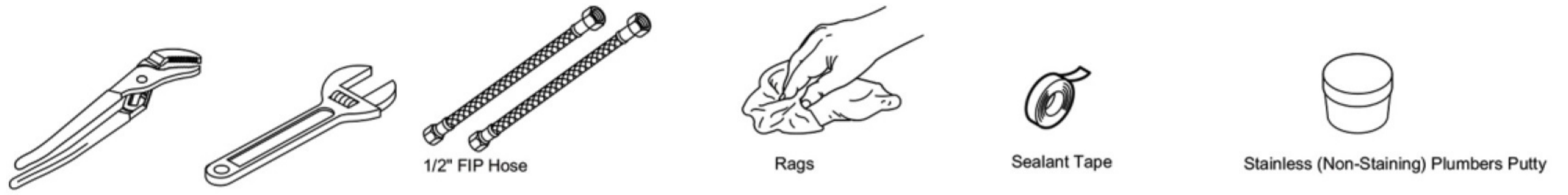


PHIESTINA Installation Guide

Tools you will need



Note: Style may vary by model

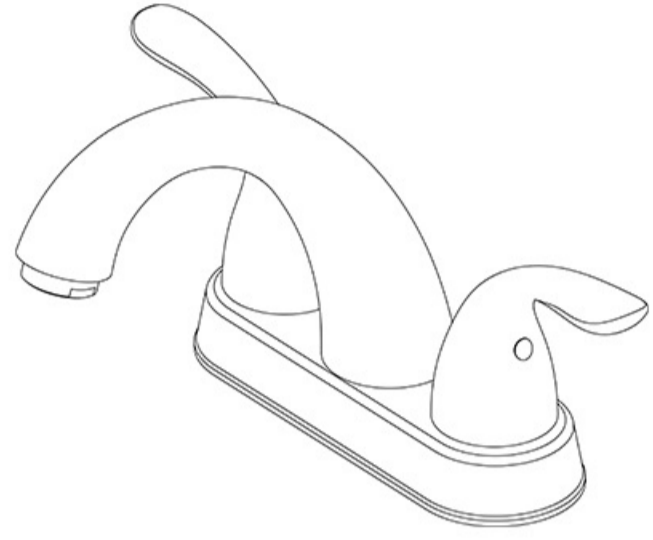
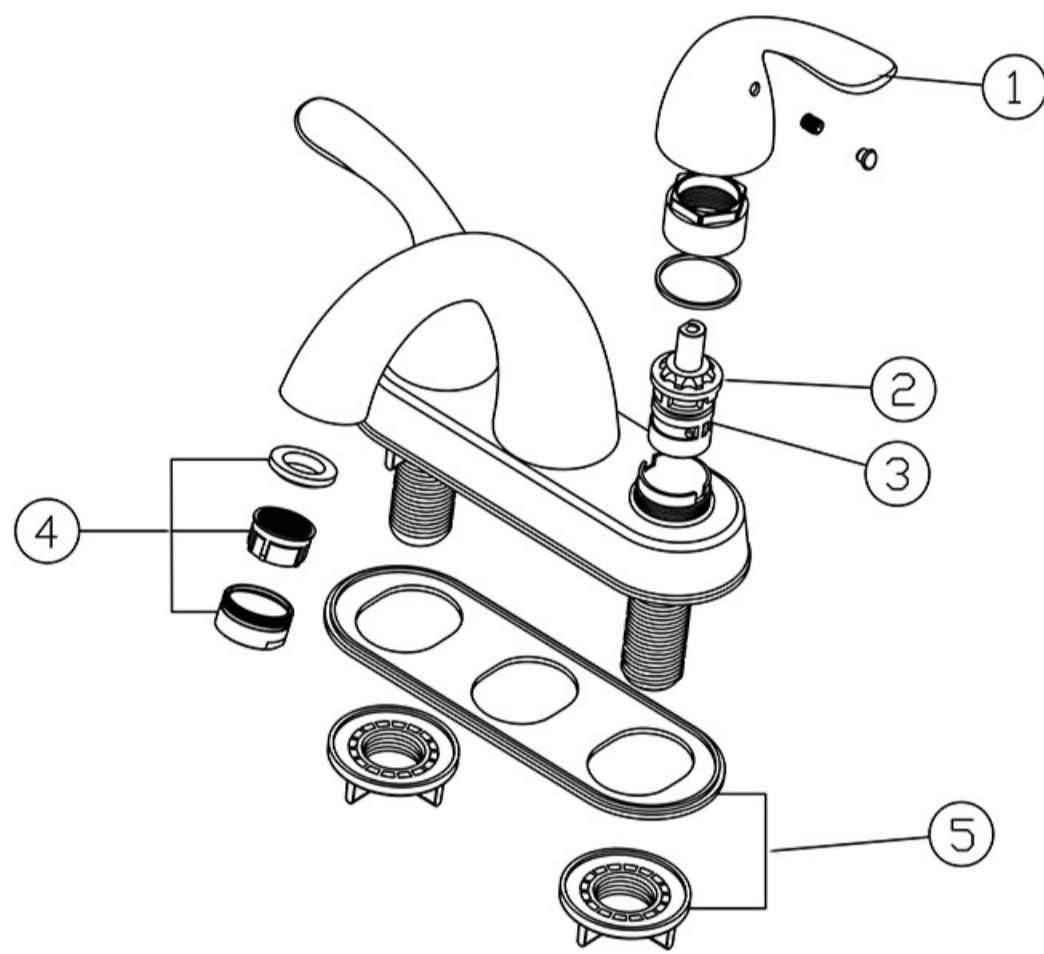
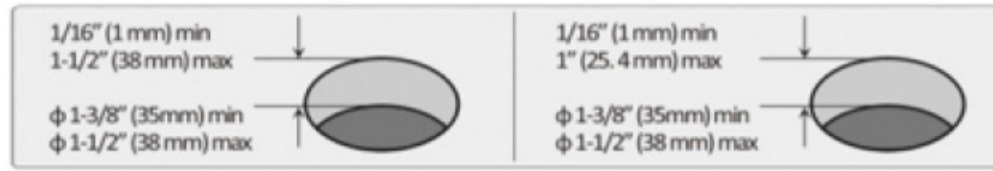


Diagram and Parts List

Note: Sty may vary by model.

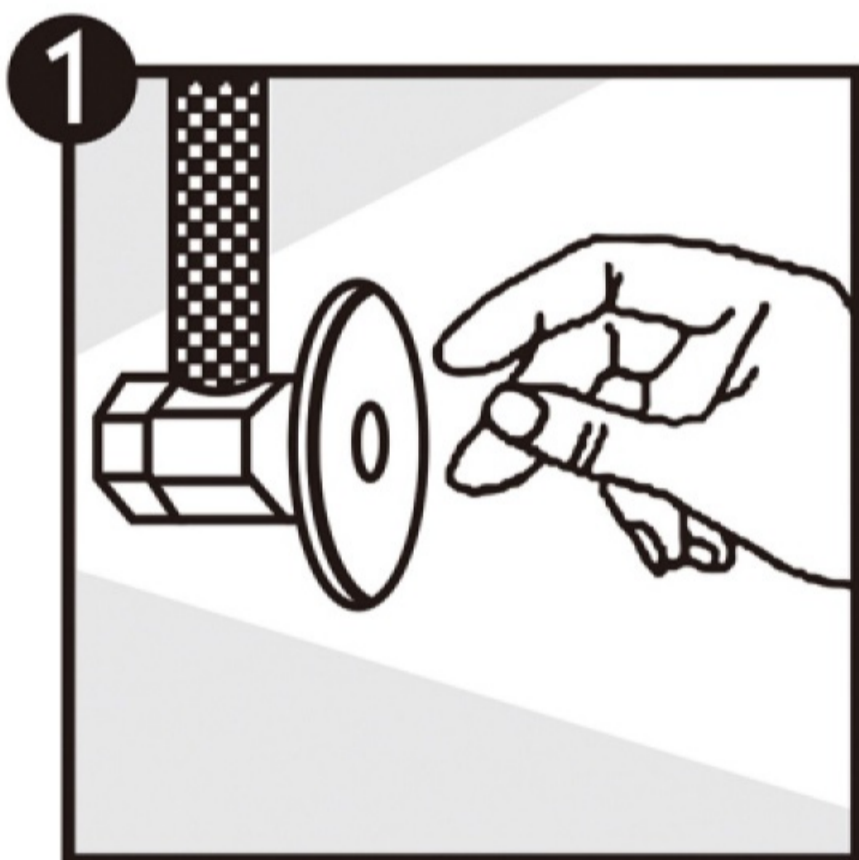
Before Installation

- A. Make sure you have all necessary parts by checking the diagram and parts list.
- B. Turn off the hot and cold water supply at the angle and turn on the old faucet to release any built up pressure. Remove existing faucet. Clean sink or counter top preparation for new faucet.
- C. Shut off angle stops.
- D. Pre-drilled hole size requirement: 1-3/8" (min)-1-1/2" (max)
 Max counter top thickness without deck plate: 1-1/2" (1 hole install)
 Max counter top thickness with deck plate: 1" (1, 2 or 3 hole install)

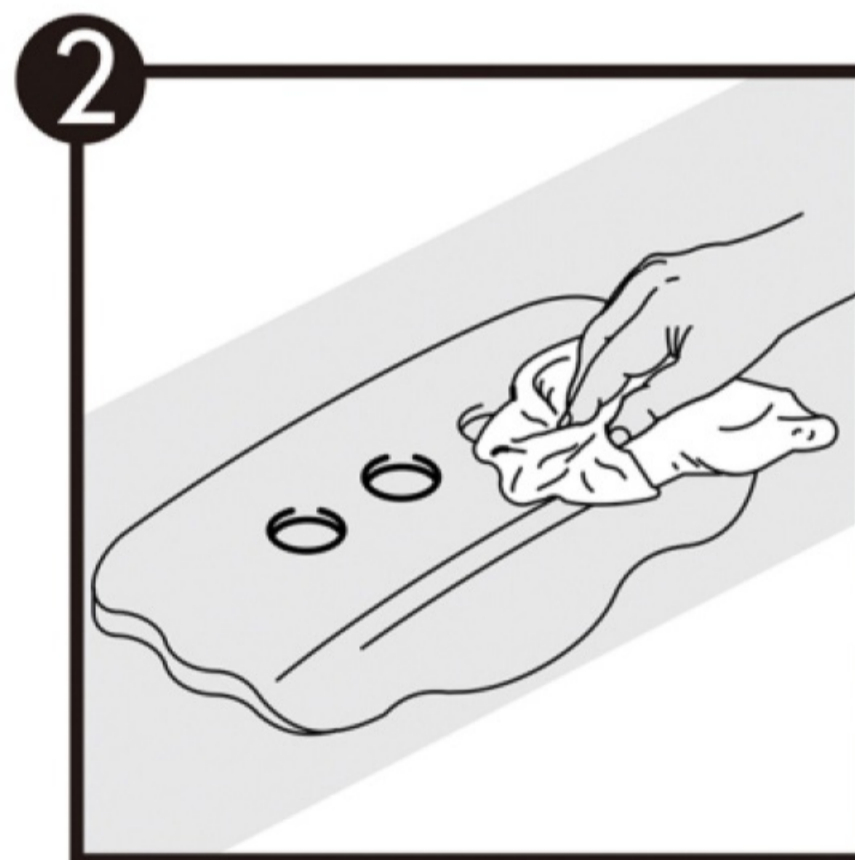


Index No.	Description	Finish	Basic Material	Part Qty	Part Unit
1	Multi-Handle Handle Assembly, Nickel	Nickel	Metal	1	Kit
2	Cartridge Assembly, Cold	N/A	Brass/Ceramic	1	Each
3	Cartridge Assembly, Hot	N/A	Brass/Ceramic	1	Each
4	Aerator Assembly, 1.5 GPM, Nickel	Nickel	Metal	1	Each
5	Installation Hardware Assembly	N/A	Brass/Steel	2	Kit

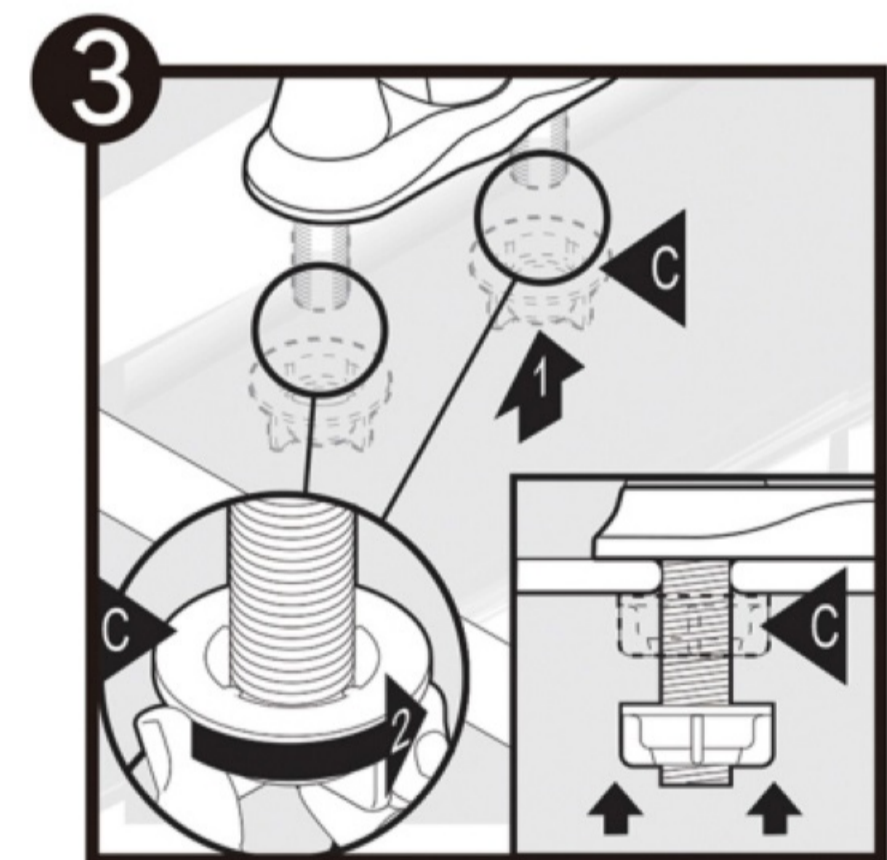
PHIESTINA Installation Guide



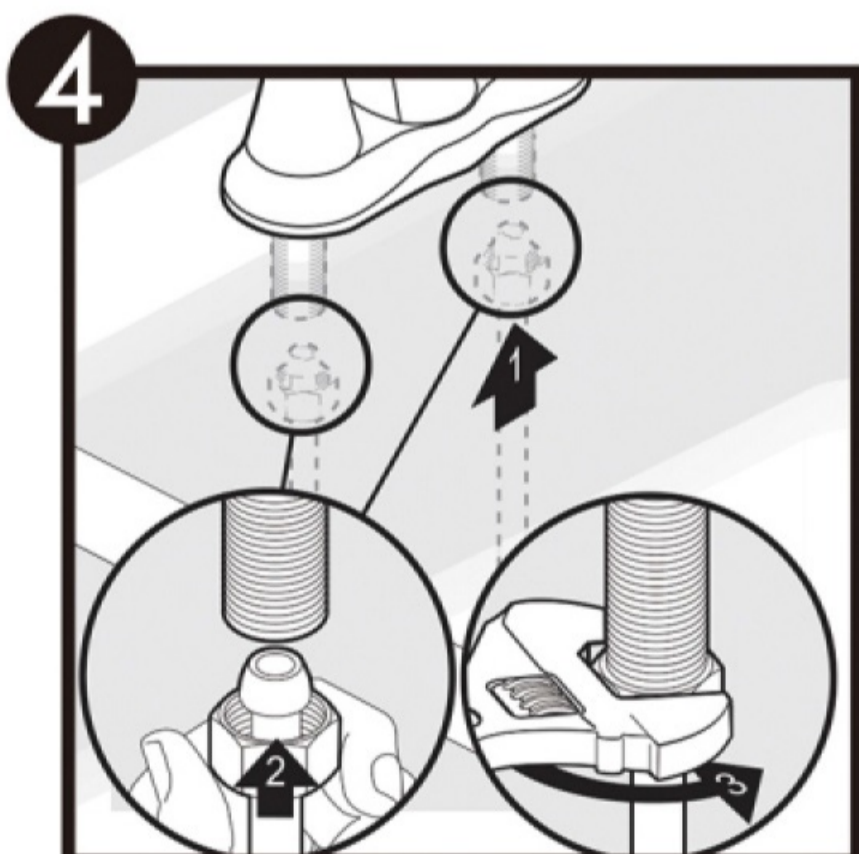
Shut off supply at angle stop.



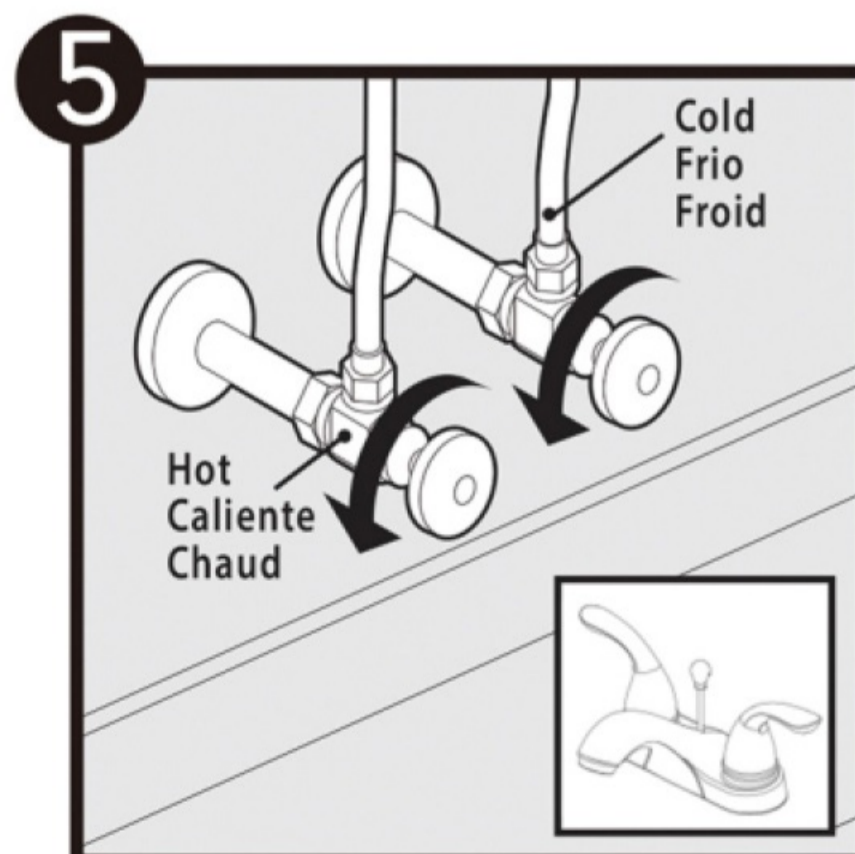
Remove old faucet. Clean sink surface in preparation for new faucet.



Apply some plumbers putty or other suitable sealant to the bottom edge of undercover.



Tighten fitting nuts with adjustable wrench. Please do not over tighten.



Connect and tighten the supply hose.

To obtain service or information please email to:
phiestinasupport@foxmail.com
 or call 866-675-2011



Phiestina faucet

INSTALLATION METHOD

To obtain service or information please email to:
phiestinasupport@foxmail.com or call 866-675-2011

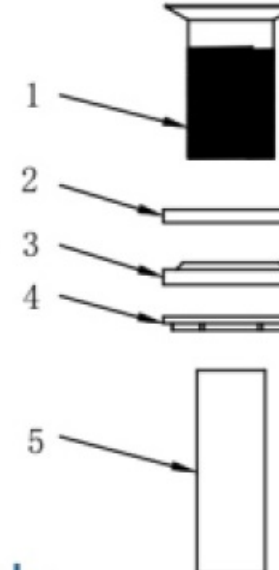
To obtain service or information please email to:
phiestinasupport@foxmail.com or call 866-675-2011

Attention

- It's recommended to put a pipe joint putty on the upper gasket of the bottom assembly. This will ensure you get a good seal on the bottom of the sink.
- Make sure the overflow hole of the pop up drain and the overflow of your sink is completely aligned if your sink come with overflow.
- If there is any leakage, please re-assemble the drain according to the previous steps.

Pop-up Drain Installation Instruction

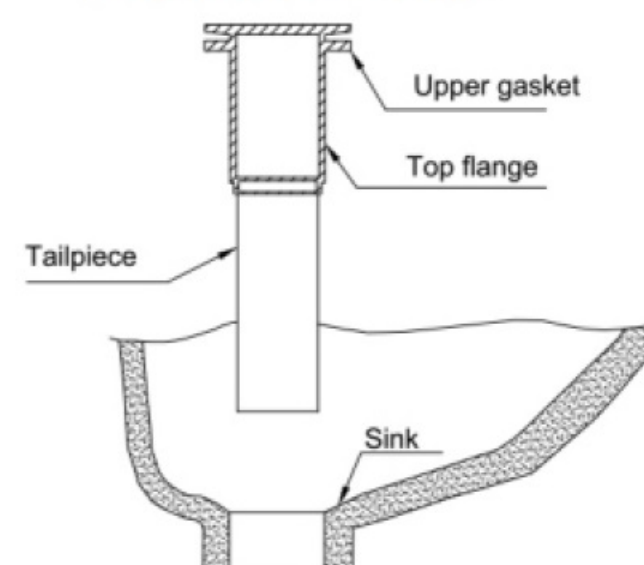
Package Contents

1. Top Flange
 2. Upper gasket
 3. Bottom gasket
 4. Lock nut
 5. Tailpipe
- 

Notes

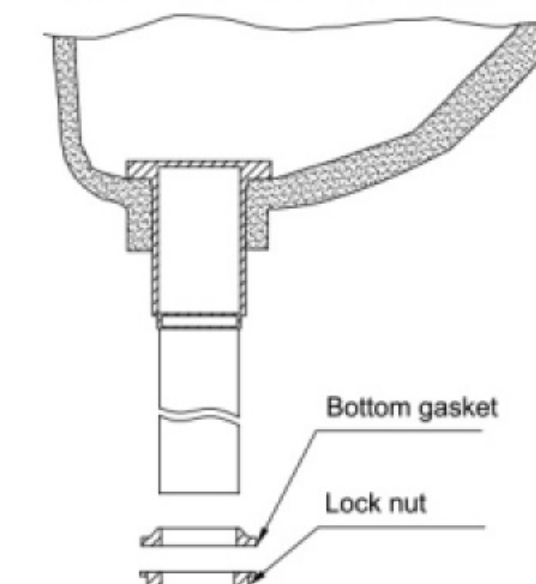
- Clean the top flange surface before installation.
- This item is not supposed to be twisted with any wrench.
- Do not use polishing powders to clean the drain.

Top Assembly



1. Align the upper gasket onto the top flange.
2. Insert the pop-up drain body up through the bottom of the sink.

Bottom Assembly



1. Align the bottom gasket as well as lock nut onto the tailpipe.
2. Place the drain body at the proper position and tighten up the lock nut.

▲!: Please do not use any cleaner to clean faucet.