

For Residential and Commercial Applications

Job Name		Engineer / Architect	
Job Location		Wholesaler	
Submittal Date		Contractor	

G2CR19B12AX/ G2CR19B16AX/ G2CR19B20AX Braided Faucet Supply Kit - Compression 1/4 Turn Angle Stop

Use: For use in potable water distribution systems in accessible locations only. Not intended for recirculating systems that produce continuous use temperatures above 115° F. For those applications, use our KT™ series supply kits.

Design Features:

- **Easy to install.** Combines our trusted G2™ supply stop and braided water connector for an easy to install one-piece connection
- **Significant time** and cost savings



Braided connector provides:

- **Corrosion Resistance** to harsh chemicals found in most common household cleaning and plumbing repair products
- **More flexible than stainless steel**, the braided polymer-coated fibers bend freely without kinking or crimping
- **Rubber washers** provide a large pliable sealing surface and ensures a long lasting water tight connection
- **8-sided pneumatic crimp** provides greater dependability for reliable nut-to-hose connections

G2™ quarter-turn stop provides:

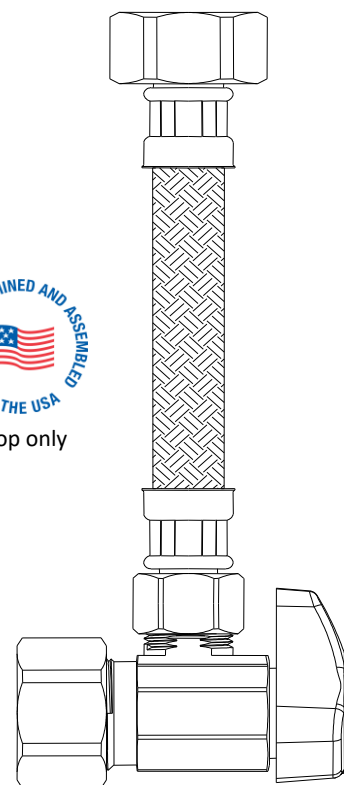
- **Compact machined** one-piece body design
- **Fast, reliable, secure**
- **Smooth 1/4 turn operation**
- **100% leak tested**

Operating Specifications:

Temperature: 40°- 160° F, intermittent to 180° F

Pressure: 125 PSI maximum

Tube Diameter: 0.300" ID (0.550" OD)



CONNECTOR MATERIAL SPECIFICATIONS	
Inner Hose	Reinforced PVC
Braiding	PVC yarn
Barb	Brass
Ferrule	Steel, zinc plated
Nut	Brass
Washer	Rubber
Compression Ring & Nut	Brass
Escutcheon	Stainless steel

STOP MATERIAL SPECIFICATIONS	
Body	Brass, plated
Stem Barrel	TPE
Stem Shaft	Engineered polymer
Stem O-ring	Rubber
Handle	ABS, plated or zinc die cast, plated
Handle Screw	Steel, zinc plated
Compression Nut	Brass, plated
Compression Sleeve	Brass

This specification and all information contained herein is the confidential and exclusive property of Brasscraft Manufacturing Company and shall not be disclosed to others without the written consent of Brasscraft Mfg. Co. This specification must be returned to Brasscraft Mfg. Co. if requested.

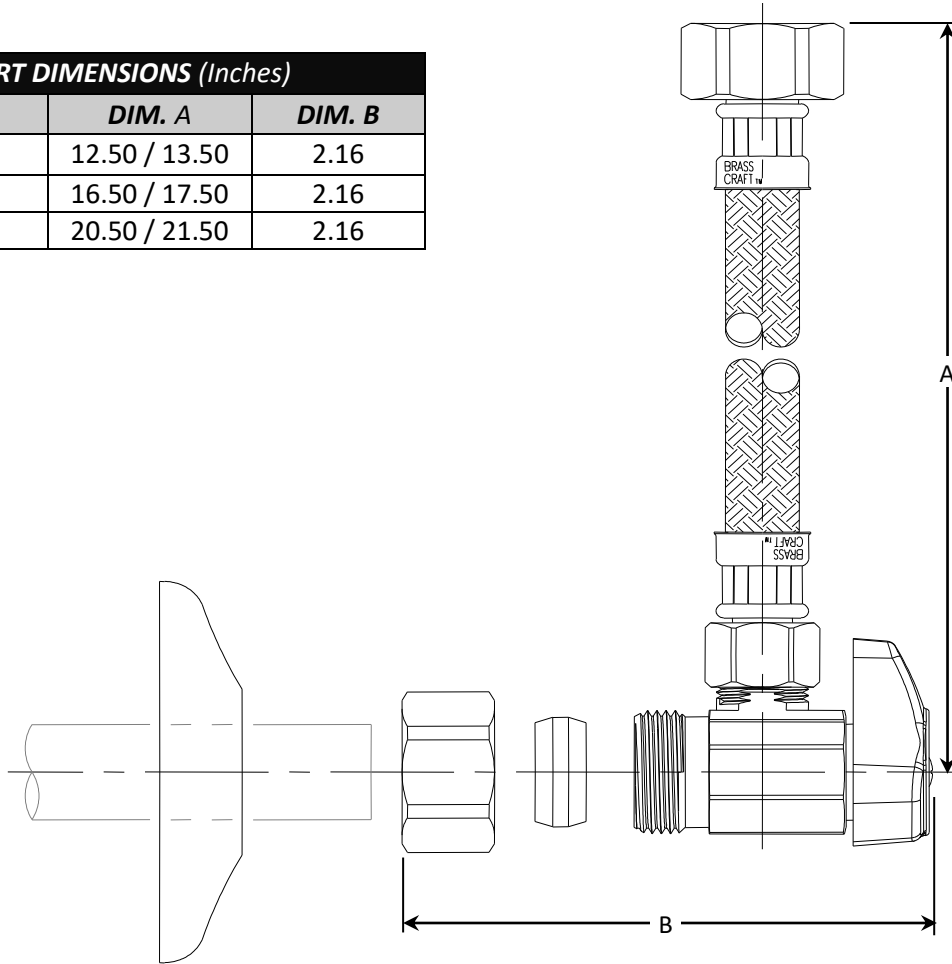


G2CR19B12AX/ G2CR19B16AX/ G2CR19B20AX Braided Faucet Supply Kit - Compression 1/4 Turn Angle Stop

Part Listing:

- G2CR19B12AX C 1/2" nom compression x 3/8" OD compression 1/4 turn stop with 1/2" FIP outlet x 12" length braided connector, shallow escutcheon, chrome finish
- G2CR19B16AX C 1/2" nom compression x 3/8" OD Compression 1/4 turn stop with 1/2" FIP outlet x 16" length braided connector & shallow escutcheon, chrome finish
- G2CR19B20AX C 1/2" nom compression x 3/8" OD Compression 1/4 turn stop with 1/2" FIP outlet x 20" length braided connector & shallow escutcheon, chrome finish

PART DIMENSIONS (Inches)		
Model	DIM. A	DIM. B
G2CR19B12AX	12.50 / 13.50	2.16
G2CR19B16AX	16.50 / 17.50	2.16
G2CR19B20AX	20.50 / 21.50	2.16



Listings & Certifications:

Stops

- IAPMO listed to ASME A112.18.1 / CSA B125.1 (includes NSF/ANSI 372 and NSF/ANSI/CAN 61)

Connectors

- IAPMO listed to ASME A112.18.6 / CSA B125.6 (includes NSF/ANSI372 and NSF/ANSI/CAN 61)



stop only

This specification and all information contained herein is the confidential and exclusive property of Brasscraft Manufacturing Company and shall not be disclosed to others without the written consent of Brasscraft Mfg. Co. This specification must be returned to Brasscraft Mfg. Co. if requested.

