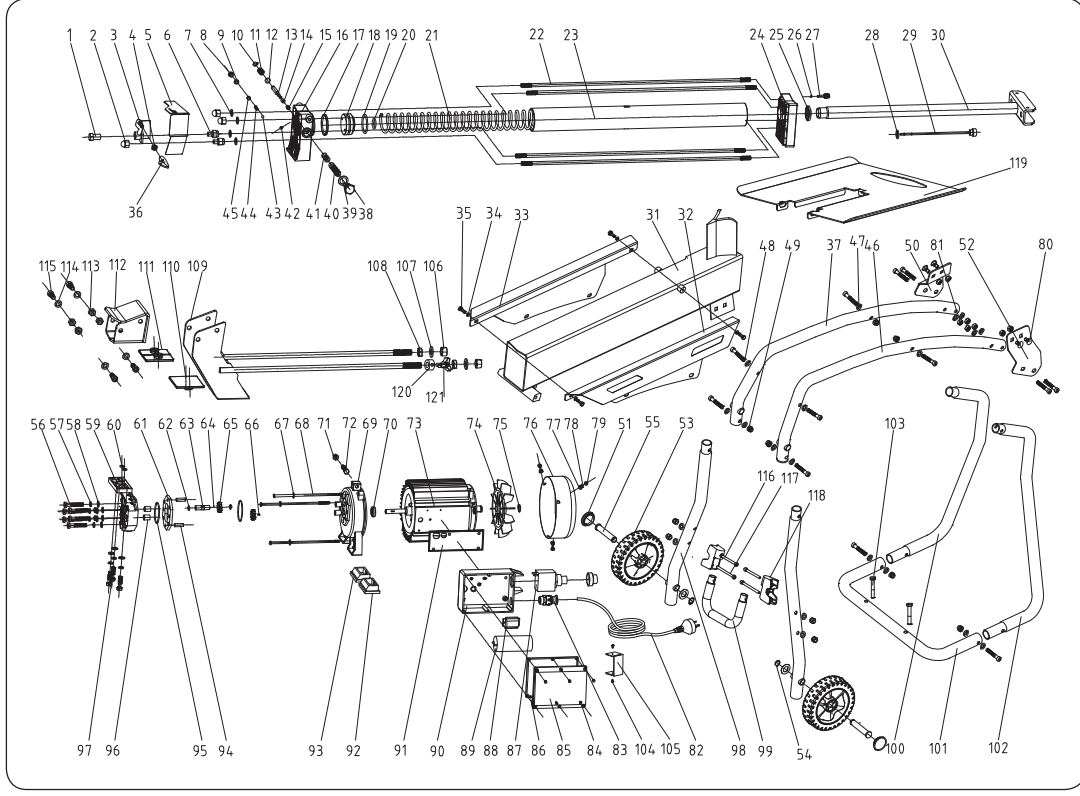


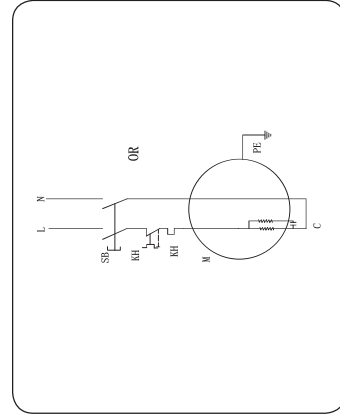
## PARTS DIAGRAM



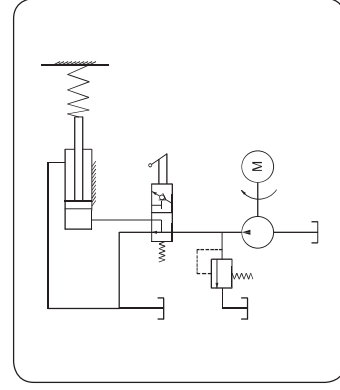
## TROUBLESHOOTING

Problem	Cause	Remedy
Fails to split logs.	<ol style="list-style-type: none"> <li>1. Log is improperly positioned.</li> <li>2. The sizes or hardness of the log exceeds the capacity of the machine.</li> <li>3. Wedge cutting edge is dull.</li> <li>4. Oil leaks.</li> <li>5. Adjustment was made on max pressure limiting screw.</li> </ol>	<ol style="list-style-type: none"> <li>1. Refer to Log Splitter Operation section of this manual for proper log loading.</li> <li>2. Reduce the log sizes before splitting it on the log splitter.</li> <li>3. Refer to Sharpening the Wedge section to sharpen the cutting edge.</li> <li>4. Locate leak(s) and contact YARDMAX.</li> <li>5. Contact YARDMAX.</li> </ol>
Log ram moves inconsistently, making unfamiliar noises or vibrations.	Lack of hydraulic oil and excessive air in the hydraulic system.	Check oil level for possible oil refilling. Contact YARDMAX.
Oil leaks around stroke limiter or from other points.	<ol style="list-style-type: none"> <li>1. Air sealed in hydraulic system while operating.</li> <li>2. Bleed screw is not tightened before moving the log splitter.</li> <li>3. Oil drain bolt with dipstick is not tight.</li> <li>4. Hydraulic control valve assembly and/or seal(s) worn.</li> </ol>	<ol style="list-style-type: none"> <li>1. Loosen bleed screw by 3-4 rotations before operating the log splitter.</li> <li>2. Tighten the bleed screw before moving the log splitter.</li> <li>3. Tighten the oil drain bolt with dipstick.</li> <li>4. Contact YARDMAX.</li> </ol>
Ram moves slowly and stops prior to the end.	Log splitter may not be level.	Ensure the log splitter is on a level surface.

## WIRING DIAGRAM



## PLUMBING DIAGRAM



PARTS LIST

No.	Description	QTY.	No.	Description	QTY.	No.	Description	QTY.
1	Lever Mount Nut	1	31	Frame Tube	1	91	Waterproof Underlay	1
2	Cap Nut M10	3	32	Lead Plank 1 - Left	1	92	Motor Support Left Shoe	1
3	Lever	1	33	Lead Plank 2 - Right	1	93	Motor Support Right Shoe	1
4	Nut M8	1	34	Washer 6	4	94	Pin 8x24	2
5	Lever Guard	1	35	Screw M6x10	4	95	O-Ring 46.2x1.8	2
6	Customized Nut	2	36	Lever Knob	1	96	Sliding Sleeve	4
7	Copper Gasket 10	4	37	Support Frame - Right	1	97	Bolt M8x30	3
8	Safety Valve Bolt M8	1	38	Drain Plug	1	98	Rear Support Stand	2
9	O-Ring 5.5x2	1	39	Washer Groupware 16	1	99	Rear U-Shaped Connecting Pipe	1
10	Snap Washer 6	1	40	Valve Sleeve	1	100	Front Support Stand - Left	1
11	Valve Retract Spring	1	41	O-Ring 10x2	5	101	Front U-Shaped Connecting Pipe	1
12	O-Ring 6x1.5	1	42	Adjusting Screw M5x8	1	102	Front Support Stand - Right	1
13	Valve Core Rod	1	43	Steel Ball 6	1	103	Bolt M8x50	2
14	Sliding Pressure Sensor Sleeve	1	44	Safety Valve Spring	1	104	Screw ST2.9X6.5	2
15	Sliding Pressure Sensor Sleeve Spring	1	45	Adjusting Screw M8x8	1	105	Guard board	1
16	Aluminium Cover- Rear	1	46	Support Frame - Left	1	106	Lock Nut M14	2
17	O-Ring 50x2.65	1	47	Arc Washer 30	18	107	Flat Washer 14	2
18	Piston	1	48	Screw M8x45	12	108	Nut M14	2
19	Piston Ring 55	1	49	Nut M8	12	109	Log Pusher Connection Weldment	1
20	O-Ring 32x3.5	1	50	Support Stand Mounting Bracket - Right	1	110	Plastic Insert - Lower	1
21	Spring	1	51	Wheel Cap	2	111	Plastic Insert - Upper	1
22	Stud Bolt	4	52	Support Stand Mounting Bracket - Left	1	112	Log Pusher	1
23	Hydraulic Cylinder	1	53	Wheel	2	113	Lock Nut M10	4
24	Aluminium Cover-Front	1	54	Circlip 14	2	114	Flat Washer 10	5
25	Piston Rod Seal 30	1	55	Wheel Axle	2	115	Screw M10x25	4
26	O-Ring 7x1.9	1	56	Bolt M8x55	6	116	Screw M8x85	2
27	Knurled Screw	1	57	Spring Washer 8	9	117	Screw M8x100	2
28	Wahser Groupware 14	1	58	Washer 8	9	118	Support Bracket	2
29	Dipstick	1	59	Gear Pump Cover	1	119	Log Tray Table	1
30	Piston Rod	1	60	O-Ring 10.6x2.65	2	120	Ring-shaped Nut	1
						121	Handwheel	1
						61	Gear Housing Plate	1
						62	Circlip 10	2
						63	Gear Shaft	1
						64	Steel Ball 2.5	1
						65	Gear	2
						66	Pin 2.5x4	1
						67	Flat Washer 5	6
						68	Bolt M5x185	3
						69	Motor Cover	1
						70	Oil Seal FB11x26x7	1
						71	Nut M8	1
						72	Screw M8x35	1
						73	Motor	1
						74	Fan	1
						75	Circlip 17	1
						76	Shroud	1
						77	Flat Washer 5	6
						78	Spring Washer 5	6
						79	Screw M5x10	2
						80	Bolt M8x16	4
						81	Nut M8	8
						82	Cable & Plug	1
						83	Strain Relief	1
						84	Screw M4x10	11
						85	Switch Box Cover	1
						86	Airproof Underlay	1
						87	Connection Terminal	1
						88	Switch	1
						89	Capacitor	1
						90	Switch Box	1