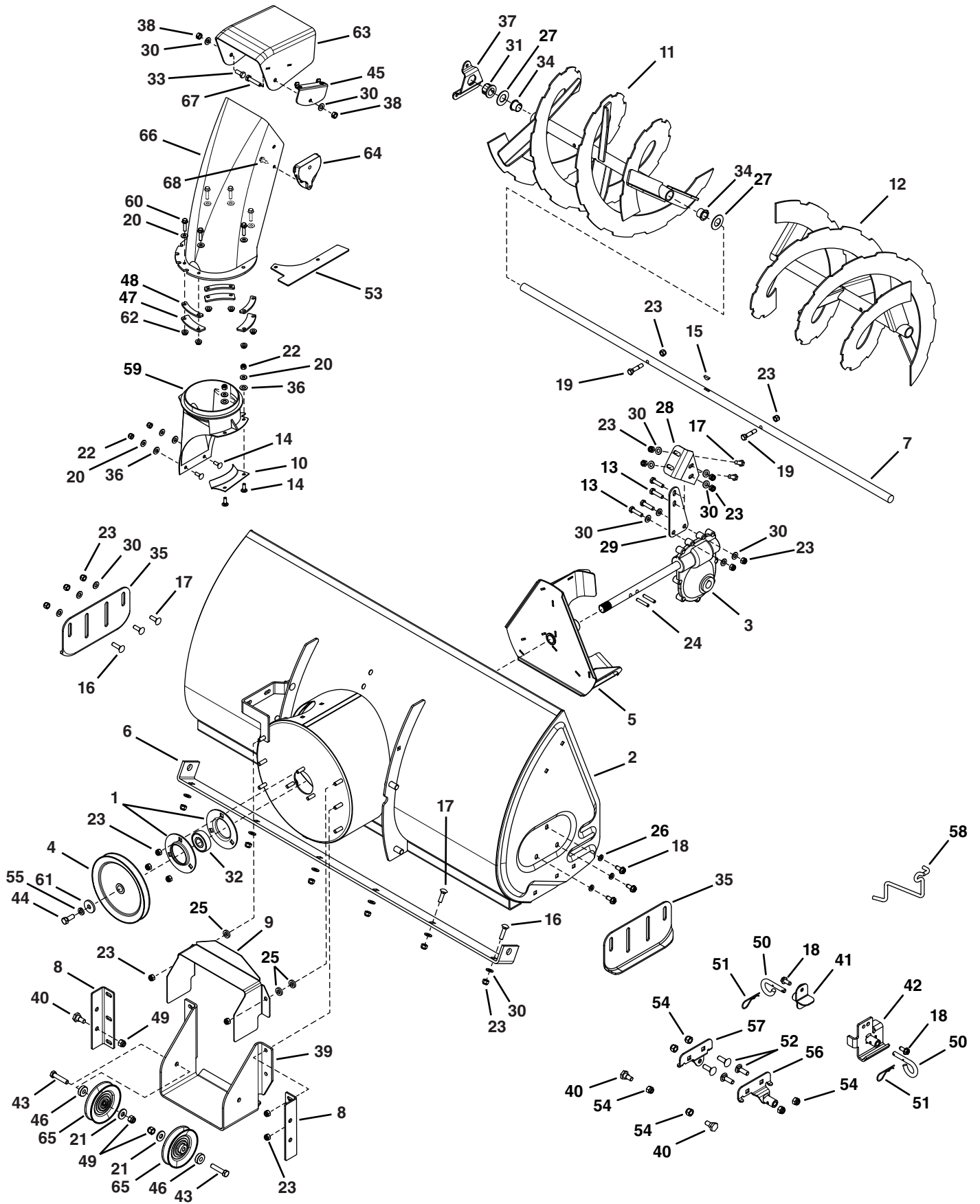


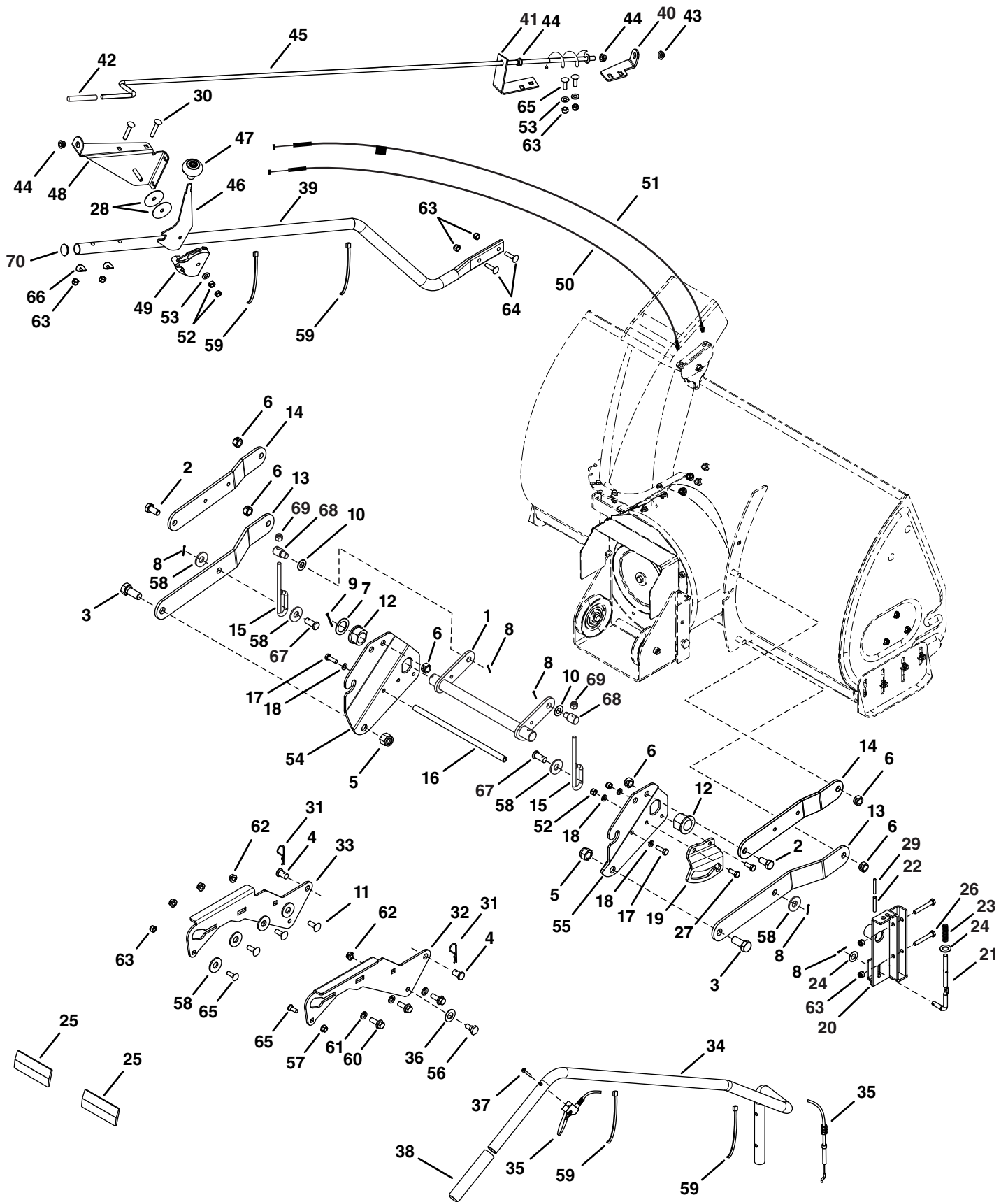
# REPAIR PARTS FOR MODEL LST42G 42" SNOW THROWER



## REPAIR PARTS FOR MODEL LST42G 42" SNOW THROWER

REF	PART NO	QTY	DESCRIPTION	REF	PART NO	QTY	DESCRIPTION
1	42716	2	Flange, Bearing	36	48015	4	Washer, Nylon
2	67629	1	Housing Assembly	37	27458	2	Flange, Bearing
3	71464	1	Gear Assembly	38	43064	2	Hex Lock Nut, 1/4-20 x 20
4	47026	1	Pulley, V Type	39	27502	1	Bracket, Idler
5	67632	1	Impeller Assembly	40	48106	4	Bolt, Shoulder
6	24773	1	Scraper Plate	41	65367	1	Hanger Bracket Assembly, L.H.
7	25982	1	Shaft, Auger Gearbox	42	65450	1	Hanger Bracket Assembly, R.H.
8	27508	2	Bracket, Down Stop	43	41576	2	Hex Bolt, 3/8-16 x 1-3/4"
9	24816	1	Cover, Belt	44	44377	1	Hex Bolt, 3/8-24 x 1"
10	27510	1	Chute Reinforcement	45	27584	1	Bracket, Cable
11	67689	1	Auger Assembly, L.H.	46	42850	2	Spacer
12	67688	1	Auger Assembly, R.H.	47	27809	3	Chute Keeper
13	43063	4	Bolt, Hex 5/16-18 x 1"	48	27810	3	Chute Spacer
14	44950	4	Carriage Bolt, 1/4-20 x 3/4"	49	HA21362	4	Hex Nut, 3/8-16 Nylock
15	HA20185	1	#61 Woodruff Key	50	43038	2	Pin, Pivot Lock
16	44326	4	Carriage Bolt, 5/16-18 x 1" Lg.	51	43343	2	Pin, Hair Cotter #4 (1/8")
17	43080	12	Carriage Bolt, 5/16-18 x 3/4" Lg.	52	43350	4	Carriage Bolt, 3/8-16 x 1"
18	47630	8	Bolt, Self-Tap 5/16" x 3/4"	53	27509	1	Bracket, Chute Anti-rotation
19	42849	2	Bolt, Shear 5/16-18 x 1-1/2"	54	47572	6	Hex Lock Nut, 3/8-16 Flanged
20	43088	10	Washer, 1/4"	55	43003	1	Lock Washer, 3/8"
21	43070	2	Washer, 3/8"	56	64452	1	Hanger Bracket Assembly, R.H.
22	47189	4	Hex Nut, 1/4-20 Nylock	57	64451	1	Hanger Bracket Assembly, L.H.
23	47810	29	Hex Nut, 5/16-18 Nylock	58	47043	1	Keeper, Engine Pulley
24	41625	2	Spiral Pin, 1/4" x 1-1/2" Lg.	59	27505	1	Chute Adapter
25	42846	3	Bushing	60	43661	6	Hex Bolt, 1/4-20 x 1"
26	43086	6	Lock Washer, 5/16"	61	42828	1	Washer,
27	43009	6	Washer, .785" x 1.57" x .057"	62	47598	6	Hex Lock Nut, 1/4" Flanged
28	27915	1	Brace, Gearbox Top	63	41620	1	Chute, Upper
29	27916	1	Brace, Gearbox Lower	64	42834	1	Guide, Cable
30	43081	22	Washer, 5/16" Std. Wrt.	65	47044	2	Pulley, V Type 4"
31	47615	2	Bearing, Flange	66	41621	1	Chute, Lower
32	42844	1	Bearing, Ball	67	43085	1	Hex Bolt, 5/16-18 x 1-1/2"
33	43182	1	Hex Bolt, 5/16-18 x 3/4"	68	41622	1	Screw, 1/4-14 x 5/8"
34	42953	4	Bearing, Split, 3/4"		28156	1	Owner's Manual
35	24279	2	Skid Shoe				

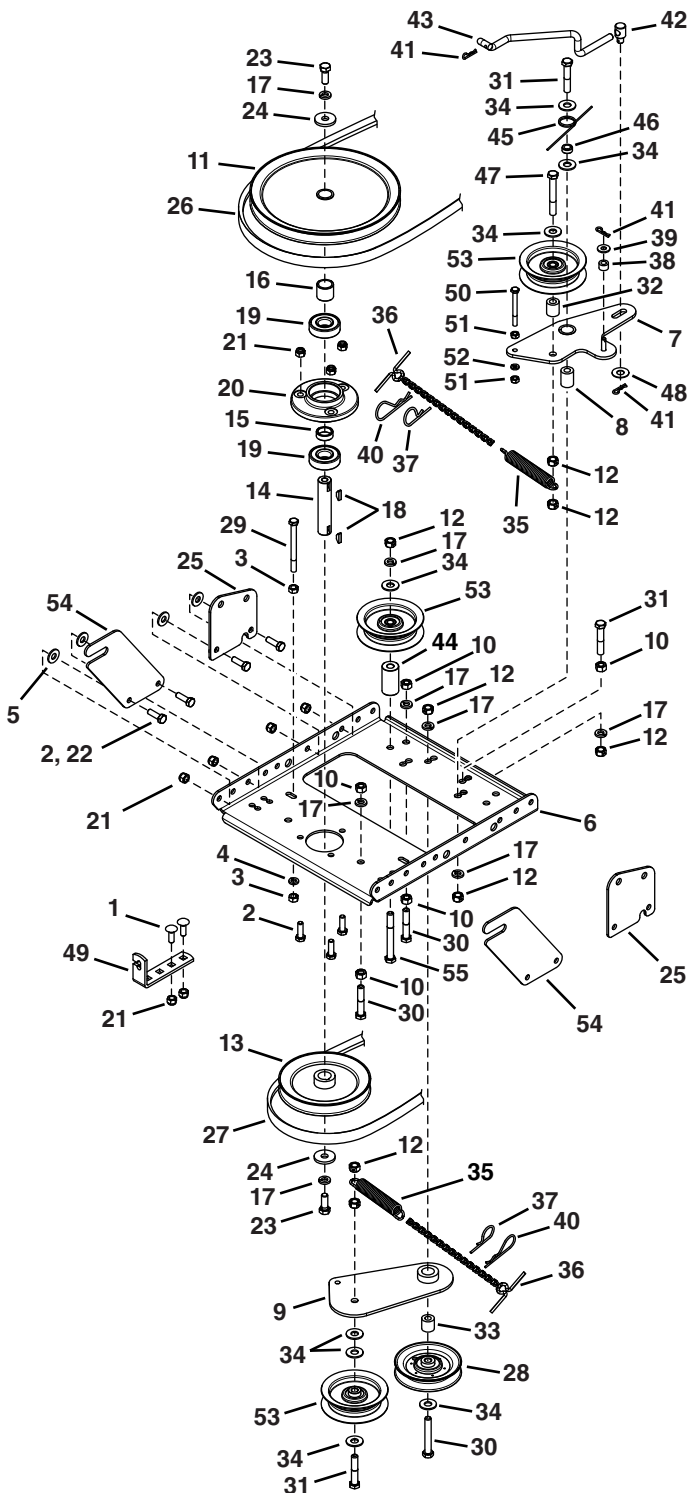
# REPAIR PARTS FOR MODEL LST42G 42" SNOW THROWER



## REPAIR PARTS FOR MODEL LST42G 42" SNOW THROWER

REF	PART NO	QTY	DESCRIPTION	REF	PART NO	QTY	DESCRIPTION
1	68550	1	Lift Shaft Assembly	36	43070	2	Washer, 3/8"
2	41616	2	Hex Bolt, 1/2-13 x 1"	37	49266	1	Screw, Oval #10-24 x 1-1/2"
3	41614	2	Hex Bolt, 5/8-11 x 1-1/2"	38	44482	1	Grip, Handle
4	42842	2	Pin, Clevis 1/2" x 78"	39	27914	1	Tube, Crank Rod Support
5	41615	2	Nut, Hex Lock 5/8-11 Thread	40	24393	1	Bracket, Chute Crank
6	43262	6	Nut, Hex Lock 1/2-13	41	27708	1	Bracket, Chute Crank
7	43601	1	Washer, 1.59" x 1.032" x .060"	42	HA9822	1	Grip
8	142	5	Pin, Cotter 1/8" x 3/4"	43	44917	1	Palnut, 3/8"
9	43093	1	Pin, Cotter 1/8" x 1-1/2"	44	42839	3	Bushing, 3/8" Plastic
10	R19171616	2	Washer, 17/32" x 1"	45	68225	1	Assembly, Chute Crank Rod
11	43350	6	Carriage Bolt, 3/8-16 x 1"	46	27585	1	Handle, Chute Tilt
12	42939	2	Bearing, Flange With Flats	47	42833	1	Knob
13	27753	2	Link, 15.80" Long	48	68405	1	Assembly, Chute Tilt Bracket
14	27752	2	Link, 11.75" Long	49	42834	1	Guide, Cable
15	41807	2	Rod Lift	50	42835	1	Cable, Chute Control
16	24311	1	Rod, Spacer	51	42836	1	Cable, Chute Control with Clip
17	47599	2	Hex Bolt, 5/16-18 x 1" (Locking)	52	43064	4	Nut, Hex Lock 5/16-18
18	43086	4	Lock Washer, 5/16"	53	43081	3	Washer, 5/16"
19	24820	1	Bracket, Lift	54	24285	1	Plate, Mounting (L.H.)
20	67784	1	Assembly, Handle Lift Bracket	55	24284	1	Plate, Mounting (R.H.)
21	48049	1	Rod, Index Lift	56	48106	2	Bolt, Shoulder
22	47369	1	Pin, Spring 3/16" x 1-3/4"	57	46584	1	Nut, Whizlock, 5/16-18
23	42955	1	Spring, Compression	58	R19172410	12	Washer, 1/2"
24	R19131316	2	Washer, 13/32" x 13/16"	59	726-0178	4	Tie, Nylon
25	47788	2	Reflector, Rear	60	47631	6	Hex Bolt, 3/8-16 x 1" Self Tap
26	43084	2	Hex Bolt, 5/16-18 x 1-3/4"	61	43003	6	Lock Washer, 3/8"
27	43182	2	Hex Bolt, 5/16-18 x 3/4"	62	47572	8	Nut, Flanged Lock 3/8-16
28	43572	2	Washer, .343" x 1.5" x .059"	63	47810	10	Nut, Nylock Hex 5/16-18
29	47368	1	Pin, Spring 5/16" x 1-3/4"	64	43682	2	Carriage Bolt, 5/16-18 x 1-1/4"
30	44215	2	Carriage Bolt, 5/16-18 x 1-3/4"	65	44326	4	Carriage Bolt, 5/16-18 x 1"
31	43343	2	Pin, Haircotter #4 (1/8")	66	44695	2	Washer, Bowed
32	25678	1	Plate, Side (R.H.)	67	44062	2	Pin, Clevis 1/2" x 1"
33	25679	1	Plate, Side (L.H.)	68	24807	2	Trunnion, Lift
34	49916	1	Tube, Lift Handle	69	HA21362	2	Nut, Nylock Hex 3/8-16
35	49912	1	Trigger and Lift Cable Assembly	70	42991	1	Plug

# REPAIR PARTS FOR MODEL LST42G 42" SNOW THROWER



REF	PART NO	QTY	DESCRIPTION
7	63904	1	Idler Arm Assembly
8	24286	1	Spacer, Pivot
9	63762	1	Idler Bracket Assembly
10	43015	5	Hex Nut, 3/8-16
11	46981	1	Pulley, V Type 9"
12	43082	8	Nut, Hex Lock, 3/8-16
13	46982	1	Pulley, V Type 5-1/2"
14	27582	1	Shaft
15	42830	1	Spacer
16	42831	1	Spacer
17	43003	8	Lock Washer, 3/8"
18	42827	2	Key
19	42829	2	Bearing, Ball
20	27781	1	Housing, Bearing
21	47810	13	Hex Nut, 5/16-18 Nylock
22	43182	4	Hex Bolt, 5/16-18 x 3/4"
23	44377	2	Hex Bolt, 3/8-24 x 1"
24	42828	2	Washer
25	27016	2	Front Pulley Frame Bracket
26	46989	1	Belt, V Type Drive (55")
	48138	1	Belt, V Type Drive (56")
27	42992	1	Belt, V Type Auger
28	47044	1	Pulley, V Type 4"
29	47025	1	Hex Bolt, 5/16-18 x 3-1/2"
30	43432	3	Hex Bolt, 3/8-16 x 2-1/2"
31	43054	3	Hex Bolt, 3/8-16 x 2"
32	24571	1	Spacer
33	24472	1	Spacer, Pivot
34	43070	8	Washer, 3/8"
35	46959	2	Spring
36	46963	2	Chain
37	43055	2	Pin, Hair Cotter, 3/32"
38	23727	1	Spacer
39	43088	1	Washer, 1/4"
40	43343	2	Pin, Hair Cotter #4 (1/8")
41	HA3090	2	Pin, Hair Cotter 5/64"
42	42848	1	Trunnion
43	46948	1	Rod, Engagement
44	25780	1	Spacer
45	47607	1	Spring, Torsion
46	23625	1	Spacer
47	43509	1	Hex Bolt, 3/8-16 x 2-3/4" Lg.
48	47605	1	Washer, Flat 3/8"
49	24558	1	Cable Bracket
50	49870	1	Hex Bolt, 1/4-20 x 2-1/2"
51	43178	2	Hex Nut, 1/4-20
52	43177	1	Lock Washer, 1/4"
53	48883	3	Pulley, Flat 3-5/8"
54	25728	2	Rear Pulley Frame Bracket
55	46938	1	Hex Bolt, 3/8-16 x 3-1/4"

REF	PART NO	QTY	DESCRIPTION
1	43080	2	Carriage Bolt, 5/16-18 x 3/4"
2	43063	7	Hex Bolt, 5/16-18 x 1"
3	43083	2	Hex Nut, 5/16-18
4	43086	1	Lock Washer, 5/16"
5	43081	20	Washer, 5/16" Std. Wrt.
6	26943	1	Frame, Clutch and Pulley