


BPWM16W Rating Label

128 mm x 70 mm






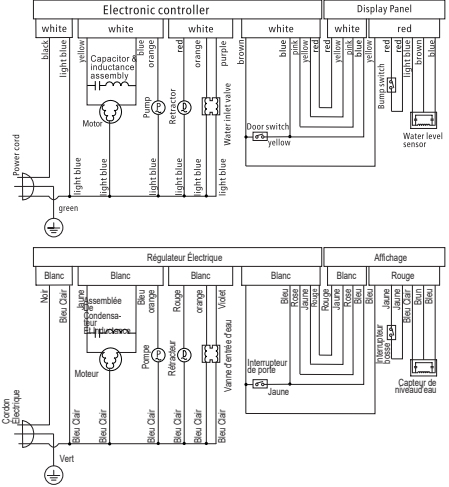
1.7 CU. FT. PORTABLE WASHER
MACHINE À LAVER PORTABLE 1,7 PI. CU.
LAVARROPAS PORTÁTIL DE 1,7 PIES
CÚBICOS (49 L) DE CAPACIDAD
MODEL | MODELO | MODELO:
BPWM16W

Voltage Tension Voltaje	Frequency Fréquence Frecuencia	Rated Current Courant Nominal Corriente Nominal	Rated Capacity Capacité Nominale Capacidad Nominal	Drum Size Taille du tambour Tamaño del tambor	Phase Fase
120V-	60Hz	6.0A	4.0Kg	1.7 Cu. Ft.	1

Serial No. | No. de Serie | No. de Serie
YYWWXXXXX

MADE IN CHINA Under license from BLACK+DECKER
FABRIQUÉ EN CHINE Sous licence de BLACK+DECKER | HECHO EN CHINA Bajo licencia de BLACK+DECKER



The diagram shows two wiring schemes. The top one is for the 'Electronic controller' and 'Display Panel', and the bottom one is for the 'Régulateur Electrique' and 'Affichage'. Both diagrams show connections for a power cord (white, black, light blue, green) and various components like a motor, capacitor, pump, relay, water meter, door switch, and water level sensor. Wire colors are specified in both English and French.

Serial No.

YYWWXXXXX



Serial No. - YYWWXXXXX

The first two digits represent the year of manufacture (18)
 The second two digits represent the week (42 week of 2018)
 The last five digits would represent the production sequence
 (00027 would be the twenty-seventh item produced in the production run)

Sample serial number - 184200001
 184200002
 184200003
 184200004
 184200005

184200027