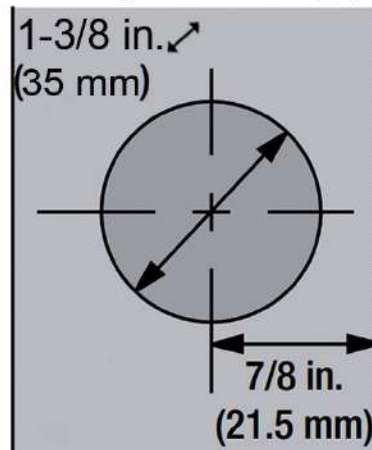


# 165 DEGREE SELF CLOSING FRAMELESS HINGE

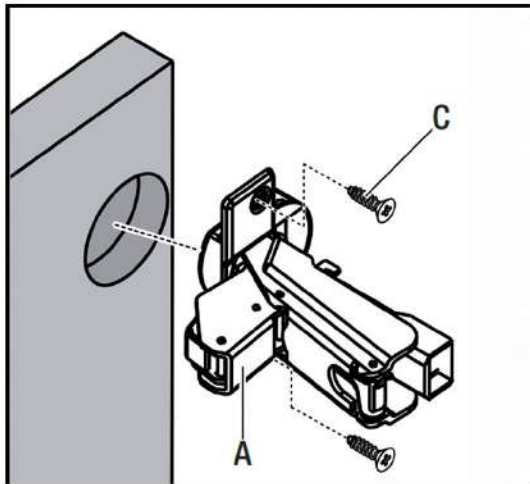
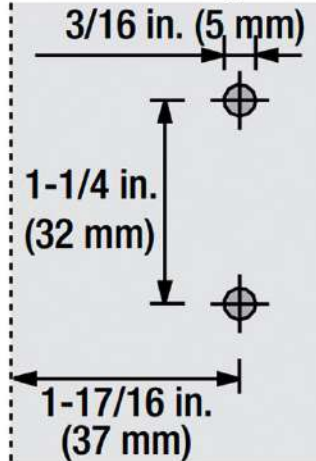
## 1 Pre-drilling the installation holes

- Use a pencil and tape measure to measure and mark the installation locations as this diagram shows.
- Then use a 1/16 in. drill bit to drill the cabinet holes and a 35 mm boring bit to drill the door hole. Ensure the door hole is no deeper than 15/35 in. (12 mm). Do not drill through either the door face or the cabinet.

### DOOR (Head of Hinge)



### CABINET (Plate)

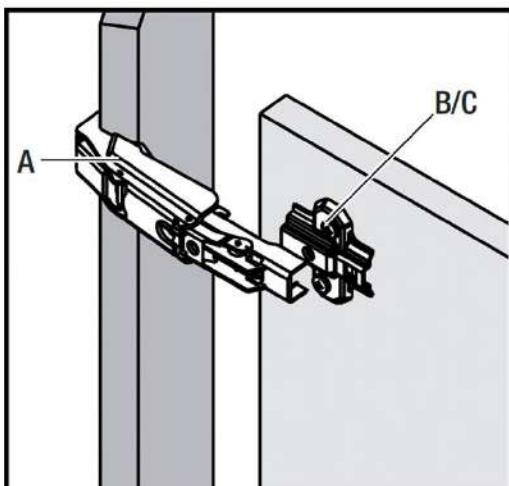
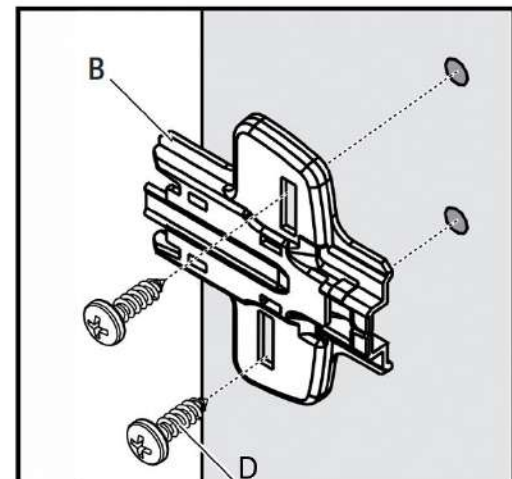


## 2 Installing the hinges to the door

- Insert each hinge (A) into the pre-drilled holes in the door and secure using two screws (C) for each hinge (A).

## 3 Installing the mounting plates

- Align the mounting plates (B or C) to the pre-drilled holes and fasten to the cabinet using two screws (D) per mounting plate (B or C).



## 4 Installing the door to the cabinet

- Open the hinges (A) to the fully-extended position.
- Connect the hinge arms (A) to the mounting plates (B or C) and press the hinge arms (A) down until they snap to the plates (B or C).