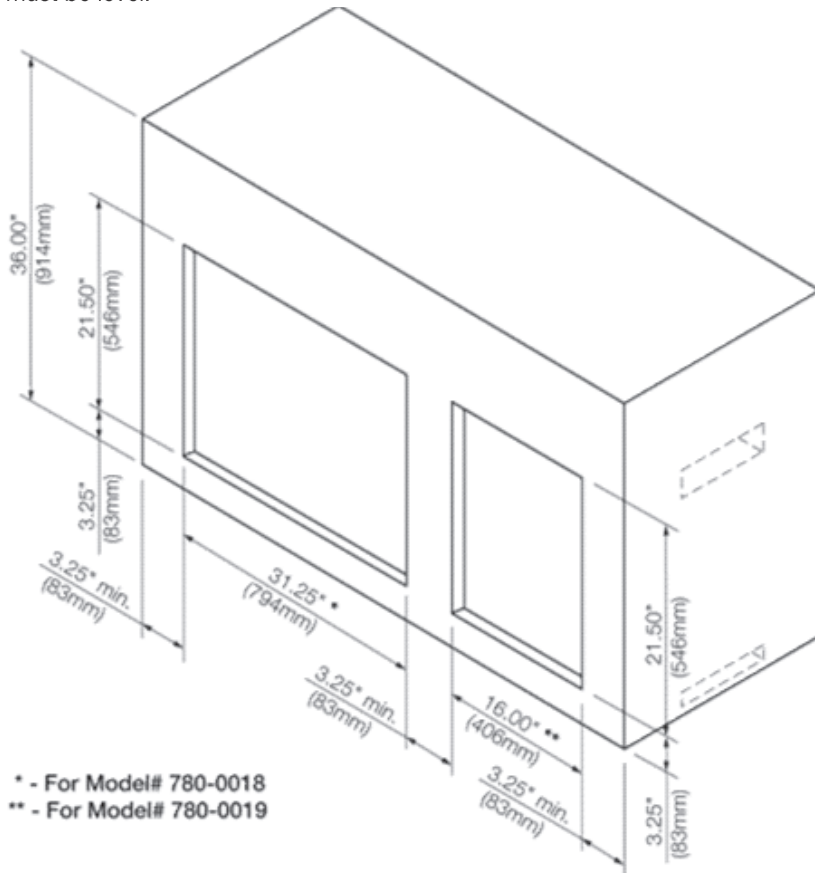


Cabinet Cutout Dimensions

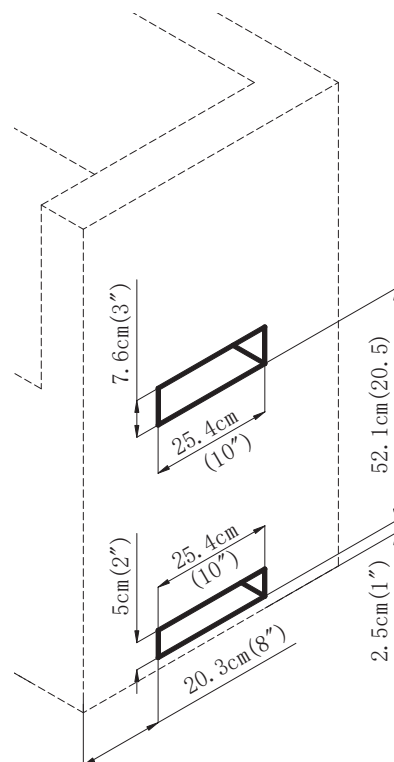
The illustration below includes cutout dimensions and minimum spacing requirements. The illustration is for reference. The design of your cabinet layout can be personalized, but the dimensions for the cutouts and minimum spacing must be followed. Center or support surfaces must be level.



Built-in Outdoor Grill Enclosure Ventilation Requirements

Any outdoor grill enclosure is to be ventilated by openings at both the top and lower levels of the enclosure. The following information is the minimum for proper ventilation of your island construction.

- There should be a minimum of 1 7/8" (4.4 cm) of clearance from the bottom of the main burner bowl assembly island for proper ventilation.
NOTE: There should be no solid surface underneath the firebox portion of the grill.
- A minimum of 3" (7.6 cm) is required between the back of the grill and any noncombustible materials. A minimum of 36" (92 cm) is required between the back of the grill and any combustible material.
- The island must be vented in one of the 2 following ways:
 A 90° or a 180° ventilation in the island to ensure that air flows through the island at either 90° or 180° .
- Any enclosure for built-in installation is to have at least one ventilation opening on an exposed exterior side located within 2½" (6.0 cm) of the top and is to be a minimum of 20 in.² (129.0 cm²). One ventilation opening within 1½" (3.0 cm) of the bottom of the enclosure, and the bottom opening is to be a minimum of 10 in.² (64.5 cm²). All vent openings are to be unobstructed. Every opening is to be a minimum of 1/8" (0.32 cm) wide.
- To ensure that the grill operates properly, it is recommended that the island have ventilation on all 4 sides as shown in the following illustration. The ventilation holes should be as diagrammed to ensure adequate ventilation for your grill and island.



- Proper ventilation is a required based on the above mentioned specifications for your grill to operate properly.

INSTALLATION INSTRUCTIONS

1. Remove access doors from mounting frame by lifting each door up and off the mounting frame hinge.
2. Install mounting frame flush to the face of the cabinet cutout. Make sure the mounting frame is level.
3. Install screws (not supplied) into holes located on the mounting frame.
4. Replace access doors by placing each door back on the mounting frame hinges.

ACCESS DOOR CARE

General Cleaning

IMPORTANT: For routine cleaning, wash with soap and water using a soft cloth or sponge. Rinse with clean water and dry at once with a soft, lint-free cloth to avoid spots and streaks. Do not use steel wool to clean the product, as it will scratch the surface.

STAINLESS STEEL

IMPORTANT: To avoid damage to stainless steel surfaces, do not use soap-filled scouring pads, abrasive cleaners, cooktop polishing creme, steel wool, gritty wash cloths or paper towels. Cleaner should not contain chlorine. Damage may occur. Spills may cause permanent discoloration.

Cleaning Method:

- Rub in direction of grain to avoid scratching or damaging the surface.
 - Stainless steel cleaner.
 - Liquid detergent or all-purpose cleaner.
 - Rinse with clean water and dry with soft, lint-free cloth.
 - Vinegar to remove hard water spots.
 - Glass cleaner to remove fingerprints.

EXTERIOR and INTERIOR

The quality of this material resists most stains and pitting, providing that the surface is kept clean, polished and covered.

Cleaning Method:

- Apply stainless steel polish to all areas before first use.
- Reapply after each cleaning to avoid damage.
- Cleaning should always be followed by rinsing with clean, warm water.
- Use a metal polish or stainless steel brightener to remove fingerprints, water spots, oxidation, and food stains. Always follow the manufacturer's directions.
- Wipe the surface completely dry with a soft cloth.

ASSISTANCE

When calling, please know the purchase date and the complete model and serial number of your appliance. This information will help us to better respond to your request.

If you need replacement parts

If you have questions or need to order replacement parts, contact Customer Service Center at 1-877-373-2301 .

Please direct all correspondence to:
Nexgrill Industries, Inc.
14050 Laurelwood Pl,
Chino, CA 91710

Please include a daytime phone number in your correspondence.