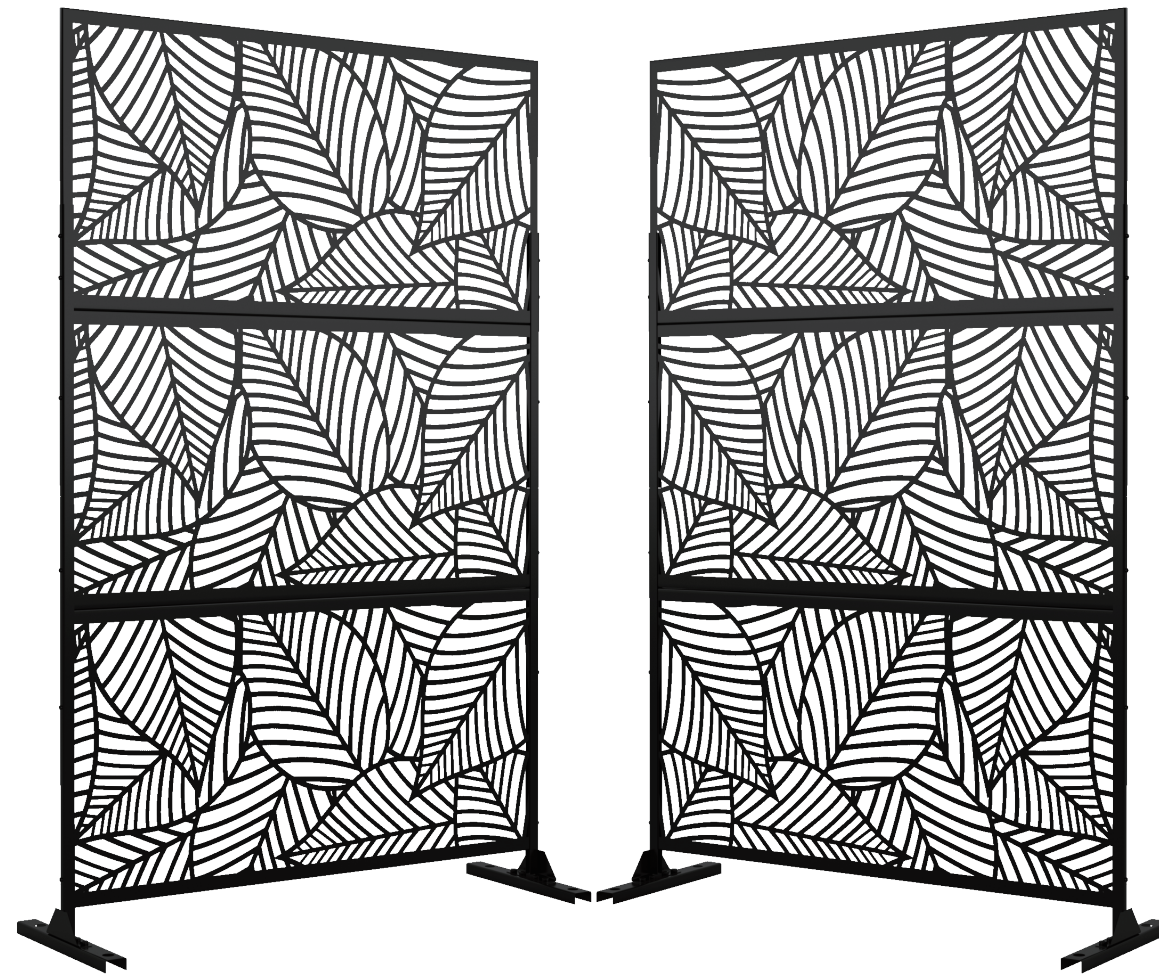


Outdoor Privacy Screen





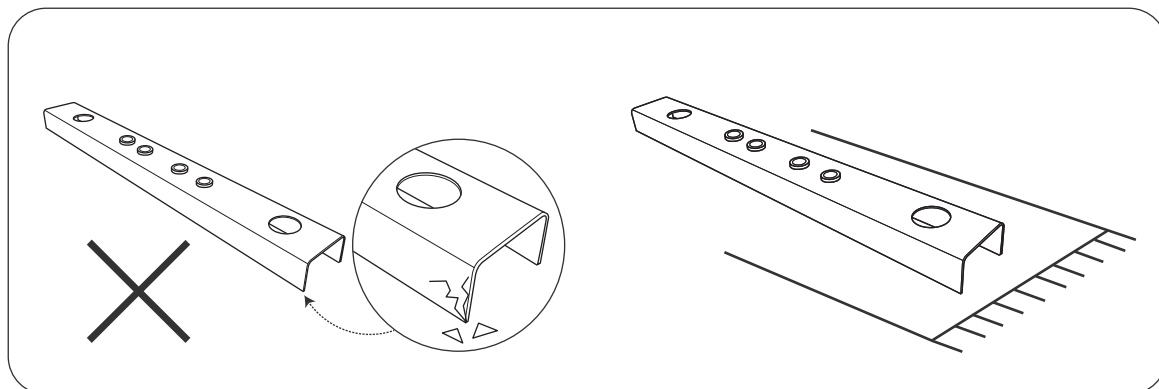
If the privacy screen will be used in a strong wind area, we highly recommend you using four Hex-Head Sleeve Anchors to fix the privacy screen on solid ground.

Before assembling, we recommend:

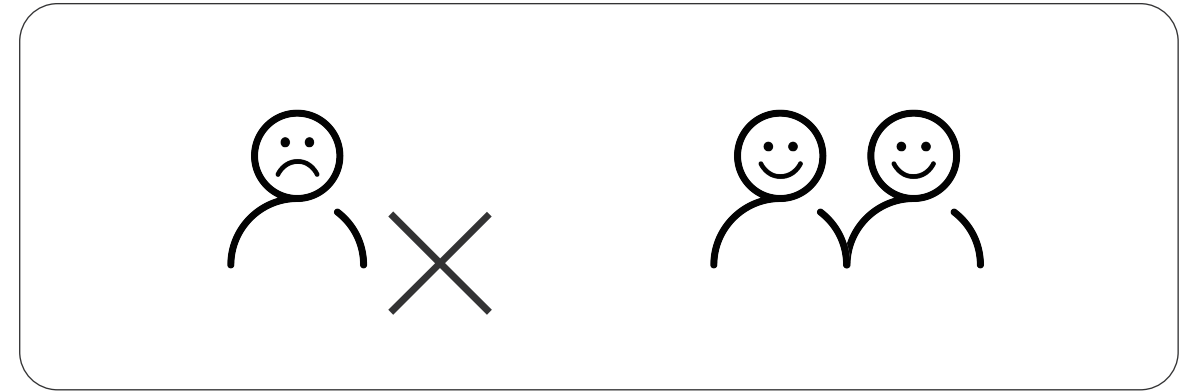
1. Wear Gloves.



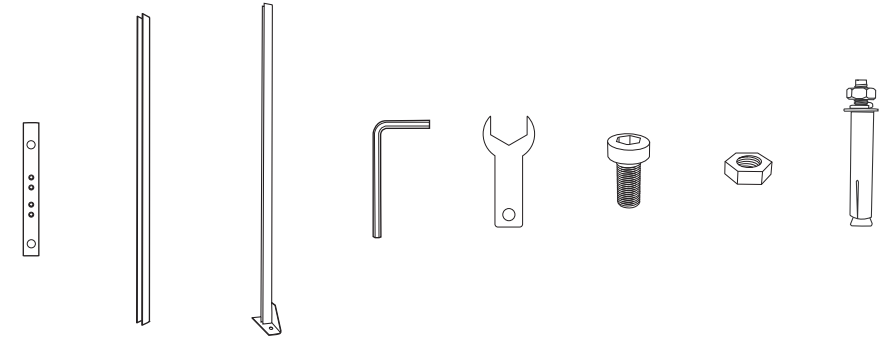
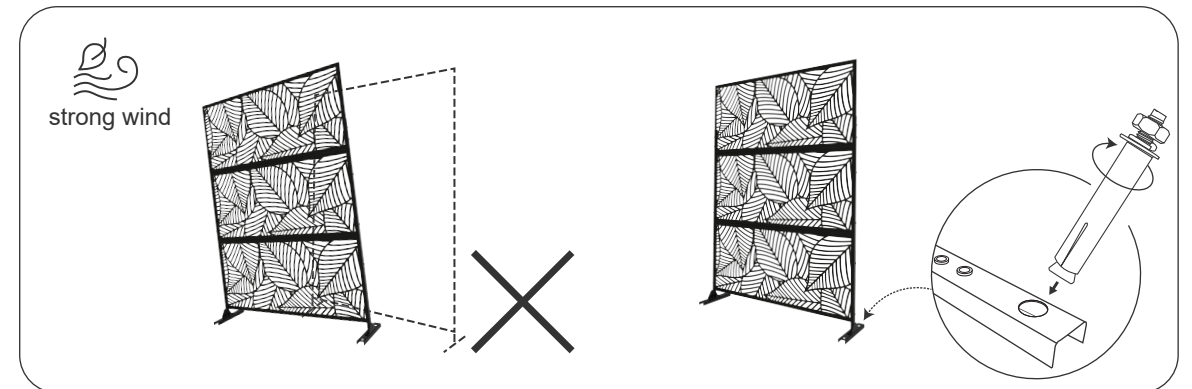
2. Don't assemble the privacy screen on a Hard Surface.



3. Ask for a Helping Hand.



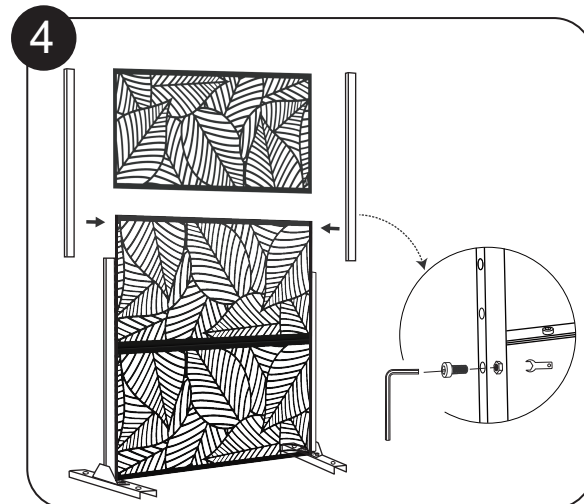
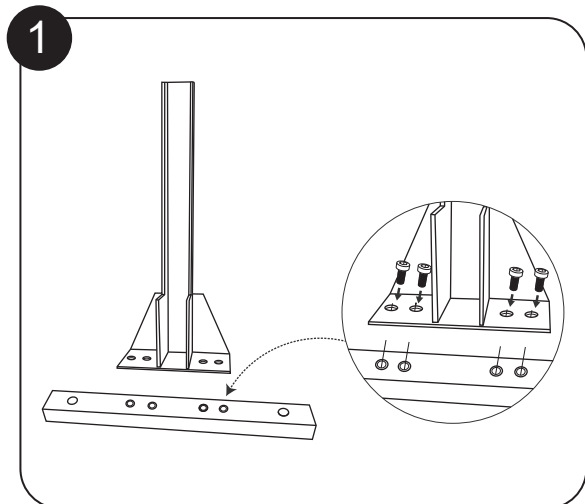
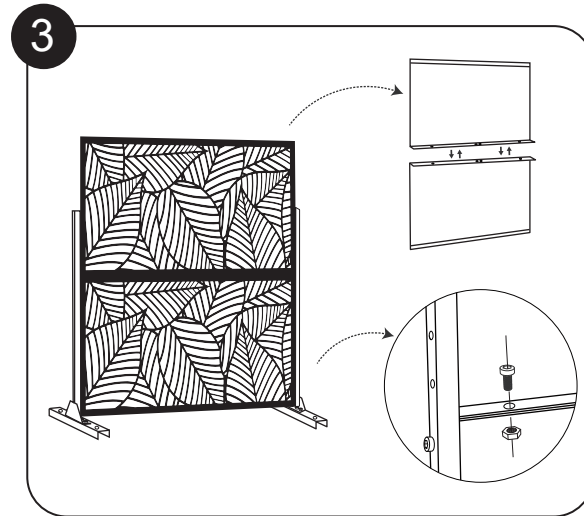
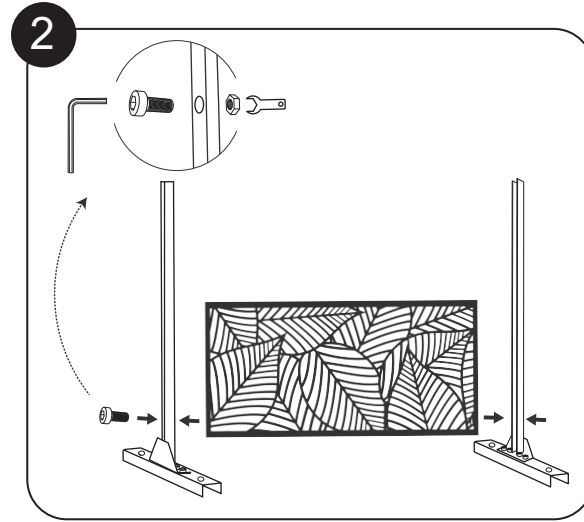
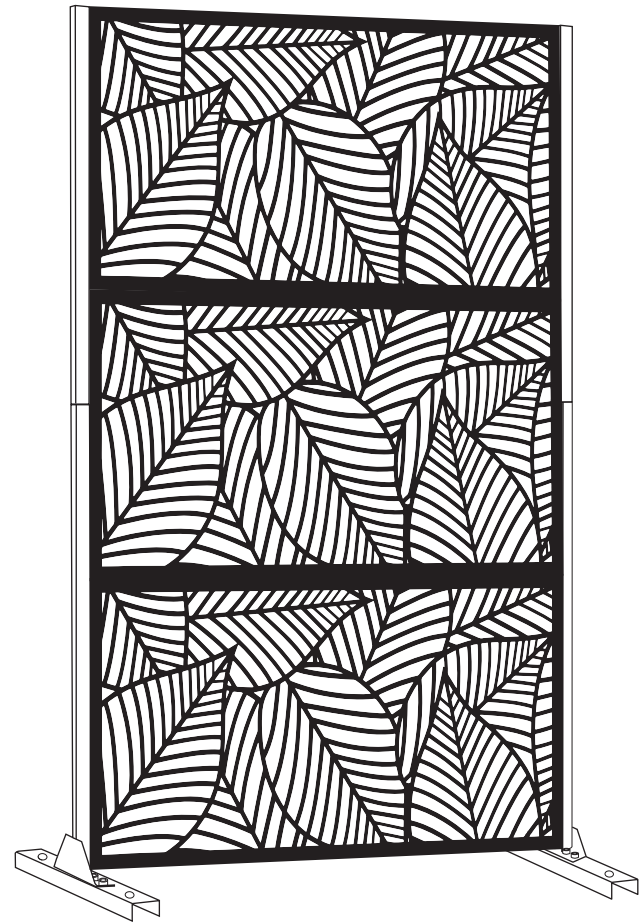
4. Use Hex-Head Sleeve Anchors to fix the privacy screen on solid ground if necessary.



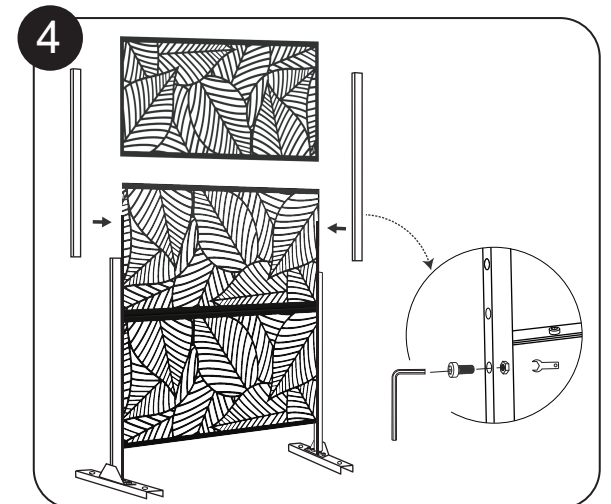
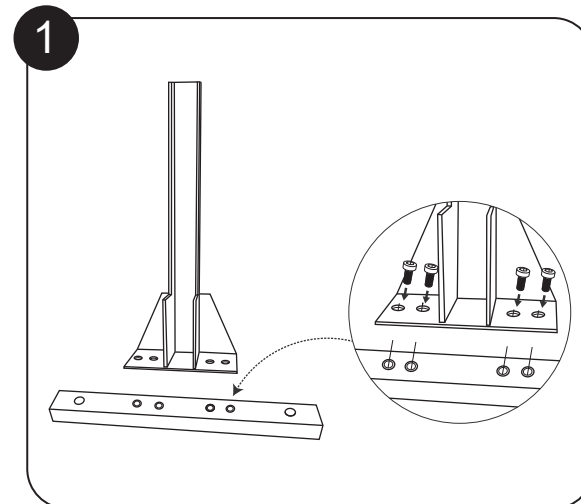
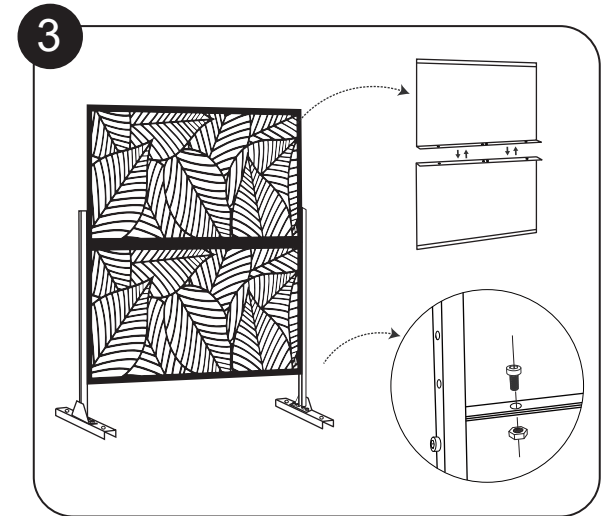
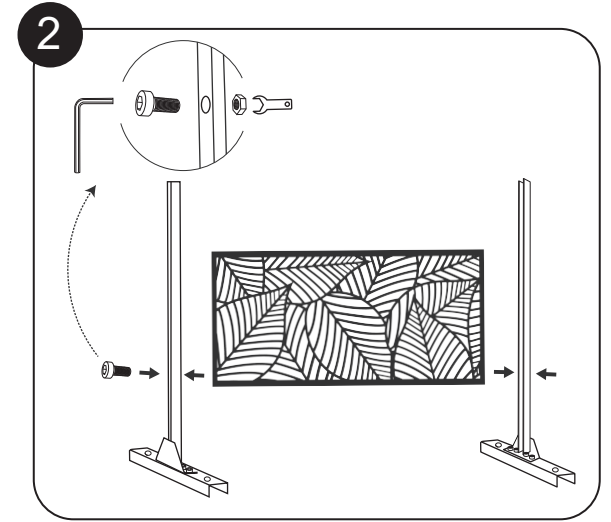
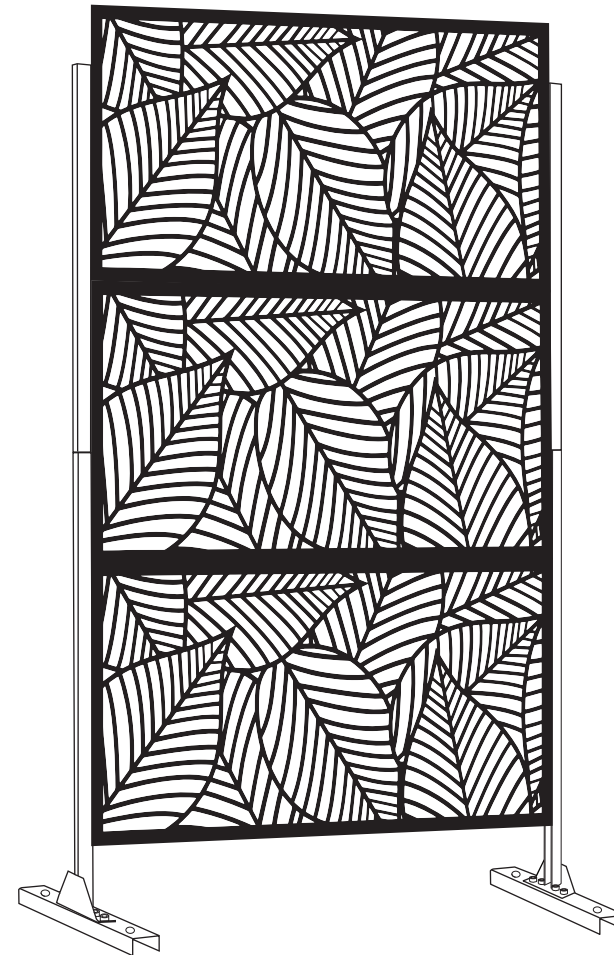
①	②	③	④	⑤	⑥	⑦	⑧	⑨
3pcs	2pcs	2pcs	2pcs	1 pcs	1pcs	42pcs (+6pcs)*	38pcs (+4pcs)*	4pcs

ps: "*" additional accessories

Horizontal Installation (71.8" in height)



Horizontal Installation (75.8" in height)



Vertical Installation

Single Panel & Stand

