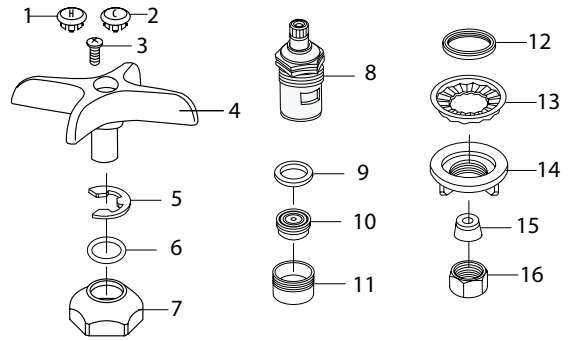


3210-150-CH-BC-Z REPLACEMENT PARTS LIST

For replacement parts, call our customer service department at 1-877-319-3757, 8 a.m. - 5 p.m., CST, Monday - Friday.

PART	DESCRIPTION	PART #
1	Index button - cold	RP 00471
2	Index button - hot	
3	Handle screw	
4	Handle	RP 01417
5	C-ring	
6	O-ring	
7	Bonnet	RP 01411
8	Ceramic cartridge	
9	Aerator washer	RP 01415-1.2
10	Aerator	
11	Aerator shell	
12	Rubber washer	RP 01418
13	Metal washer	
14	Mounting nut	
15	Cone washer	
16	Coupling nut	



LIMITED LIFETIME WARRANTY

The distributor warrants to the original consumer purchaser this product to be free from defects in material and workmanship under normal use in residential applications. At its option, the Company will provide repair parts or replace defective product when the product is used in accordance with the manufacturer's specifications.

The distributor provides a limited 5-year warranty on the finish of this product to the original purchaser. At its option, the distributor will provide repair parts or replace defective product when the product is used in accordance with the manufacturer's specifications. Use of mild abrasive, abrasive or chemical cleaners may damage the finish of the faucet. We recommend cleaning your faucet with a soft cloth, moistened with water. Damage resulting from the use of abrasive or chemical cleaners SHALL VOID THIS WARRANTY.

This warranty is not applicable to any products or parts of products where damage is caused by use of non-genuine parts; is due to installation error, product misuse, negligence or faulty maintenance; or where the product is not installed according to local building codes.

This warranty excludes labor charges or damage incurred during installation, repair or replacement, and any indirect, incidental or consequential damages, losses, injury or costs of any nature. This warranty is in lieu of and excludes all other warranties, conditions and guarantees, whether expressed or implied, including without restriction those of merchantability or fitness of use.

Liability under this warranty will not exceed the purchase price for the product claimed to be defective by the original consumer purchaser. Some states or provinces do not allow the exclusion or limitation of consequential damages so the above limitations or exclusions may not apply. This warranty gives you specific legal rights and you may also have other rights which vary from state to state, or province to province.

Inquiries regarding warranty claims can be directed to 1-877-319-3757, 8 a.m. - 5 p.m., CST, Monday - Friday.