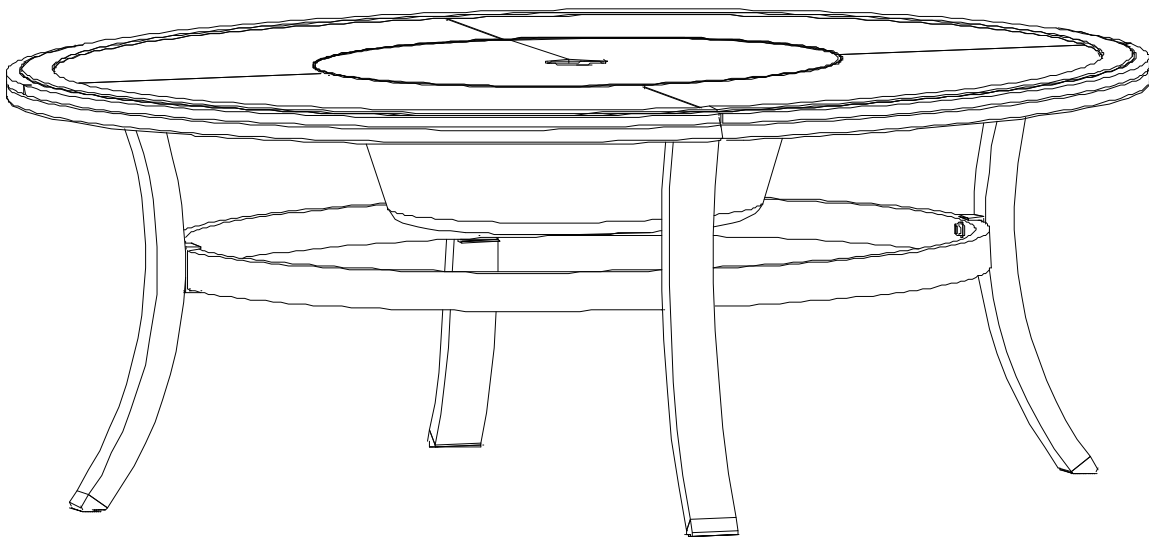


Item #1004 415 336
Model # 3022-CM4-FP



HAMPTON BAY[®]

USE AND CARE GUIDE




WHITFIELD ROUND FIREPIT STONE TOP



Before you begin >>>



3D-GUIDED INTERACTIVE ASSEMBLY INSTRUCTIONS CAN BE FOUND IN BILT[®]
DOWNLOAD THE **FREE** APP



Questions, problems, missing parts? Before returning to the store,
call Hampton Bay Customer Service
8 a.m. - 7 p.m., EST, Monday – Friday, 9 a.m. – 6 p.m., EST, Saturday

1-855-HD-HAMPTON

HAMPTONBAY.COM

THANK YOU

We appreciate the trust and confidence you have placed in Hampton Bay through the purchase of this firepit. We strive to continually create quality products designed to enhance your home. Visit us online to see our full line of products available for your home improvement needs. Thank you for choosing Hampton Bay!

Table of Contents

Table of Contents	2	Tools and hardware required	3
Important Safety Instructions	2	Hardware included	3
Save These Instructions	2	Pre-assembly	4
Read All Instructions Before Use	2	Assembly	5
Warranty	3	Operation	6
What is Covered	3	Tending the fire	6
What is Not Covered	3	Extinguishing the fire	6
Pre-assembly	3	Maintenance	7
Planning Assembly	3	Inspecting	7
		Cleaning and Storage	7

Important Safety Instructions

SAVE THESE INSTRUCTIONS



WARNING: This table was made for the explicit purpose of providing outdoor functions and is not to be used as a toy. This product is intended for normal outdoor use; however, the manufacturer recommends storing and / or covering this set when any formidable / severe weather is approaching.



WARNING: Do not locate this product near open flames. Do not use this product as a support. Do not shake, lean or climb on the product. Children under the age of 10, near the product, should be supervised by a competent adult at all times. This product is NOT intended for commercial use. Commercial use will void the warranty.

READ ALL INSTRUCTIONS BEFORE USE

To reduce the risk of injury to persons:

- Close supervision is necessary when this product is used by or near children, or disabled persons, if applicable.
- Use this furnishing only for its intended use as described in these instructions. Do not use attachments not recommended by the manufacturer.
- Please keep children out of the assembly area during assembly.
- This table is not intended to support an umbrella. Umbrella must have a suitable base or stand.



WARNING: Do not place heavy objects on the table.



WARNING: When not in use, secure the product in a cool and covered location.



WARNING: This table unit is heavy, and may require two adults for safe assembly.



CAUTION: Do not locate the product near any heat source.

Warranty

2 YEAR FRAME WARRANTY

WHAT IS COVERED

We warrant the frame to be free of manufacturing defects to the original purchaser for two years.


WHAT IS NOT COVERED


It remains the customer's responsibility for freight and packaging charges to and from our service center. This warranty does not cover commercial use, hardware, acts of nature, fire, freezing and abusive use. In addition, purchased parts are not covered under this warranty. We reserve the right to make substitutions with similar merchandise, if the model in question is no longer in production.

Contact the Customer Service Team at 1-855-HD-HAMPTON or visit HAMPTONBAY.COM.

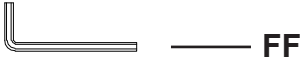
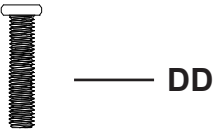
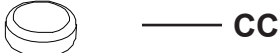
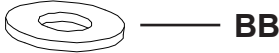
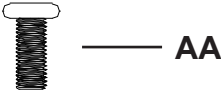
Pre-assembly

PLANNING ASSEMBLY


 **NOTE:** Read all instructions before assembly. To avoid damaging this product, assemble it on a soft, non-abrasive surface such as carpet or cardboard.

 **NOTE:** More than one person may be required to assemble this product.

TOOLS AND HARDWARE REQUIRED



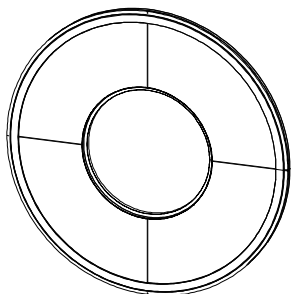
HARDWARE INCLUDED

 **NOTE:** Hardware not shown to actual size.

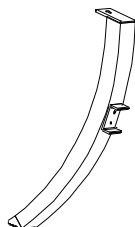
Part	Description	Quantity
AA	Short bolt	4
BB	Spring washer	4
CC	Bolt cap	8
DD	Long bolt	8
EE	Small round gasket	8
FF	Allen key	1

Pre-assembly (continued)

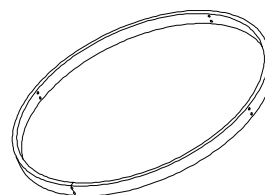
PACKAGE CONTENTS



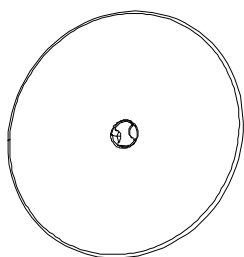
A



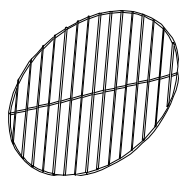
B



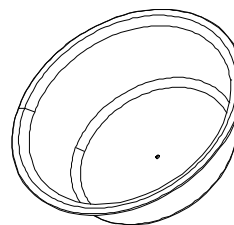
C



D



E

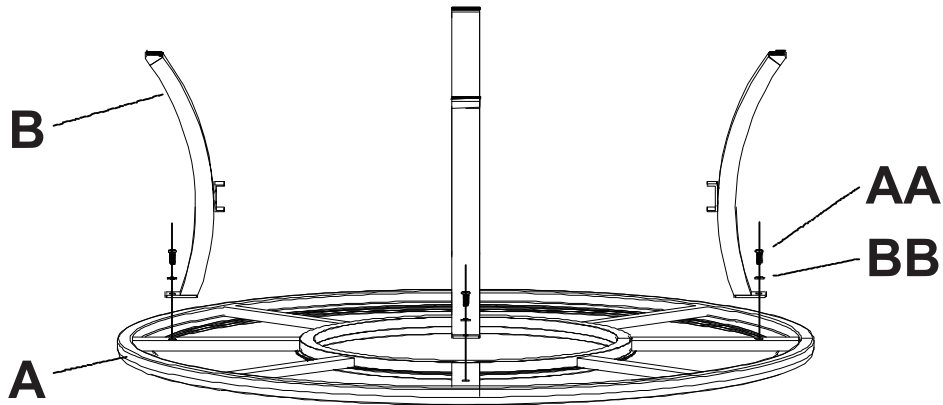


F

Part	Description	Quantity
A	Table top	1
B	Table legs	4
C	Leg connector	1
D	Lid	1
E	Log grid	1
F	Fire bowl	1

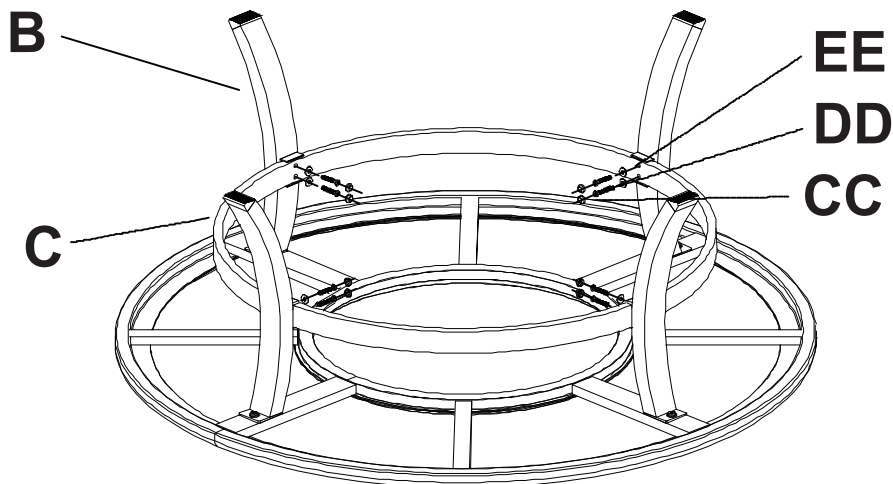
1 Attaching the table legs to the table top

- Place the table top (A) upside down on a soft surface.
- Attach the table legs (B) to the table top (A) using short bolts (AA) and spring washers (BB).



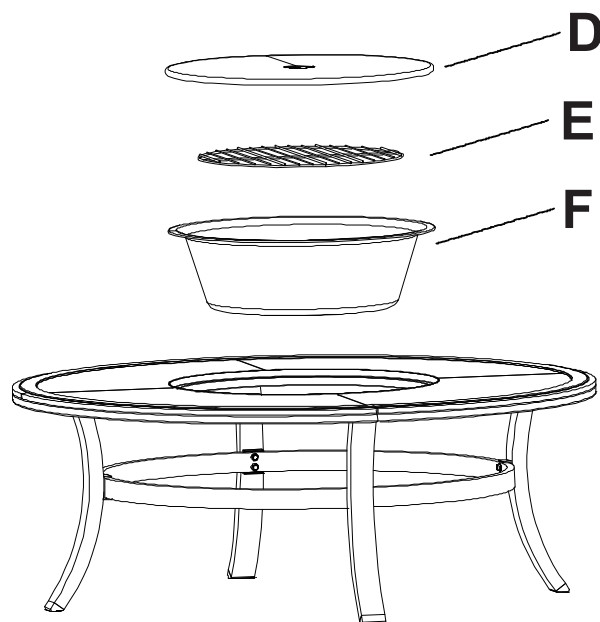
2 Attaching the leg connector to the table legs

- Attach the leg connector (C) to the table legs (B) using long bolt (DD).



3 Tightening the bolts

- Once all of the bolts are in place, fully tighten the bolts.
- Turn the table right side up.
- Place all parts on the table top (A).
- Ensure that the table is tightly assembled and stable before use.



Operation

TENDING THE FIRE

- DO NOT add gasoline, kerosene, diesel fuel, lighter fluid or alcohol to relight or enhance an existing fire.
- Use a match to light the kindling or fire-starter.
- Wait until glowing coals have developed before adding any additional wood. If additional wood is required, place the wood on top of the coals, taking care not to shift the ashes.

EXTINGUISHING THE FIRE

- Let the fire burn itself out.
- DO NOT use water to extinguish the fire. Such action is dangerous and can cause irreversible damage to the fire pit.

Maintenance

INSPECTING

- This fire pit should be inspected on a regular basis to ensure product safety and longer product life. **DO NOT** attempt to inspect this fire pit until the fire is **COMPLETELY** out and the fire pit has **COMPLETELY** cooled. Check components for any signs of damage or rust.
- If damage to any component is detected, **DO NOT** use the fire pit until repairs are properly performed.

Cleaning and Storage



NOTE: This fire pit should be cleaned on a regular basis to promote safer experiences and longer product life. After repeated use, a slight discoloration of the finish may occur. **DO NOT** attempt to clean this fire pit until the fire is **COMPLETELY** out and the fire pit has **COMPLETELY** cooled. **DO NOT** use oven cleaner or abrasive cleaners as they will damage this product. **DO NOT** clean any part of this fire pit in a self-cleaning oven as this may damage the finish.

- Wipe exterior surfaces with a mild dishwashing detergent or baking soda.
- For stubborn surfaces, use a citrus-based degreaser and a nylon scrubbing brush.
- Rinse and clean with water.
- Remove built-up residue from components with a chimney cleaning product.
- **DO NOT** move or store this fire pit until the fire is **COMPLETELY** out and the fire pit is cool to the touch.
- Once the fire is out, the coals have completely cooled and the fire pit can be safely handled, remove and properly dispose of the ashes.
- Store the fire pit in a clean and dry location to maximize product life.
- Store the fire pit assembled in a safe location away from children and pets.



WARNING: FUELS USED IN WOOD OR CHARCOAL BURNING APPLIANCES, AND THE PRODUCTS OF COMBUSTION OF SUCH FUELS, CAN EXPOSE YOU TO CHEMICALS INCLUDING CARBON BLACK, WHICH IS KNOWN TO THE STATE OF CALIFORNIA TO CAUSE CANCER, AND CARBON MONOXIDE, WHICH IS KNOWN TO THE STATE OF CALIFORNIA TO CAUSE BIRTH DEFECTS OR OTHER REPRODUCTIVE HARM. For more information go to: www.P65Warnings.ca.gov.

HAMPTON BAY[®]

Questions, problems, missing parts? Before returning to the store,
call Hampton Bay Customer Service
8 a.m. – 7 p.m., EST, Monday – Friday, 9 a.m. – 6 p.m., EST, Saturday

1-855-HD-HAMPTON

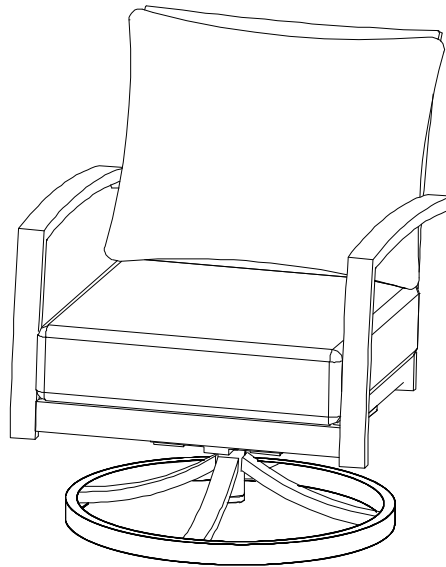
HAMPTONBAY.COM

Retain this manual for future use.

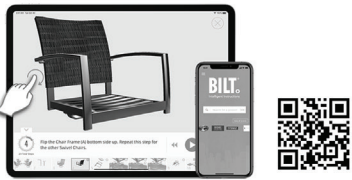
HAMPTON BAY®

USE AND CARE GUIDE




WHITFIELD 2PC ALL MOTION CHAIRS



Before you begin >>>



3D-GUIDED INTERACTIVE ASSEMBLY INSTRUCTIONS CAN BE FOUND IN BILT®
DOWNLOAD THE **FREE** APP



Questions, problems, missing parts? Before returning to the store,
call Hampton Bay Customer Service
8 a.m. - 7 p.m., EST, Monday – Friday, 9 a.m. – 6 p.m., EST, Saturday

1-855-HD-HAMPTON

HAMPTONBAY.COM

THANK YOU

We appreciate the trust and confidence you have placed in Hampton Bay through the purchase of this chair. We strive to continually create quality products designed to enhance your home. Visit us online to see our full line of products available for your home improvement needs. Thank you for choosing Hampton Bay!

Table of Contents

Table of Contents	2	Tools and hardware required	3
Important safety instructions	2	Hardware included	3
Save These Instructions	2	Pre-assembly	4
Read All Instructions Before Use	2	Assembly	5
Warranty	3	Car and Cleaning	7
What is Covered	3		
What is Not Covered	3		
Pre-assembly	3		
Planning Assembly	3		

Important Safety Instructions

SAVE THESE INSTRUCTIONS



WARNING: This chair was made for the explicit purpose of providing outdoor functions and is not to be used as a toy. This product is intended for normal outdoor use; however, the manufacturer recommends storing and / or covering this chair when any formidable / severe weather is approaching.



WARNING: Do not locate this product near open flames. Do not use this product as a support. Do not shake, lean or climb on the product. Children under the age of 10, near the product, should be supervised by a competent adult at all times. This product is NOT intended for commercial use. Commercial use will void the warranty.

READ ALL INSTRUCTIONS BEFORE USE



WARNING: Weight limit for the chairs is 250 lbs (113.39 kg) for each seat.



CAUTION: Do not locate the product near any heat source.



WARNING: This swivel chair unit is heavy, and may require two adults for safe assembly.



CAUTION: When not in use, secure the product in a cool and covered location.



WARNING: Do not place heavy objects on the chair.

Warranty

2 YEAR FRAME WARRANTY

WHAT IS COVERED

We warrant the frame to be free of manufacturing defects to the original purchaser for two years.

WHAT IS NOT COVERED

It remains the customer's responsibility for freight and packaging charges to and from our service center. This warranty does not cover commercial use, hardware, acts of nature, fire, freezing and abusive use. In addition, purchased parts are not covered under this warranty. We reserve the right to make substitutions with similar merchandise, if the model in question is no longer in production.

Contact the Customer Service Team at 1-855-HD-HAMPTON or visit HAMPTONBAY.COM.

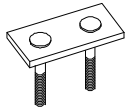
Pre-assembly

PLANNING ASSEMBLY

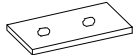


NOTE: Read all instructions before assembly. To avoid damaging this product, assemble it on a soft, non-abrasive surface such as carpet or cardboard.

TOOLS AND HARDWARE REQUIRED



— AA



— BB



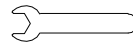
— CC



— DD



— EE



— FF

HARDWARE INCLUDED

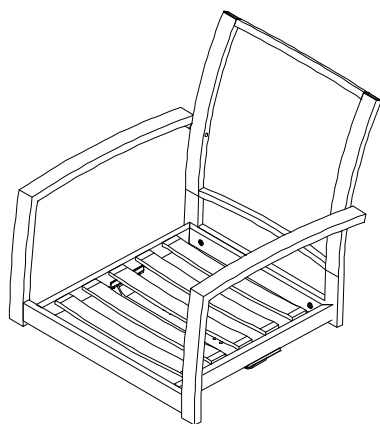


NOTE: Hardware not shown to actual size.

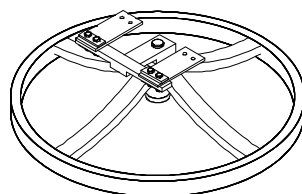
Part	Description	Quantity
AA	Long bolt	4
BB	Rectangle gasket	4
CC	Round gasket	8
DD	Nut	8
EE	Bolt cover	8
FF	Wrench	1

Pre-assembly (continued)

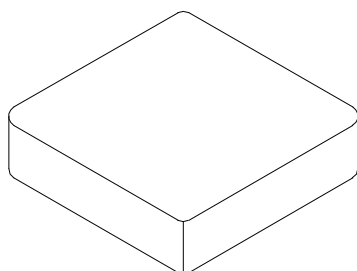
PACKAGE CONTENTS



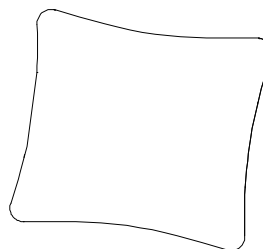
A



B



C

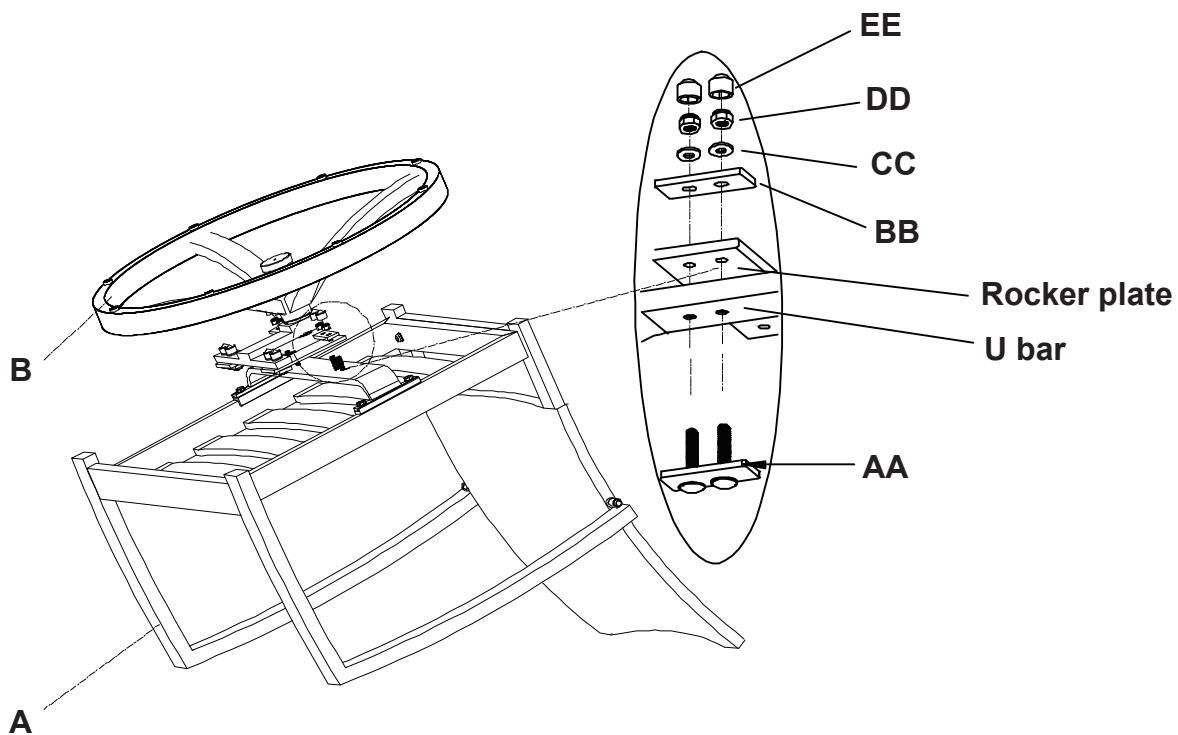


D

Part	Description	Quantity
A	Chair frame	2
B	Base	2
C	Seat cushion	2
D	Back cushion	2

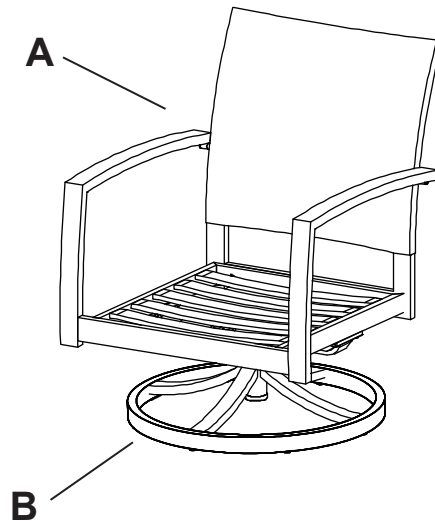
1 Connecting the support bar to the chair bucket

- Place the chair frame (A) on a flat, solid surface.
- Set the swivel base (B) on the chair frame (A). Guide two long bolts (AA) through the holes in the U bar, and through the holes in the rocker plate. Place the rectangle gasket (BB) add a round gasket (CC) and a nut (DD) to the bottom of each long bolt (AA). Hand tighten the nuts (DD) 3-4 revolutions only.
- Repeat the same procedure on the other side of the rocker assembly.
- Fully tighten all bolts including screws preassembled by factory. Cover all bolts with bolt covers (EE).



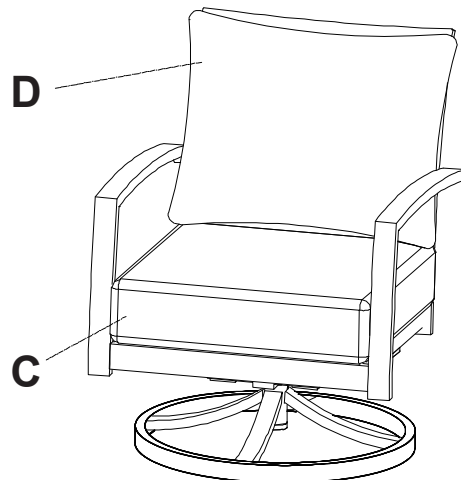
2 Tightening all bolts and connecting the support bar to the swivel base

- Once all bolts are in place, fully tighten all bolts, including screws preassembled by the factory.
- Insert the chair frame (A) into the swivel base (B).



3 Attaching the cushion and checking the chair

- Add seat cushion (C) and back cushion (D).
- Ensure the chair is tightly assembled and stable before use.



NOTE: Repeat steps 1-3 for the second chair.

Care and Cleaning

- For best results, clean the frame and fabric with a damp cloth and dry thoroughly. This will help prevent mildew by removing dirt particles that may accumulate.

- Do not clean with abrasive materials, bleach, or solvents.

- Store the chair in a dry, sheltered place when not in use.

- Keep the chair away from fire, extreme heat, freezing conditions, and inclement weather such as rain, hail, sleet, snow, or wind.



WARNING: FUELS USED IN WOOD OR CHARCOAL BURNING APPLIANCES, AND THE PRODUCTS OF COMBUSTION OF SUCH FUELS, CAN EXPOSE YOU TO CHEMICALS INCLUDING CARBON BLACK, WHICH IS KNOWN TO THE STATE OF CALIFORNIA TO CAUSE CANCER, AND CARBON MONOXIDE, WHICH IS KNOWN TO THE STATE OF CALIFORNIA TO CAUSE BIRTH DEFECTS OR OTHER REPRODUCTIVE HARM. For more information go to: www.P65Warnings.ca.gov.

HAMPTON BAY[®]

Questions, problems, missing parts? Before returning to the store,
call Hampton Bay Customer Service
8 a.m. – 7 p.m., EST, Monday – Friday, 9 a.m. – 6 p.m., EST, Saturday

1-855-HD-HAMPTON

HAMPTONBAY.COM

Retain this manual for future use.