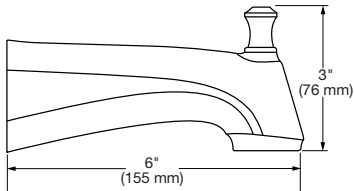
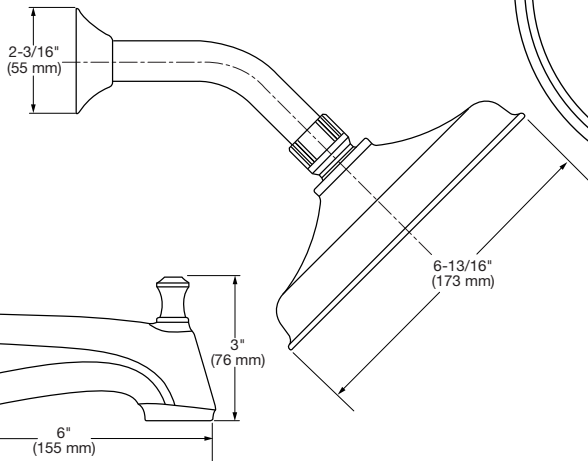
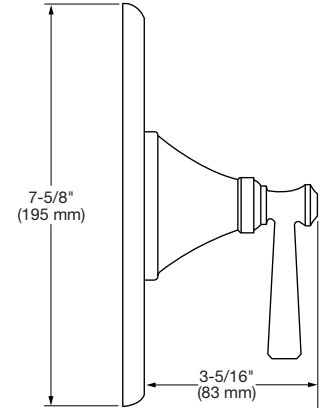
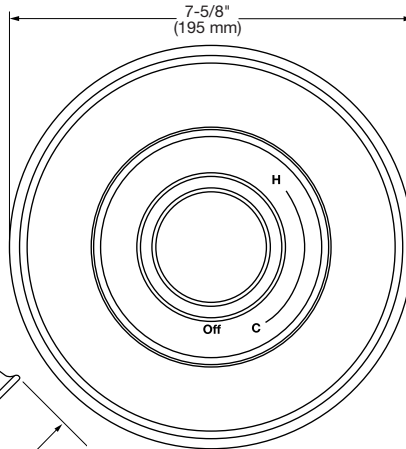


SHOWERHEAD



MODEL NUMBER:

- 7417502.002 Chrome finish.
- 7417502.295 Brushed Nickel finish.
- 7417502.278 Legacy Bronze finish.
- 7417502.243 Matte Black finish.



GENERAL DESCRIPTION:

**Cast DZR Brass Valve Body:** Durable. Ideal material for prolonged contact with water.

**Flat Back:** Allows valve to be mounted flush against cross brace for easy and solid installation.

**Exclusive Plaster Guard:** Plaster guard is designed to protect valve and act as a guide during installation. It can serve as mounting support for thin-wall installations.

**Pressure balancing cartridge:** maintains constant output temperature in response to changes in relative hot and cold supply pressures. 1/2" female I.P.S. inlets/outlets. Easy clean showerhead has 1.8 gpm / 6.8 L/min flow restrictor. Metal lever handle. I.P.S. diverter tub spout.

FLASH PRESSURE BALANCE VALVE PRODUCT FEATURES:

**Thermal shock protection:**  
Fast-acting pressure balance technology provides anti-scald protection.

**Useful shower temperature:**  
Gives users more range to fine-tune their ideal temperature preferences.

**Longevity:**  
Outstanding performance in durability and handling due to Double Ceramic Technology.

Flash® Pressure Balance Valve



**Anti-Scald Protection**  
Limits the maximum hot water temperature to reduce the risk of scalding



**More Comfort Levels**  
Gives users wider range to fine-tune ideal temperature preferences



**Drip-Free For Life**  
Double ceramic disc valves for smooth handling and drip-free performance

SUGGESTED SPECIFICATION:

Bath/shower fitting shall feature 1-function showerhead with Max. 1.8 gpm (6.8 L/min) Max flow rate. Shall include Flash Pressure Balance Valve. Fitting shall be American Standard Model # 7417502.002, 7417502.295, 7417502.278, 7417502.243.

**CODES AND STANDARDS**

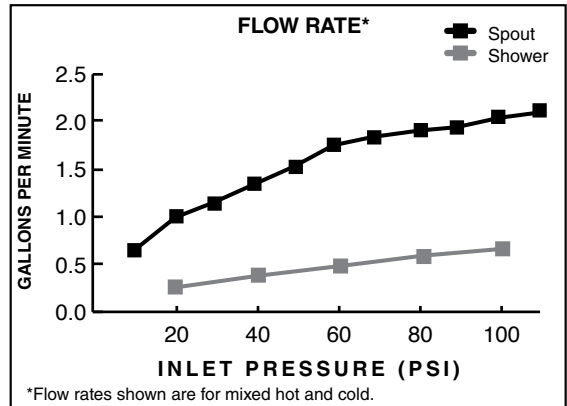
These products meet or exceed the following codes and standards:

**ASME A112.18.1**

**CSA B125.1**

**ASSE 1016/ASME A112.1016/CSA**

**B125.16**



Product Number	Description
7417502.002	1-Handle Tub/Shower. Metal lever handle. Ceramic Disc Valve. 1-Function showerhead. Includes Flash Pressure Balance Valve. Chrome finish.
7417502.295	1-Handle Tub/Shower. Metal lever handle. Ceramic Disc Valve. 1-Function showerhead. Includes Flash Pressure Balance Valve. Brushed Nickel finish.
7417502.278	1-Handle Tub/Shower. Metal lever handle. Ceramic Disc Valve. 1-Function showerhead. Includes Flash Pressure Balance Valve. Legacy Bronze finish.
7417502.243	1-Handle Tub/Shower. Metal lever handle. Ceramic Disc Valve. 1-Function showerhead. Includes Flash Pressure Balance Valve. Matte Black finish.

**NOTE: TO AVOID SHOWER RISE OR OTHER RELATED ISSUES, DO NOT USE PEX CONNECTIONS ON ANY OF THE OUTLETS.**