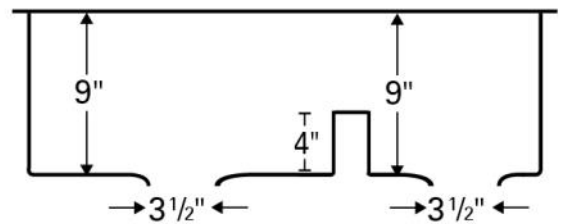
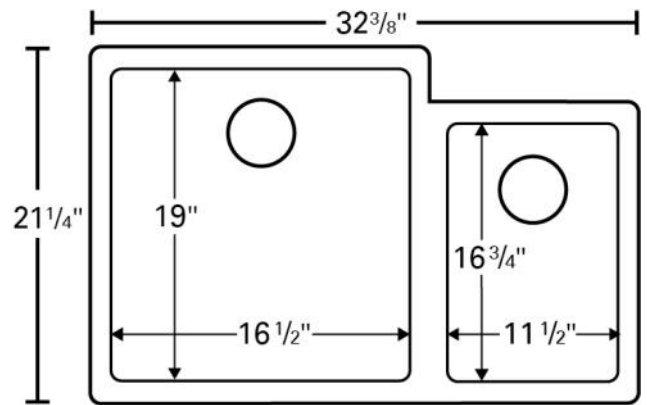


Karran quartz sinks are manufactured from durable quartz composite material that makes them incredibly tough and resilient to even the toughest daily kitchen tasks. They comprise 80% natural quartz material and 20% high performance acrylic resins. These materials provide high scratch, stain, chip and heat resistance. This model is designed to undermount in granite, quartz and solid surface countertops, and is available in a selection of 6 elegant color choices.

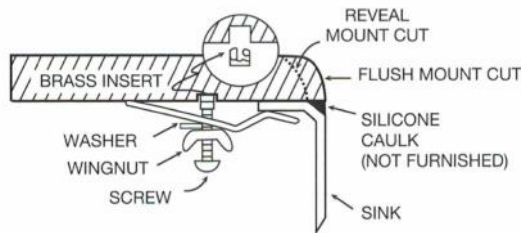
Series:	Quartz QU Series
Material:	80% quartz / 20% acrylic resin
Installation Type:	Undermount
Configuration:	Large/small bowl
Overall dimensions:	32-3/8" x 21-1/4"
Left bowl dimensions:	16-1/2" x 19" x 9"
Right bowl dimensions:	11-1/2" x 16-3/4" x 9"
Drain size:	3-1/2"
Min. cabinet size:	36"
Template included:	Yes
Clips included:	Yes
DXF file available:	www.karran.com
Finishes / Colors:	White, Bisque, Brown, Black, Grey, Concrete



Sinks are listed with IAPMO and meet the requirements of the Uniform Plumbing Code, International Plumbing Code and the National Plumbing Code of Canada.



INSTALLATION METHOD



DXF File	Care Guide	Warranty
----------	------------	----------

PROJECT INFORMATION

PROJECT: _____

CONTACT: _____

DATE: _____

NOTES: _____

APPROVAL:

OPTIONAL ACCESSORIES

MODELS	COLOR	STRAINER	FLANGE	GRIDS
• QU-811-WH	White	QBSWH	QDFWH	GR-6015, GR-6016
• QU-811-BI	Bisque	QBSBI	QDFBI	GR-6015, GR-6016
• QU-811-BL	Black	QBSBL	QDFBL	GR-6015, GR-6016
• QU-811-BR	Brown	QBSBR	QDFBR	GR-6015, GR-6016
• QU-811-CN	Concrete	QBSCN	QDFCN	GR-6015, GR-6016
• QU-811-GR	Grey	QBGR	QDFGR	GR-6015, GR-6016

We reserve the right to update product specifications without notice. Please visit karran.com for the most current specification sheets. All dimensions are accurate to 1/4". REV 05-2020