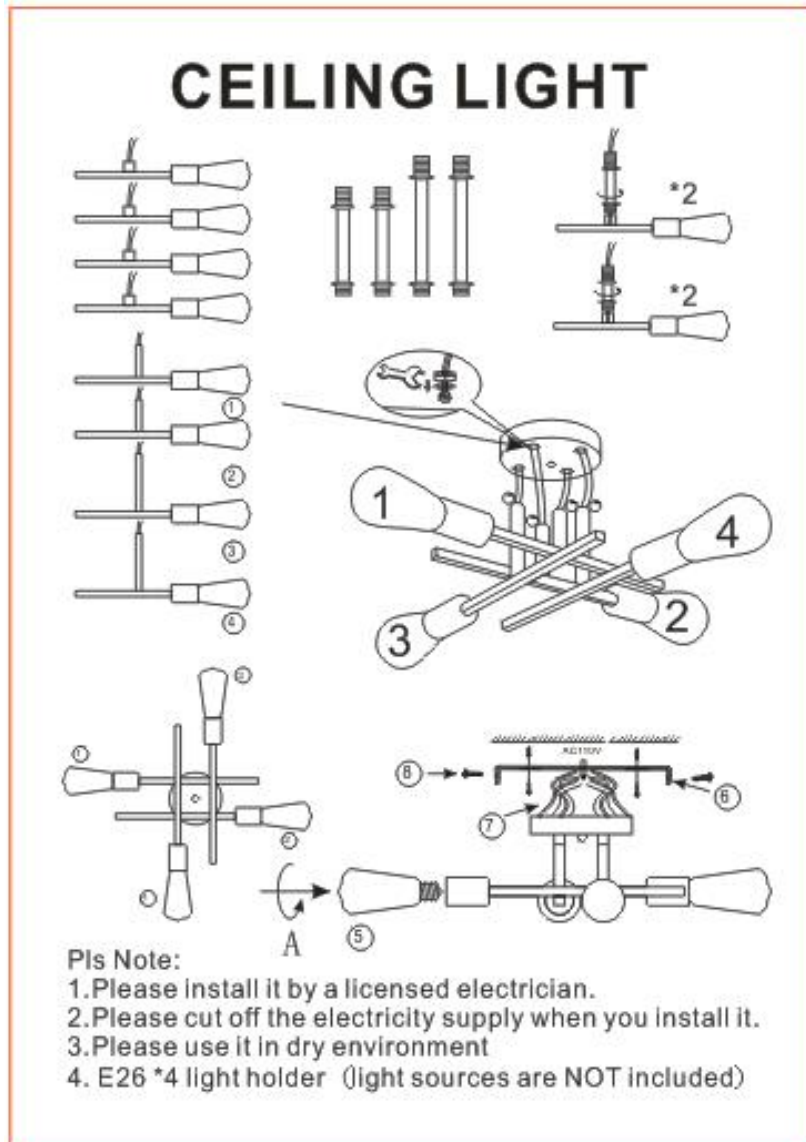


Installation Guide



Pls Note:1.Please install it by a licensed electrician.2.Please cut off the electricity supply when you install it.3Please use it in dry environment

4. E26*4 light holder (light sources are NOTincluded)

Warm Tips

-Please install it by a licensed electrician.

-Please make sure you have cut off the electricity supply before installation.

-Please pull out the copper piece slightly which is located in the bulb socket to make sure

a great bulb adopted if lamp not work after powering on.

-This semi flush light fixture can be dimmable with dimmable bulb & compatible switch.