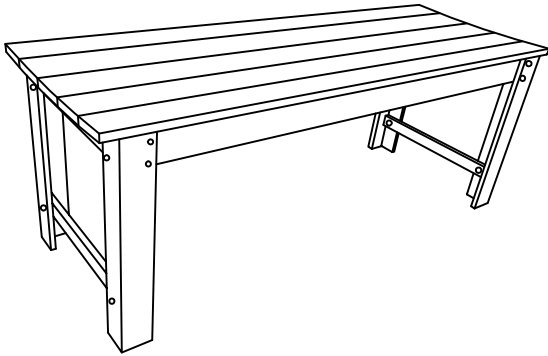


Assembly Instructions



<p>A (1pc)</p>	<p>B (2pcs)</p>	<p>C (2pcs)</p>	<p>D (2pcs)</p>
<p>① 16 sets</p> <p>6X45mm</p>	<p>② 4 sets</p> <p>6X40mm</p>	<p>TOOL</p> <p>M10</p>	

Note: Do not tighten all screws until last step

<p>1</p> <p>B=2PCS C=2PCS D=2PCS</p> <p>②=4SETS</p>	<p>2</p> <p>A=1PC</p> <p>①=8SETS</p>
<p>3</p> <p>①=8SETS</p>	<p>4</p>