

UNITED STATES STOVE CO

EST^d 1869

80619 IGNITER



Caution! HOT WHILE IN OPERATION. Allow the unit to thoroughly cool before servicing.

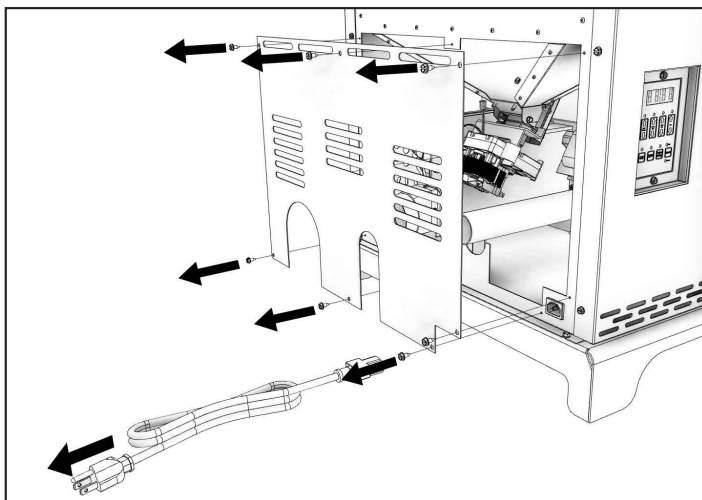
- For your safety, follow the installation instructions. If this heater is not properly installed, a fire may result. Contact local building or fire officials about restrictions and installation inspection requirements in your area.

REQUIRED TOOLS

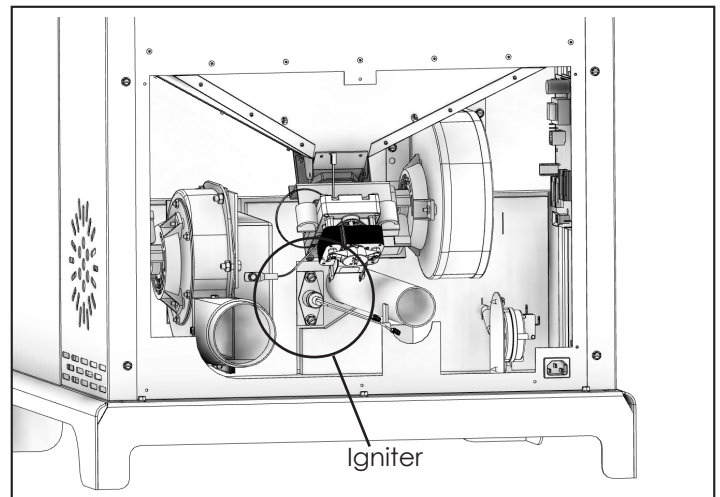
- #2 Phillips Screwdriver (or depending on your unit a 5/16" socket)
- 3/8" Wrench / Socket
- 1/8" Allen Wrench

IGNITER REPLACEMENT

1. Unplug your stove.
2. Using a #2 phillips screwdriver (or depending on your unit a 5/16" socket), remove the screws that are securing the back panel to the stove. Once the screws are removed the back panel can be easily removed from the stove (set screws aside they will be needed for the following steps).



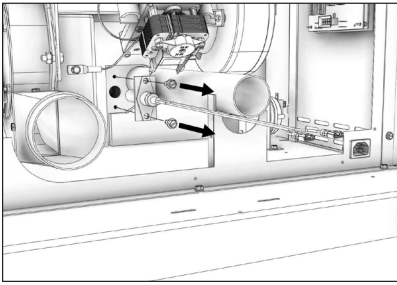
3. The igniter is located in the back center of the stove.



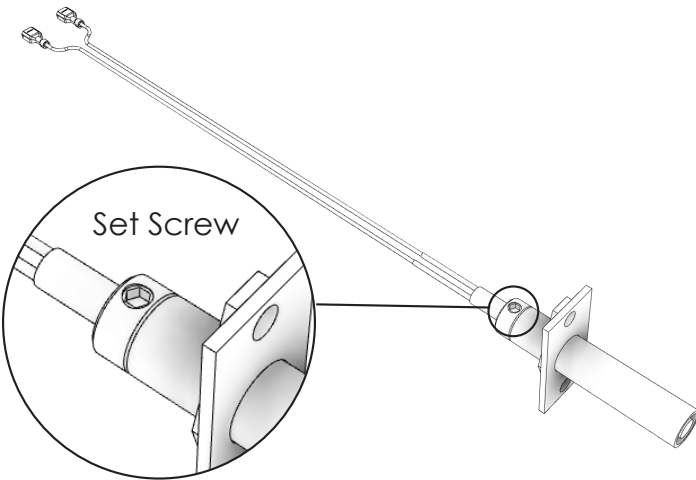
4. Disconnect the wiring leads connecting the igniter to the wiring harness.



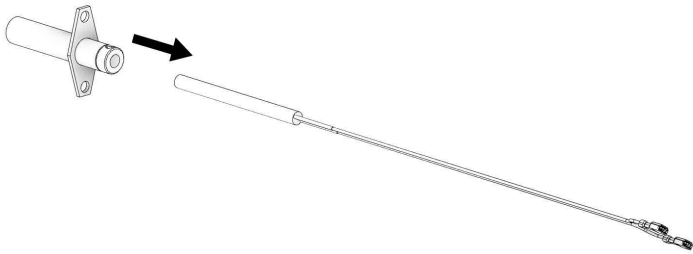
5. Use a 3/8" wrench / socket to remove the two bolts on either side of the igniter housing. The igniter housing can now be removed from the stove.



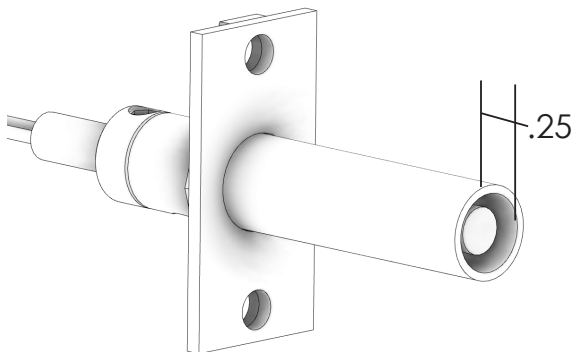
6. Use a 1/8" allen wrench to loosen the set screw while holding the igniter in place in the igniter housing.



7. Remove the igniter from the igniter housing.



8. Slide the new igniter into the igniter housing. Leave approximately 1/4" between the end of the igniter and the igniter housing.



9. Tighten the set screw.



10. Replace the old gasket with the new gasket that is included with this kit. Slide the igniter housing into its original position in the back of the stove. Insert and tighten the two bolts that were previously removed.



11. Reconnect the two wiring leads back into the wiring harness.