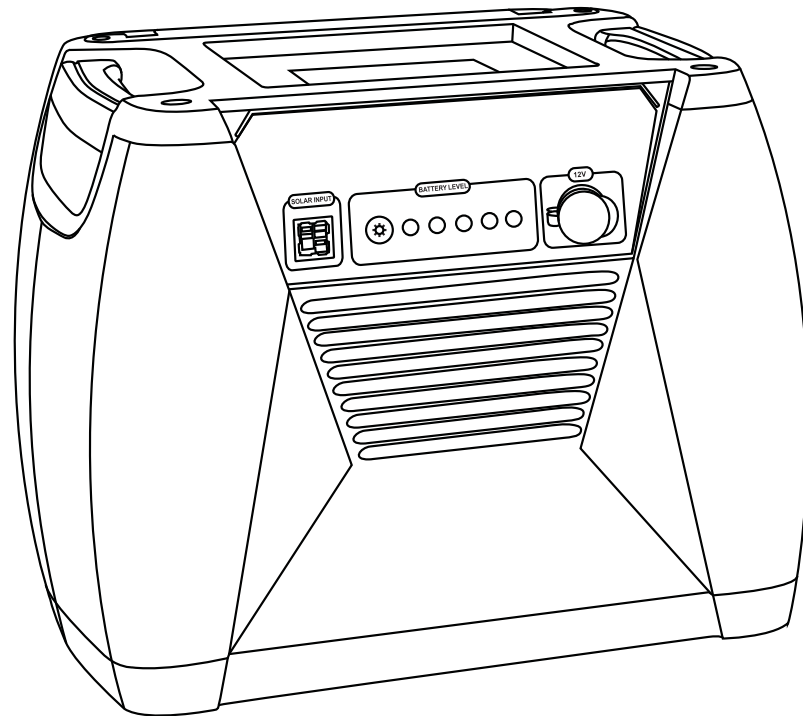


Nature's Generator Power Pod User Manual



Nature's Generator Power Pod

Contents

Important Safety Instructions	1
- Warning	1
- Caution	2
Introduction	3
- Unpacking Your Nature's Generator Power Pod	3
- Get to Know Your Nature's Generator Power Pod	4
Using Your Nature's Generator Power Pod	6
- How to Recharge Your Nature's Generator Power Pod	6
- How to Install Your Nature's Generator Power Pod on Top of Nature's Generator	7
- How to Connect Your Nature's Generator Power Pod to the Nature's Generator	14
- How to Maintain and Store Your Nature's Generator Power Pod	14
Troubleshooting	14
Technical Specifications	15
Limited Warranty	16
ESPAÑOL	18

Important Safety Instructions

1. Read these instructions.
2. Keep these instructions.
3. Take note of all warnings.
4. Follow all instructions.
5. Do not use this apparatus near water.
6. Do not block any ventilation openings.
7. Do not use near flammable gases or fumes or other apparatus that produce a large amount of heat.
8. Only use attachments/accessories specified by the manufacturer.
9. Use only with the cart specified by the manufacturer, or sold with the apparatus. When a cart is used, use caution when moving the cart/apparatus combination to avoid injury from tip-over.
10. Refer all servicing to qualified service personnel. Servicing is required when the apparatus has been damaged in any way, such as power-supply cable or plug is damaged, liquid has been spilled or objects have fallen into the apparatus, the apparatus has been exposed to rain or moisture, does not operate normally, or has been dropped.
11. The apparatus should not be exposed to dripping or splashing, and no objects filled with liquids, such as vases, should be placed on the apparatus.

Warning

Explosion hazard

Do not burn or incinerate this item. This item may explode, causing personal injury or damage. Do not use near flammable gases or fumes or other apparatus that produces large amounts of heat.

Energy and burn hazard

Nature's Generator Power Pod has a sealed lead acid battery, which can present a risk of burn from high current because of short-circuit.

Replacement parts

When replacement parts are required, make sure that the service technician uses replacement parts specified by the manufacturer that have the same characteristics as the original part. Unauthorized substitutions may result in fire, electric shock, personal injury, or other hazards.

Safety check

After completing any service or repair to this device, ask the service technician to perform routine safety checks to determine that your Nature's Generator Power Pod is in correct operating condition.

Servicing

These servicing instructions are for use by qualified service personnel only. To reduce the risk of electric shock, do not perform any servicing other than that contained in the operating instructions unless you are qualified to do so.

Caution

Damage requiring service

Stop using the Nature's Generator Power Pod and refer servicing to qualified service personnel under the following conditions:

- If liquid has been spilled or objects have fallen into your Nature's Generator Power Pod.
- If your Nature's Generator Power Pod has been exposed to rain or water.
- If your Nature's Generator Power Pod has been dropped or damaged in any way.
- When your Nature's Generator Power Pod exhibits a distinct change in performance.

Cold weather

Cold temperatures can impact Nature's Generator Power Pod performance. If you are in area that will be consistency below freezing, we recommend keeping your Nature's Generator Power Pod in an insulated location and connected to a solar panel.

Recycling and Disposal

Your Nature's Generator Power Pod may contain materials that are regulated for environmental reasons. Your Nature's Generator Power Pod also contains materials that can be recycled and reused. To help protect the environment, contact your local authorities for information about disposal or recycling and about finding a recycler in your area before you dispose of your Nature's Generator Power Pod.

Introduction

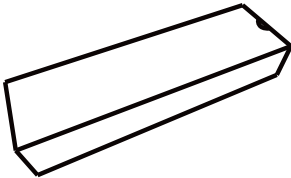
Congratulations on your new Nature's Generator Power Pod, a great expansion to your Nature's Generator.

Unpacking Your Nature's Generator Power Pod

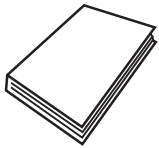
1. Nature's Generator Power Pod



2. Accessory Box

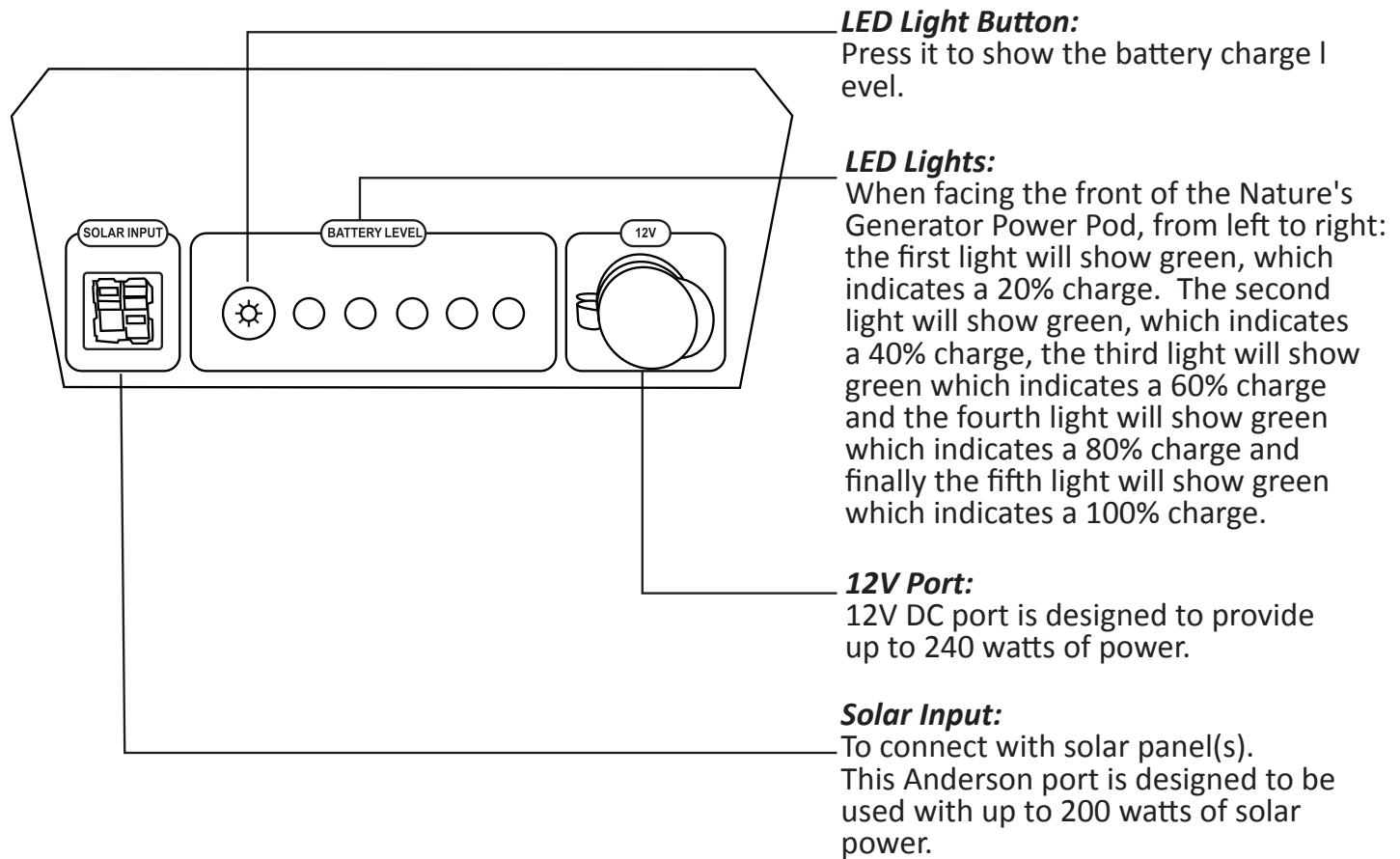


3. This user guide

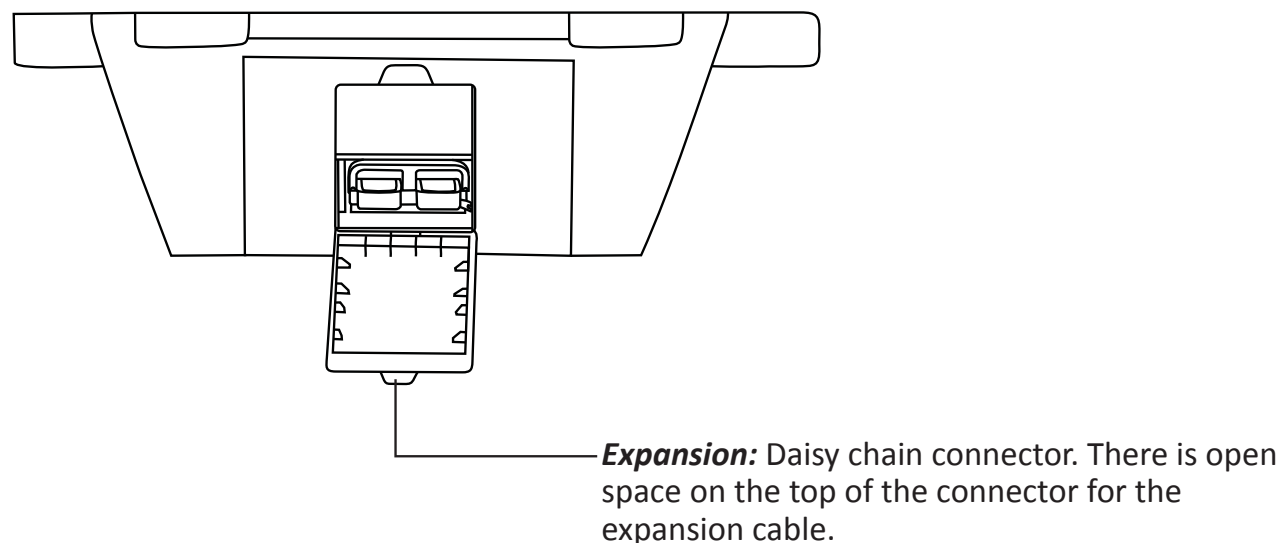


Get to Know Your Nature's Generator Power Pod

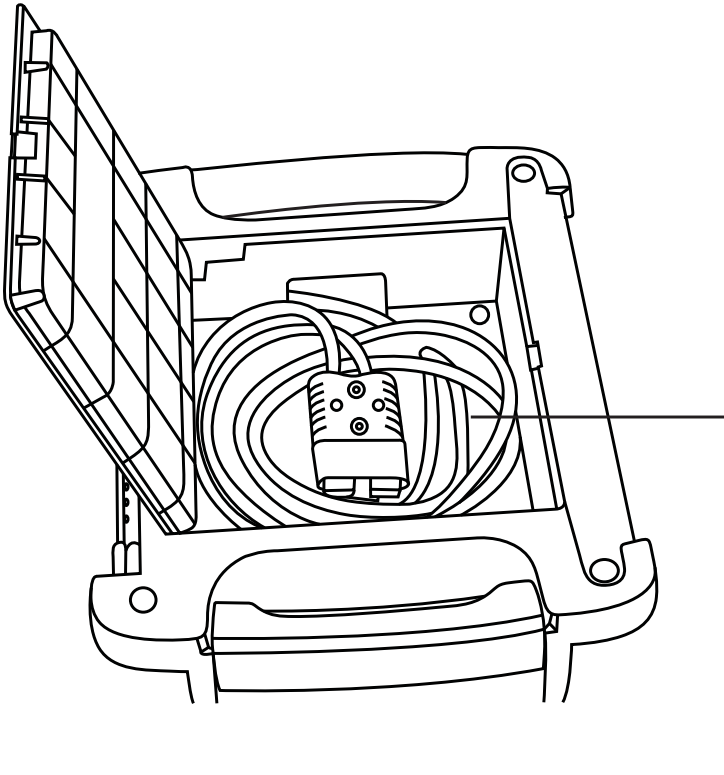
Front Panel



Back Panel



Top Compartment



Expansion cable: 35 inch long expansion cable.

Using Your Nature's Generator Power Pod

How to Recharge Your Nature's Generator Power Pod

Recharging from Solar Panels

1. Place your solar panel where it will get as much direct sunlight as possible. While direct sunlight is always preferred, solar panels should be connected at all times to provide a consistent trickle charge to your battery. Solar panels will also send a charge your unit while in hazy or overcast skies.
2. Insert solar panel plug into Solar Input port on the front of Nature's Generator Power Pod. You will know it is recharging when LED lights start running. The LED lights remain solid when the battery is full or there is not enough power from solar panel.
3. It takes about 15 to 20 hours to recharge Nature's Generator Power Pod if using 100 watt solar panel, and also depends on the the strength of the sunlight.
4. To increase the recharging speed, you can daisy chain multiple solar panels in parallel connection. The Solar Input port can handle up to 200 watt solar panel. Visit Naturesgenerator.com for information on purchasing additional solar panels.

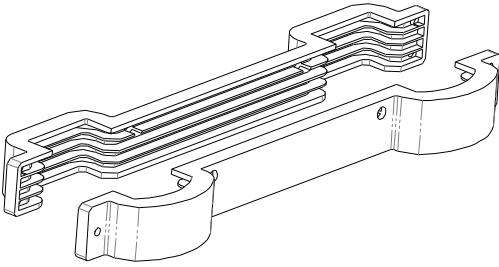
Recharging from Nature's Generator

1. Connect Nature's Generator Power Pod to Nature's Generator (not included in the box) by the expansion cable.
2. When Nature's Generator is being recharged by solar, wind or wall, Nature's Generator Power Pod will be recharged at the same time.
3. The LED lights do not run while Nature's Generator Power Pod is recharged from Nature's Generator, but you can press the LED Light Button to check battery level.

How to Install Your Nature's Generator Power Pod on Top of Nature's Generator

What is in the accessory box

1. Brackets



2. Bolts and nuts

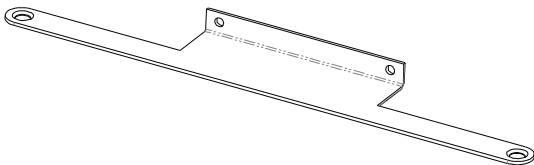


A: 16mm x 2pcs

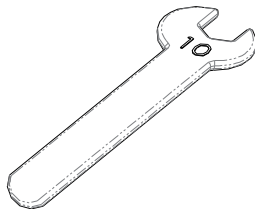
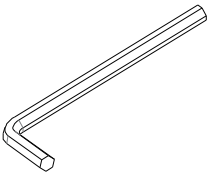


B: 25mm x 2pcs

3. Power Pod Bar

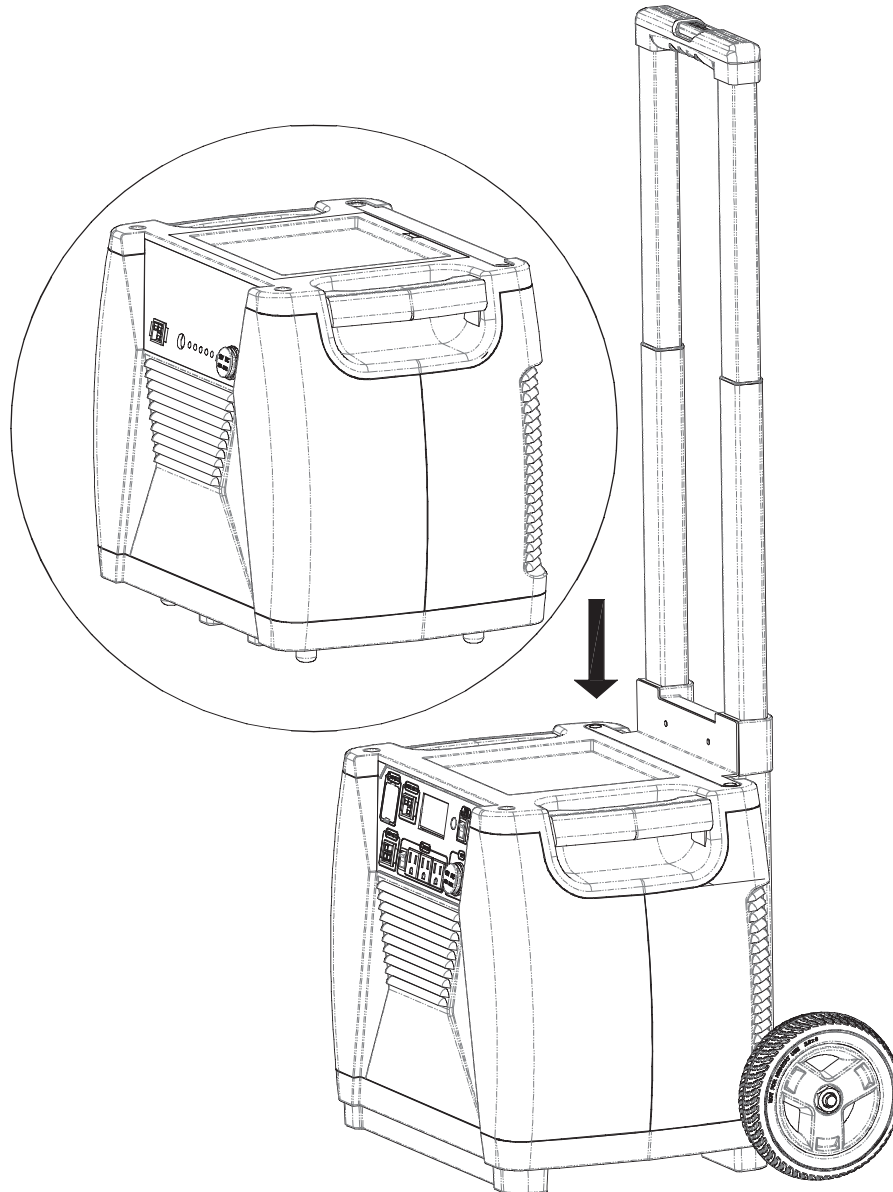


4. Tools

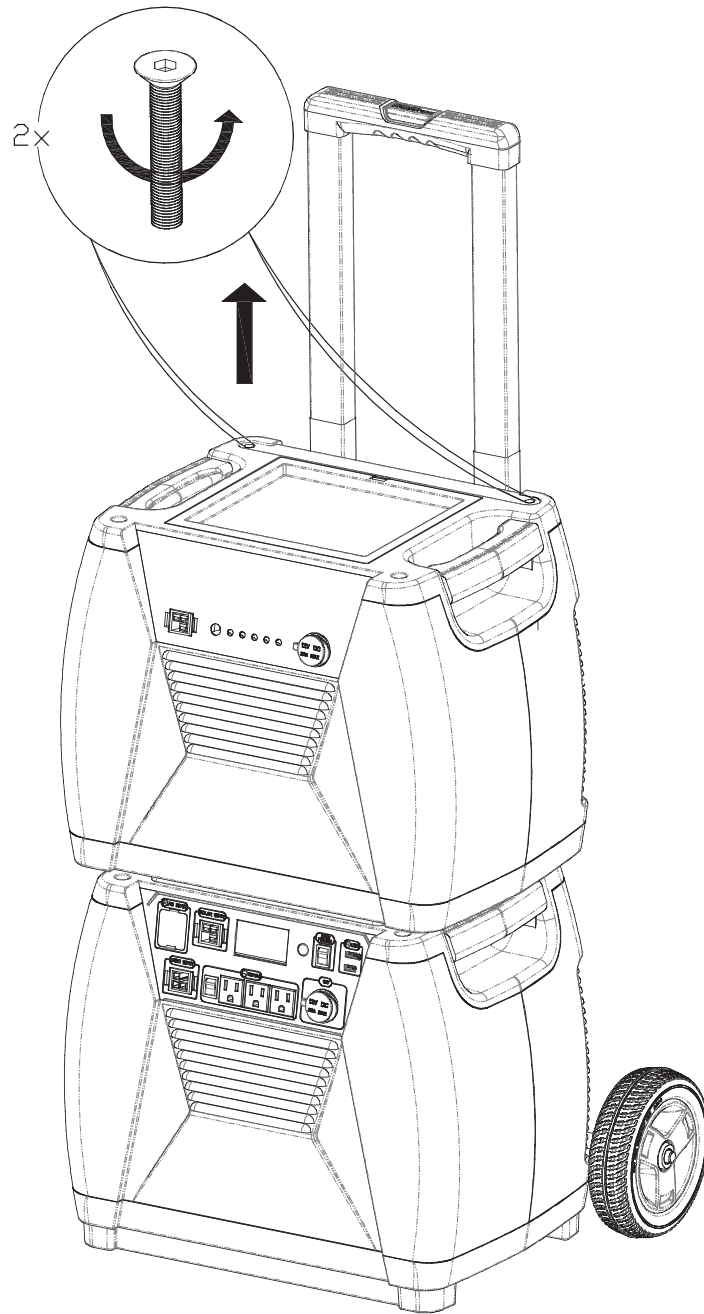


Installing Procedures

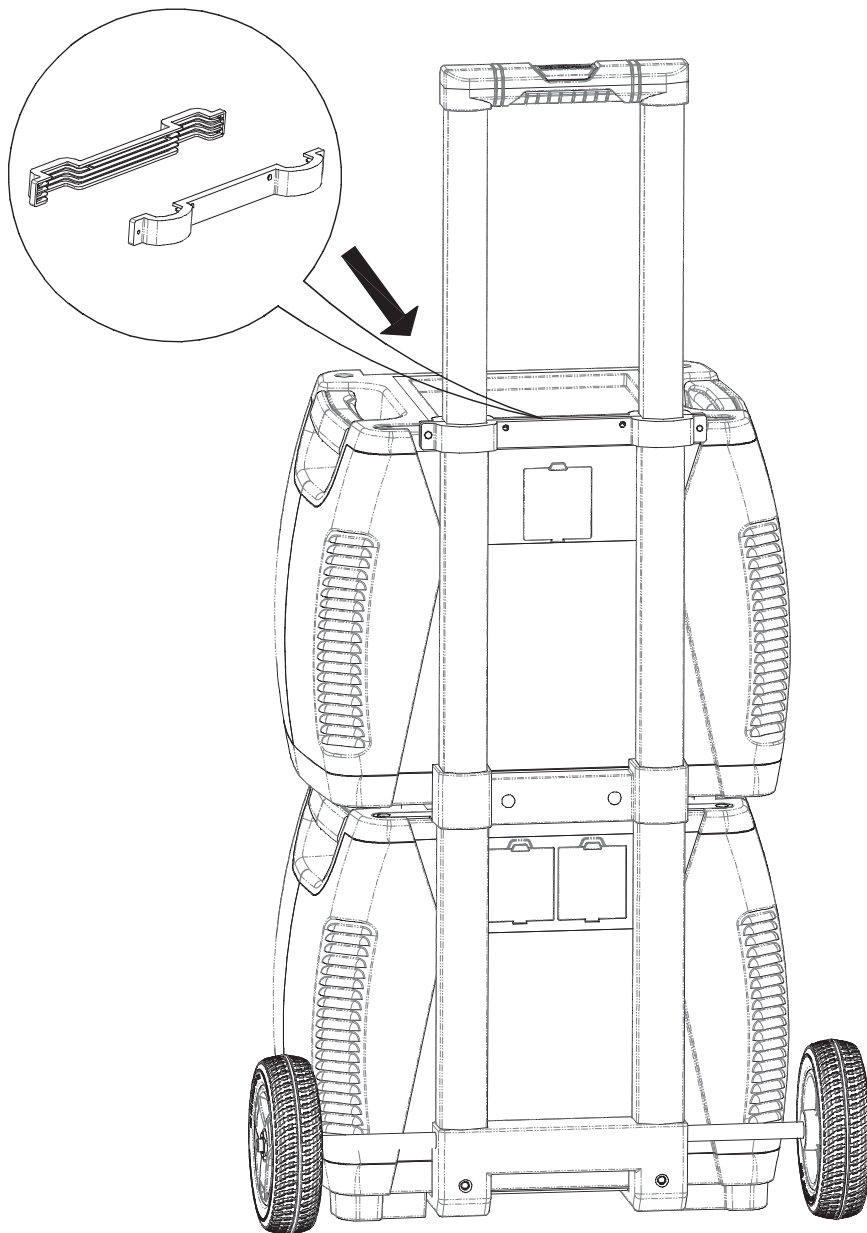
Step 1: Lift Nature's Generator Power Pod and set it on top of Nature's Generator. Make sure the feet of Nature's Generator Power Pod sit between the handle and top case of Nature's Generator.



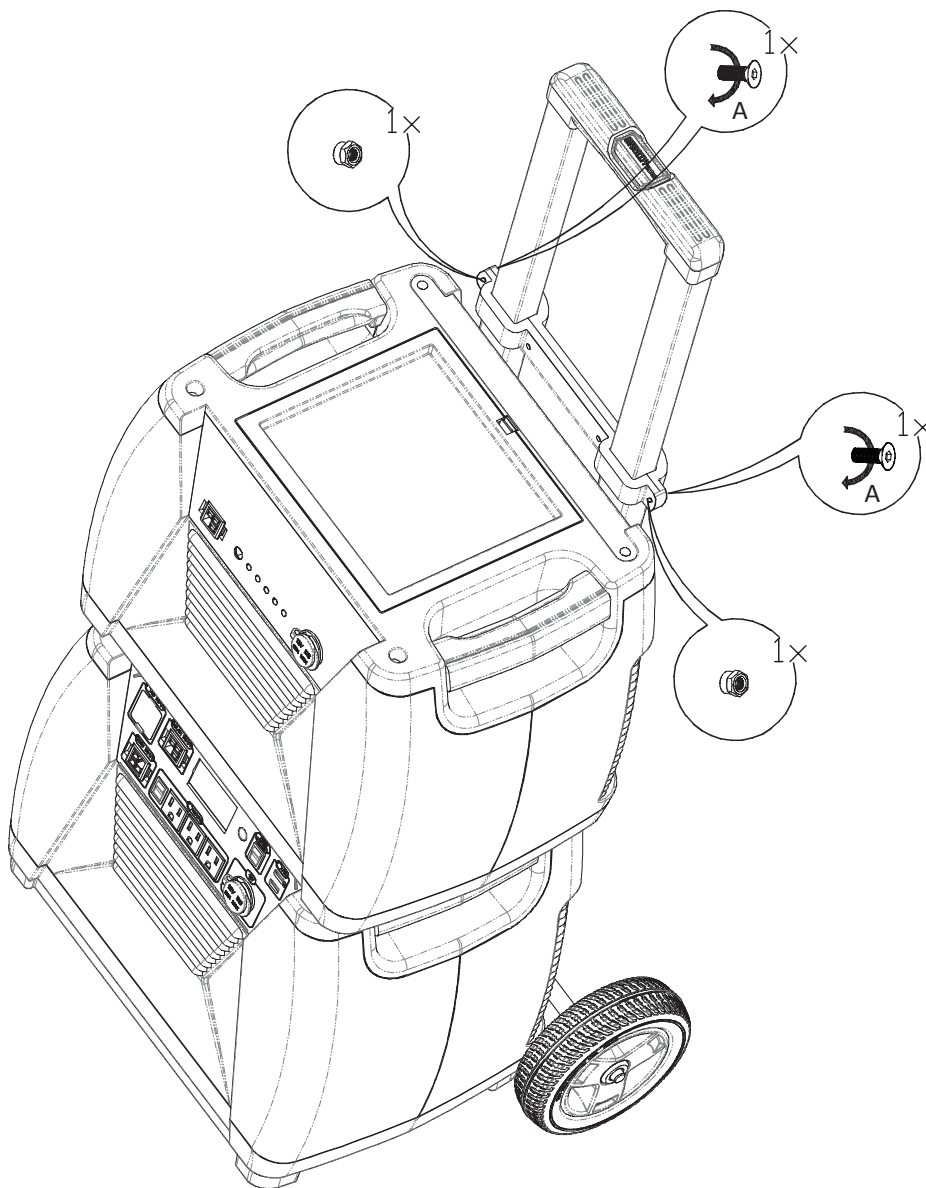
Step 2: Remove two bolts from Nature's Generator Power Pod with included the Allen wrench. Put these two bolts aside for now as they will be reused in step 5 below.



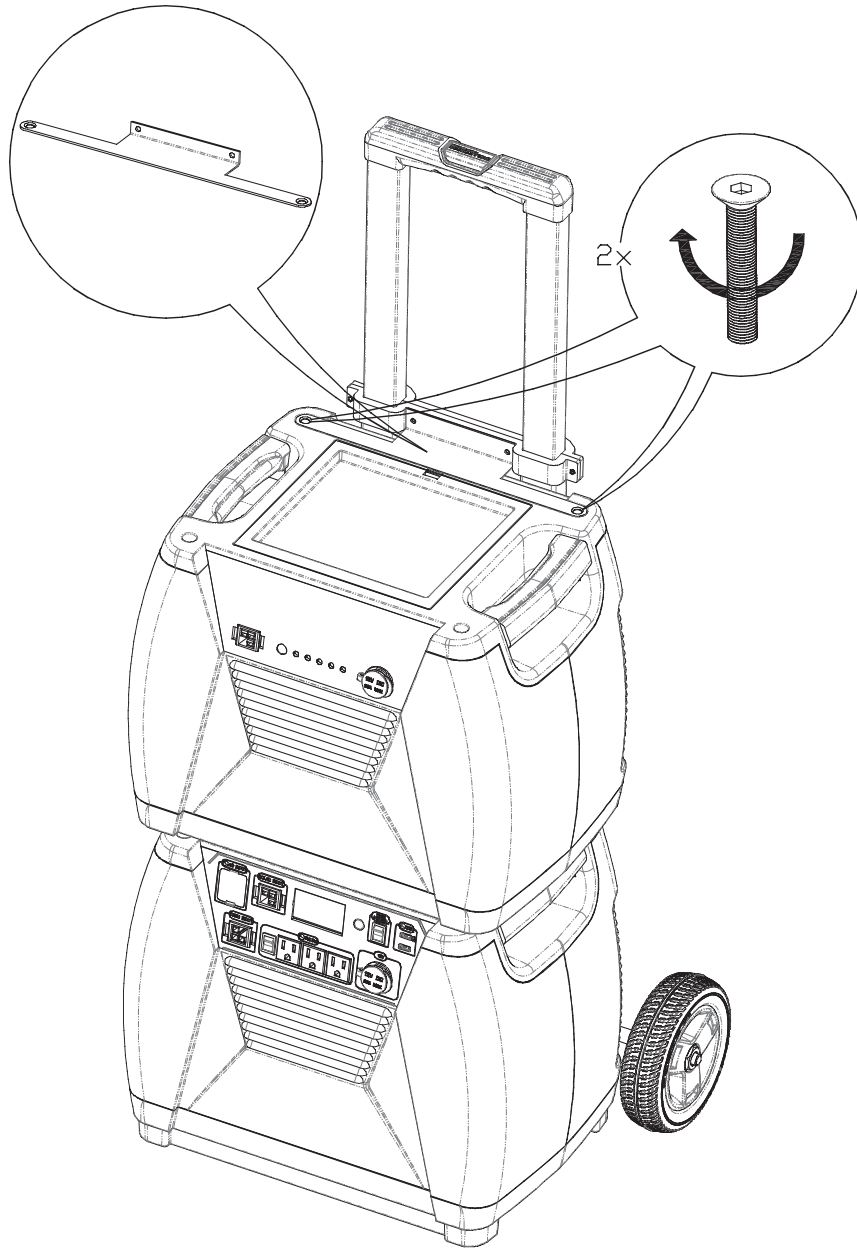
Step 3: Put the brackets on the cart. Bracket will match up with the shape of the cart frame. The curved part of the bracket should be placed on the back of the cart and the straight part of the bracket should be placed on the front of the cart.



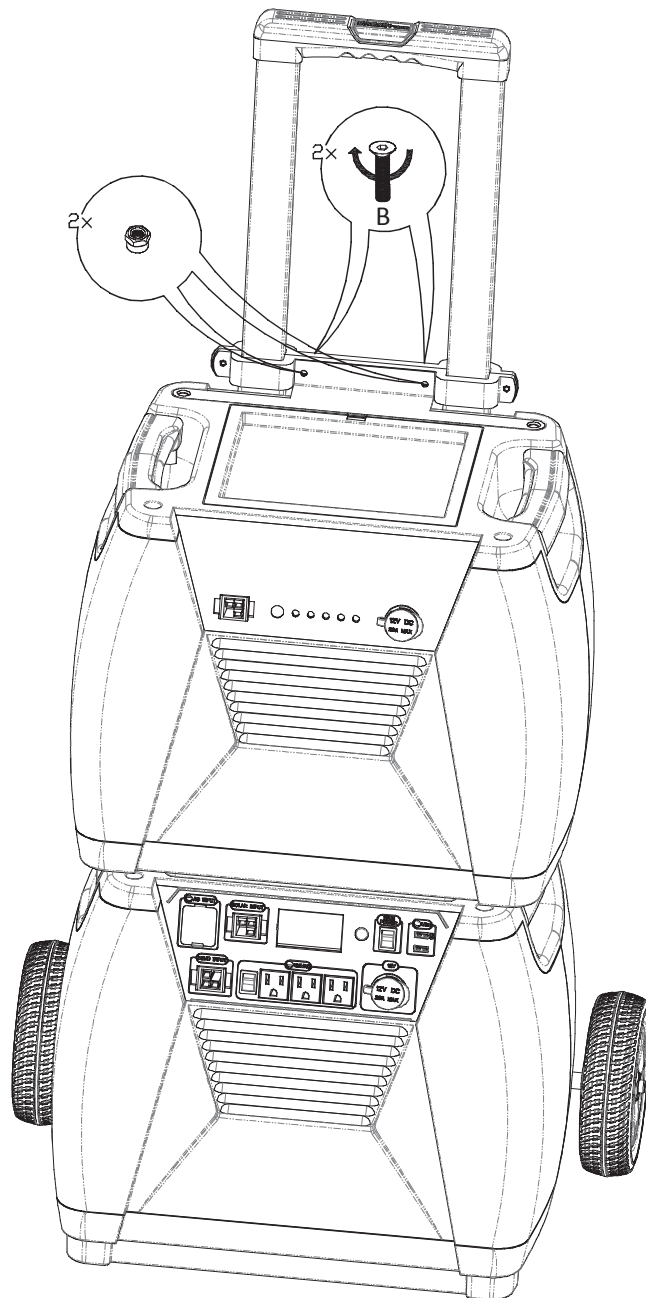
Step 4: Use type A bolts and nuts to secure the two brackets. Use wrench to hold the nuts the Allen wrench to tighten the bolts.



Step 5: Place power pod on the top of Nature's Generator Power Pod. Insert the bolts that were removed in step 2 by the Allen wrench.



Step 6: Use the type B bolts and nuts to secure the brackets and power pod bar. Use the wrench to hold the nuts and the Allen wrench to tighten the bolts.



How to Connect Your Nature's Generator Power Pod to Nature's Generator

You can connect your Nature's Generator Power Pod to your Nature's Generator to extend the overall run time.

1. Open the top cover of the Nature's Generator Power Pod, locate the expansion cable, and run the expansion cable out of Nature's Generator Power Pod through the opening on the back of the Nature's Generator Power Pod.
2. Locate expansion port on the back of your Nature's Generator and open the rubber cover.
3. Connect the expansion cable to the expansion port. Due to the amount of voltage running between the Nature's Generator and Nature's Generator Power Pod, this is a very tight fit to ensure no electrical shock while connecting.
4. The Expansion (chain link) Icon will be illuminated on the display of Nature's Generator to indicate Nature's Generator Power Pod is connected.

You will experience an increased run time of approximately 167% by adding one Nature's Generator Power Pod, approximately 333% by adding two Nature's Generator Power Pods and 500% by adding three Nature's Generator Power Pods.

How to Maintain and Store Your Nature's Generator Power Pod

Please recharge your Nature's Generator Power Pod once every four months and store in a ventilated, cool and dry location. If possible, please connect your Nature's Generator Power Pod to the solar panel while in storage to top off the battery voltage. This keeps the battery healthy and prolongs its life. Failure to maintain Nature's Generator Power Pod by these steps can result in battery damage which will void the product warranty.

Please clean your Nature's Generator Power Pod with a soft, lint-free cloth. If your Nature's Generator Power Pod is especially dirty, moisten a soft, lint-free cloth in a weak detergent solution, squeeze the excess moisture from the cloth, then wipe the cabinet with the cloth. Use a clean cloth to dry your Nature's Generator Power Pod.

Troubleshooting

My Nature's Generator Power Pod won't charge when I connect my solar panel to it.

Please follow these steps.

1. Make sure the solar panel is pointed directly toward the sun. It is preferred to position the solar panel facing south. The solar panel may produce little or no power if it is positioned in shade.
2. Check the cable connection on your Nature's Generator Power Pod and make sure it is properly connected.
3. If the LEDs light up, but are not running. It means Nature's Generator Power Pod is being fully charged by the solar panel or solar panel does not have high enough voltage to recharge the Nature's Generator Power Pod.

Technical Specifications

Battery:

Type: AGM Sealed Lead Acid

Capacity: 100Ah (1200Wh)

Self-discharge: Recommend to recharge it every 4 months

Ports:

12V DC Port: up to 20A (240W max)

Expansion Cable: 45 inches

Charges:

Solar Charger: 200watt

Battery Level LED lights: 5 LED lights

General:

Dimensions: 18 x 12 x 15 in (47 x 30 x 38 cm)

Operating temperature: 32-104 °F (0-40 °C)

Storage Temperature: 23–111 °F (-5–45 °C)

Weight: 92 lbs

Limited Warranty

One Year Limited Warranty

Huntkey USA Inc. warrants to you, the original purchaser of this new product, that the product shall be free of defects in the original manufacture of the material or workmanship for a period of one (1) year from the original date of your purchase of the product (“Warranty Period”). This product must be purchased from an authorized dealer and packaged with this warranty statement. This warranty does not cover refurbished product.

What does this Warranty Cover?

During the Warranty Period, if the original manufacture of the material or workmanship of the product is determined to be defective by an authorized dealer, Huntkey USA Inc. will (at its sole option): (1) repair the product with new or rebuilt parts; or (2) replace the product at no charge with new or rebuilt comparable products or parts. Products and parts replaced under this warranty become the property of Huntkey USA Inc. and are not returned to you. If service of products or parts are required after the Warranty Period expires, you must pay all labor and parts charges. This warranty lasts as long as you own your product during the Warranty Period. Warranty coverage terminates if you sell or otherwise transfer the product.

How to Obtain Warranty Service?

Please call 1-800-975-7909 Monday through Friday, 9:00 AM to 5:00 PM PST. You will be provided with a Return Merchandise Authorization (RMA) number and return instructions. Send product to:

Huntkey USA, Inc.
3130 Paseo Mercado Suite 106
Oxnard, CA 93036

Please include the RMA number prominently displayed on the shipping box and include your name, phone number and address with the product inside the box.

Where is the Warranty Valid?

This warranty is valid only to the original purchaser of the product in North America (United States, Canada and Mexico).

What does the Warranty not Cover?

This warranty does not cover:

- Cosmetic damage
- Damage due to force majeure, such as lightning strikes, fire, flood, etc..
- Accident
- Misuse
- Abuse
- Negligence
- Commercial use
- Modification of any part of the product
- Damage due to incorrect operation or maintenance
- Connection to an incorrect voltage supply
- Attempted repair by anyone other than a facility authorized by Huntkey USA Inc. to service the product
- Products sold as is or with all faults
- Consumables, such as batteries
- Products where the factory applied serial number has been altered or removed

REPAIR REPLACEMENT AS PROVIDED UNDER THIS WARRANTY IS YOUR EXCLUSIVE REMEDY. HUNTKEY USA INC. SHALL NOT BE LIABLE FOR ANY INCIDENTAL OR CONSEQUENTIAL DAMAGES FOR THE BREACH OF ANY EXPRESS OR IMPLIED WARRANTY ON THIS PRODUCT, INCLUDING, BUT NOT LIMITED TO LOST DATA, LOSS OF USE OF YOUR PRODUCT, LOST BUSINESS OR LOST PROFITS. HUNTKEY USA INC. PRODUCTS MAKES NO OTHER EXPRESS WARRANTIES WITH RESPECT TO THE PRODUCT, ALL EXPRESS AND IMPLIED WARRANTIES FOR THE PRODUCT, INCLUDING, BUT NOT LIMITED TO, ANY IMPLIED WARRANTIES OF AND CONDITIONS OF MERCHANTABILITY AND FITNESS FOR A PARTICULAR PURPOSE, ARE LIMITED IN DURATION TO THE WARRANTY PERIOD SET FORTH ABOVE AND NO WARRANTIES, WHETHER EXPRESS OR IMPLIED, WILL APPLY AFTER THE WARRANTY PERIOD. SOME STATES, PROVINCES AND JURISDICTIONS DO NOT ALLOW LIMITATIONS ON HOW LONG AN IMPLIED WARRANTY LASTS, SO THE ABOVE LIMITATION MAY NOT APPLY TO YOU. THIS WARRANTY GIVES YOU SPECIFIC LEGAL RIGHTS, AND YOU MAY ALSO HAVE OTHER RIGHTS, WHICH VARY FROM STATE TO STATE OR PROVINCE TO PROVINCE.

Contact Huntkey USA Inc:

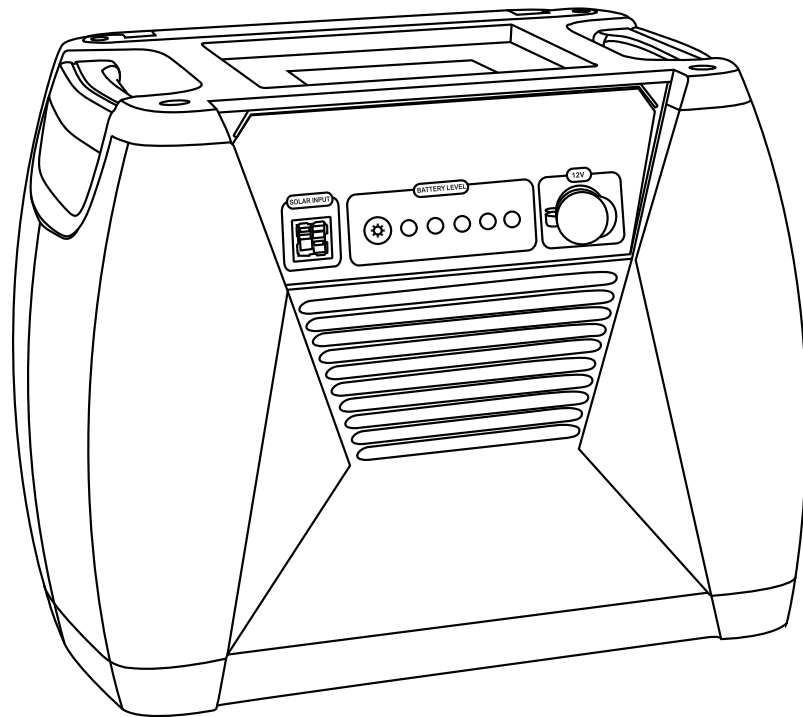
For customer service please call 1-800-975-7909

Huntkey USA, Inc.

3130 Paseo Mercado Suite 106

Oxnard, CA 93036

Power Pod de Nature's Generator Manual del Usuario



Power Pod de Nature's Generator

Contenido

Instrucciones de Seguridad Importantes	18
- Advertencia	18
- Precaución	19
Introducción	20
- Desempaca el Power Pod de Nature's Generator	20
- Conoce el Power Pod de Nature's Generator	21
Usando el Power Pod de Nature's Generator	23
- Cómo Cargar el Power Pod Nature's Generator	23
- Cómo instalar el Power Pod de Nature's Generator encima del Nature's Generator	24
- Cómo conectar el Power Pod de Nature's Generator al Nature's Generator	31
- Cómo mantener y almacenar el Power Pod de Nature's Generator	31
Solución de Problemas	31
Especificaciones Técnicas	32
Garantía Limitada	33

Instrucciones de Seguridad Importantes

1. Lee estas instrucciones
2. Guarda estas instrucciones.
3. Pon atención a todas las advertencias.
4. Sigue todas las instrucciones.
5. No uses este aparato cerca del agua.
6. No bloquee ninguna abertura de ventilación.
7. No lo uses cerca de gases inflamables o humo o de algún otro aparato que produzca una gran cantidad de calor.
8. Solo usa los aditamentos/accesorios especificados por el fabricante.
9. Usa solo con el carrito especificado por el fabricante o vendido con el aparato. Cuando uses un carrito, ten cuidado al mover la combinación de carrito / aparato para evitar lesiones por vuelco.
10. Remite todo el servicio técnico a personal de servicio calificado. El servicio se requiere cuando el aparato se ha dañado de alguna forma, por ejemplo si el cable de alimentación o el enchufe estuvieran dañados, si se hubiera derramado líquido o si hubiera caído algún objeto dentro del aparato, el aparato haya estado expuesto a la lluvia o la humedad, no funciona normalmente, o se haya caído.
11. El aparato no debe exponerse a goteos o salpicaduras, y no deben colocarse objetos llenos de líquidos, como jarrones, sobre el aparato.

Advertencia

Peligro de Explosión

No quemes ni incineres este artículo. Este artículo puede explotar, causando lesiones personales o daños. No lo uses cerca de gases o humos inflamables u otros aparatos que produzcan grandes cantidades de calor.

Riesgo de Energía y Quemaduras

El Power Pod de Nature's Generator tiene una batería de plomo ácido sellada, que puede presentar un riesgo de quemadura debido a un cortocircuito.

Piezas de repuesto

Cuando se requieren piezas de repuesto, asegúrate de que el técnico de servicio use las piezas de repuesto especificadas por el fabricante que tengan las mismas características que la pieza original. Las sustituciones no autorizadas pueden provocar incendios, descargas eléctricas, lesiones personales u otros peligros.

Verificación de seguridad

Después de completar cualquier servicio o reparación de este dispositivo, pídele al técnico de servicio que realice las verificaciones de seguridad de rutina para determinar si el Power Pod de Nature's Generator está en las condiciones operativas correctas.

Servicio

Estas instrucciones de servicio son para uso exclusivo de personal calificado. Para reducir el riesgo de descarga eléctrica, no realices ninguna otra reparación que no sea la contenida en las instrucciones de funcionamiento, a menos que estés calificado para hacerlo.

Precaución

Daños que requieren servicio

Deja de usar el Power Pod de Nature's Generator y remite el servicio al personal de servicio calificado bajo las siguientes condiciones:

- Si se ha derramado líquido o han caído objetos en el Power Pod de Nature's Generator.
- Si el Power Pod de Nature's Generator ha sido expuesto a la lluvia o el agua.
- Si el Power Pod de Nature's Generator se ha caído o dañado de alguna manera.
- Cuando el Power Pod de Nature's Generator muestra un cambio notable en el rendimiento.

Clima frío

Las temperaturas frías pueden afectar el rendimiento del Power Pod de Nature's Generator.

Si te encuentras en un área con una consistencia por debajo de la congelación, te recomendamos que mantengas el Power Pod de Nature's Generator en un lugar aislado y conectado a un panel solar.

Reciclaje y eliminación

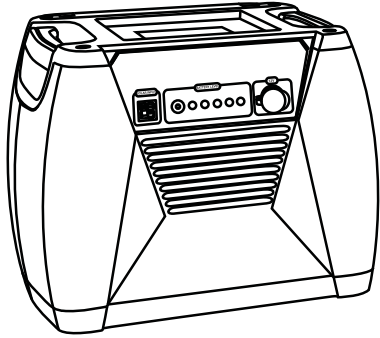
El Power Pod de Nature's Generator puede contener materiales regulados por razones ambientales. El Power Pod de Nature's Generator también contiene materiales que se pueden reciclar y reutilizar. Para ayudar a proteger el medio ambiente, comunícate con las autoridades locales para obtener información sobre la eliminación o el reciclaje y sobre cómo encontrar un reciclador en su área antes de deshacerte del Power Pod de Nature's Generator.

Introducción

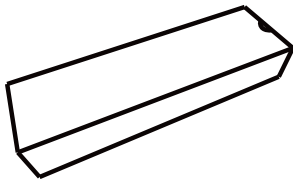
Felicidades por tu nuevo Power Pod de Nature's Generator, una gran adición a tu Nature's Generator.

Desempacando el Power Pod de Nature's Generator

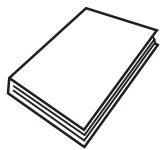
1. El Power Pod de Nature's Generator



2. Caja de accesorios

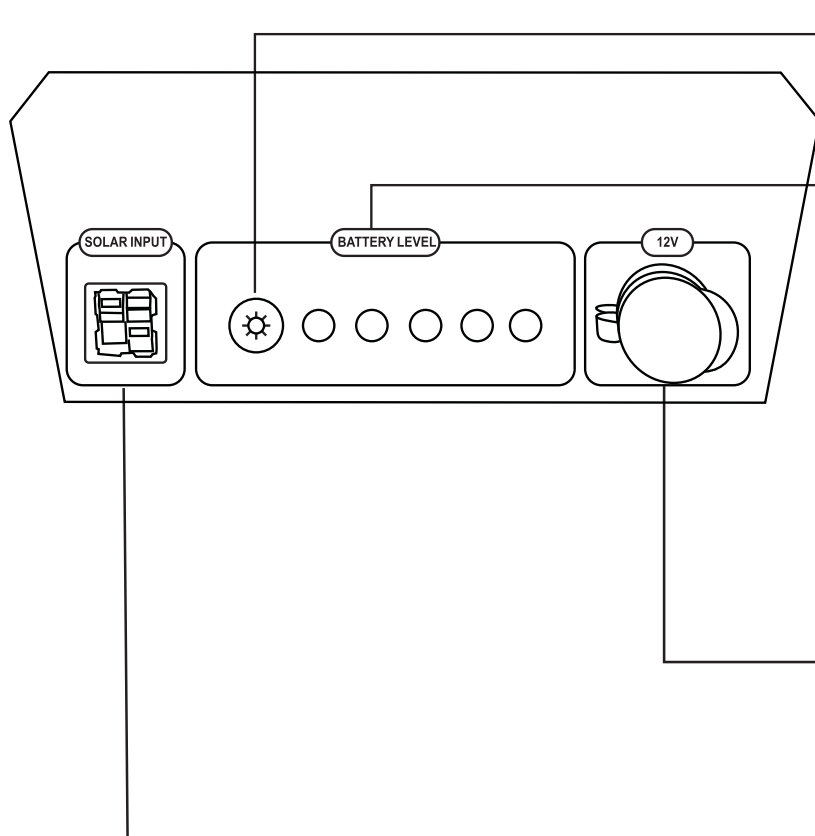


3. Esta Guía del Usuario



Conociendo el Power Pod de Nature's Generator

Panel Frontal



Botón de luz LED:

Presiónalo para mostrar el nivel de la batería.

Luces LED:

Viendo de frente Power Pod de Nature's Generator, de izquierda a derecha: la primera luz se mostrará en rojo, lo que indica una carga del 20%. El segundo indicador mostrará verde, indicando el 40% de la potencia, el tercero mostrará verde, indicando el 60% de la potencia, el cuarto mostrará verde, indicando el 80% de la potencia, y los últimos cinco mostrarán verde, indicando 100% de la electricidad.

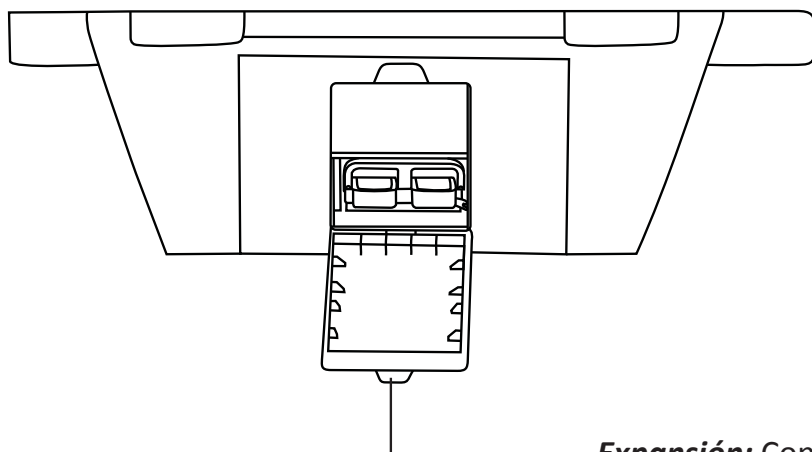
Puerto de 12V:

El puerto de 12 V CC está diseñado para proporcionar hasta 240 vatios de potencia.

Entrada solar:

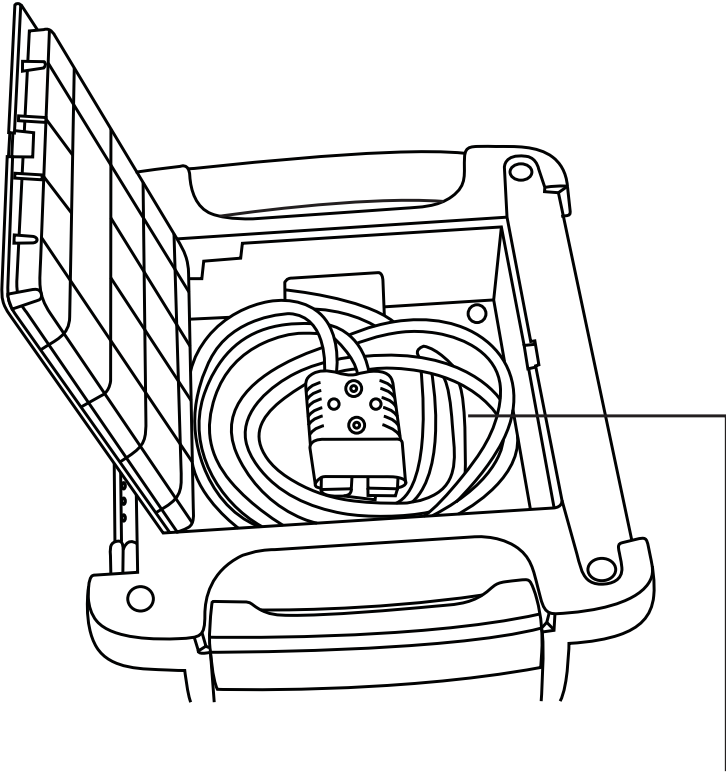
Para conectar con paneles solares. Este puerto de Anderson está diseñado para ser utilizado con hasta 200 vatios de energía solar.

Panel posterior



Expansión: Conector de cadena tipo margarita. Hay un espacio abierto en la parte superior del conector para el cable de expansión.

Compartimento Superior



Cable de expansión: Cable de expansión de 35 pulgadas de largo.

Usando el Power Pod de Nature's Generator

Cómo Cargar el Power Pod de Nature's Generator

Cargando con Páneles Solares

1. Coloca tu panel solar donde reciba la mayor cantidad posible de luz solar directa. Si bien siempre se prefiere la luz solar directa, los páneles solares deben estar conectados en todo momento para proporcionar una carga de goteo constante a tu batería. Los páneles solares también enviarán carga a tu unidad mientras se encuentre en cielos nublados.
2. Inserta el enchufe del panel solar en el puerto de Entrada Solar en la parte frontal del Power Pod de tu Nature's Generator. Sabrás que se está cargando cuando las luces LED comiencen a funcionar. Las luces LED permanecen encendidas cuando la batería está llena o no hay suficiente energía del panel solar.
3. Se tarda entre 10 y 15 horas en recargar el Power Pod de Nature's Generator si se usa un panel solar de 100 vatios, y también depende de la fuerza de la luz solar.
4. Para aumentar la velocidad de recarga, puedes conectar en cadena varios páneles solares en conexión paralela. El puerto de entrada solar puede aguantar hasta 200 vatios de energía solar. Visita naturesgenerator.com para obtener información sobre la compra de páneles solares adicionales.

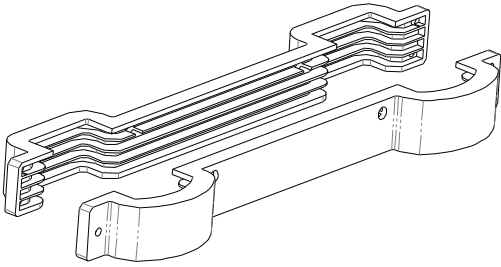
Cargando desde el Nature's Generator

1. Conecta el Power Pod de Nature's Generator al Nature's Generator (no incluido en la caja) usando el cable de expansión.
2. Cuando el Nature's Generator se esté cargando usando energía solar, eólica o conectado a la pared, el Power Pod de tu Nature's Generator se cargará al mismo tiempo.
3. Las luces LED no se ejecutan mientras el Power Pod de Nature's Generator se recarga desde el Nature's Generator, pero puedes presionar el botón de luz LED para verificar el nivel de la batería.

Cómo instalar el Power Pod de Nature's Generator encima del Nature's Generator

Qué está incluido en la caja de accesorios

1. Soportes



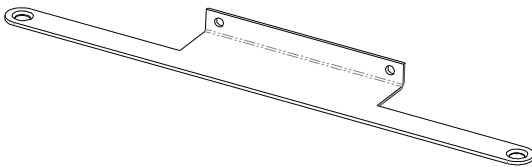
2. Tornillos y tuercas



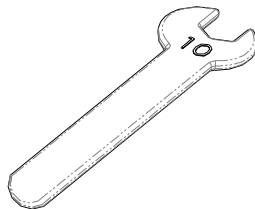
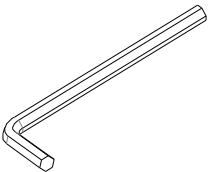
A: 16mm x 2 piezas

B: 25mm x 2 piezas

3. Barra del Power Pod

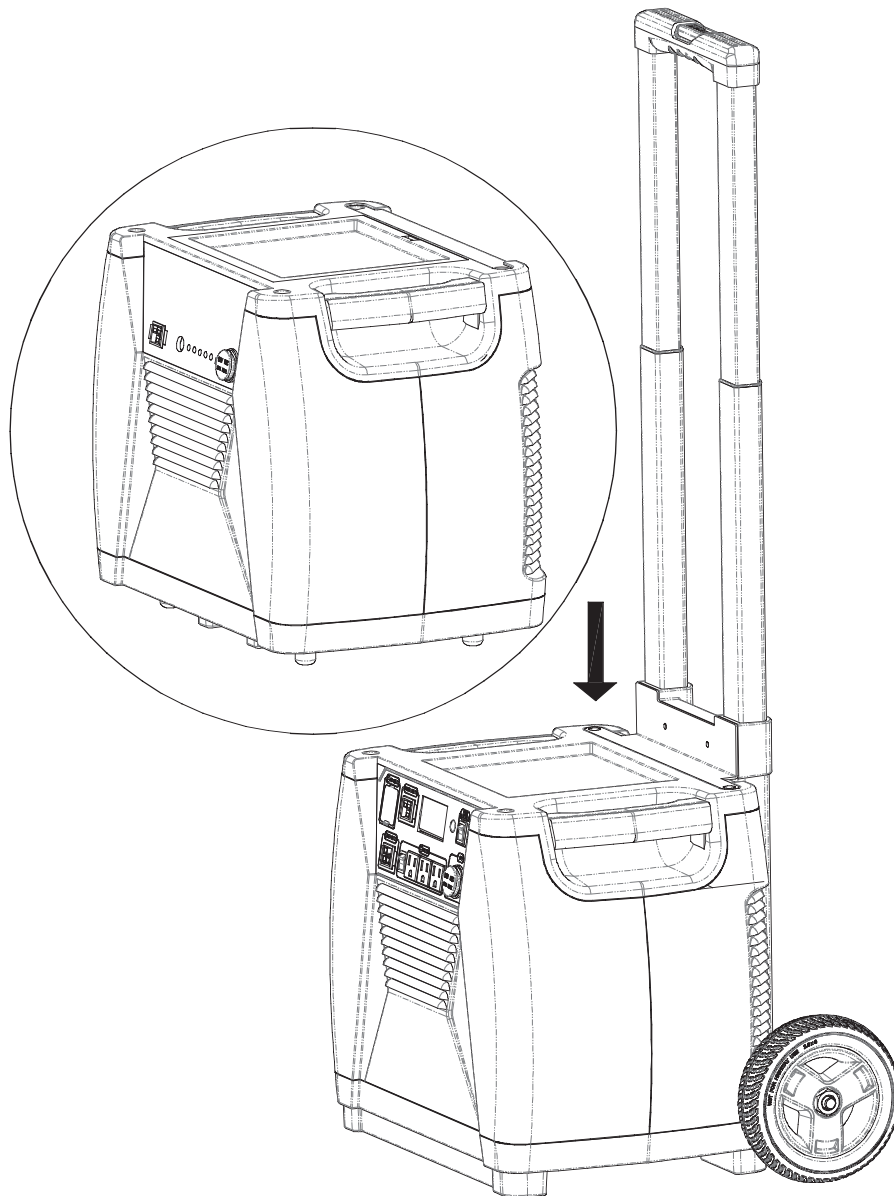


4. Herramientas

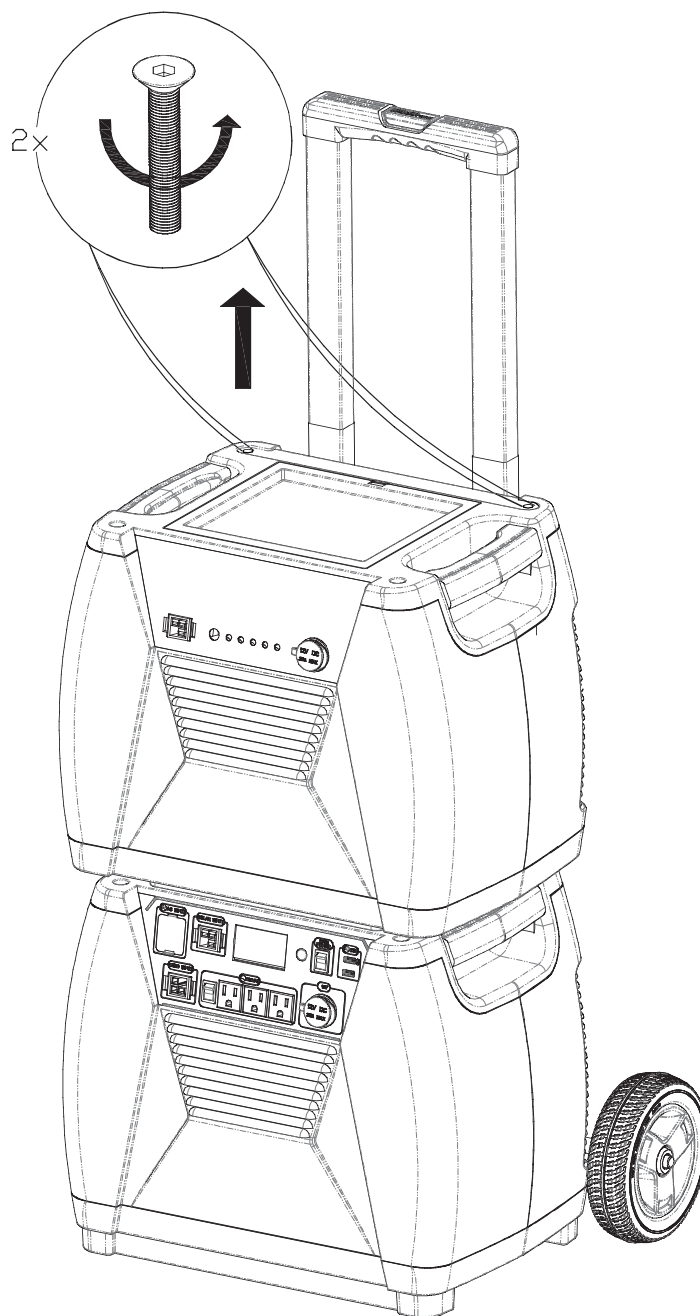


Procedimientos de instalación

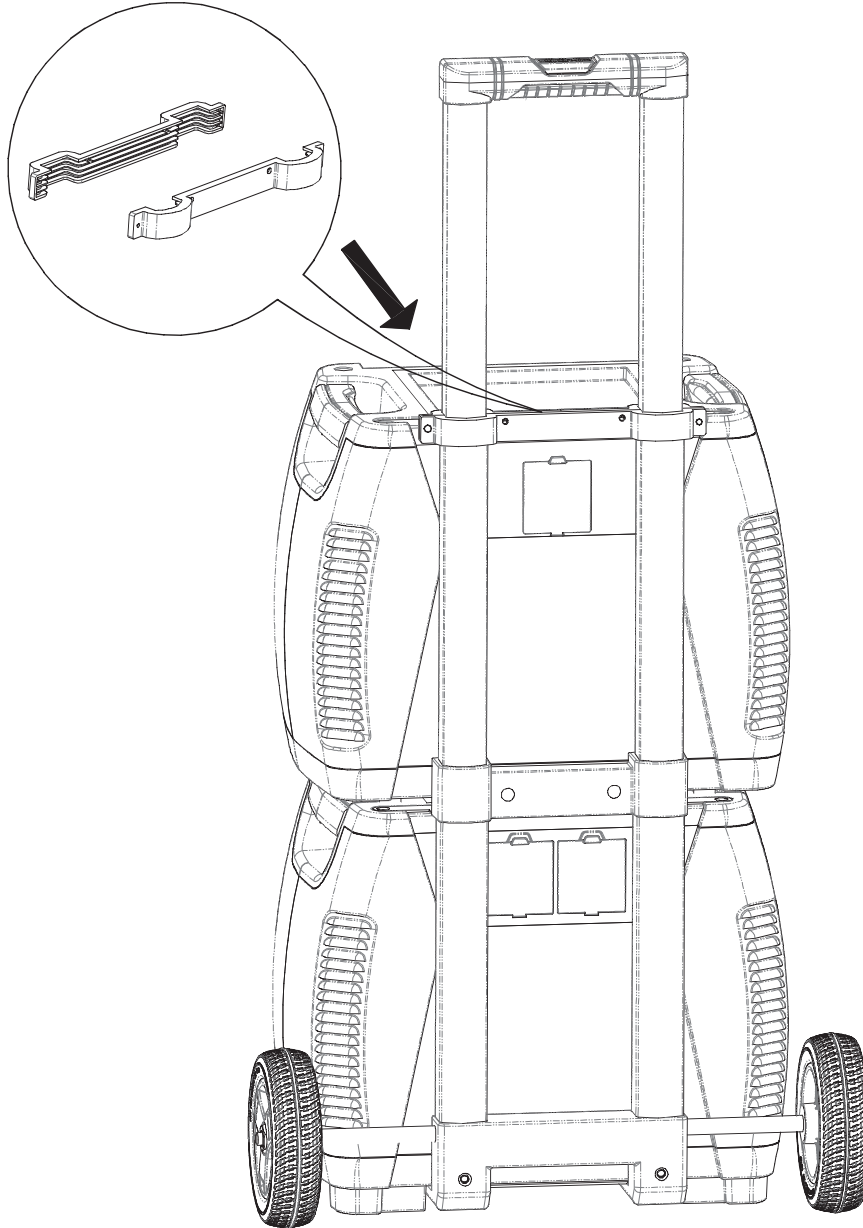
Paso 1: levanta el Power Pod de Nature's Generator y colócalo sobre el Nature's Generator. Asegúrate de que los pies del Power Pod de Nature's Generator se encuentren entre el asa y la cubierta superior del Nature's Generator.



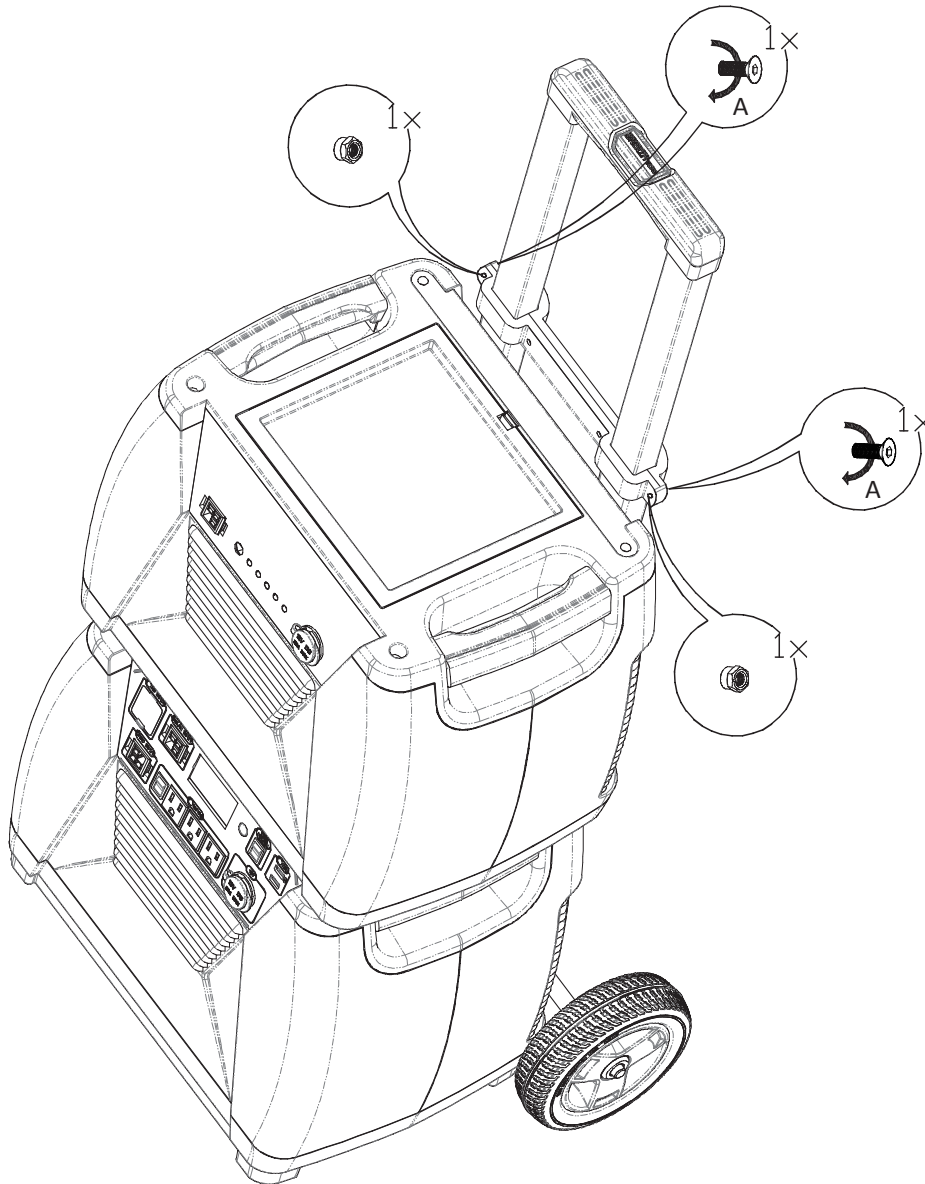
Paso 2: Retira los dos pernos del Power Pod de Nature's Generator con la llave Allen incluida. Deja a un estos dos tornillos por ahora, ya que se reutilizarán en el paso 5 a continuación.



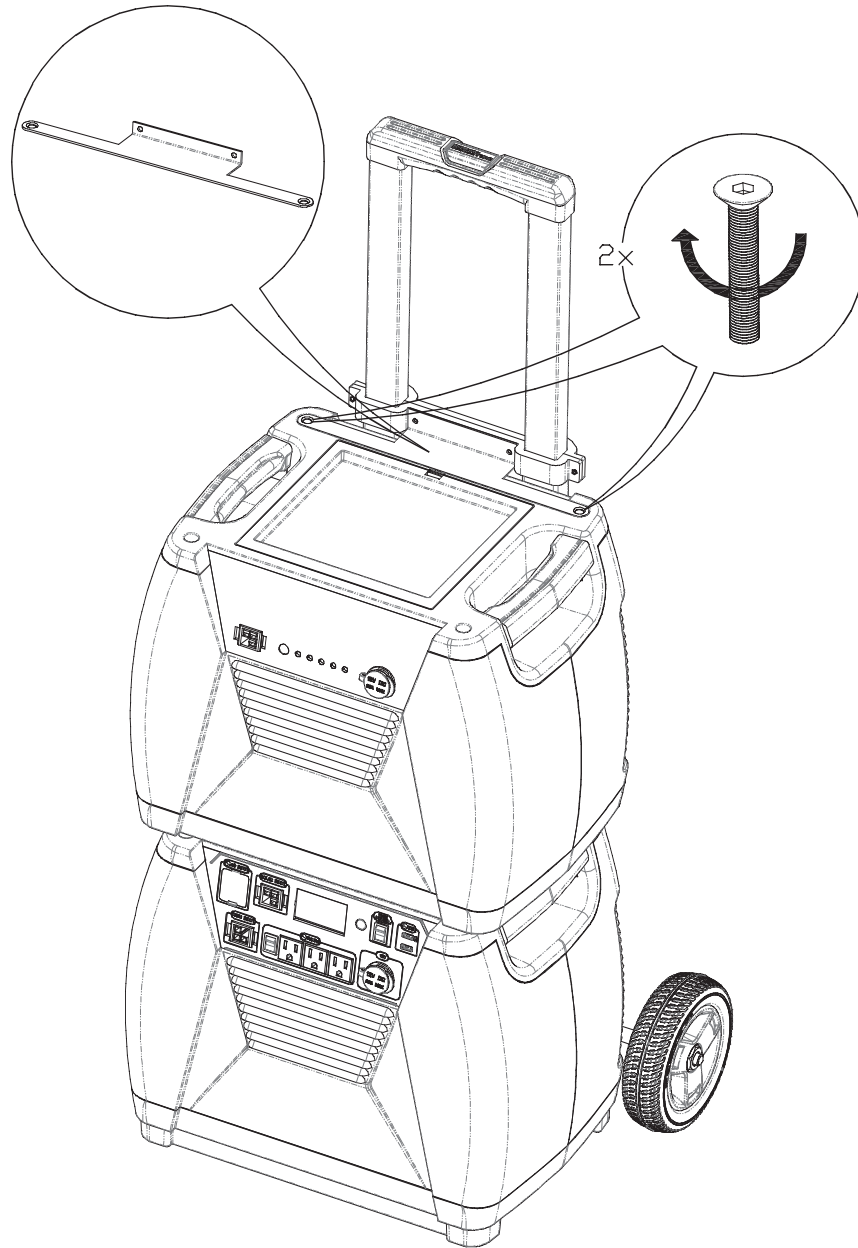
Paso 3: Coloca los soportes en el carrito. El soporte coincidirá con la forma del marco del carro. La parte curva del soporte debe colocarse en la parte posterior del carrito y la parte recta del soporte debe colocarse en la parte frontal del carrito.



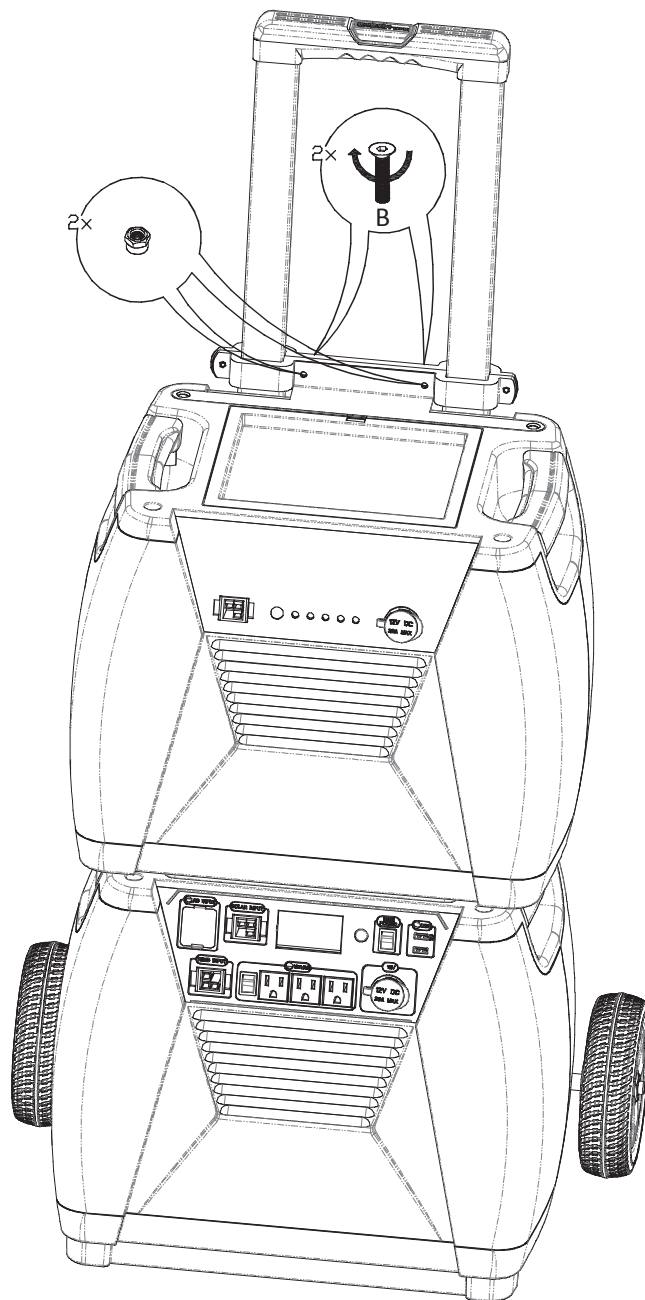
Paso 4: Utiliza tornillos y tuercas tipo A para asegurar los dos soportes. Usa una llave para sujetar las tuercas de la llave Allen para apretar los pernos.



Paso 5: Coloca la cápsula de poder en la parte superior del Power Pod de Nature's Generator. Inserta los tornillos que se quitaron en el paso 2 con la llave Allen.



Paso 6: Usa los pernos y tuercas tipo B para asegurar los soportes y la barra de la cápsula de poder. Usa la llave para sujetar las tuercas y la llave Allen para apretar los pernos.



Cómo conectar el Power Pod de Nature's Generator al Nature's Generator

Puedes conectar el Power Pod de Nature's Generator a tu Nature's Generator para extender el tiempo de uso.

1. Abre la cubierta superior del Power Pod de Nature's Generator, ubica el cable de expansión y extiende el cable de expansión del Power Pod a través de la abertura en la parte posterior del Power Pod.
 2. Localiza el puerto de expansión en la parte posterior de tu Nature's Generator y abre la cubierta de goma.
 3. Conecta el cable de expansión al puerto de expansión. Debido a la cantidad de voltaje que se ejecuta entre el Nature's Generator y el Power Pod de Nature's Generator, este es un ajuste muy apretado para garantizar que no se produzcan descargas eléctricas durante la conexión.
 4. El icono de Expansión (enlace de cadena) se iluminará en la pantalla del Nature's Generator para indicar que el Power Pod está conectado.
- Experimentarás un aumento en el tiempo de ejecución de aproximadamente 167% al agregar un Power Pod de Nature's Generator, aproximadamente 333% al agregar dos Power Pods y al 500% al agregar tres Power Pods.

Cómo Mantener y Almacenar tu Power Pod de Nature's Generator

Recarga tu Power Pod de Nature's Generator una vez cada cuatro meses y almacénalo en un lugar ventilado, fresco y seco. Si es posible, conecte su Power Poder de Nature's Generator al panel solar mientras está almacenado para completar el voltaje de la batería. Esto mantiene la batería sana y prolonga su vida útil. Si no se realiza el mantenimiento del Power Pod de Nature's Generator mediante estos pasos, se puede dañar la batería, lo que anulará la garantía del producto.

Limpia el Power Pod de Nature's Generator con un paño suave y sin pelusas. Si el Power Pod de Nature's Generator está especialmente sucio, humedece un paño suave y sin pelusa en una solución de detergente débil, exprime el exceso de humedad del paño y luego limpia el gabinete con el paño. Usa un paño limpio para secar el Power Pod de Nature's Generator.

Solución de problemas

Mi Power Pod de Nature's Generator no se carga cuando le conecto mi panel solar.

Por favor sigue estos pasos.

1. Asegúrate de que el panel solar apunte directamente hacia el sol. Es preferible colocar el panel solar orientado hacia el sur. El panel solar puede producir poca o nada de energía si se coloca en la sombra.
2. Verifica la conexión del cable en el Power Pod de Nature's Generator y asegúrate de que esté correctamente conectado.
3. La pantalla LCD se enciende pero la batería no está funcionando. Esto significa que el panel solar ha cargado completamente el Power Pod de Nature's Generator o el panel solar no tiene el voltaje suficiente para recargar el Power Pod de Nature's Generator.

Especificaciones técnicas

Batería:

Batería: Tipo: AGM Sealed Acid

Capacidad: 100Ah (1200Wh)

Autodescarga: Se recomienda recargar cada 4 meses

Puertos:

12V Puerto DC: hasta 20A (240W máximo)

Cable de Expansión: 35 pulgadas

Cargas:

Cargador solar: 200watt

Luces LED del Nivel de la Batería: 5 luces LED

General:

Dimensiones: 18 x 12 x 15 pulgadas (47 x 30 x 38 cm)

Temperatura de funcionamiento: 32-104 ° F (0-40 ° F) C)

Temperatura de almacenamiento: 23-111 ° F (-5-45 ° C)

Peso del producto: 92 libras

Garantía limitada

Garantía limitada de un año

Garantía limitada de un año

Huntkey USA Inc. te garantiza a ti, el comprador original de este nuevo producto, que el producto estará libre de defectos en la fabricación original del material o mano de obra por un período de un (1) año a partir de la fecha original de compra de El producto ("Período de garantía"). Este producto se debe comprar en un distribuidor autorizado y se debe empaquetar con esta declaración de garantía. Esta garantía no cubre productos restaurados.

¿Qué cubre esta garantía?

Durante el Período de garantía, si un fabricante autorizado determina que la manufactura o el material original del producto es defectuoso, Huntkey USA Inc. (a su exclusivo criterio): (1) reparará el producto con piezas nuevas o reconstruidas ; o (2) reemplazará el producto sin costo alguno por productos o partes nuevas o reconstruidas similares. Los productos y las piezas reemplazadas bajo esta garantía se convierten en propiedad de Nature's Generator y no se te devuelven. Si se requiere el servicio de productos o piezas después del vencimiento del período de garantía, debes pagar todos los cargos por mano de obra y piezas. Esta garantía dura mientras seas propietario de tu producto durante el Período de garantía. La cobertura de la garantía termina si vendes o transfieres el producto.

¿Cómo obtener servicio de garantía?

Llama al 1-800-975-7909 de lunes a viernes, de 9:00 a.m. a 5:00 p.m. PST. Se te proporcionará un número de Autorización de devolución de mercancía (RMA) e instrucciones de devolución. Enviar producto a:

Huntkey USA, Inc.
3130 Paseo Mercado Suite 106
Oxnard, CA 93036

Incluye el número de RMA que se muestra prominentemente en la caja de envío e incluye tu nombre, número de teléfono y dirección con el producto dentro de la caja.

¿Dónde es válida la garantía?

Esta garantía es válida solo para el comprador original del producto en Norteamérica (Estados Unidos, Canadá y México).

¿Qué es lo que no cubre la garantía?

Esta garantía no cubre:

- Daños cosméticos
- Daños debidos a causas de fuerza mayor, tal como rayos
- Accidentes
- Uso inapropiado
- Abuso
- Negligencia
- Uso comercial
- Modificación de alguna parte del Producto
- Daño debido al uso o mantenimiento inapropiado
- Conexión a una fuente de voltaje incorrecta
- Intento de reparación por personal no autorizado por Dynex para reparar el Producto
- Productos vendidos tal cual (en el estado en que se encuentran) o con todas sus fallas
- Consumibles, tales como fusibles o baterías
- Productos en los cuales el número de serie asignado en la fábrica ha sido alterado o removido

EL REEMPLAZO O LA REPARACIÓN ESTIPULADOS BAJO ESTA GARANTÍA SON SU RECURSO EXCLUSIVO. HUNTKEY USA INC. NO SERÁ RESPONSABLE POR DAÑOS INCIDENTALES O CONSECUENTES DEBIDO AL INCUMPLIMIENTO DE CUALQUIER GARANTÍA EXPRESA O IMPLÍCITA RELACIONADA CON ESTE PRODUCTO, INCLUYENDO PERO SIN LIMITARSE A ELLO, LA PÉRDIDA DE DATOS, LA IMPOSIBILIDAD DE USO DE SU PRODUCTO, LA PÉRDIDA DE NEGOCIOS O DE GANANCIAS. HUNTKEY USA INC. PRODUCTS NO OFRECE NINGUNA OTRA GARANTÍA EXPRESA RELACIONADA CON ESTE PRODUCTO, INCLUYENDO PERO SIN LIMITARSE A, CUALQUIER GARANTÍA IMPLÍCITA Y CONDICIONES DE COMERCIALIZACIÓN E IDONEIDAD PARA UN USO PARTICULAR, ESTÁN LIMITADAS EN DURACIÓN AL PERÍODO DE GARANTÍA DECLARADO ANTERIORMENTE Y NINGUNA GARANTÍA YA SEA EXPRESA O IMPLÍCITA SE APLICARÁ DESPUÉS DEL PERÍODO DE GARANTÍA. ALGUNOS ESTADOS, PROVINCIAS Y JURISDICCIONES NO PERMITEN RESTRICCIONES EN CUANTO A LA DURACIÓN DE UNA GARANTÍA IMPLÍCITA, ASÍ QUE LA RESTRICCIÓN ANTERIOR PUEDE NO APLICARSE EN SU CASO. ESTA GARANTÍA LE DA DERECHOS LEGALES ESPECÍFICOS, Y USTED PUEDE POSEER OTROS DERECHOS QUE VARÍAN DE ESTADO A ESTADO, O DE PROVINCIA A PROVINCIA.

Comuníquese con Huntkey USA Inc:

Para servicio al cliente favor llamar al 1-800-975-7909

Huntkey USA, Inc.

3130 Paseo Mercado Suite 106

Oxnard, CA 93036



V2.0 ENGLISH
19-0603

V1.0 ESPAÑOL
19-0618