



# Z824B0-XL

## Single Control Faucet

TAG \_\_\_\_\_

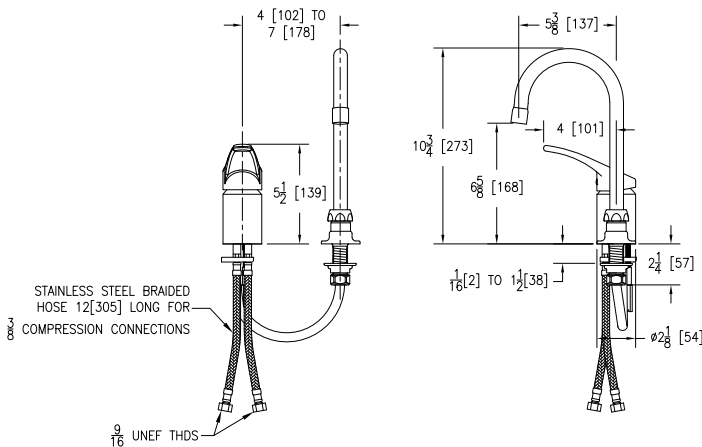
### Architectural/Engineering Specification:

Polished chrome-plated cast brass single control faucet with a rigid or swing spout, a ceramic disc cartridge and a temperature limit stop. Unit is furnished with a standard 2.2 GPM aerator, a metal ADA compliant lever handle, stainless steel flex connection hoses and mounting hardware.

Zurn Lead Free products (-XL) is the line of durable, high quality brass faucets and fixtures that are designed and manufactured to comply with Section 1417 of the Safe Drinking Water Act (SDWA) which mandates the weighted average lead content of no more than 0.25% of the wetted surface.

### Product Features:

- Heavy-duty Quarter Turn Ceramic Disc Cartridge
- Chrome-plated Cast Brass Body
- Stainless Steel Flex Connection Hoses



Rough-in/Overview dimensions

### Compliance and Certification:

- Low-Lead Compliant
- ADA Compliant



XL LEAD FREE

ADA DESIGNED

ZURN INDUSTRIES, LLC 511 W. Freshwater Way, Milwaukee, WI U.S.A. 53204 · Ph. 1-855-ONE-ZURN, Fax 919-775-3541

In Canada: ZURN INDUSTRIES LIMITED 7900 Goreway Drive, Unit 10, Brampton, Ontario L6T 5W6, Ph. 905-405-8272, Fax 905-405-1292

Rev. A

Date: 04/09/19

C.N. No. NEW

Prod. | Dwg. No. SS Z824B0-XL

### Aerator Options:

	Flow rate GPM [LpM]	Vandal Resistant	Pressure Compression	Outlet Type
-2F	2.2[8.3]	✓	✓	Aerator
-3F	0.5[1.9]	✓	✓	Spray
-4F	2.2[8.3]	✓	✓	Laminar
-7F	1.0[3.8]		✓	Spray
-16F	1.0[3.8]	✓	✓	Spray
-17F	1.5[5.7]	✓	✓	Aerator
-18F	1.5[5.7]	✓	✓	Laminar
-22F	1.0[3.8]	✓		Laminar
-25F	1.0[3.8]	✓	✓	Spray
-28F	1.0[3.8]	✓		Laminar

### Suffix Options:

- 140 140° Restricted Swing Gooseneck Spout
- CST Copper Supply Tubes
- FC 2.0 GPM [7.6L] Laminar Flow Control in Base of Spout
- HS Hose and Spray

### Architectural/Engineering Approval

The information contained in this document is subject to change without notice. Please contact Zurn for most up to date information.



US 1.855.ONE.ZURN CANADA 1.905.405.8272 ZURN.COM