

16771



Call Us First!
DO NOT RETURN TO STORE.

For questions on assembly or for general inquiries, you may contact us in the following ways:
Call customer service: **1-877-743-3400**

AVOID THE WAIT!

visit us online at
help.backyardproducts.com

- Submit a help request
- Answers to frequently asked questions
- Live chat with an agent



Did you enjoy building your shed?

JOIN OUR TEAM
AND MAKE UP TO \$1,500/WEEK*

Call a Recruiter Today! 734-365-7000



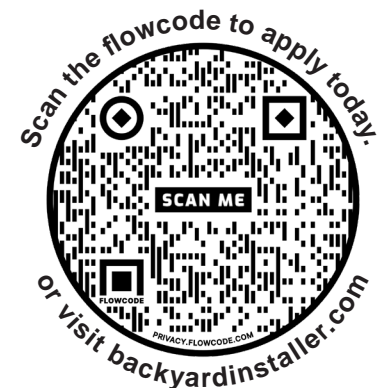
Flexible schedule



No selling,
just building



Bonus incentives
available



*based on number of completed installations



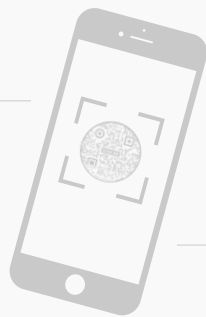
Win \$500

A new winner is selected every 2 months.

Review your product for the chance to win a **\$500 Visa Gift Card**.



How to Enter:



Open camera.
Aim. Tap.



1

Scan
QR code above.

2

Click
'write a review'

3

Find your product.
Tell us what you think.

4

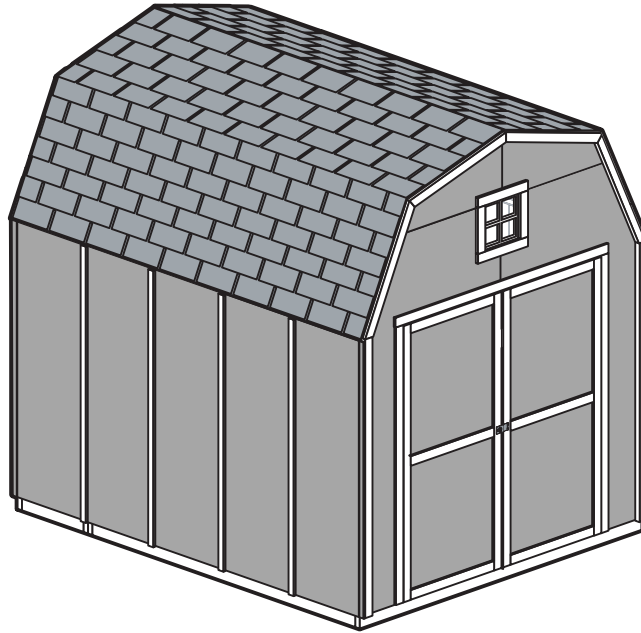
Submit your review.
You'll be notified by e-mail if
you've won the \$500 gift card.

Write a Backyard Products, LLC. product review at backyardreviews.net for a chance to win a \$500 Visa gift card. No purchase necessary to enter. Must be legal U.S. resident (including DC & Puerto Rico), 18 or older to participate. Taxes on prize are responsibility of winner. Odds of winning depend on the number of eligible reviews received. Void where prohibited. For complete details and official rules, visit <https://backyardreviews.net/sweepstakes-rules>.

MONTANA 8' x 9' 8-5/8" (244 x 296 cm)

ACTUAL FLOOR SIZE IS 96 x 116-5/8" (244 x 296 cm)

KEEP THIS MANUAL FOR FUTURE REFERENCE



⚠️ **IMPORTANT!** ⚠️

READ INSTRUCTIONS THOROUGHLY PRIOR TO BEGINNING ASSEMBLY.

BEFORE YOU BEGIN

- **BUILDING RESTRICTIONS AND APPROVALS**

Be sure to check with local building department and homeowners association for specific restrictions and/ or requirements before building

- **ENGINEERED DRAWINGS**

Contact our Customer Service Team if engineered drawings are needed to pull local permits.

- **SURFACE PREPARATION**

To ensure proper assembly you must build your shed on a level surface. Recommended methods and materials to level your shed are listed on page 8.

- **CHECK ALL PARTS**

Inventory all parts listed on pages 4 - 6. Contact our Customer Service Team if any parts are missing or damaged.

ADDITIONAL MATERIALS

You will need additional materials to complete your shed. See page 3 for required and optional materials and quantities.












- CUSTOMER SERVICE -



Call: 1-877-743-3400 email: customerservice@backyardproductsllc.com

TOOLS

Required		Optional	
q Phillips Screwdriver		q Utility Knife q Shingle Blades	
q Drill / Driver q #2 Philips Drive Bit		q Caulk Gun	
q Drill / Driver q 1/4" (0,6 cm) Drill Bit q 3/8" (1 cm) Drill Bit q 1/2" (1,3 cm) Drill Bit		q Saws-All/ Sabre Saw	
q Hammer		q Paint Tools	
q Level		q Safety Glasses	
q Pencil		q Ladder	
q Tape Measure			q Tool Belt/ Nail Pouch
			
			q Tin Snips (for drip edge)
			
			q Chalk Line
			
			q Nail Gun q Gun nails
			
			q Gloves
			
			q Square
			

Safety! Always use approved safety glasses during assembly.

HELPFUL REMINDER SYMBOLS

Look for these symbols for helpful reminders throughout this manual.



= Assistance Required; two or more people.



= Mark part with pencil.



= Ensure squareness.



= Beginning of steps for assembly or installation.



= Important required step or operation.

= You have finished the assembly or installation.



= Helpful assembly hint.

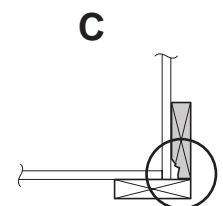
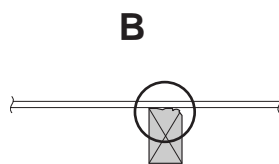
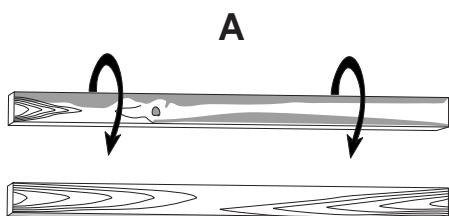


= Level

ORIENT LUMBER AND TRIM FOR BEST APPEARANCE

Framing lumber is graded for structural strength and not appearance. Exterior trim is graded for one good side.

Always install the material leaving the best edge and best surface visible. Please remember that these blemishes in no way negatively affect the strength or integrity of our product. (See Fig. A, B, C.)



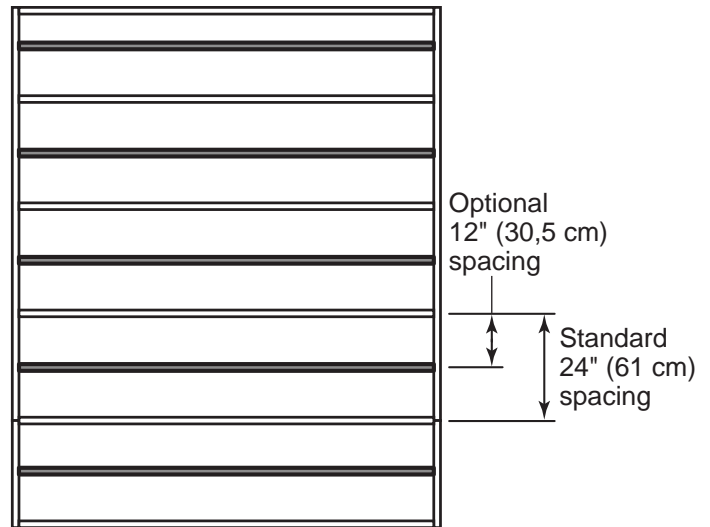
ADDITIONAL MATERIALS

FOUNDATION OR FLOOR MATERIALS

- This shed kit provides directions for a wood floor system, which is not included.
- This shed does not include any leveling materials.
- **See the FLOOR LEVELING section on page 9 for recommended methods and suggested materials to properly level your floor, as this will vary depending on your specific site.**

REINFORCED WOOD FLOOR FRAME (OPTIONAL)


IMPORTANT! The included floor has been designed for general use. Depending on your specific use you may want to construct a heavy duty floor frame by adding additional floor joists (shown below as shaded). Below is a list of additional materials (not included):



- x5** 2 x 4 x 8' (5 x 10 x 244 cm) Treated Lumber
Cut to (5) 2 x 4 x 93" (5 x 10 x 236,2 cm)
- x20** ea. 3" (7,6 cm) Hot Dipped Galvanized Nails

COMPLETING YOUR SHED

You will need these additional materials:

- | | |
|--|---|
| <input type="checkbox"/> 3-TAB SHINGLES 5 Bundles | <input type="checkbox"/> 1" GALVANIZED ROOFING NAILS 4 Lbs
For shingles. |
| <input type="checkbox"/> PAINT FOR SIDING 2 Gallons
Use 100% acrylic latex exterior paint.
(2) coats recommended. | <input type="checkbox"/> PAINT FOR TRIM 1 Quart
Use 100% acrylic latex exterior paint. |
| <input type="checkbox"/> CAULK 2 Tubes
Use acrylic latex exterior caulk 
that is paintable. | <input type="checkbox"/> 1" GALVANIZED ROOFING NAILS 1/4 Lb
For roofing felt. |

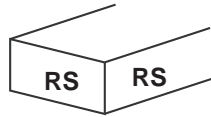
! TO VALIDATE YOUR WARRANTY YOU MUST USE THE FOLLOWING: !

- | | |
|---|--|
| <input type="checkbox"/> DRIP EDGE 30 Feet | <input type="checkbox"/> #15 ROOFING FELT
To cover 136 Sq. Ft. of roof area. |
| <input type="checkbox"/> CAULK 1 Tubes
For windows use acrylic latex exterior caulk that is paintable. | |

REFER TO THE BACK OF THIS MANUAL AND THE MANUFACTURER'S INSTRUCTIONS FOR INSTALLATION OF SHINGLES, DRIP EDGE, AND FELT.

PARTS IDENTIFICATION AND SIZES

Part identification is stamped on some parts.



• Check these locations for part stamp.

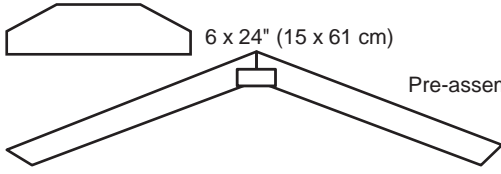
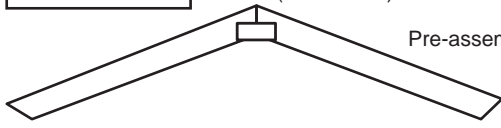
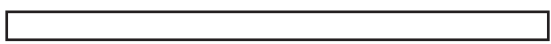
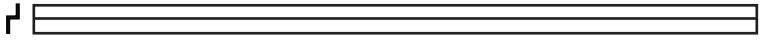
WOOD SIZE CONVERSION CHART	
Nominal Board Size	Actual Size
2 x 41-1/2" x 3-1/2" (3,8 x 8,9 cm)
1 x 43/4" x 3-1/2" (1,9 x 8,9 cm)
2 x 31-1/2" x 2-1/2" (3,8 x 6,3 cm)
1 x 33/4" x 2-1/2" (3,8 x 6,3 cm)

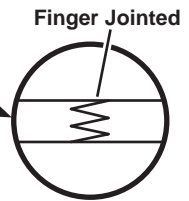
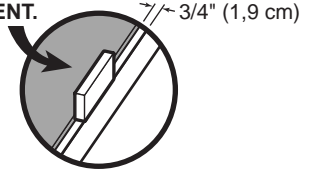
PARTS LIST



INVENTORY YOUR PARTS before you begin.

We suggest sorting parts by the category they are listed in.

Category	Part ID	Part Name	Dimensions
FLOOR	<input type="checkbox"/> x2	TREATED	2 x 4 x 24" (5 x 10 x 52,1 cm)
	<input type="checkbox"/> x2	TREATED	2 x 4 x 92-5/8" (5 x 10 x 243,8 cm)
	<input type="checkbox"/> x6	TREATED	2 x 4 x 93" (5 x 10 x 236,2 cm)
Floor framing joists must be TREATED			
WALLS	<input type="checkbox"/> x1	GAA	1 x 3 x 5" (2,5 x 7,6 x 12,7 cm) GAUGE BLOCK FOR 3/4" (1,9 CM) MEASUREMENT.
	<input type="checkbox"/> x1	LG	2 x 3 x 12-1/4" (5 x 7,6 x 31 cm)
	<input type="checkbox"/> x1	LN	2 x 3 x 16-1/2" (5 x 7,6 x 42 cm)
	<input type="checkbox"/> x1	LT	2 x 3 x 22-1/8" (5 x 7,6 x 56,2 cm)
	<input type="checkbox"/> x2	NZ	2 x 3 x 22-7/8" (5 x 7,6 x 58,1 cm)
	<input type="checkbox"/> x1	DU	2 x 3 x 36" (5 x 7,6 x 91,4 cm)
	<input type="checkbox"/> x4	NH	2 x 3 x 46-1/4" (5 x 7,6 x 117 cm)
	<input type="checkbox"/> x1	NK	2 x 3 x 48" (5 x 7,6 x 122 cm)
	<input type="checkbox"/> x8	OU	2 x 3 x 68-3/4" (5 x 7,6 x 174,6 cm)
	<input type="checkbox"/> x7	OZ	2 x 3 x 70-1/4" (5 x 7,6 x 178 cm)
	<input type="checkbox"/> x1	PT	2 x 3 x 96" (5 x 7,6 x 243,8 cm)
	<input type="checkbox"/> x1	PS	2 x 3 x 91" (5 x 7,6 x 231 cm)
	RAFTERS	<input type="checkbox"/> x8	
<input type="checkbox"/> x8			
<input type="checkbox"/> x2		WO	1 x 4 x 72" (2,5 x 10 x 183 cm)
LOFT	<input type="checkbox"/> x3	VW	2 x 4 x 96" (5 x 10 x 244 cm)
TRIM	<input type="checkbox"/> x4	NX	2 x 3 x 35-7/16" (5 x 7,6 x 90 cm)
	<input type="checkbox"/> x4	NY	2 x 3 x 34-1/8" (5 x 7,6 x 86,7 cm)
	<input type="checkbox"/> x1	HQA	1 x 3 x 70-1/2" (2,5 x 7,6 x 179,1 cm)
	<input type="checkbox"/> x8		1-3/4 x 72" (4,4 x 183 cm) BATTENS
	<input type="checkbox"/> x4	OB	2 x 3 x 72-5/8" (5 x 7,6 x 184,5 cm)
	<input type="checkbox"/> x2		96" (244 cm) Z-STRIP
DOOR	<input type="checkbox"/> x2	OO	69" Door Stiffener (175,3 cm)
	<input type="checkbox"/> x1	ZJ	5/8 x 3 x 72" (1,6 x 7,6 x 183 cm)



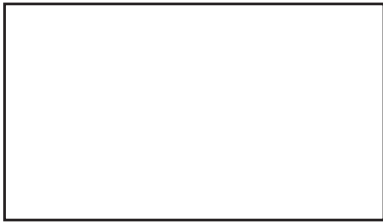
PANEL PARTS LIST

NOTE: Panel parts are not stamped with part identification.

Loft panel is 7/16" (1,1 cm) thick.

LOFT

x1



7/16 x 48 x 84-3/8"
(1,1 x 122 x 214,3 cm)

Roof panels are 7/16" (1,1 cm) thick.

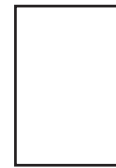
ROOF PANELS

x2



7/16 x 35-3/8 x 96"
(1,1 x 89,8 x 244 cm)

x2



7/16 x 35-3/8 x 23-7/8"
(1,1 x 89,8 x 61 cm)

x2



7/16 x 23-7/8 x 96"
(1,1 x 61 x 244 cm)

x2



7/16 x 23-7/8 x 23-7/8"
(1,1 x 61 x 61 cm)

x2



7/16 x 11-1/2 x 96"
(1,1 x 29,2 x 244 cm)

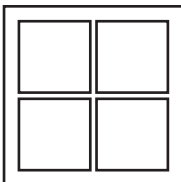
x2



7/16 x 11-1/2 x 23-7/8"
(1,1 x 29,2 x 61 cm)

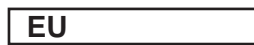
DOOR HARDWARE AND WINDOW PARTS LIST (Not Actual Size)

x1



12 x 12"
(30,5 x 30,5 cm)
Window

x2



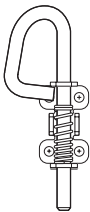
1 x 3 x 17" (2,5 x 7,6 x 43 cm)

x2



1 x 3 x 12" (2,5 x 7,6 x 30,5 cm)

x1

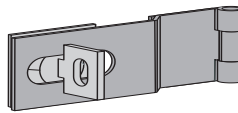


x4

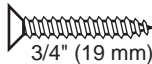


1" (2,5 cm)

x1



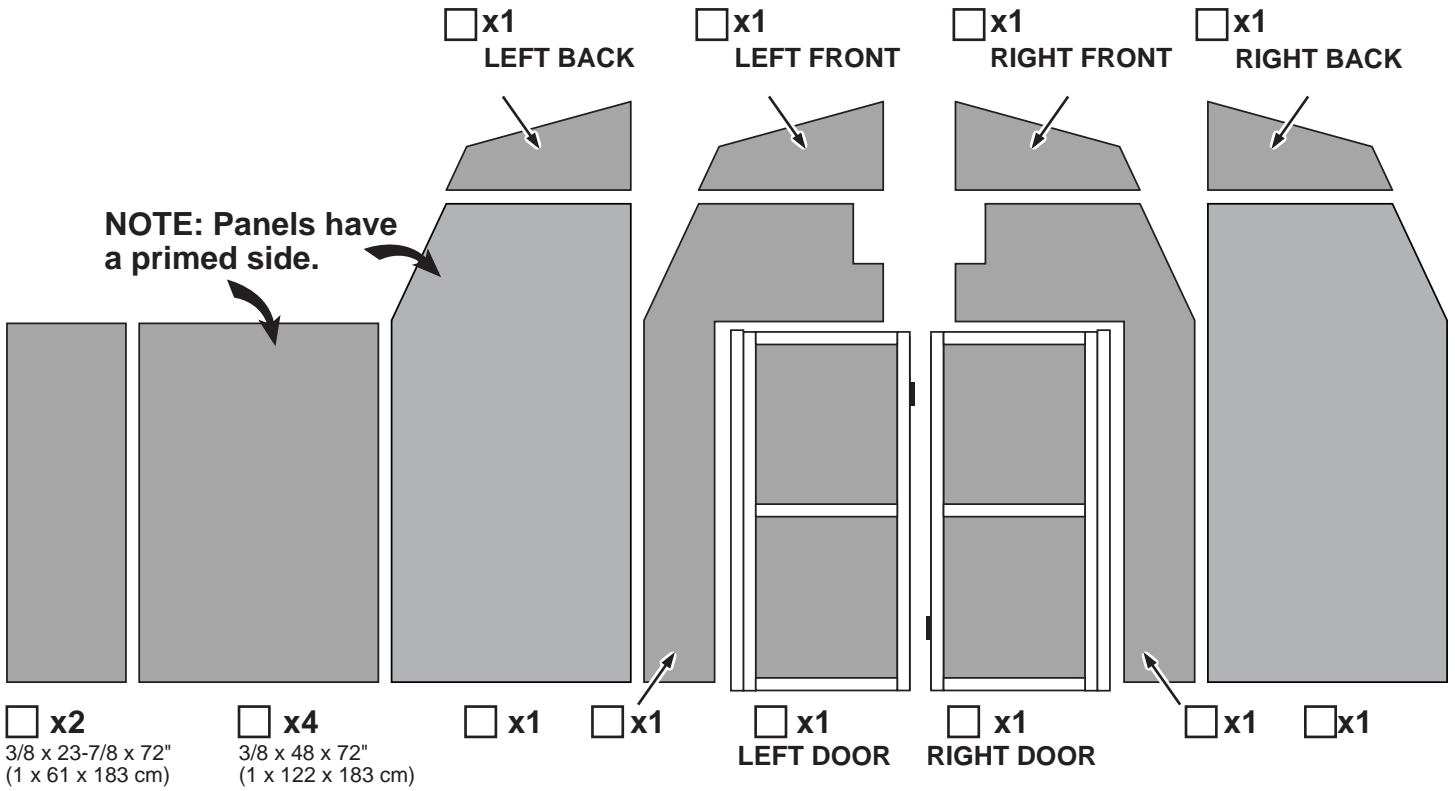
x7



3/4" (19 mm)

NOTES

WALL PANEL & DOORS PARTS LIST



FASTENER/HARDWARE BAG (Shown Actual Size)

- | | | |
|-------------------------------|--|-----------------|
| <input type="checkbox"/> x28 | | 2" (5,0 cm) |
| <input type="checkbox"/> x45 | | 3" (7,6 cm) |
| <input type="checkbox"/> x22 | | 2" (5,0 cm) |
| <input type="checkbox"/> x118 | | 1-1/4" (3,2 cm) |
| <input type="checkbox"/> x71 | | 3/4" (19 mm) |

NOTE:
If you are using a nail gun, nails may be used where screws are shown for quicker assembly. Length of nail must match screw length.

NOTES

MATERIAL NOT INCLUDED (FOR 24" O.C. FLOOR)

FLOOR PANELS

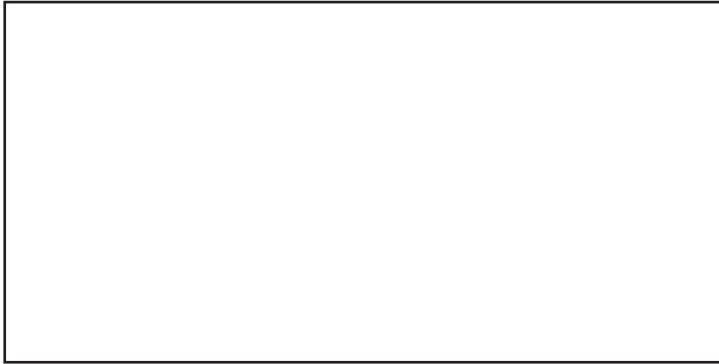
Floor panels are 5/8" (1,6 cm) thick Oriented Strand Board (OSB).

x1



5/8 x 20-5/8 x 96"
(1,6 x 52,4 x 244 cm)

x2

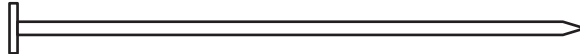


5/8 x 48 x 96"
(1,6 x 122 x 244 cm)

NAIL BOXES

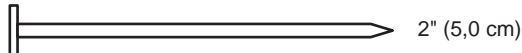
(Shown Actual Size)

x2 BOXES



3" (7,6 cm)

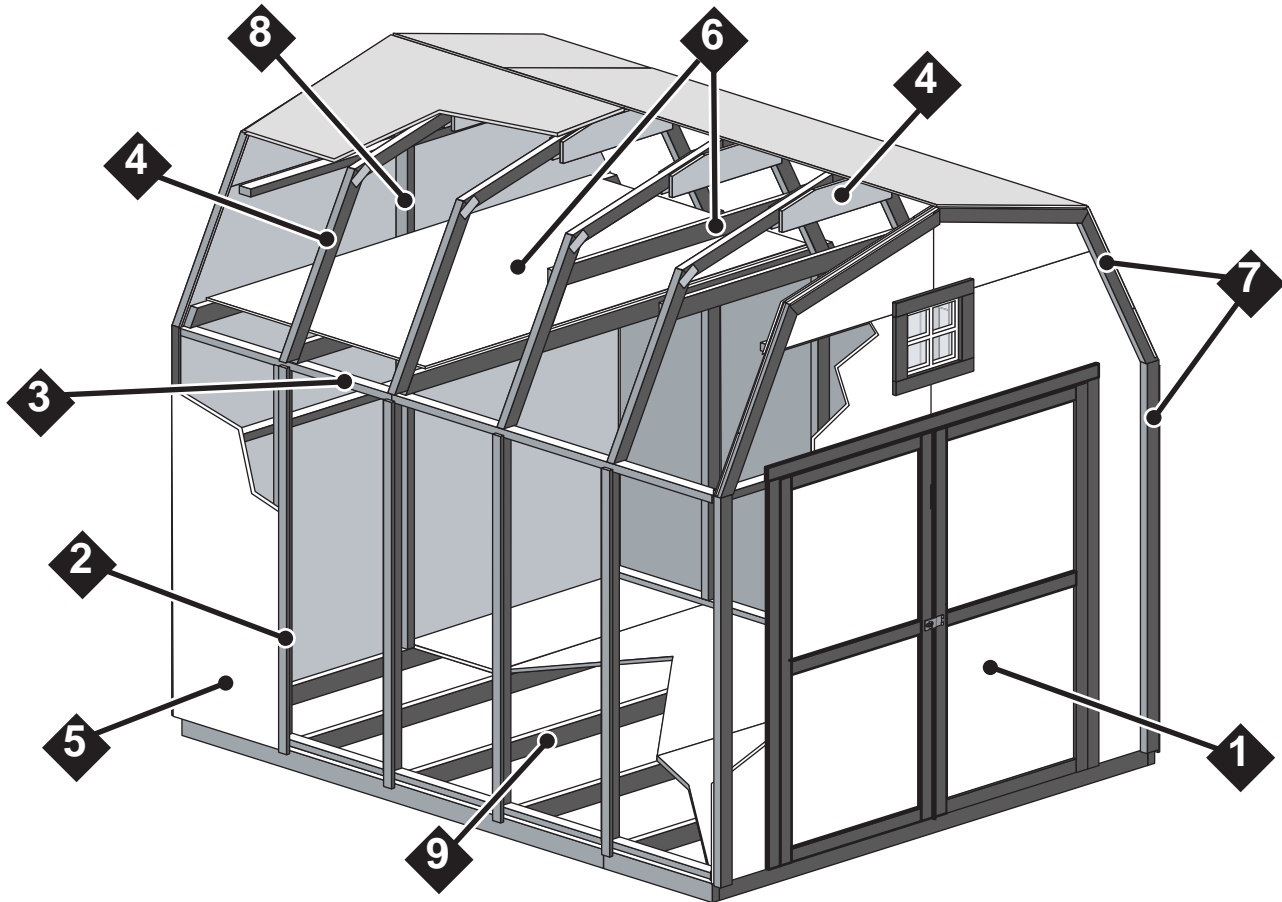
x5 BOXES



2" (5,0 cm)

NOTES

BUILDING ANATOMY



This building has been designed using our patented EZ Frame construction method. EZ Frame is a unique construction method which has been engineered to use fewer framing members. This reduces assembly time and cost by as much as 30% compared to conventional construction methods. EZ Frame patent no. 5,666,766

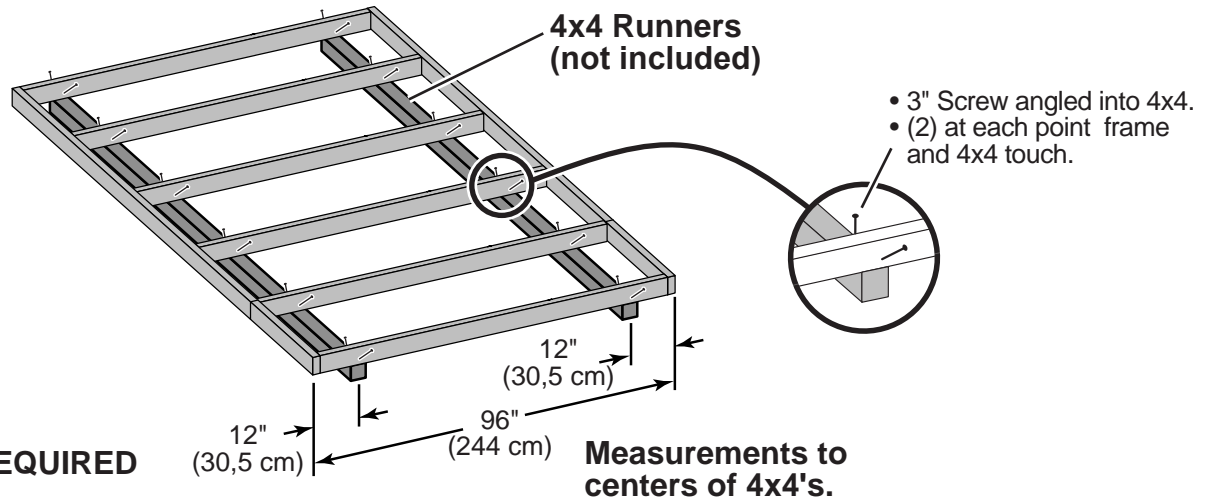
All of our buildings have been engineered to withstand demanding wind and snow loads. If you live in an area with extreme wind/snow load requirement, contact us and we can assist with engineering to meet your local codes.

- ❖ 1 Sub-assembled doors.
- ❖ 2 2x3 wall studs have been engineered to support roof load and to meet demanding wind loads.
- ❖ 3 Sidewall top plates tie wall studs together and provide nailing support for top and bottom edge of siding.
- ❖ 4 Rafters line up over wall studs to effectively transfer roof load to the floor and eliminate need for double top plate. Oversized wood gussets at peak provide a strong connection for rafter halves.
- ❖ 5 Treated siding overhangs the wall framing and floor to keep the elements out.
- ❖ 6 Collar ties and storage loft tie sidewalls together to prevent spreading under heavy roof loads.
- ❖ 7 Corner studs & end rafters are positioned to the outside of the siding where they serve the dual purpose of framing and trim.
- ❖ 8 The EZ Frame design transfers the roof load to the side walls allowing for reduced framing at the front and back wall.
- ❖ 9 Floor frame and deck not included.

FLOOR LEVELING OPTIONS

There are multiple ways to level your floor frame. Our recommended leveling method is shown below.
Leveling materials are not included in this kit.

PREFERRED METHOD - 4x4 TREATED RUNNERS



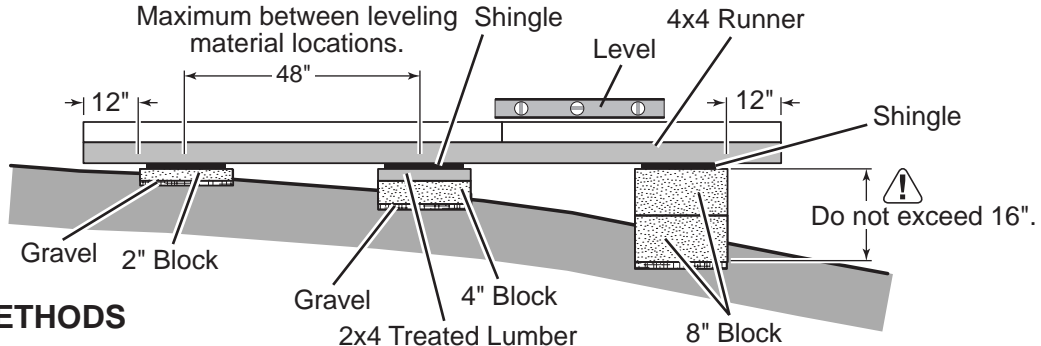
MATERIAL REQUIRED

x2 4" x 4" x 10' (10 x 10 x 305 cm) Treated Lumber

Fasteners for Frame to 4" x 4".
(3" Screws shown as one option.) Minimum (24) 3" screws / exterior grade.

⚠ Use only wood treated for ground contact and fasteners approved for use with treated wood.

⚠ Always support frame seams.



LEVELING METHODS

- Level under 4x4 runners only.
- Locate leveling material 12" from ends of runners and no more than 48" apart.
- Asphalt shingles should be used between 4x4 runners and blocks or treated lumber. Never use shingles in direct contact with ground.
- For best results and aiding in water drainage use gravel under each concrete block.

LEVELING MATERIALS

- Gravel
- Solid Masonry Blocks in 1", 2", 4" or 8" thickness
- 2x4 Treated Lumber
- Asphalt Shingles

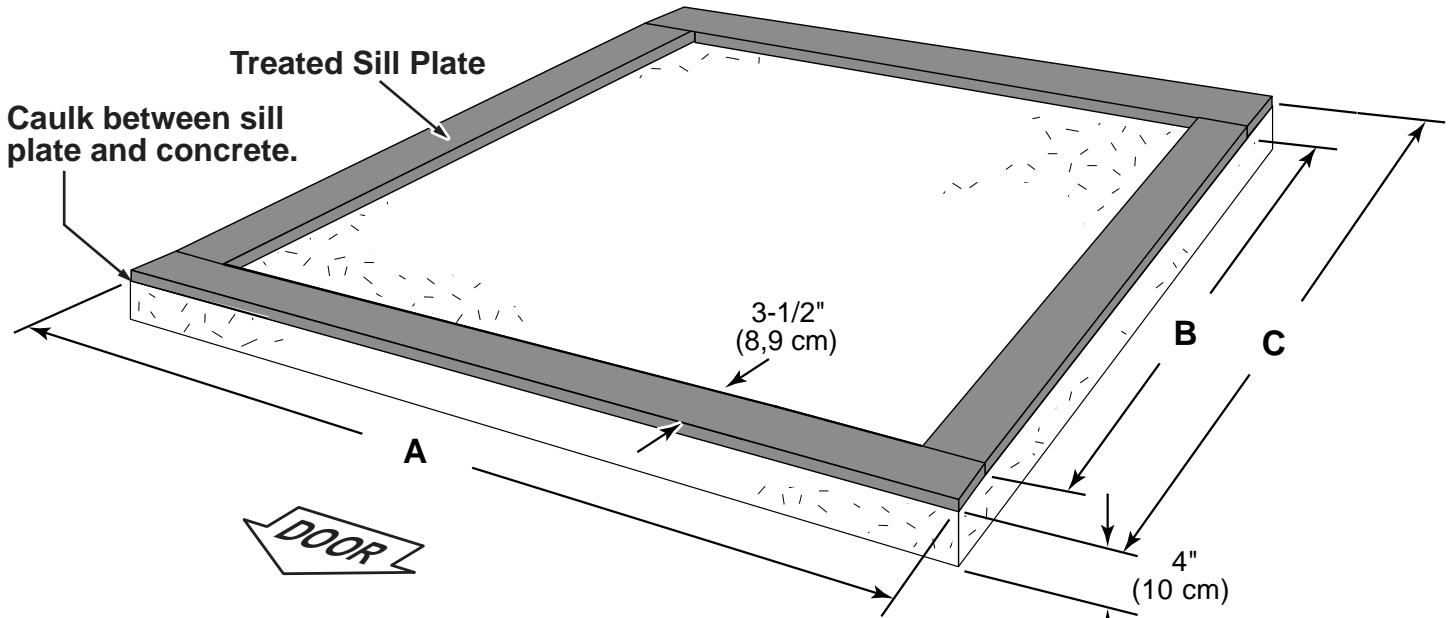
⚠ Leveling higher than 16" not recommended.

CONCRETE

- If you are building your shed on a concrete foundation see the following page.

CONCRETE FOUNDATION

Your kit contains all materials to construct a wooden floor. If you choose to install your kit on a concrete slab refer to the diagram below.



Building Size	Actual Floor Size	A	B	C
8' x 10' (244 x 305 cm)	8' x 9'-8-5/8" (244 x 296 cm)	96" (244 cm)	109-5/8" (278 cm)	116-5/8" (296 cm)

Requires:

- x2** 2 x 4 x 10' (5 x 10 x 305 cm) **MUST be treated lumber.**
- x2** 2 x 4 x 8' (5 x 10 x 244 cm) **MUST be treated lumber.**
- x1** **Caulk**

Allow new concrete slabs to cure for at least seven (7) days.

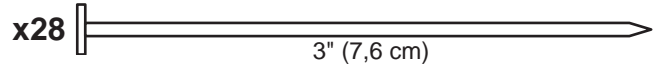
- A treated 2 x 4" (5 x 10 cm) sill plate is required when installing your shed on concrete. **Hint: Use treated lumber in your kit or purchase full length treated lumber.**
- Use a high quality exterior grade caulk beneath all sill plates.
- Fasten 2 x 4" (5 x 10 cm) sill plates to slab using approved concrete anchors (**fasteners not included**).
- Check local code for concrete foundation requirements.

NOTES

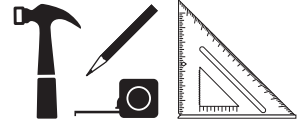
FLOOR FRAME

PARTS REQUIRED:

- x2** [TREATED] 2 x 4 x 24" (5 x 10 x 61 cm)
- x6** [TREATED] 2 x 4 x 93" (5 x 10 x 236 cm)
- x2** [TREATED] 2 x 4 x 92-5/8" (5 x 10 x 235,3 cm)



**NOTE: Look for
TREATED
Stamp.**



✓ BEGIN

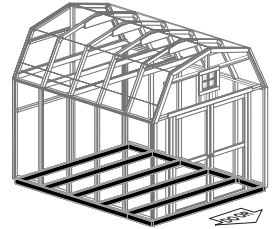
1 Orient parts as shown on flat surface. Measure and mark from end of boards.

2 Use two 3" nails at each mark.

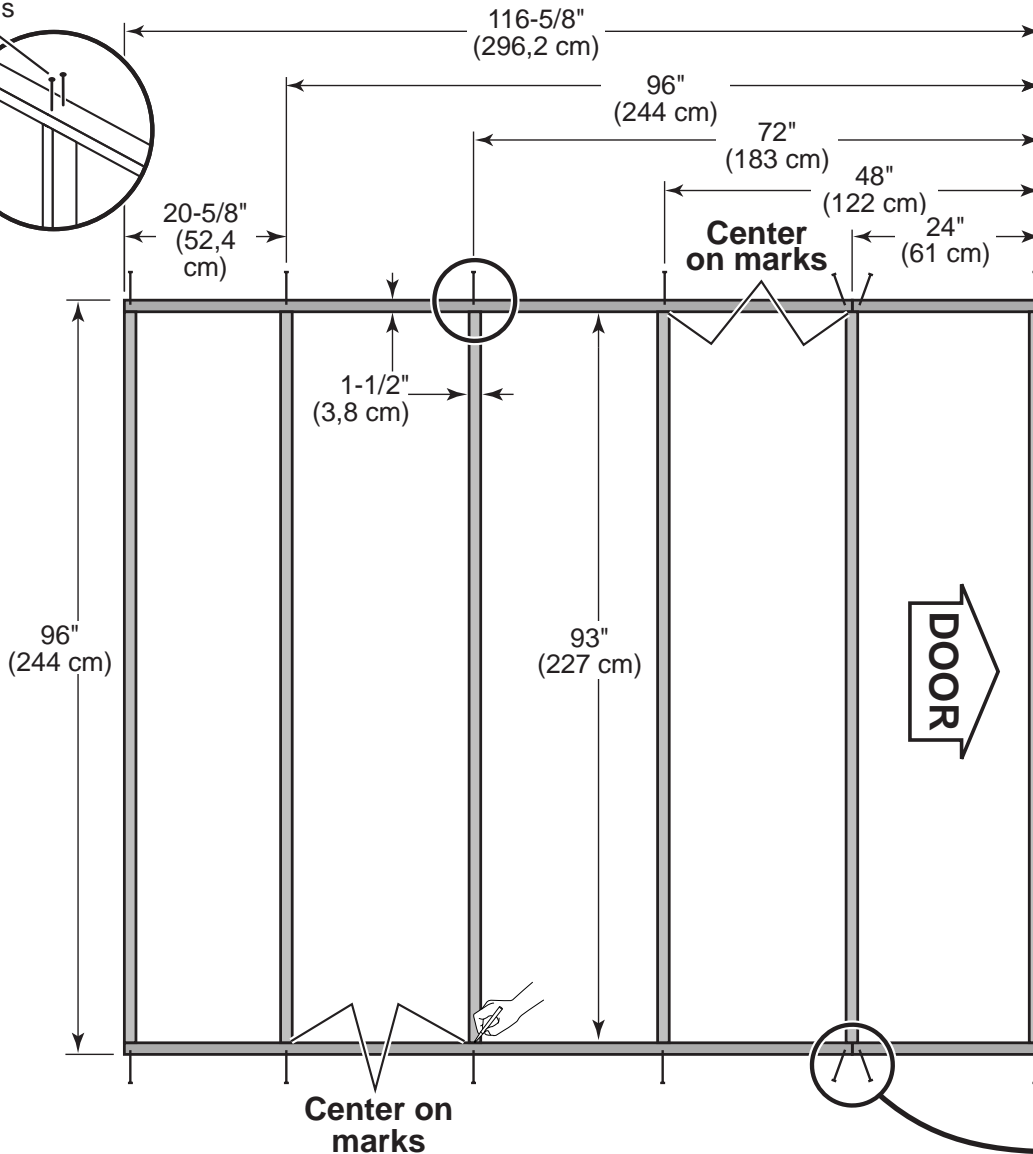
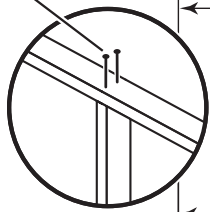


FINISH

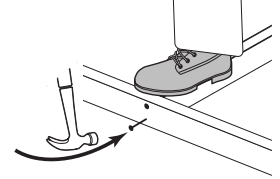
3 You have finished your floor frame. Proceed to level and square frame.



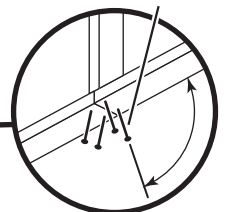
(2) 3" (7,6 cm) Nails



HINT:
For easier nailing
stand on frame.



(4) 3" (7,6 cm) Nails



FLOOR FRAME

STOP!



LEVEL AND SQUARE FLOOR FRAME



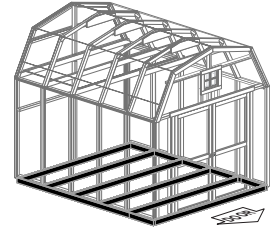
STOP!

Before attaching floor decking, it is important to level and square the floor frame.
A level and square floor frame is required to correctly construct your shed.



✓ BEGIN

- 1 See page 8 for the preferred floor leveling method.
- 2 Use level and check the frame is level before applying floor panels.
- 3 Check for frame squareness by measuring diagonally across corners. If the measurements are the same, the frame is square. The diagonal measurement will be approximately 151" (385,5 cm).
- 4 When the frame is level and square secure one side of frame to the 4x4 runners using one fastener at ends of each runner. At the opposite end of the frame, secure the frame to 4x4 runners with one fastener at ends of each runner making sure the frame remains square (**Fig. A**).



FINISH

- 5 Once the floor frame is level and square fasten the frame at each point the frame contacts the 4x4 runners.

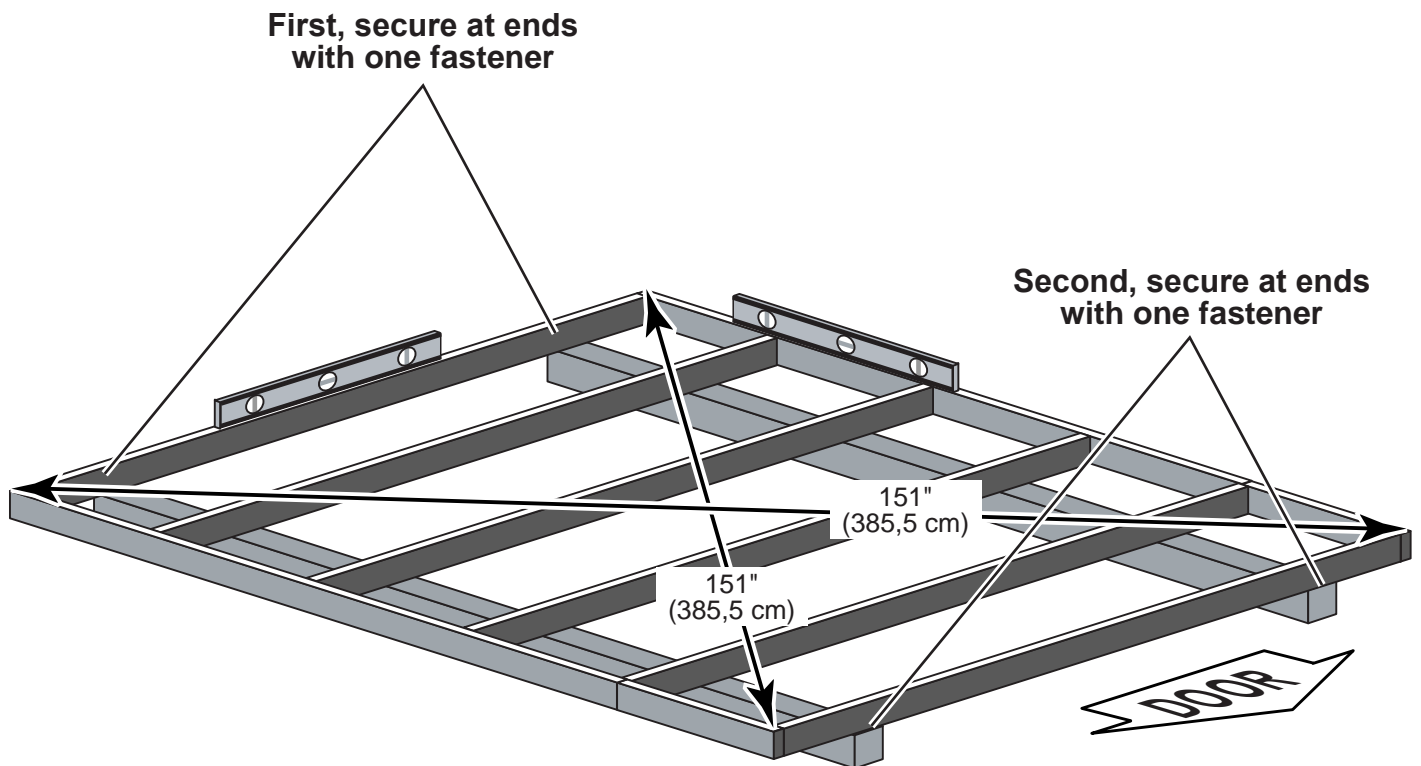
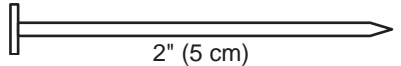



Fig. A

FLOOR PANELS (Not included)

PARTS REQUIRED:

x55  2" (5 cm)

x1  5/8 x 48 x 96"
(1,6 x 122 x 244 cm)

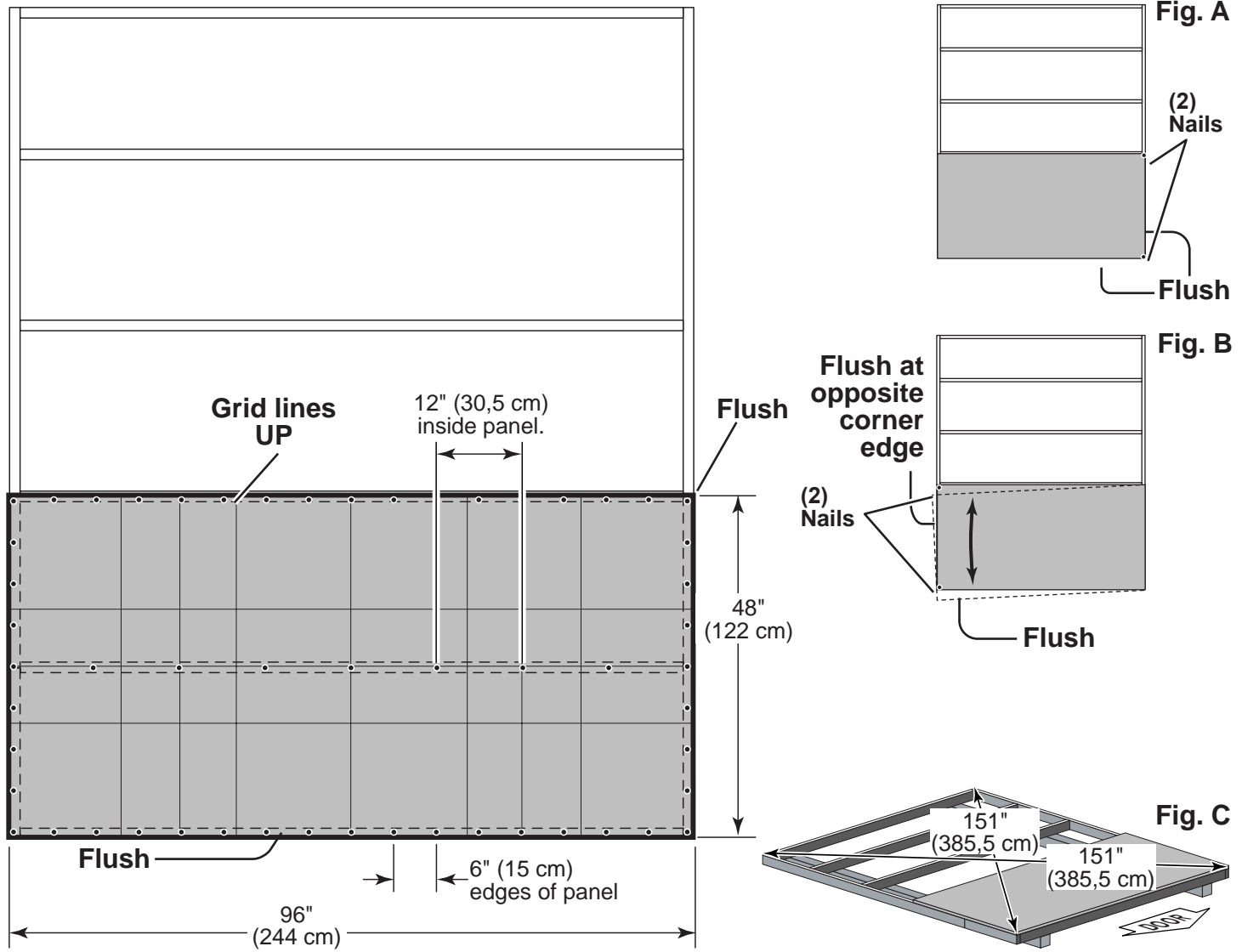
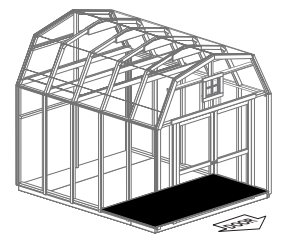
 **Floor panels not included.**
See page 3 for panel sizes and quantities.



 **Ensure your floor frame is square by installing one panel and squaring frame.**

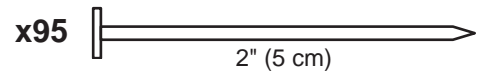
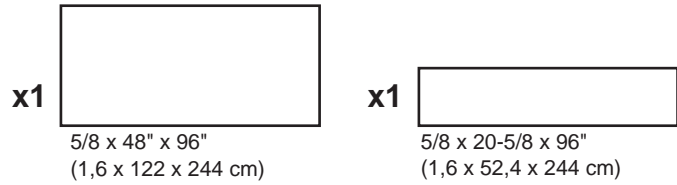
BEGIN

- 1** Attach the 48 x 96" panel with the rough side up (painted-grid lines side) with the 48" edge and corner flush to the floor frame (**Fig. A**). Secure panel with two 2" nails in the corners.
- 2** Move to the opposite end. Using the long edge of the panel as a lever move the panel side-to-side until the top corner is flush to the floor frame (**Fig. B**). Secure panel with two 2" nails in the corners.
- 3** Check the floor frame is square by measuring diagonally across the frame corners. If the measurements are the same your floor frame is square. The measurement will be approximately 151" (385,5 cm) (**Fig. C**).
- 4** Continue attaching the panel using 2" nails 6" apart on edges and 12" apart inside panel. Use a chalk line or use pre-painted grid lines to nail into joists under panel.

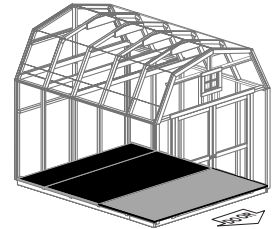


FLOOR PANELS (Not included)

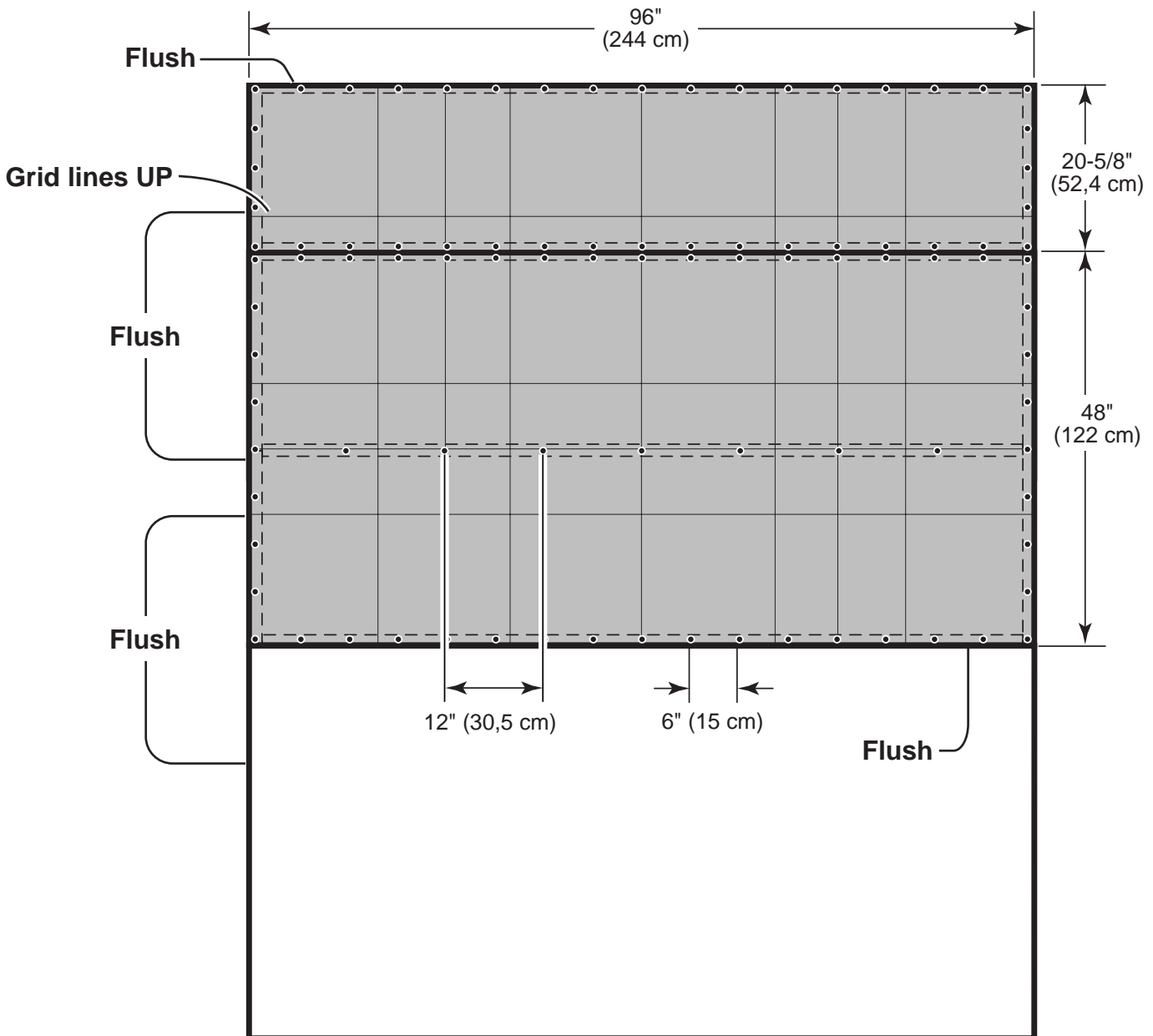
PARTS REQUIRED:



- 5 Continue installing panels with rough side up (painted grid lines).
- 6 Use a chalk line or grid lines on panels for 2" nails 6" apart on edges and 12" apart inside panel.



- 7 You have finished installing your floor panels.

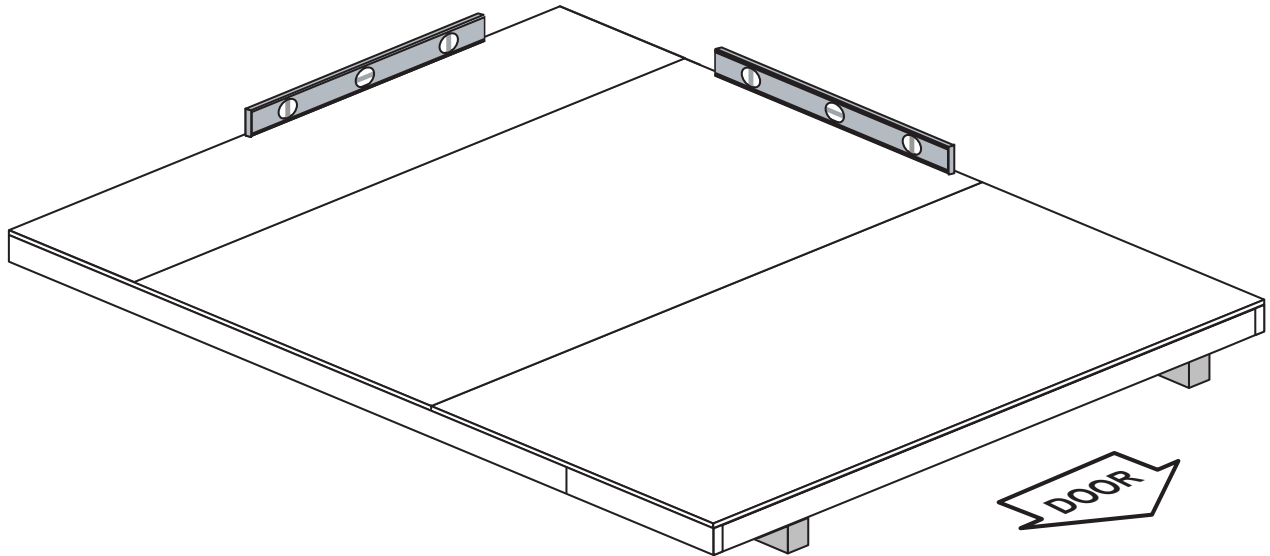




IMPORTANT!



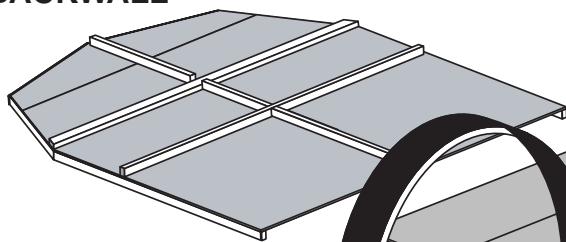
Check the floor frame is level after installing floor panels. Re-level if needed.



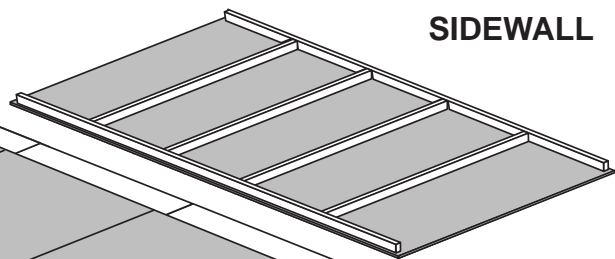
• The floor should be used as a stable work surface for wall construction.

HINT: • Organize your assembly procedure during the build process to avoid over-handling of the walls.

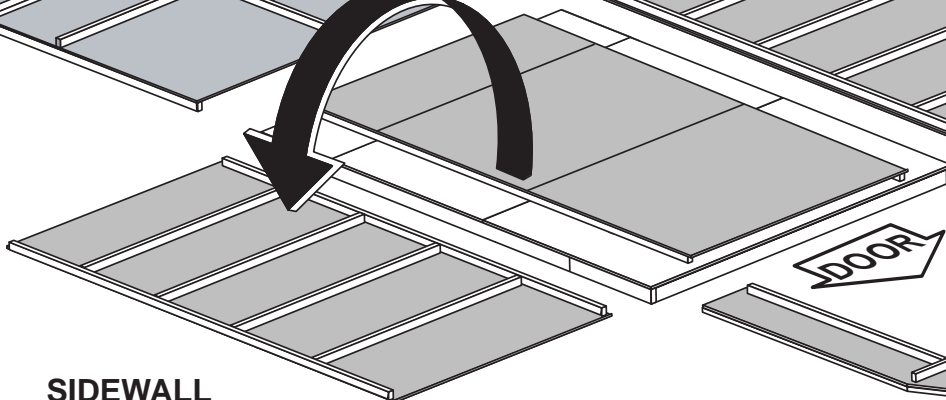
BACKWALL



SIDEWALL

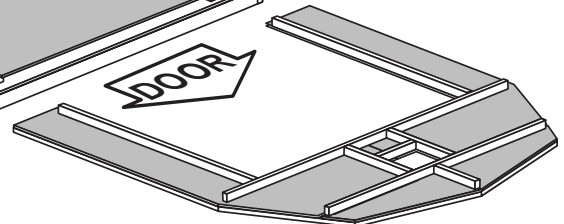


SIDEWALL



DOOR

FRONTWALL

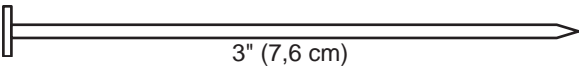


BACK WALL FRAME

PARTS REQUIRED:

x1 **NK**
2 x 3 x 48" (5 x 7,6 x 144 cm)

x1 **PT**
2 x 3 x 96" (5 x 7,6 x 243,8 cm)

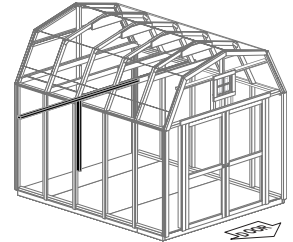
x2  3" (7,6 cm)



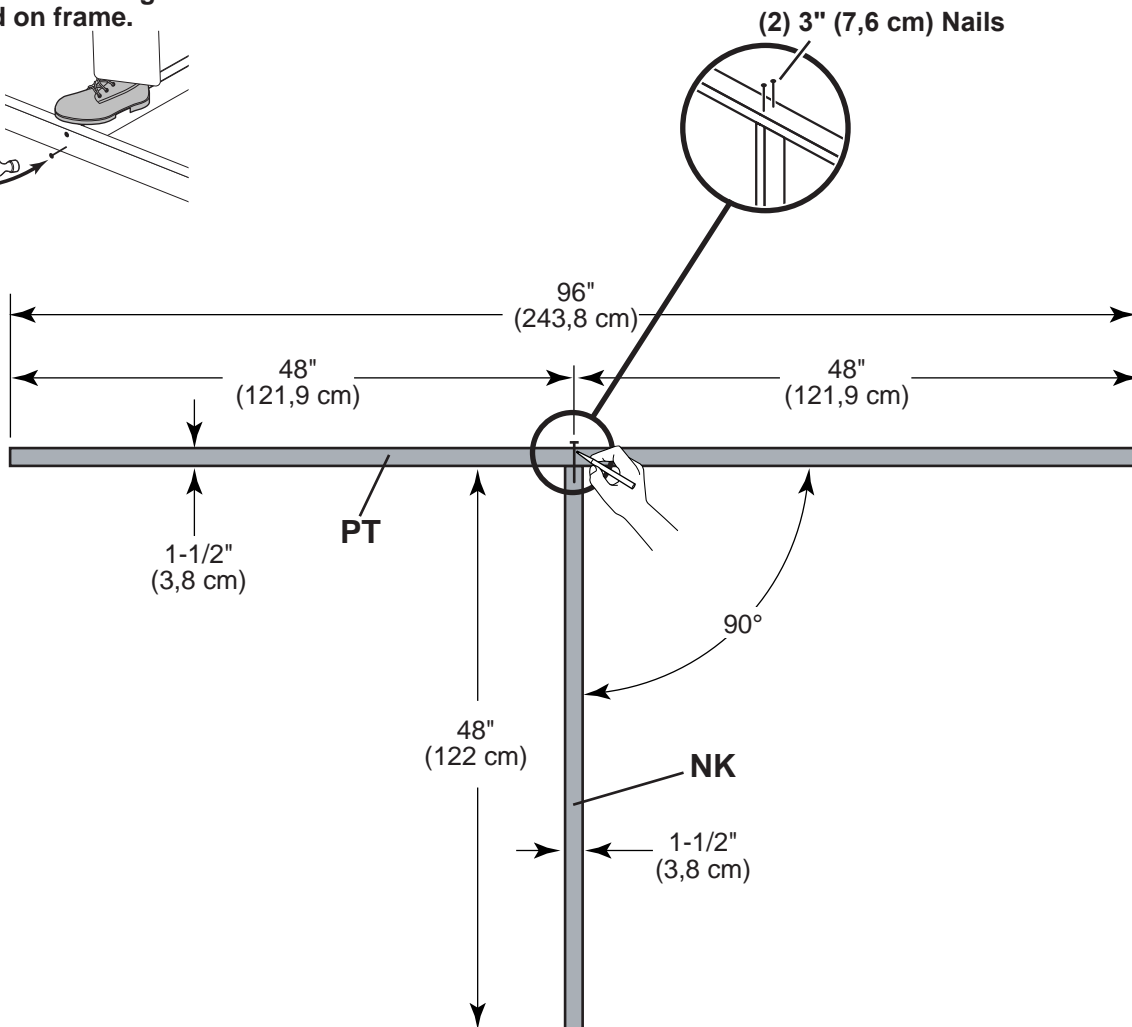
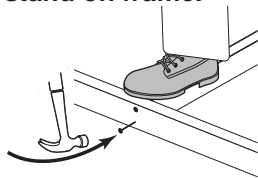
✓ BEGIN

1 Orient parts on edge on floor as shown.
Measure and mark.

2 Nail using two 3" nails at connection.




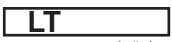
HINT:
For easier nailing
stand on frame.

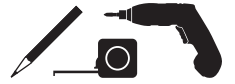


BACK WALL FRAME

PARTS REQUIRED:

x2  3" (7,6 cm)

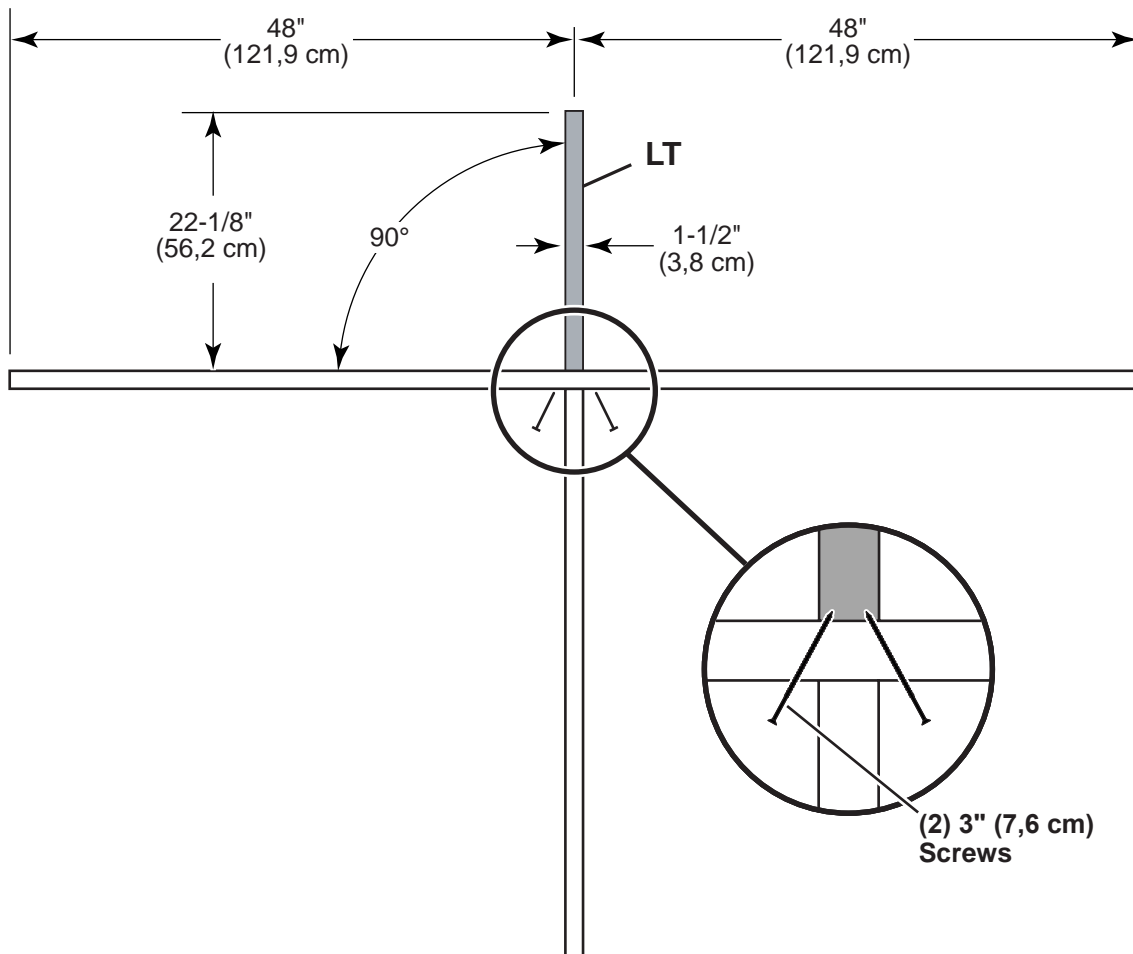
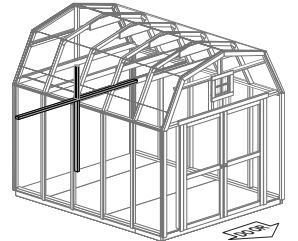
x1  **LT**
2 x 3 x 22-1/8" (5 x 7,6 x 56,2 cm)



- 3 Orient parts on edge on floor as shown.
- 4 Use two 3" screws at middle connection.

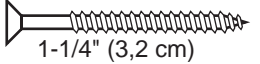


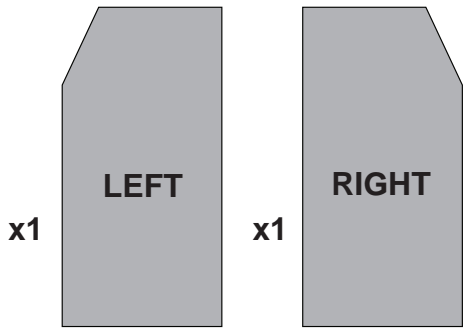
- 5 You have finished building your back wall frame.



BACK WALL PANELS

PARTS REQUIRED:

x24  1-1/4" (3,2 cm)



x1


x1

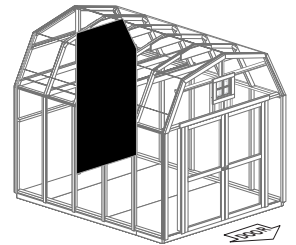
x2 **OB**
2 x 3 x 72-5/8" (5 x 7,6 x 184,5 cm)

x1 **OO**
2 x 3 x 69" (5 x 7,6 x 175,3 cm) TEMPORARY SUPPORT



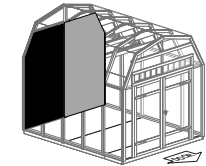
✓ BEGIN

- 1 Place **OB** on floor.  Place the left back wall panel primed side down onto **OB** (Fig. A) and flush to panel edges as shown.
- 2 Secure flush to edges using twelve 1-1/4" (3 cm) screws 6" apart.
- 3 Repeat Steps 1-2 to assemble the right back wall panel.

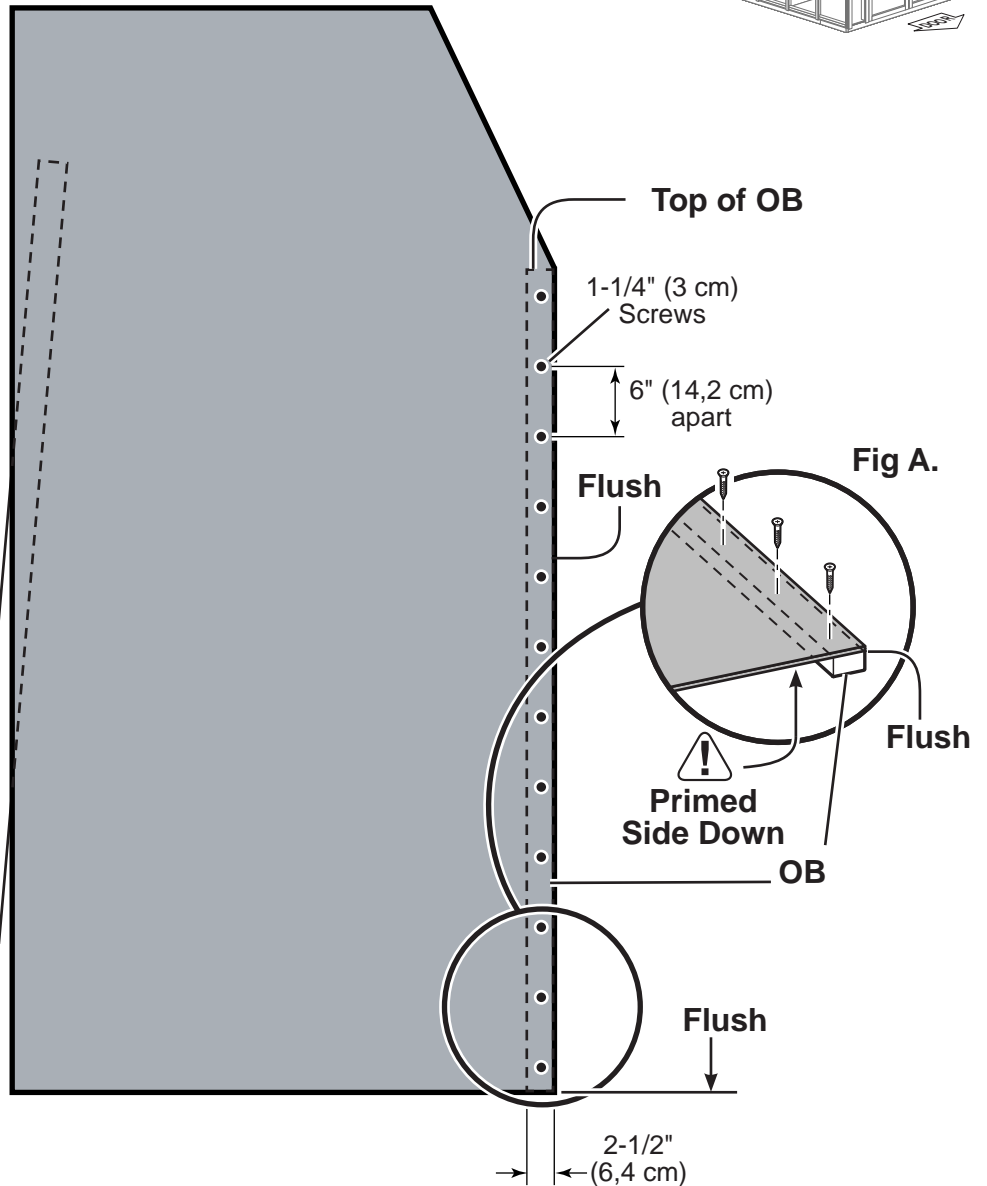


FINISH

- 4 You have finished building your back wall panels.



Use 2 x 3 for temporary support




INSTALL BACK WALL JOIST

PARTS REQUIRED:

x1 **OO**
2 x 3 x 69" (5 x 7,6 x 175,3 cm) **TEMPORARY SUPPORT**

x1 **VW**
1 x 4 x 96" (2,5 x 10 x 243,8 cm)

x6 
1-1/4" (3,2 cm)



✓ BEGIN

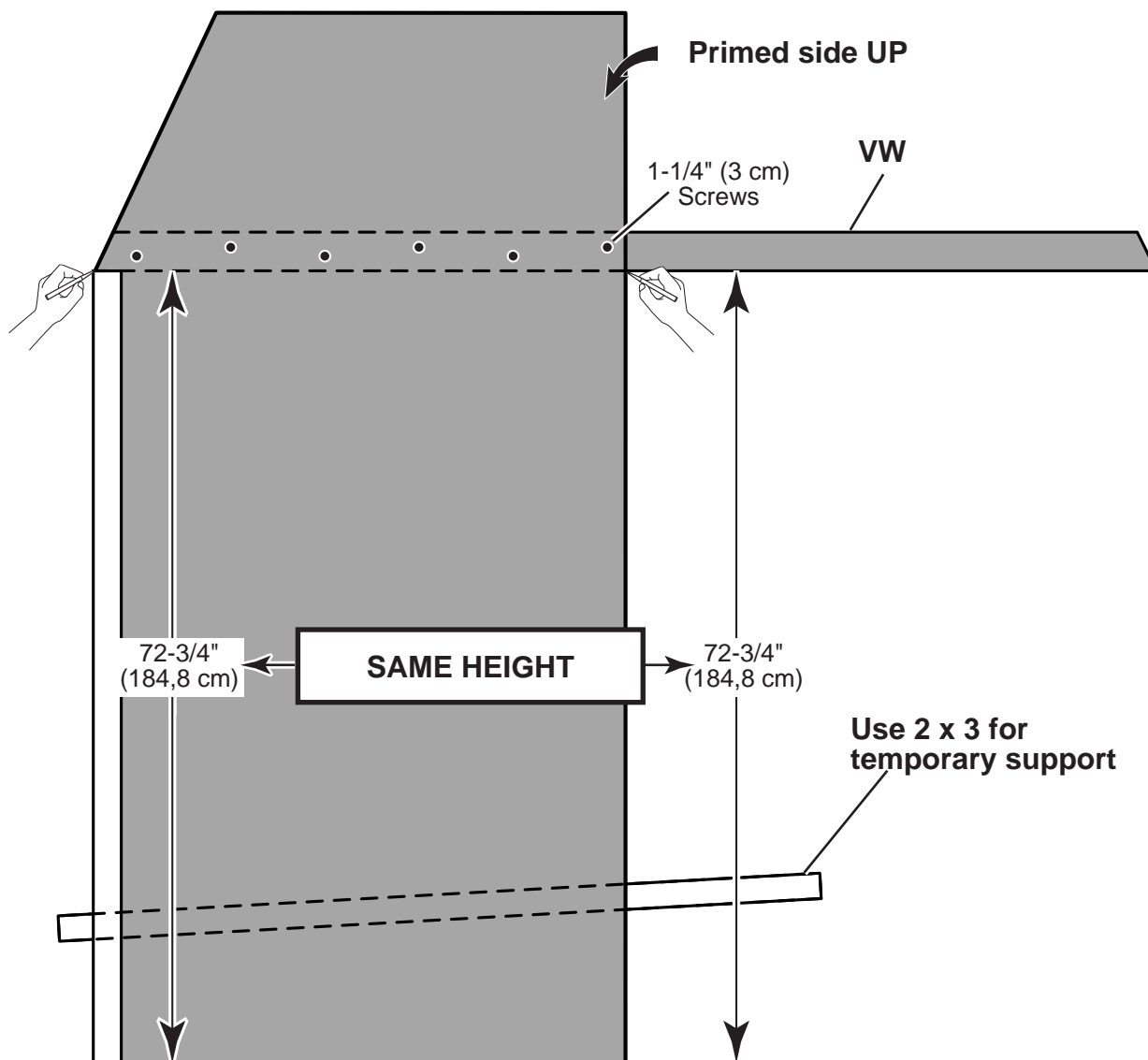
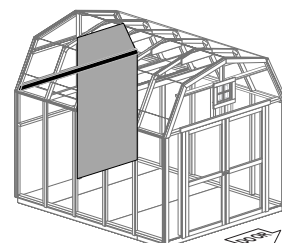
1 Place **VW** on floor.

 Place the left back wall panel primed side up onto **VW** as shown.

Measure and mark for correct placement.

2 Secure using six 1-1/4" (3 cm) screws as shown.

Continue to build the back wall

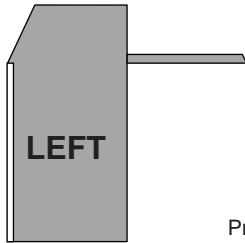


BACK WALL PANELS

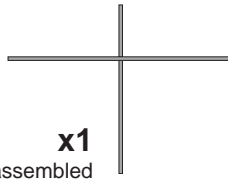
PARTS REQUIRED:

x1 **DU**
2 x 3 x 36" (5 x 7,6 x 91,4 cm)

x1
Pre-assembled



x1
Pre-assembled



x21
2" (5 cm)

GAA
3/4" GAUGE
BLOCK



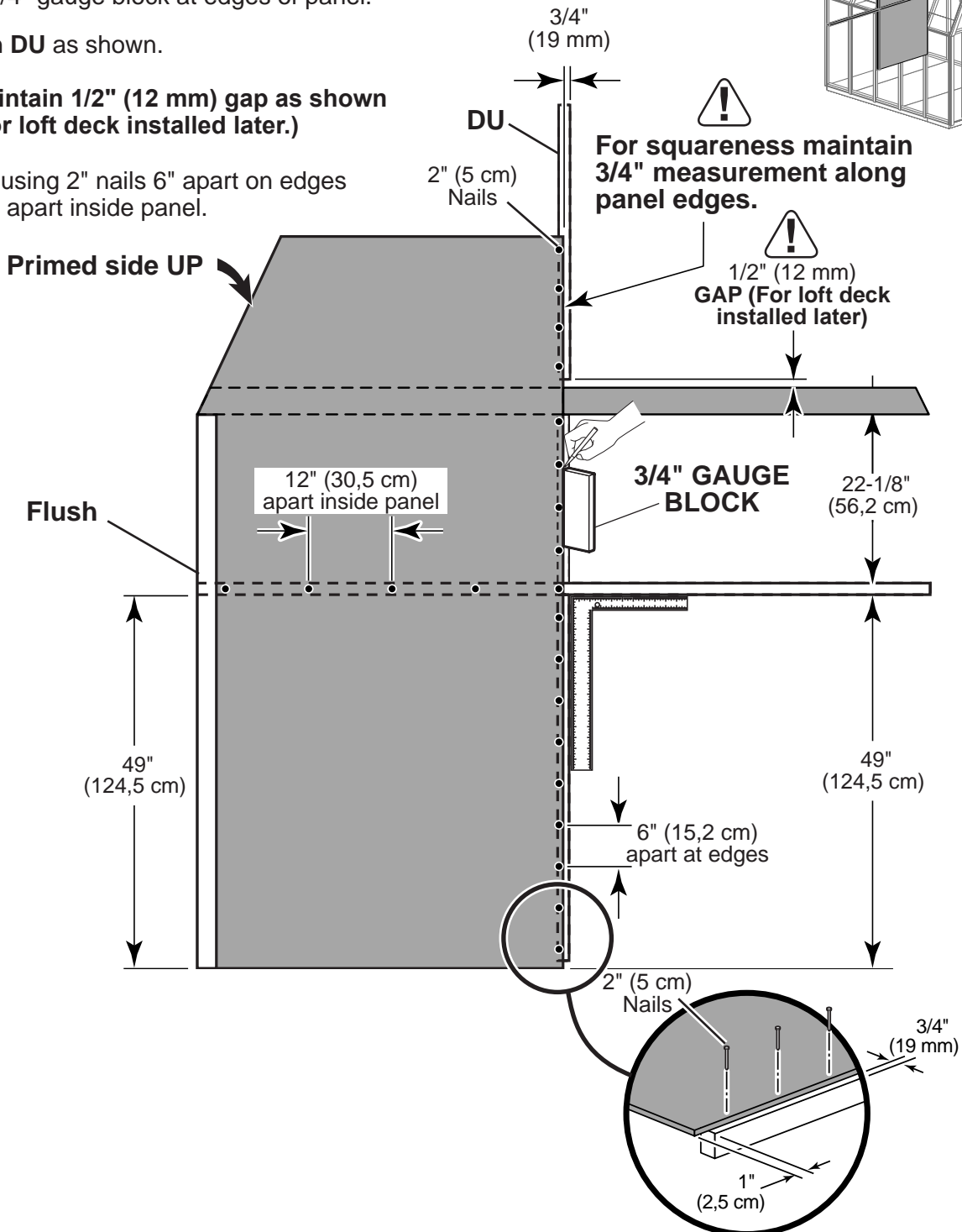
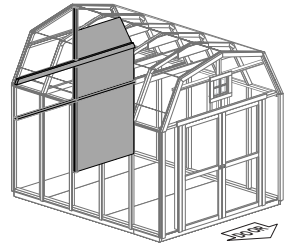
3 Place **LEFT** panel on **BACK WALL FRAME** as shown with primed side facing up.

Use a 3/4" gauge block at edges of panel.

4 Position **DU** as shown.

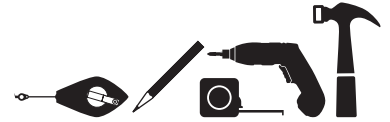
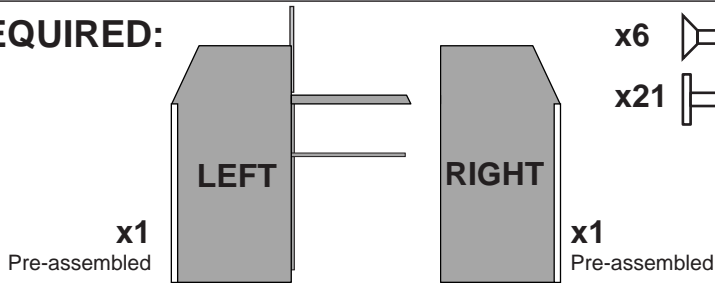
! Maintain 1/2" (12 mm) gap as shown
(For loft deck installed later.)

5 Secure using 2" nails 6" apart on edges
and 12" apart inside panel.

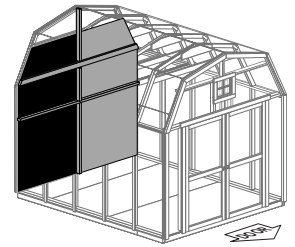


BACK WALL PANELS

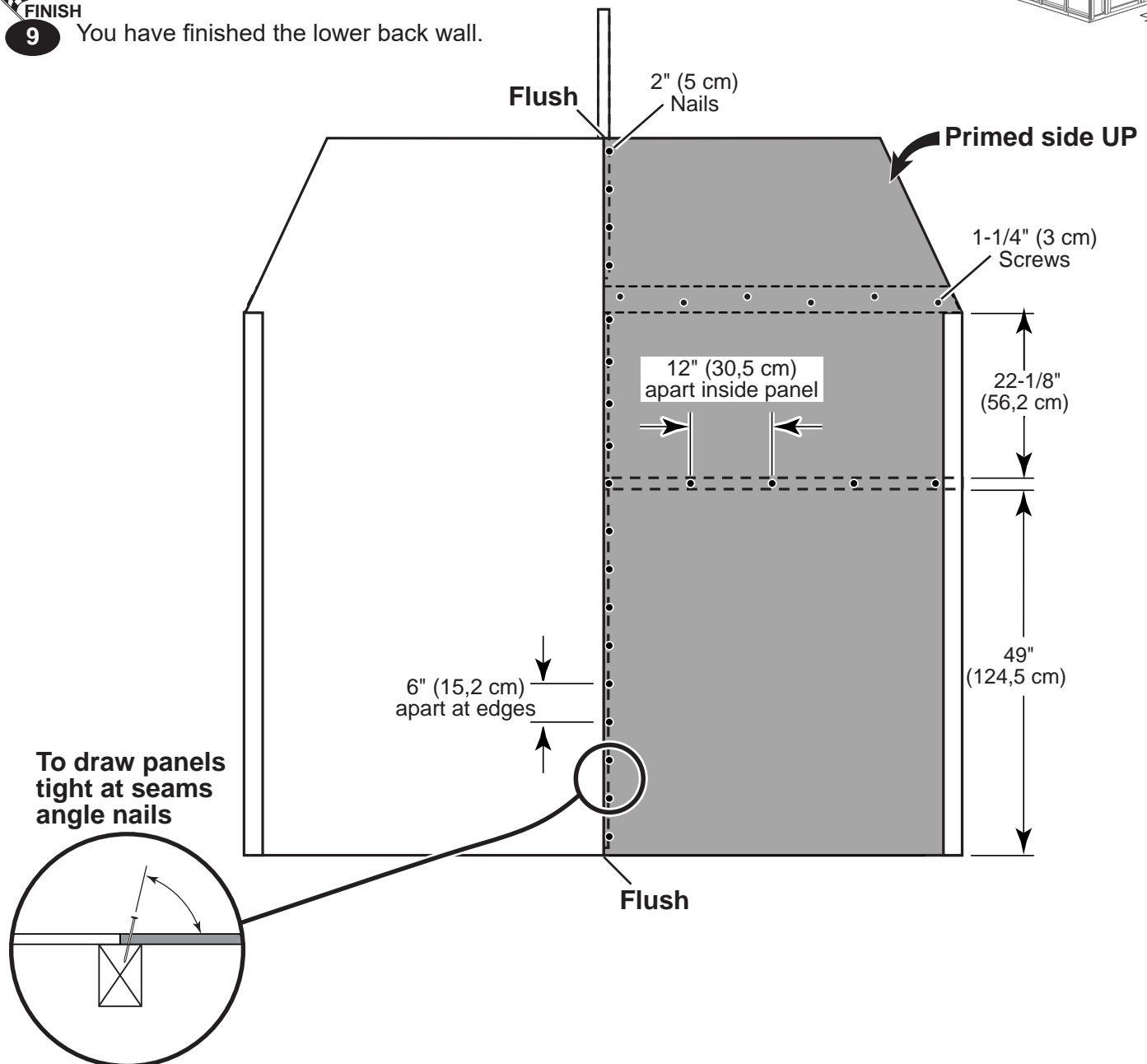
PARTS REQUIRED:



- 6 Place RIGHT panel on back frame as shown with primed side facing up.
- 7 Secure using 2" nails 6" apart on edges and 12" apart inside panel.
- 8 Secure VW using six 1-1/4" (3 cm) screws as shown.




- 9 You have finished the lower back wall.

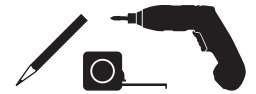
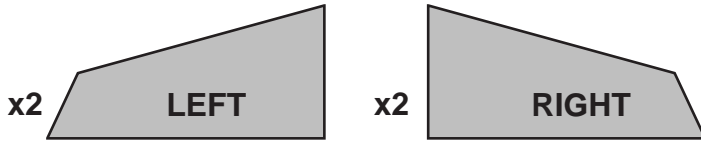


GABLE PANELS AND TRIM

PARTS REQUIRED:

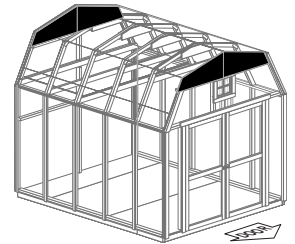
x4 **NX** 2 x 3 x 35-7/16" (5 x 7,6 x 90 cm)

x24  1-1/4" (3 cm)



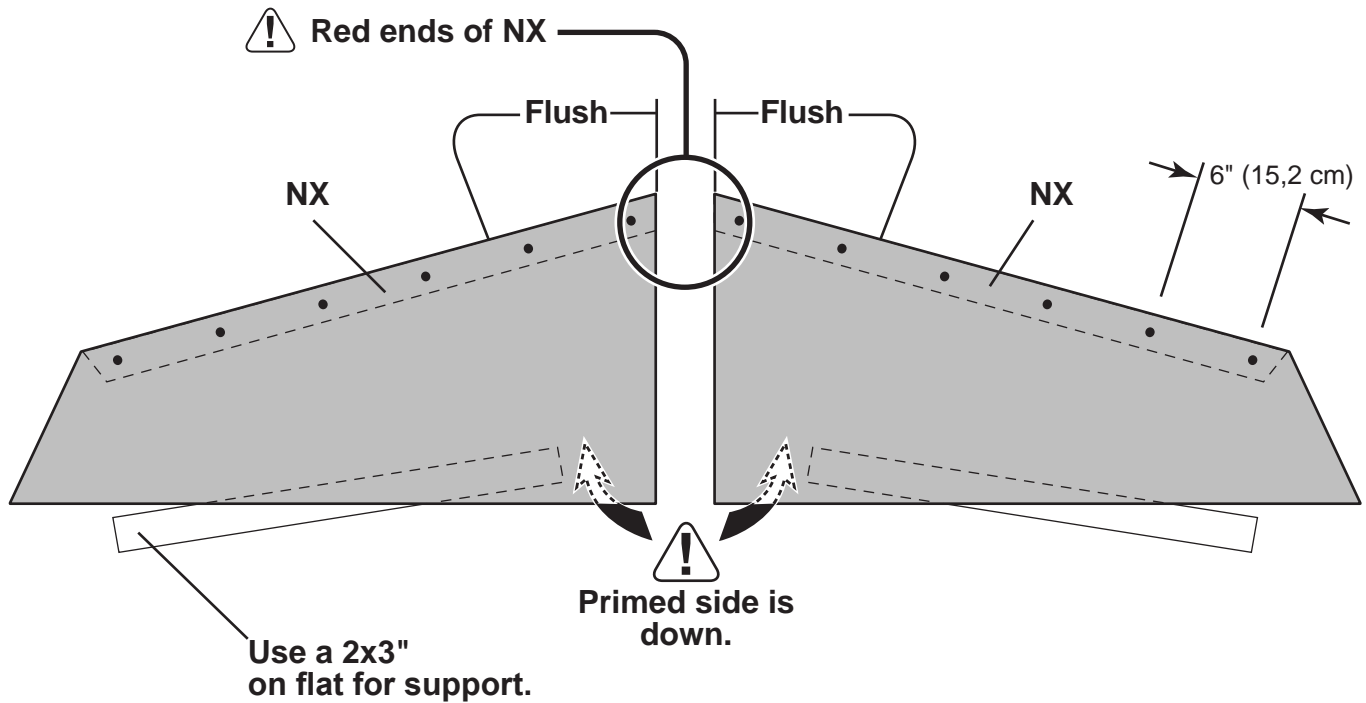
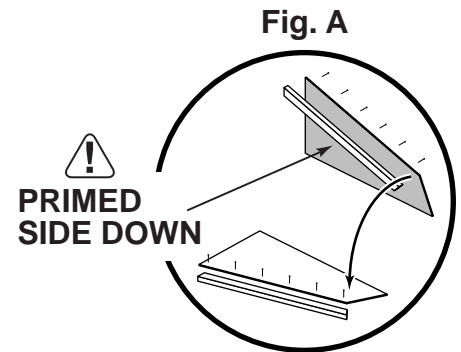
✓ BEGIN

- 1 You will be attaching trim **NX** from the backside of the gable panels (**Fig. A**). You will assemble **TWO RIGHT** and **TWO LEFT** assemblies.
- 2 Place trim **NX** on floor. ⚠ **Orient red ends to top.**
- 3 Place a left or right gable panel onto trim **primed side down** (**Fig.A**).
- 4 Locate trim **NX** flush to edges and secure with six 1-1/4" screws 6" apart.
- 5 Repeat steps 1-4 to assemble two left and two right assemblies.



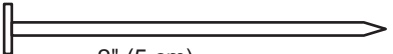
🏁 FINISH

- 6 You have finished building two sets of gable panel assemblies. Set one left and one right aside. Continue building your back wall.

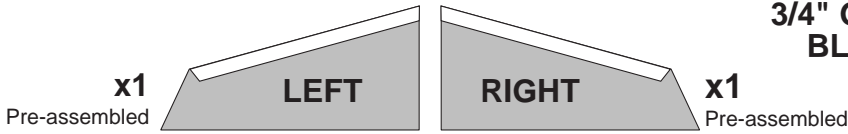


BACK WALL GABLE PANELS INSTALL

PARTS REQUIRED:

x6  2" (5 cm)


3/4" GAUGE
BLOCK

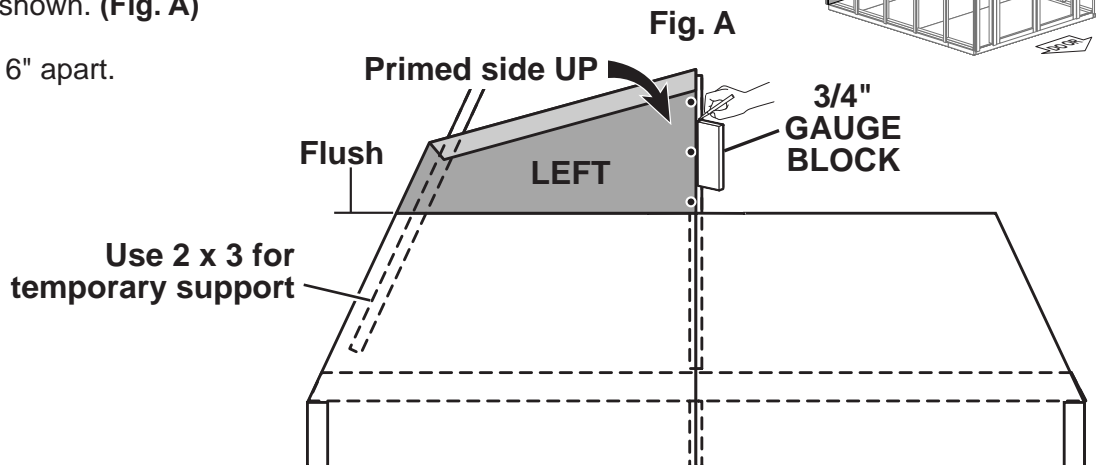


✓ BEGIN

- 1 Position lower back wall and LEFT BACK GABLE **primed side UP** on floor.

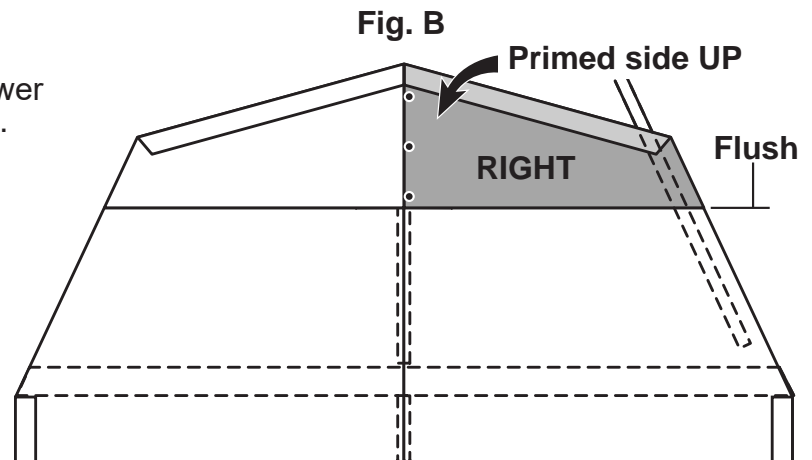
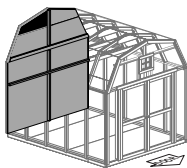
Place flush to top and use a 3/4" gauge block at edge of panel as shown. (Fig. A)

Secure with 2" nails 6" apart.




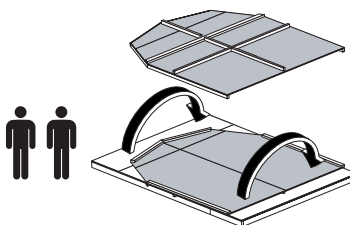
- 2 Place RIGHT BACK GABLE flush to lower back wall and left back gable as shown. (Fig. B)

Secure with 2" nails 6" apart.



Carefully flip the back wall over on the floor.


 Do not lift from the top of the wall.

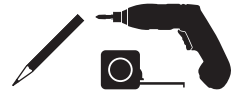


BACK WALL GABLE TRIM

PARTS REQUIRED:

x2 **NY**
2 x 3 x 34-1/8" (5 x 7,6 x 86,7 cm)

x12 
1-1/4" (3 cm)

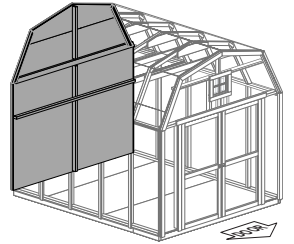


- 3** Place **NY** between existing trim under backwall primed side down and secure with 1-1/4" screws 6" apart. Repeat on other side.

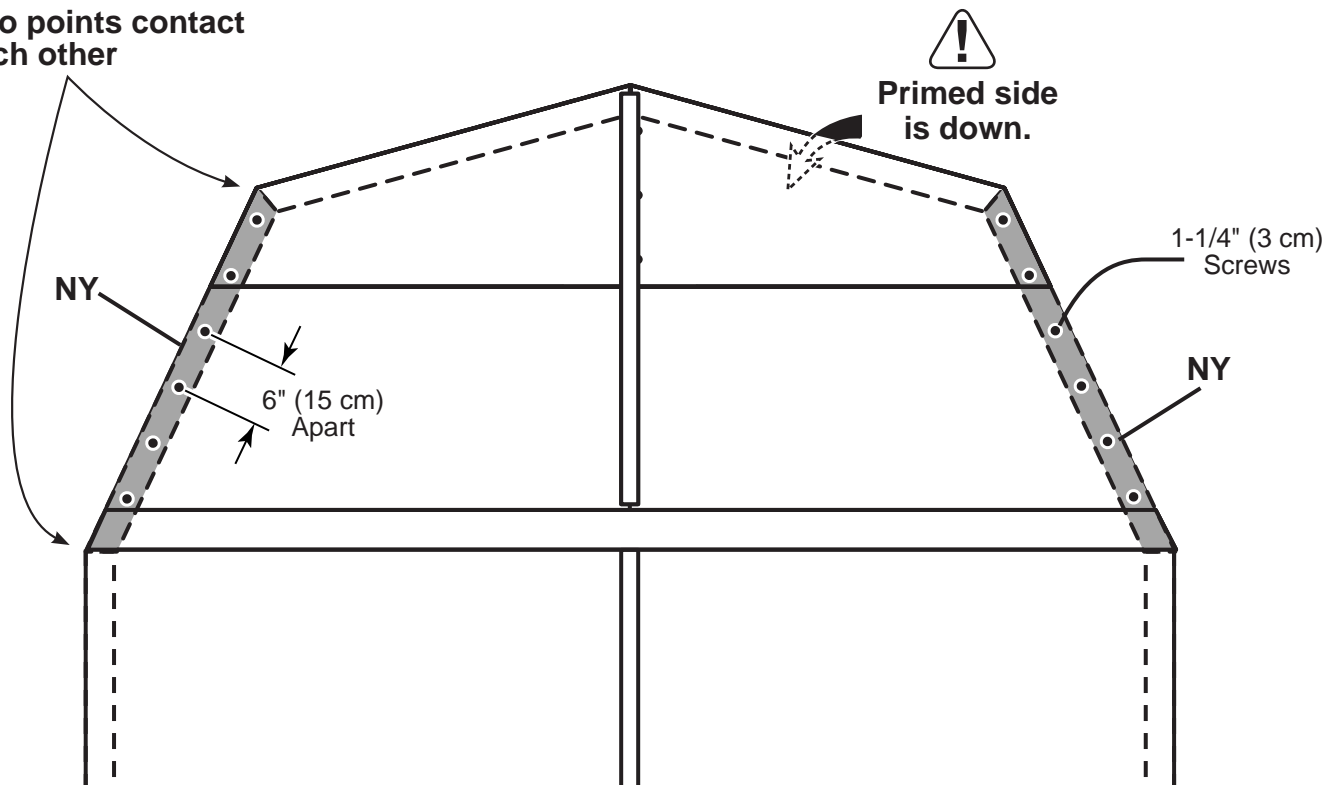


FINISH

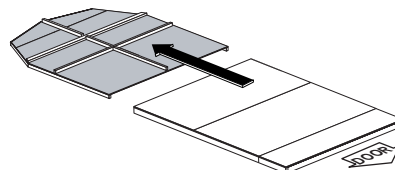
- 4** You have finished building your backwall.



Two points contact each other



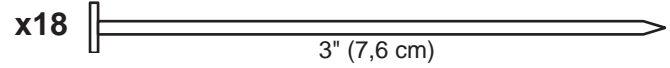
Carefully slide the back wall off the floor.



FRONT WALL FRAME

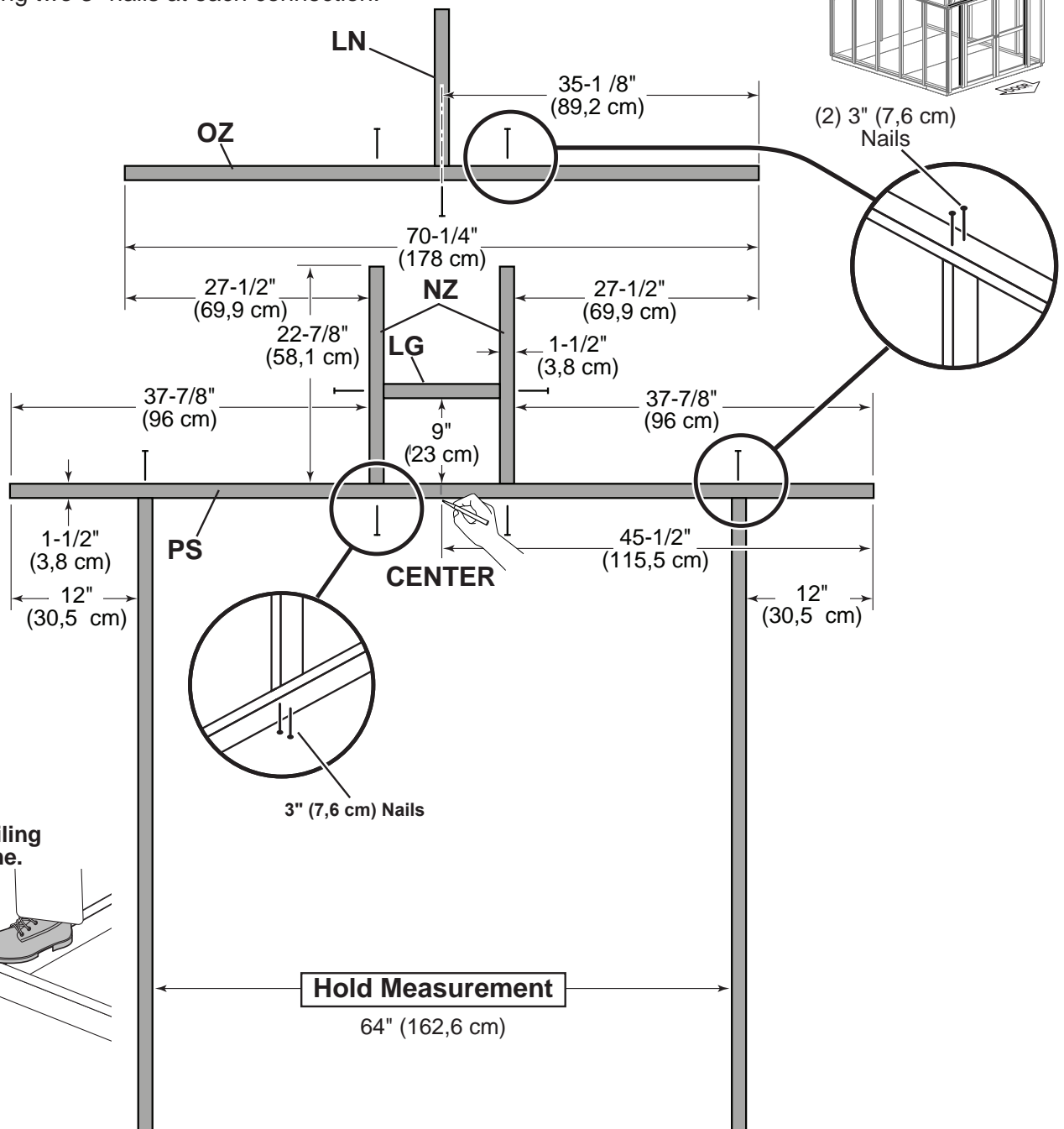
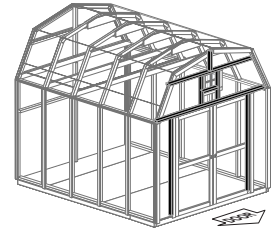
PARTS REQUIRED:

- x1 **LG**
2 x 3 x 12-1/4" (5 x 7,6 x 31 cm)
- x1 **LN**
2 x 3 x 16-1/2" (5 x 7,6 x 42 cm)
- x2 **NZ**
2 x 3 x 22-7/8" (5 x 7,6 x 58,1 cm)
- x3 **OZ**
2 x 3 x 70-1/4" (5 x 7,6 x 178 cm)
- x1 **PS**
2 x 3 x 91" (5 x 7,6 x 231 cm)

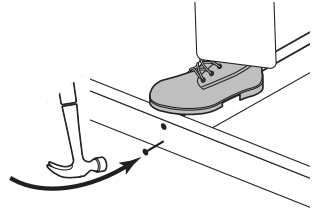


BEGIN

- 1 Orient parts on edge on floor as shown. Measure and mark.
- 2 Nail using two 3" nails at each connection.

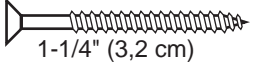


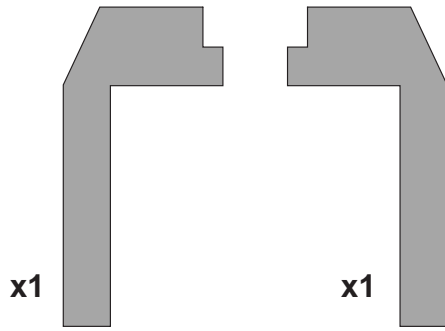
HINT:
For easier nailing
stand on frame.



FRONT WALL PANELS

PARTS REQUIRED:

x24  1-1/4" (3,2 cm)



x2 **OB**
2 x 3 x 72-5/8" (5 x 7,6 x 184,5 cm)



✓ BEGIN

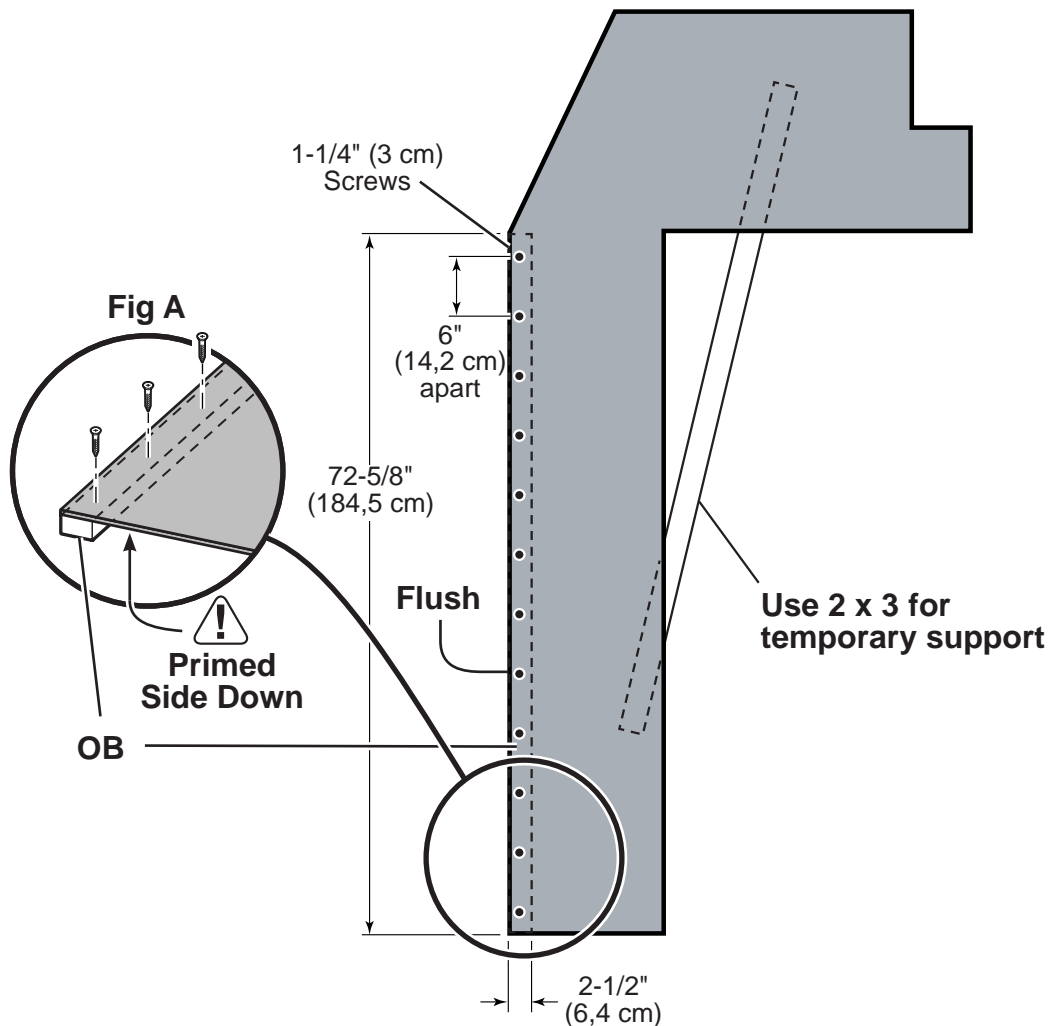
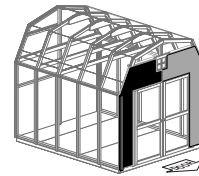
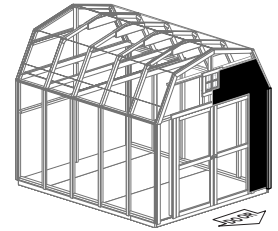
1 Place **OB** on floor.  Place the right front wall panel primed side down onto **OB** (Fig. A) and flush to panel edges as shown.

2 Secure flush to edges using twelve 1-1/4" (3 cm) screws 6" (14,2 cm) apart.

3 Repeat Steps 1-2 to assemble the left front wall panel.


🏁 FINISH

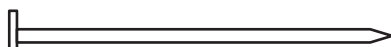
4 You have finished building your front wall panels.




FRONT WALL PANELS

PARTS REQUIRED:

x6  2" (5 cm)

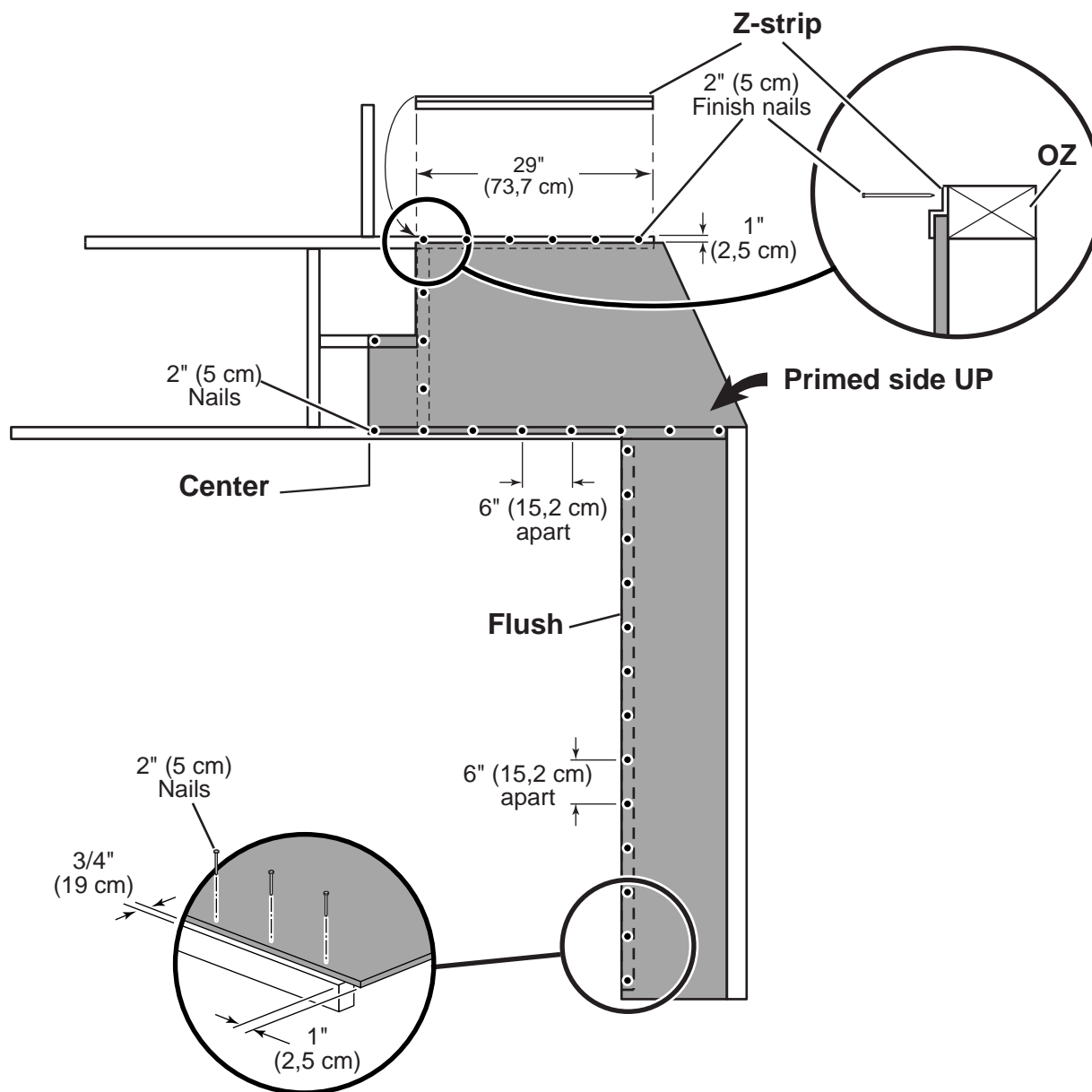
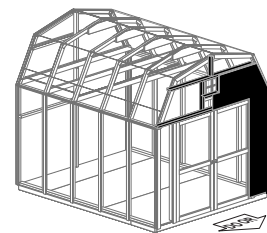
x25  2" (5 cm)

x1  96" (244 cm) **Z-STRIP** - Cut into two 29" (73,7 cm) lengths



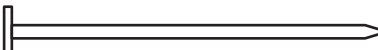
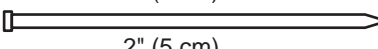
✓ BEGIN

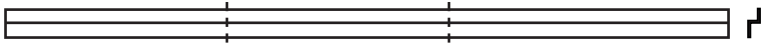
- 1 Place right panel on front frame as shown with primed side facing up.
- 2 Measure and cut Z-Strip into two 29" lengths.
- 3 Position Z-strip as shown. Secure Z-strip using six 2" finish nails 6" apart.
- 4 Secure the rest of panel using (16) 2" nails 6" apart.



FRONT WALL PANELS

PARTS REQUIRED:

- x25  2" (5 cm)
- x6  2" (5 cm)

- x1  96" (244 cm) **Z-STRIP** - Cut into two 29" (73,7 cm) lengths



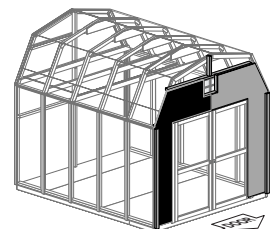
5 Place left panel on front frame flush to right panel as shown with primed side facing up.

6 Repeat Steps 3-4.

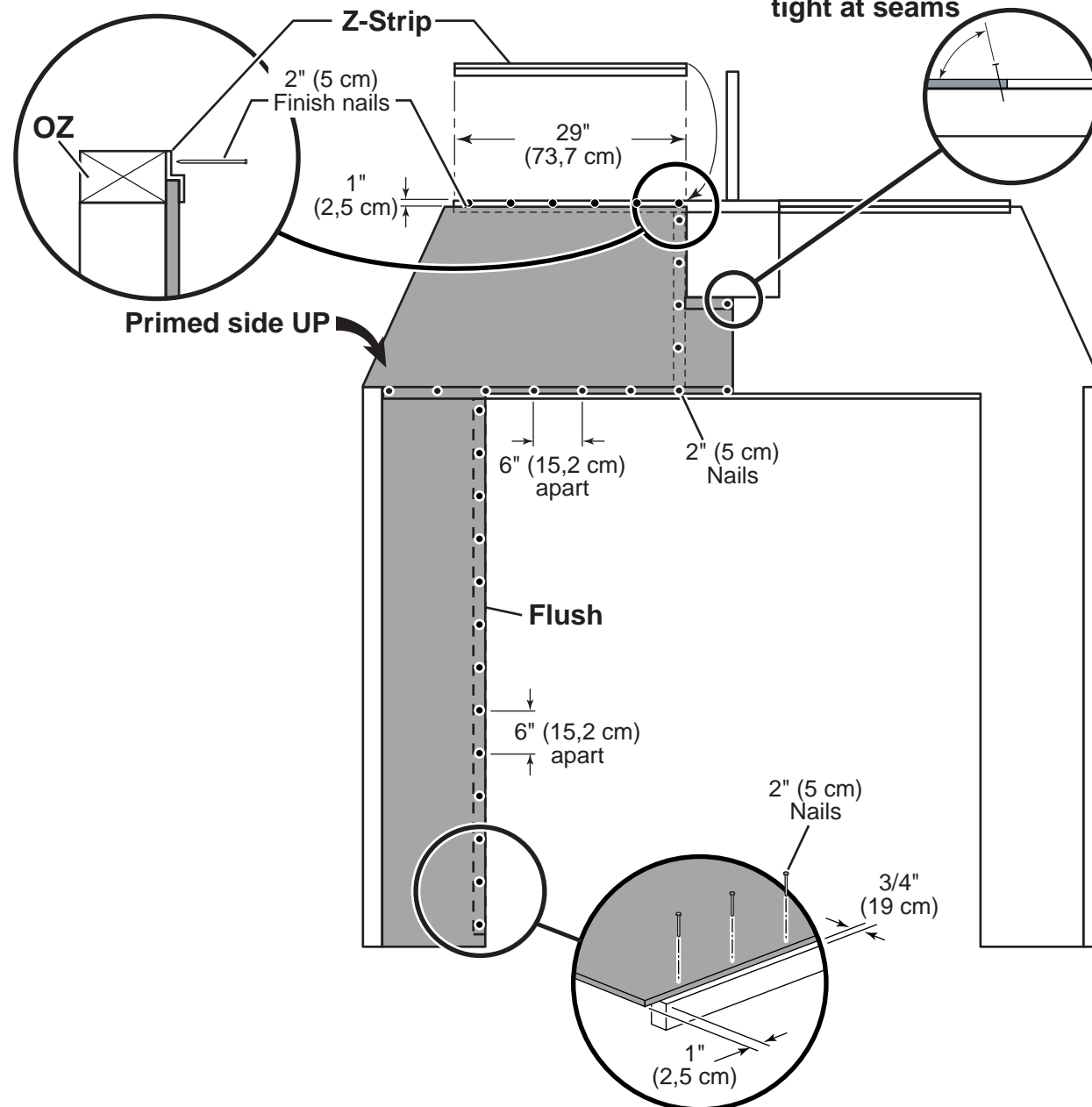


FINISH

7 You have finished the lower front wall.

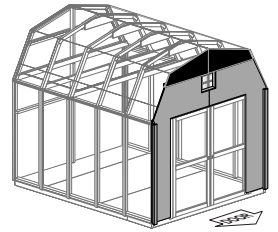
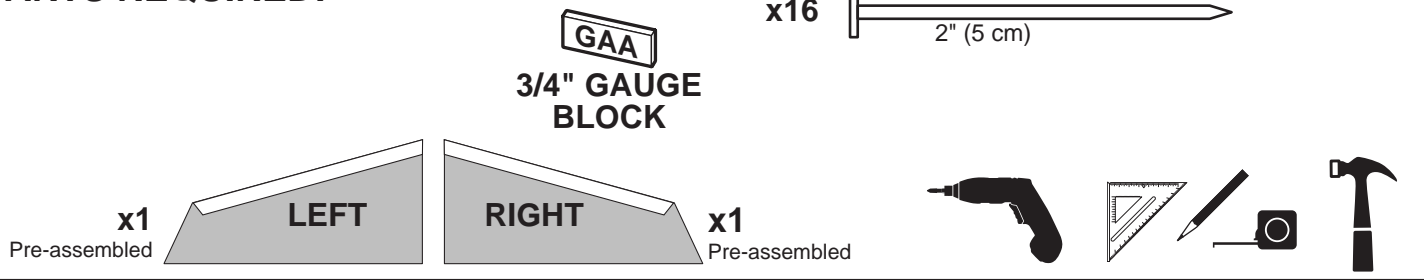


Angle nails to draw panels tight at seams



FRONT WALL GABLE PANELS

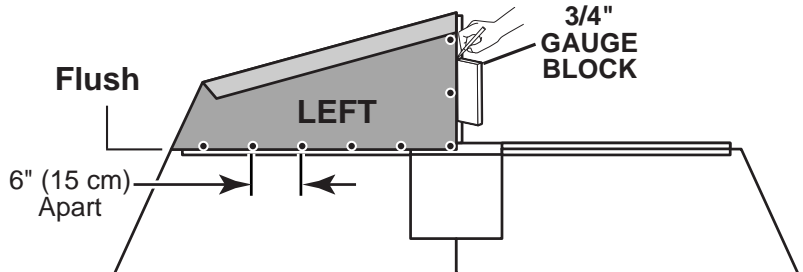
PARTS REQUIRED:



✓ BEGIN

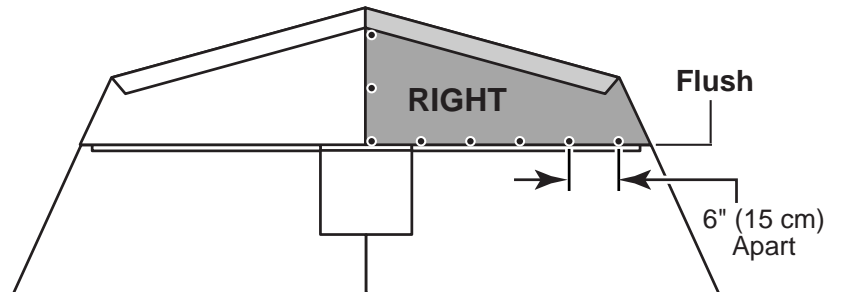
- 1 Place the left gable panel primed side up onto wall frame and Z-strip and onto LN.

Nail with 2" nails 6" apart.

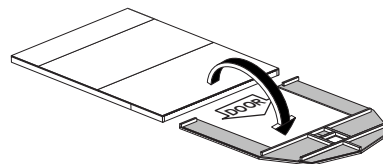


- 2 Place right gable panel primed side up onto wall frame and Z-strip and onto LN and flush to left gable panel.

Nail with 2" nails 6" apart.



Carefully flip the front wall off the floor.



FRONT WALL GABLE TRIM

PARTS REQUIRED:

x2 **NY**
2 x 3 x 34-1/8" (5 x 7,6 x 86,7 cm)

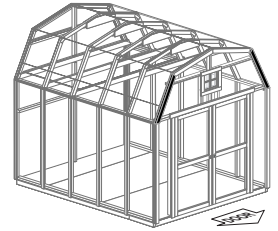
x14
1-1/4" (3,2 cm)



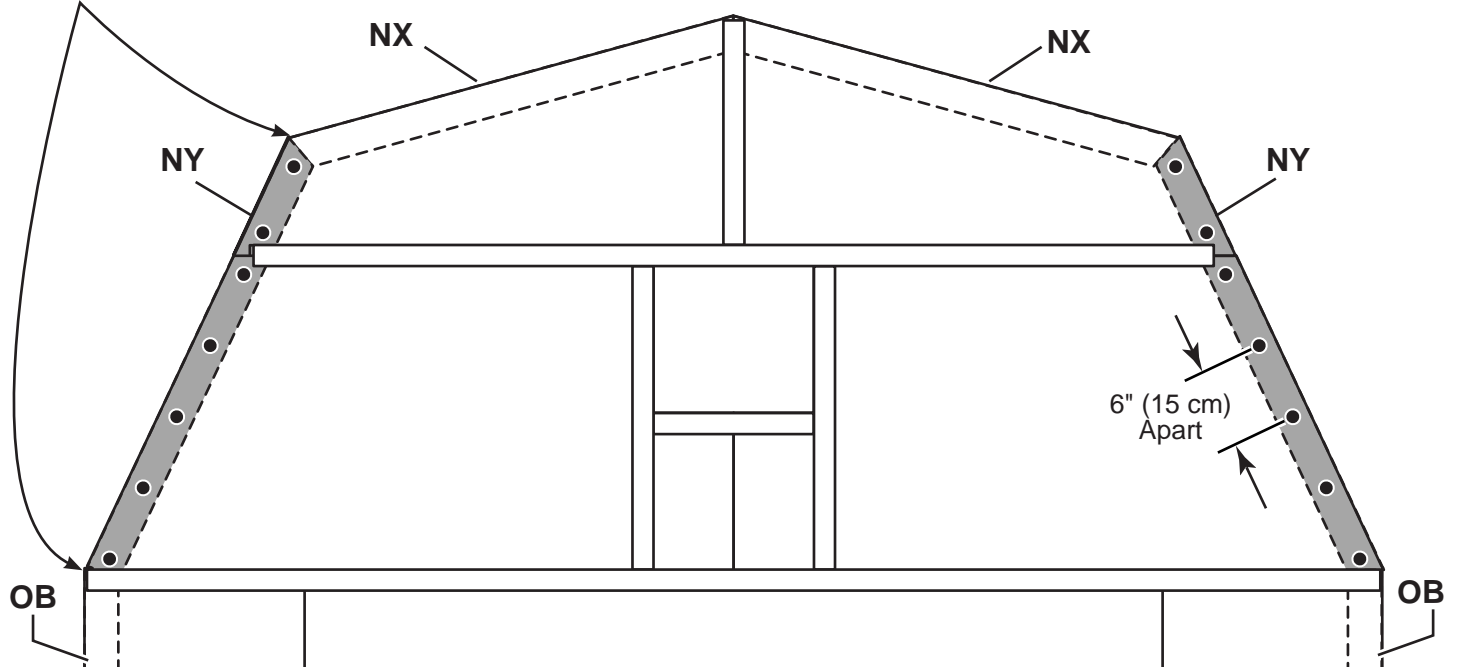
4 Place **NY** onto front wall between existing trim, and secure from inside with 1-1/4" screws 6" apart.



5 You have finished building your front wall.



Two points contact each other



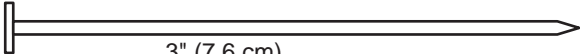
SIDE WALL FRAMES

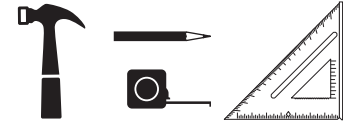
PARTS REQUIRED:

x4 NH
2 x 3 x 46-1/4" (5 x 7,6 x 117,5 cm)

x8 OU
2 x 3 x 68-3/4" (5 x 7,6 x 174,6 cm)

x4 OZ
2 x 3 x 70-1/4" (5 x 7,6 x 178 cm)

x40  3" (7,6 cm)



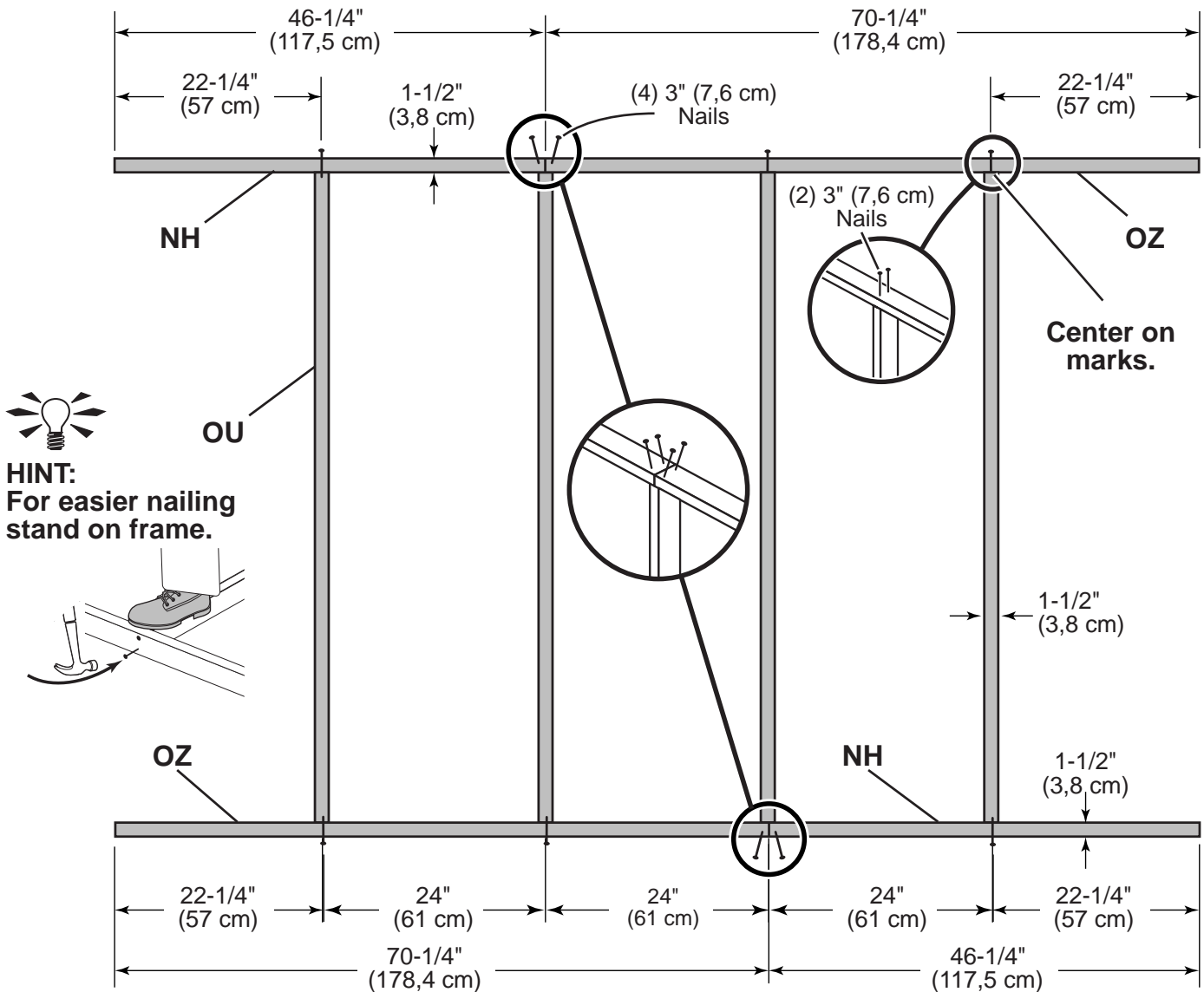
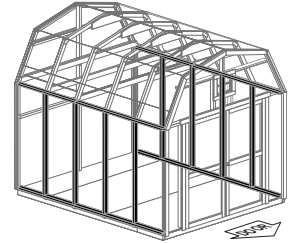
✓ BEGIN

1 Orient parts as shown on flat surface. Measure and mark each dimension from end of boards.

! IMPORTANT! You will build two walls the same.

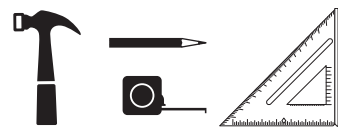
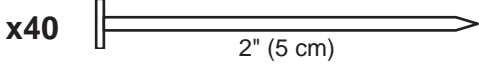
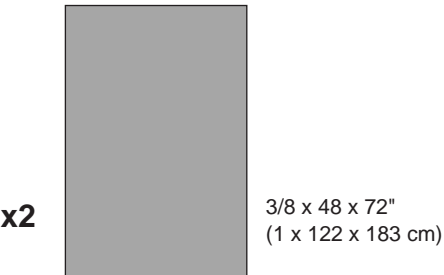
2 Use two 3" nails at each mark, and toenail at seam.

3 Repeat Steps 1-2 to assemble the second wall frame.



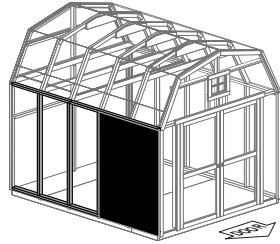
SIDE WALL PANELS

PARTS REQUIRED:



! Ensure your wall frame is square by installing one panel and squaring frame.

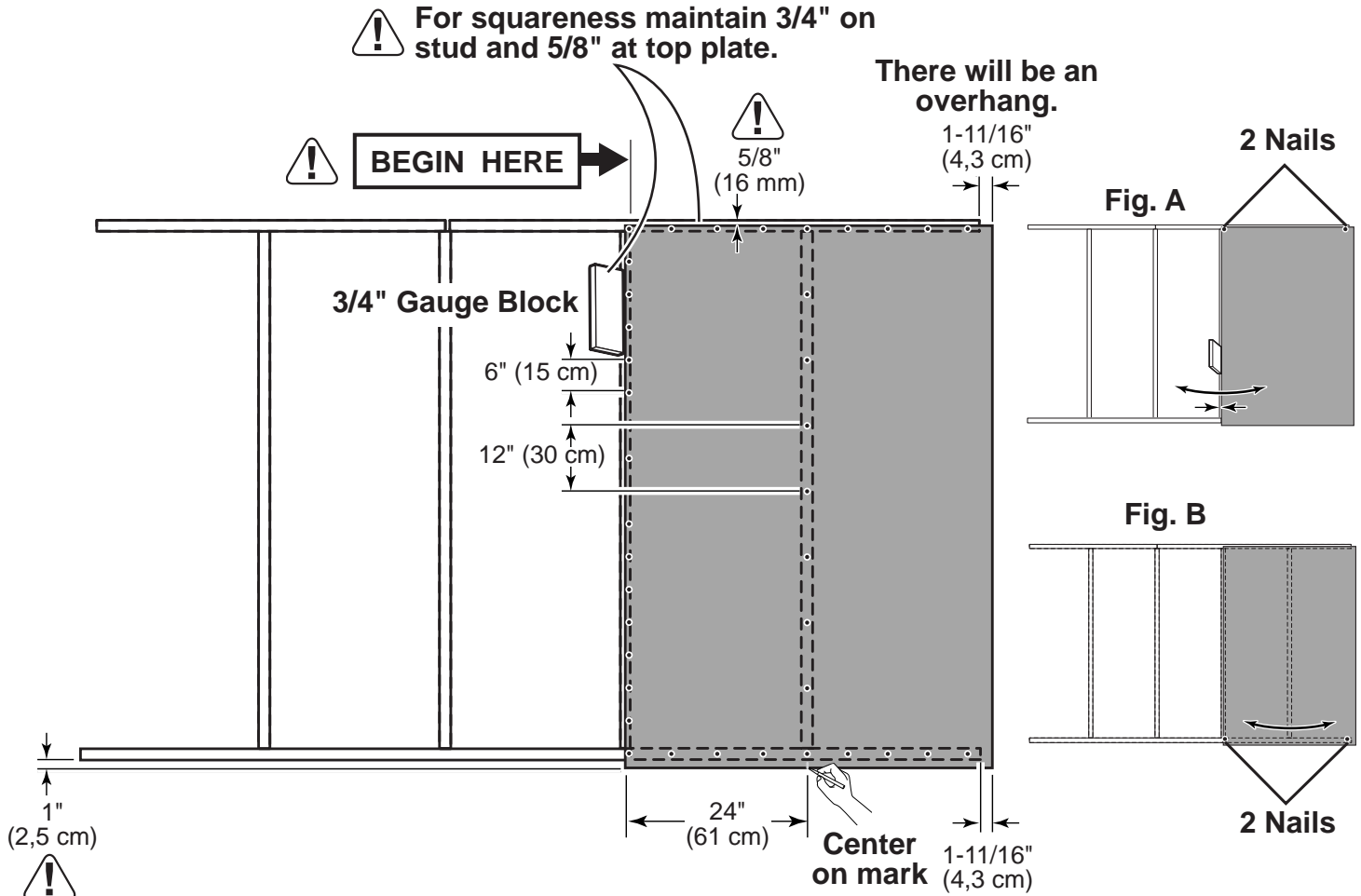
4 Place the **48 x 72"** panel onto wall frame with primed side up as shown. Measure and mark overhangs and top spacing. Ensure measurements result in correct dimensions for **1"** bottom spacing.



Use the gauge block to mark the **3/4"** measurement on the wall stud. Secure panel with two **2"** nails in the top corners (**Fig. A**).



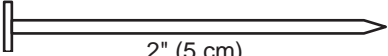
5 Move to the opposite end. Move the studs side-to-side until you have a **3/4"** measurement on the wall stud. Secure corners with a **2"** nails.


6 Nail the panel using **2"** nails **6"** apart on edges and **12"** apart inside panel.



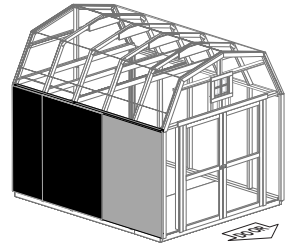
10' x 8' SIDE WALL PANELS

PARTS REQUIRED:

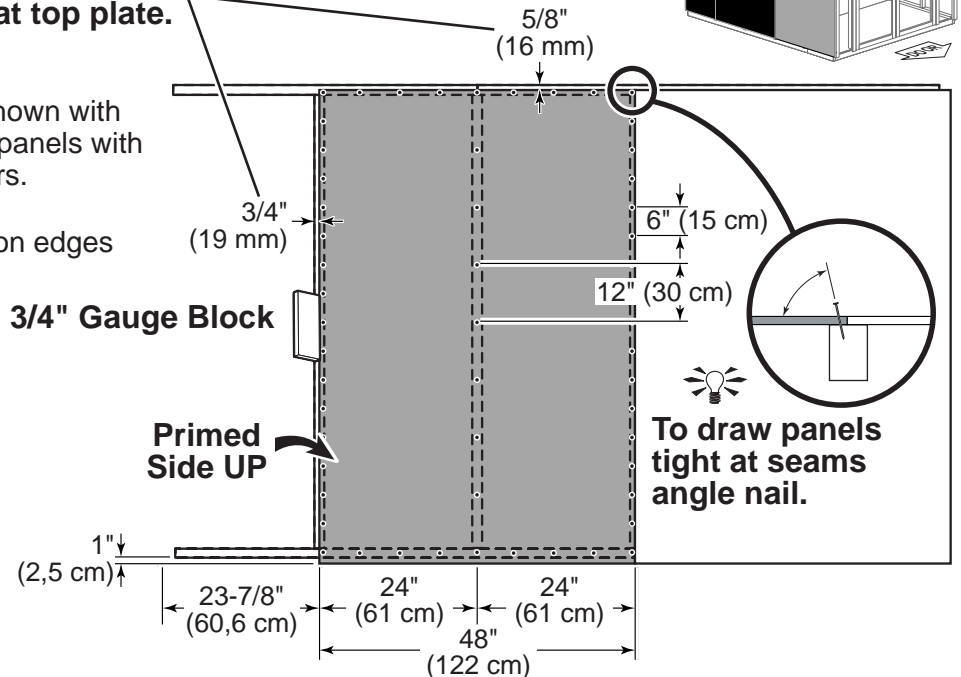
x2  **x2**  **x80** 



! For squareness maintain $3/4"$ side measurement and $5/8"$ measurement at top plate.



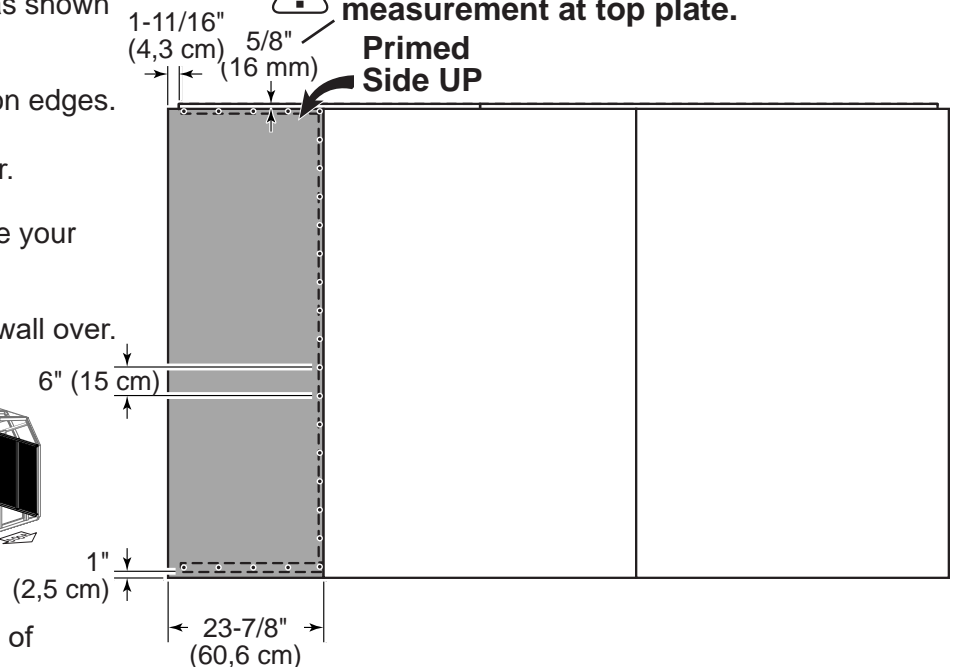
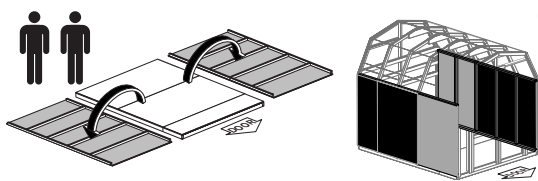
- 7** Place 48" panel on frame as shown with primed side facing up. Secure panels with two 2" nails at the upper corners.
- Secure using 2" nails 6" apart on edges and 12" apart inside panels.



- 8** Place $23-7/8"$ panel on frame as shown with primed side facing up.
- Secure using 2" nails 6" apart on edges.
- Carefully flip your side wall over.
- Repeat **STEPS 1-8** to assemble your second side wall.
- Carefully flip your second side wall over.

! Maintain $5/8"$ measurement at top plate.

Primed Side UP




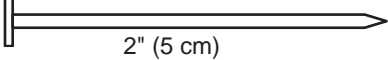
FINISH

- 9** You have finished building both of your side walls.

BACK WALL INSTALLATION

PARTS REQUIRED:

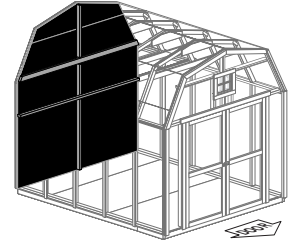
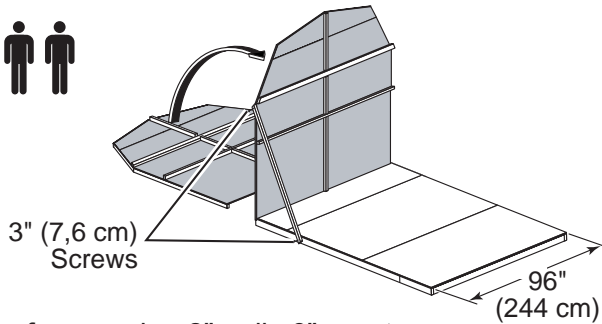
x1 **OO**
69" Door Stiffener (175,3 cm) **TEMPORARY SUPPORT**

x4  3" (7,6 cm)
x17  2" (5 cm)



✓ BEGIN

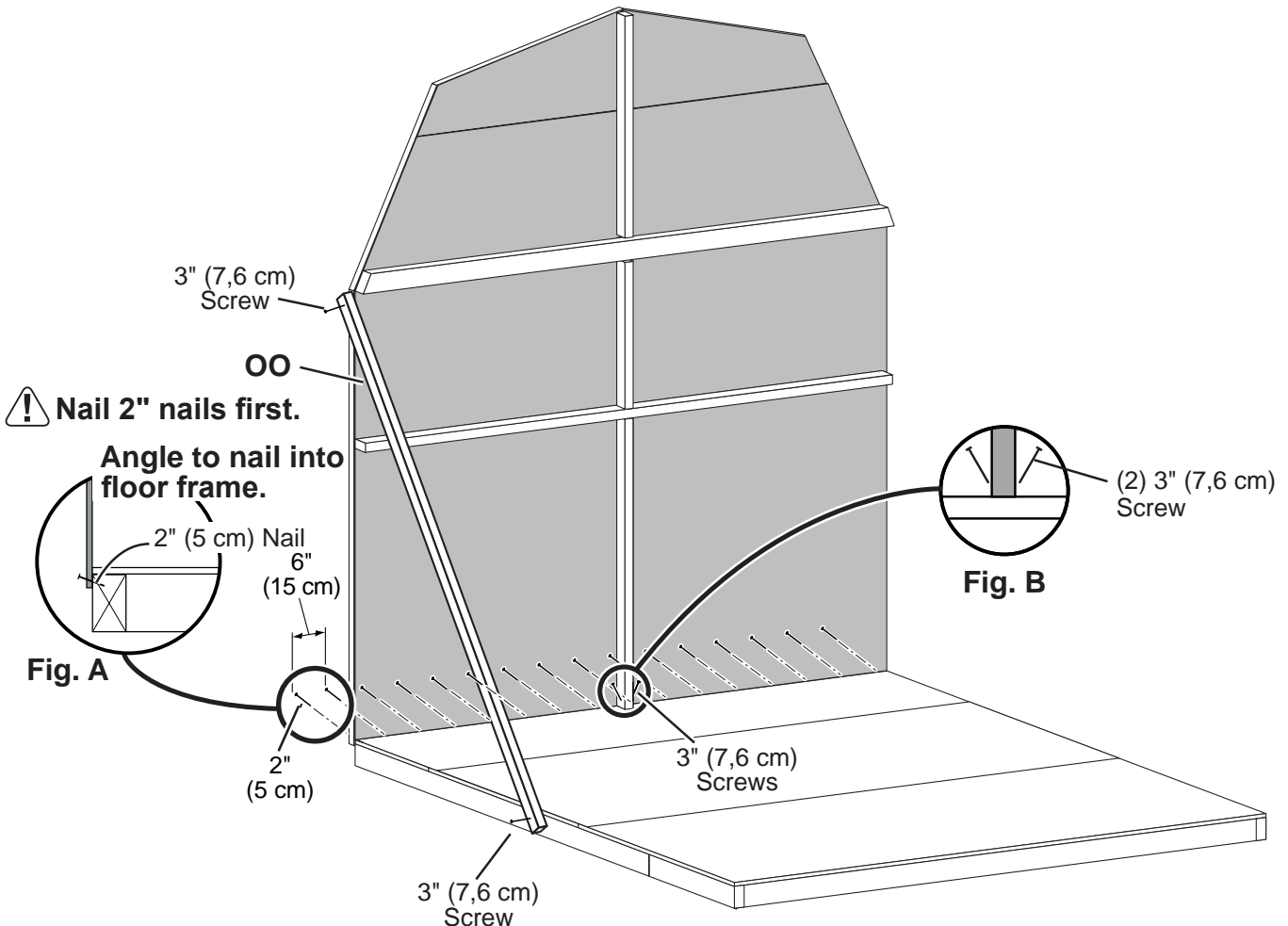
- Center back wall assembly on the 96" (244 cm) floor dimension.
- Use **OO** as a temporary brace. Secure with two 3" screws.



- First, nail lower edge of panel to floor frame using 2" nails 6" apart. Angle nail to hit floor frame (**Fig. A**).
- Screw back wall uprights to floor using two 3" screws (**Fig. B**).

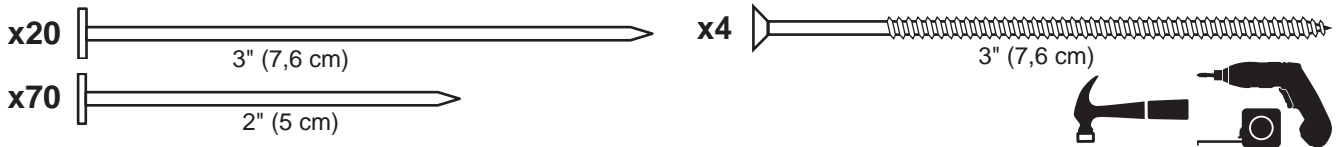
FINISH

- You have finished standing your back wall.



SIDE WALLS INSTALLATION

PARTS REQUIRED:

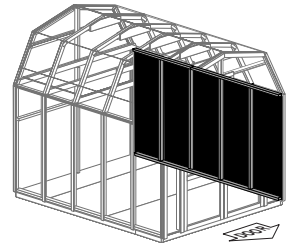


✓ BEGIN

Stand right side wall on floor.

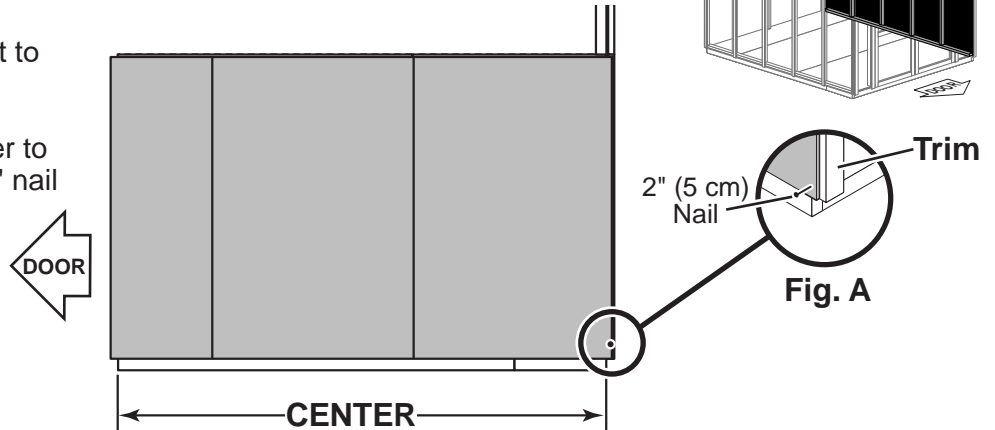


⚠ It is important to secure the side wall in the following order.



- 1 Center side wall on floor front to back.

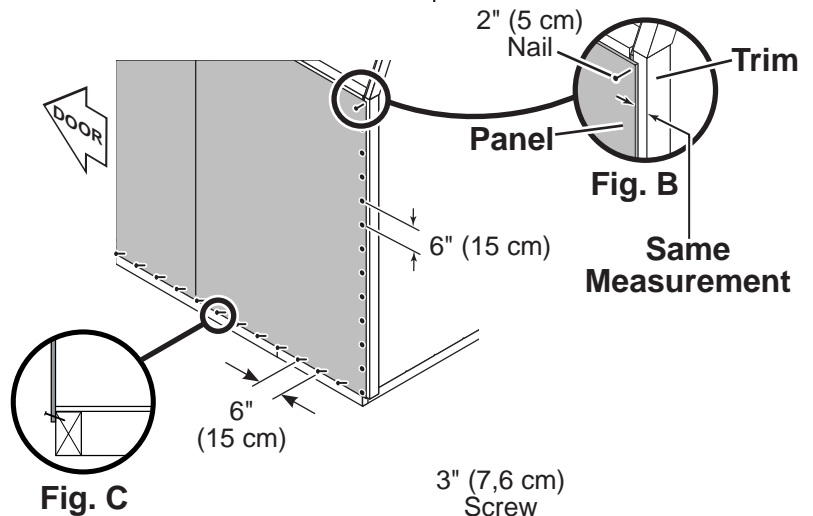
Nail the lower side wall corner to the back wall trim with one 2" nail (Fig. A).



- 2 Be sure the measurement between the panel edge and the trim is the same along the entire length. Then secure with one 2" nail in the upper corner (Fig. B).

Nail along the panel edge into the trim using 2" nails spaced 6" apart.

Nail along bottom of panel using 2" nails 6" apart. Angle nail to hit floor frame (Fig. C).

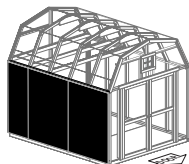
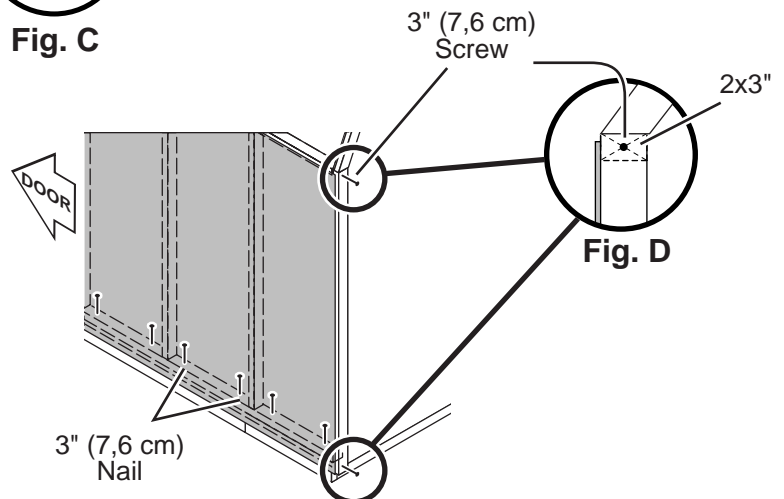


FINISH

- 3 Secure the wall frames bottom plate onto floor using two 3" nails between studs.

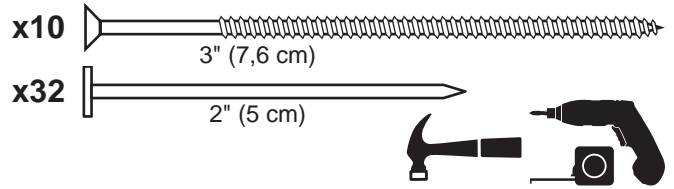
Screw through the back wall trim into the top plate and bottom plate using 3" screws (Fig. D).

Remove temporary brace.
Repeat process to secure the left side wall.




FRONT WALL INSTALLATION

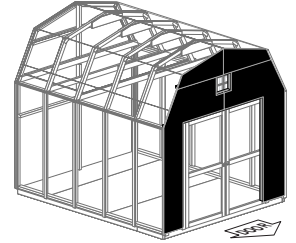
PARTS REQUIRED:



✓ BEGIN

Stand front wall on floor. 

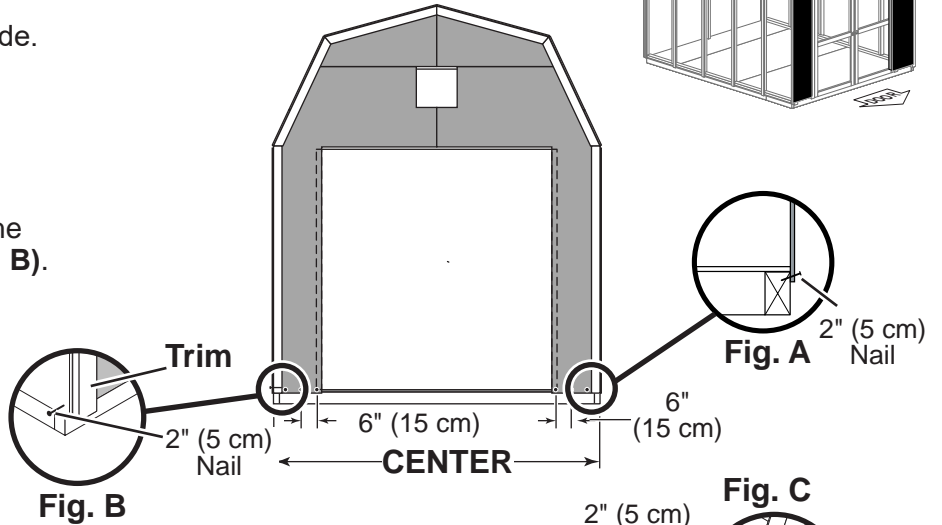
 It is important to secure the front wall in the following order.



- 1 Center front wall on floor side-to-side.

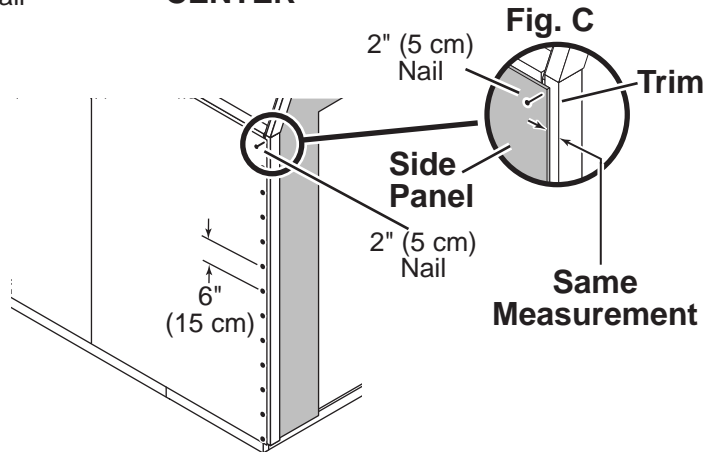
Nail the front wall flush to the floor using 2" nails 6" apart. Angle nails to hit floor frame (**Fig. A**).

Nail the lower side wall corner to the front wall trim with one 2" nail (**Fig. B**).



- 2 Be sure the measurement between the panel edge and the trim is the same along the entire length. Then secure with one 2" nail in the upper corner (**Fig. C**).

Nail along the panel edge into the trim using 2" nails spaced 6" apart.

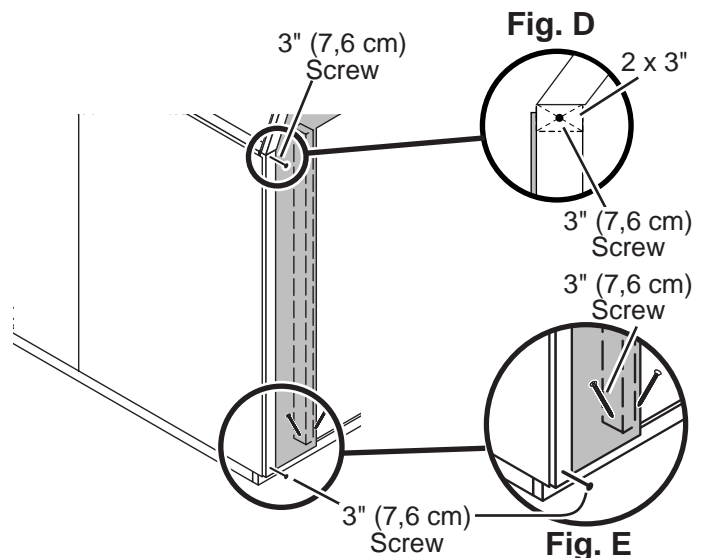


FINISH

- 3 Secure the stud into floor using two 3" screws at an angle (**Fig. E**).

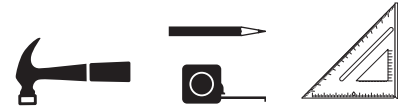
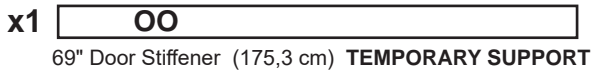
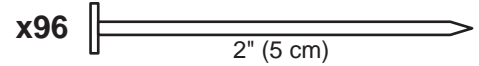
Screw through the front wall trim into the top plate and into side wall bottom plate using 3" screws (**Fig. D, E**).

Repeat process to secure the right side of the front wall.



RAFTERS

PARTS REQUIRED:



✓ BEGIN

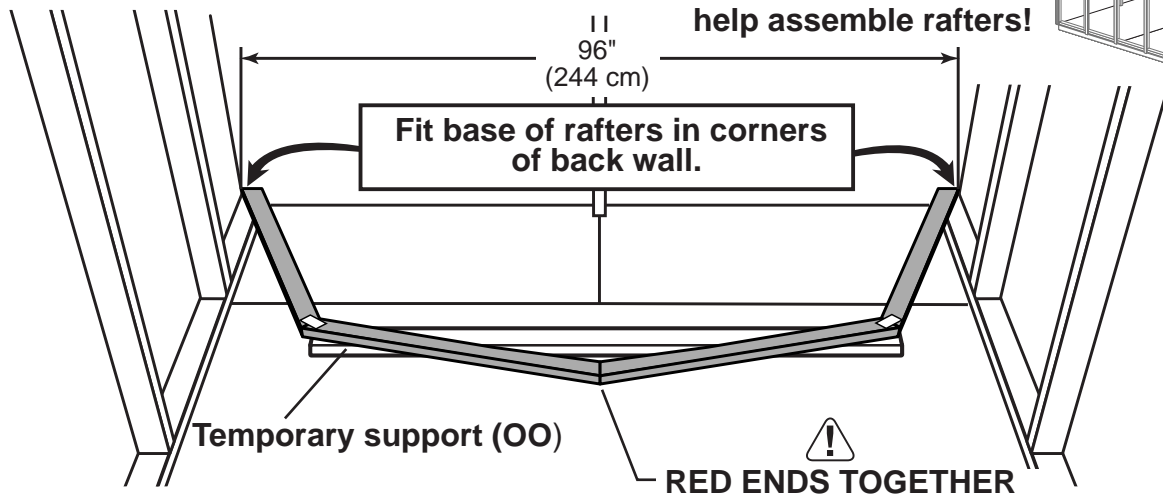
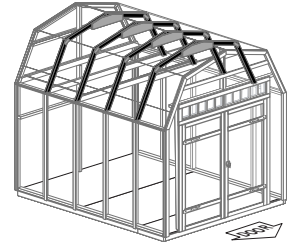
1 You will build FOUR assemblies;

Place two rafter-halves in the corner of back and side walls. The **RED ENDS** identify the ends to be connected at the center.



HINT:

Use floor and walls to help assemble rafters!



2 **RED ENDS** of Rafters must touch together at the peak. Nail gusset to rafters using twelve 2" nails in pattern shown.

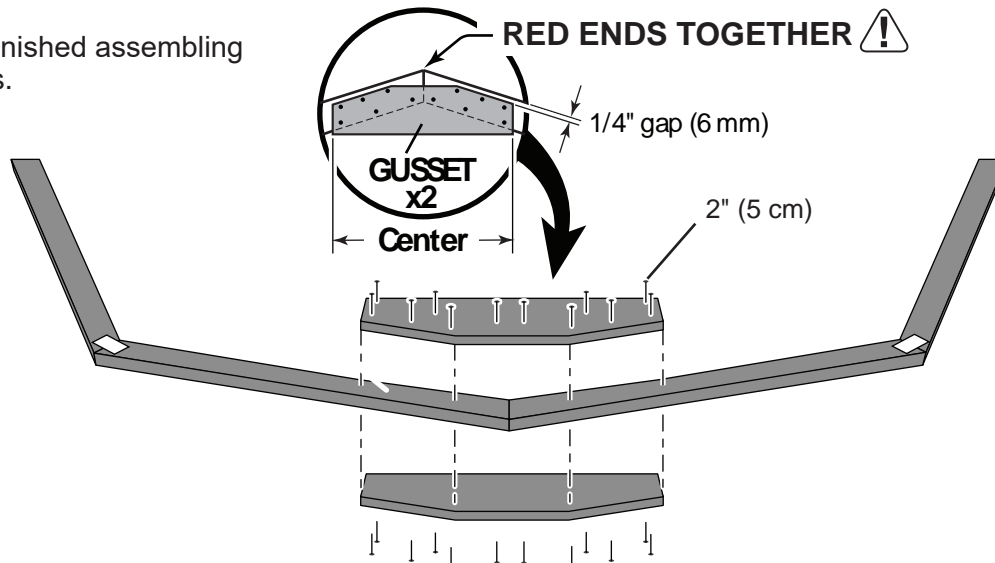
3 Flip over rafter assembly and repeat **STEPS 1-2** to attach second gusset to other side.

4 Repeat **STEPS 1-3** to build **THREE** additional rafter assemblies.



FINISH

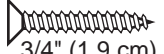
5 You have finished assembling your rafters.

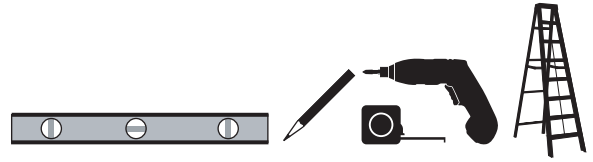


GABLE TRIM INSTALL

PARTS REQUIRED:

x1 **HQA**
1 x 3 x 70-1/2" (2,5 x 7,6 x 179,1 cm)

x10 
3/4" (1,9 cm)



✓ **BEGIN**

1 On outside of back wall, center **HQA** on seam between existing trim.

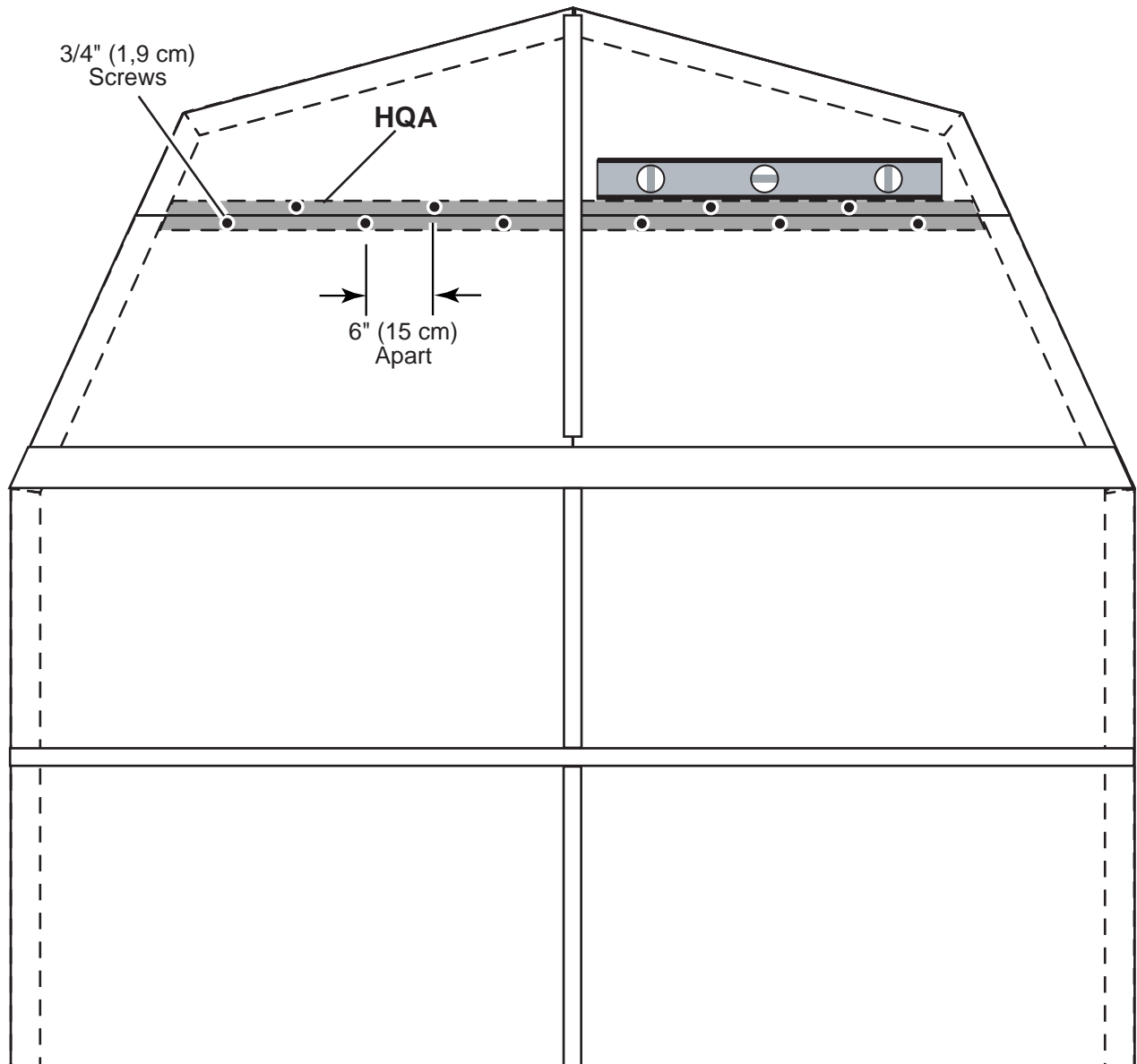
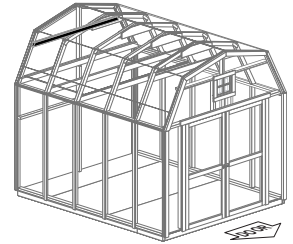


Secure with ten 3/4" (1,9 cm) screws 6" (15 cm) apart) from inside as shown.



FINISH

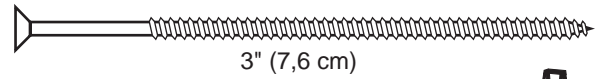
3 You have finished installing your gable trim.



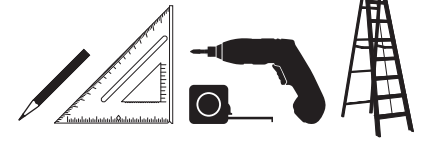
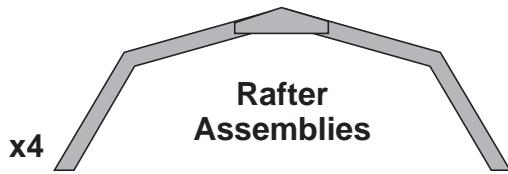
RAFTERS

PARTS REQUIRED:

x16

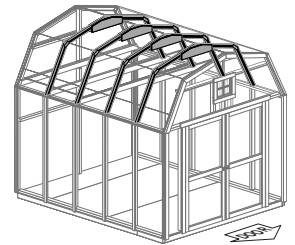


3" (7,6 cm)



✓ **BEGIN**

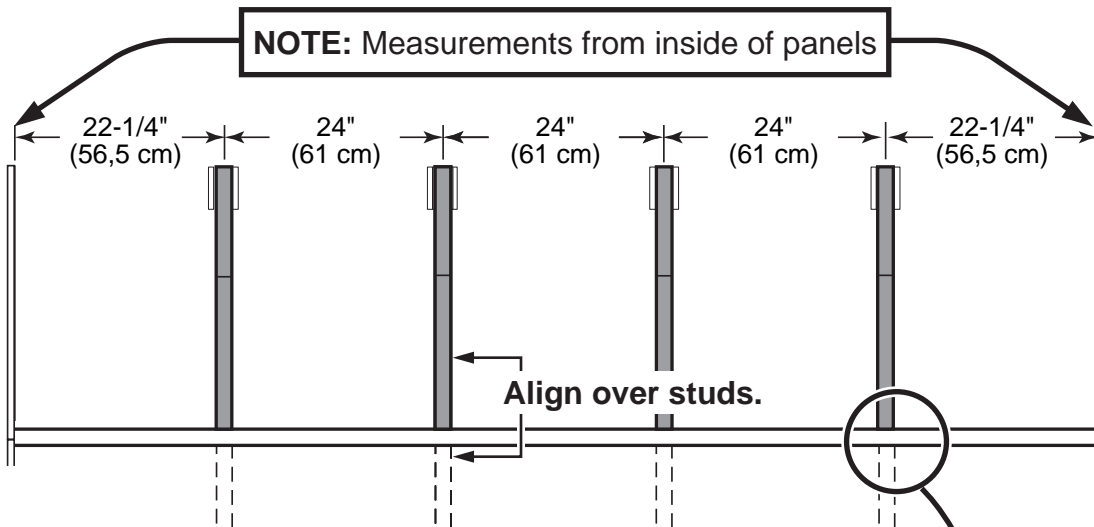
1 Measure and mark center of wall studs onto side of top plate. Center four rafters on marks. **(Fig. A)**. The rafters also line up directly over the wall studs.



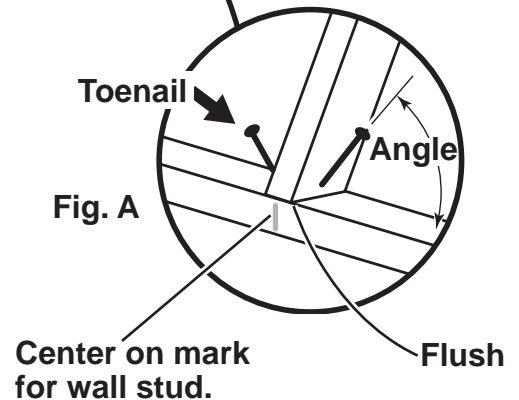
Check you have the measurements shown.

🏁 **FINISH**

2 You have finished installing your rafters.



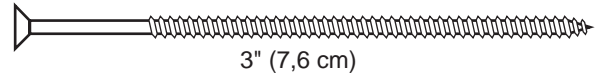
⚠ **Maintain the measurements between rafters.**



LOFT JOISTS

PARTS REQUIRED:

x8



x2

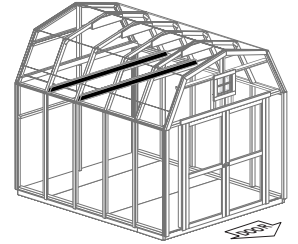
VW

1 x 4 x 95" (2,5 x 10 x 241,3 cm)



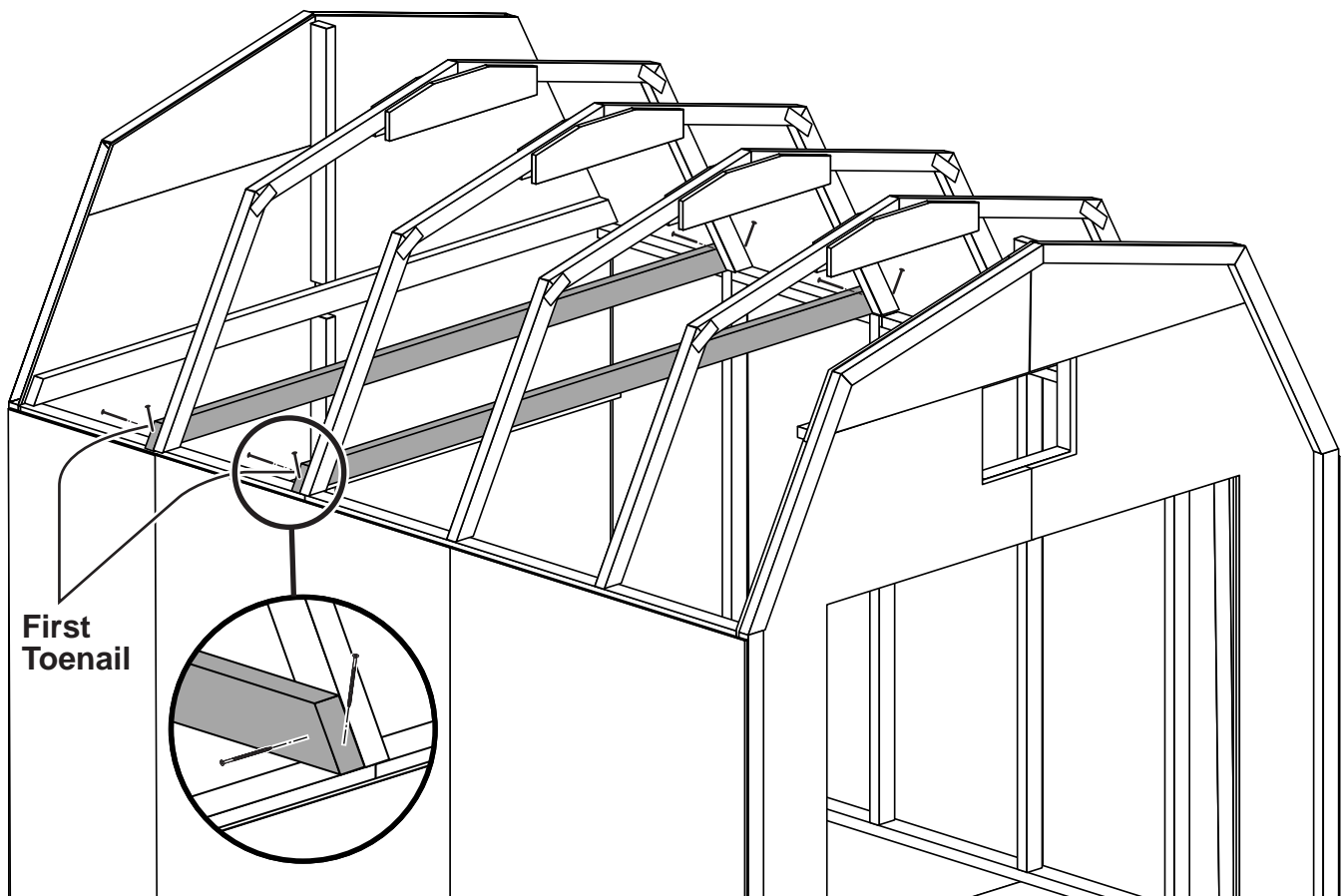
✓ BEGIN

- 1 Place a loft joist flush on the back side of each of the back two rafters.
- 2 Attach each joist with one 3" screw toenailed through the joist into the top plate. Screw through each loft joist into the rafters with another 3" screw as shown.
- 3 ⚠ Check rafters are still 24" on center.




FINISH

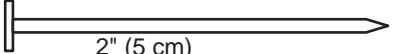
- 4 You have finished installing your loft joists.



LOFT PANEL

PARTS REQUIRED:


x1  7/16 x 48 x 84-3/8"
(1,1 x 122 x 214,3 cm)

x4  2" (5 cm)



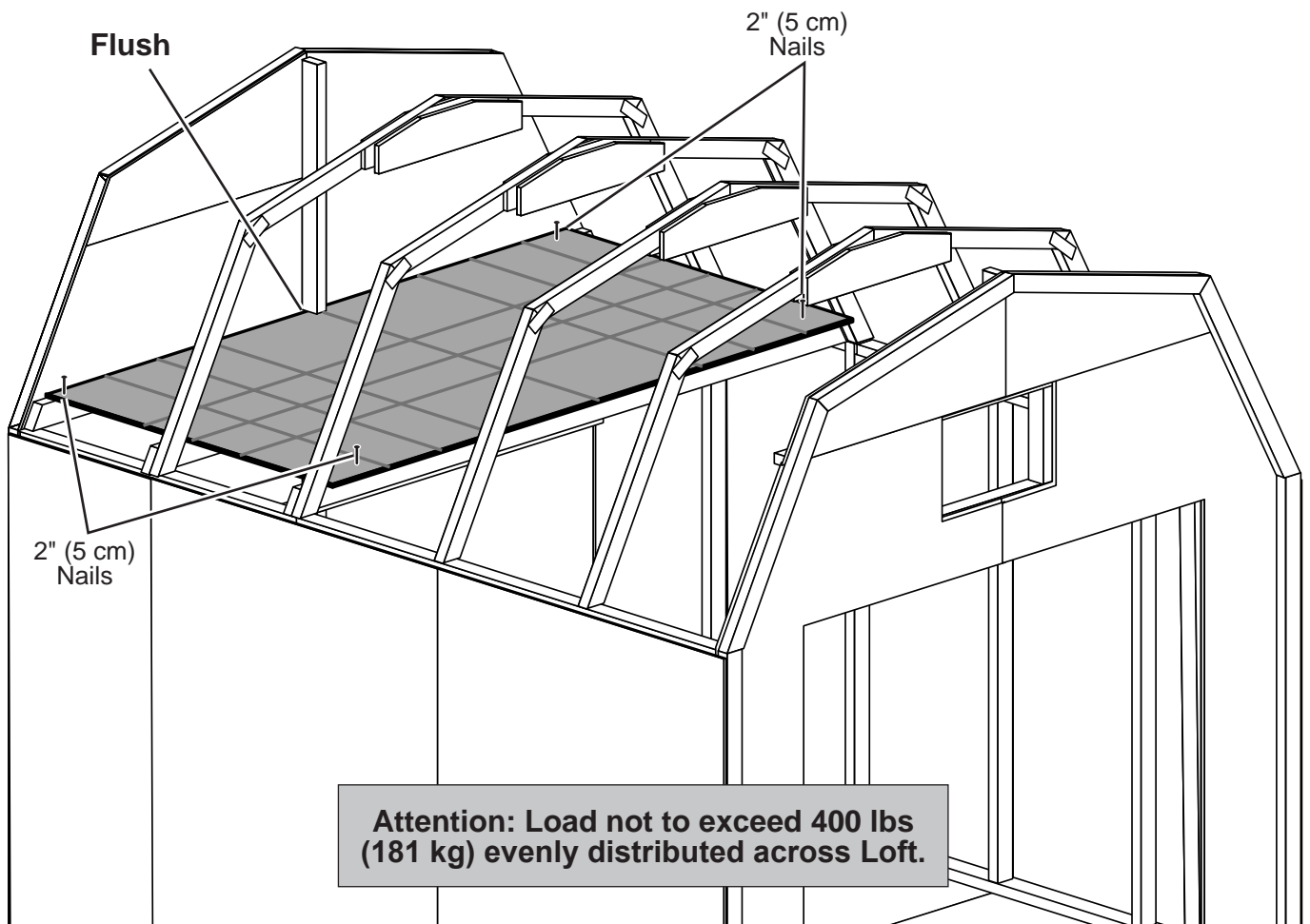
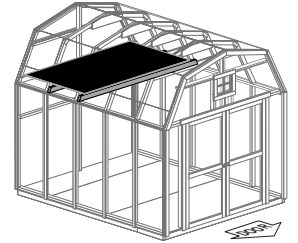
✓ BEGIN

1 Place loft panel grid side up onto the three loft joists centered from side-to-side and flush with the back wall panel. Panel will fit into the gap left earlier and on the joist of the back wall.

2  **IMPORTANT!** Using only four 2" nails, nail loft panel in place to allow racking of the roof. You will complete nailing the loft panel later.

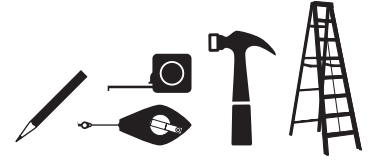
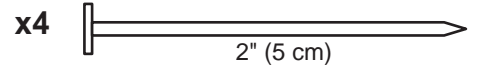
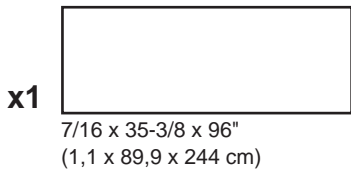
FINISH

4 You have temporarily finished installing your loft panel.



ROOF PANELS

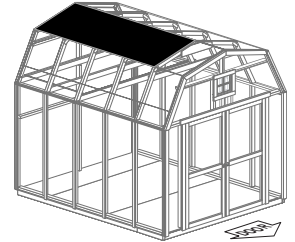
PARTS REQUIRED:



! Roof panels may cause serious injury until securely fastened.



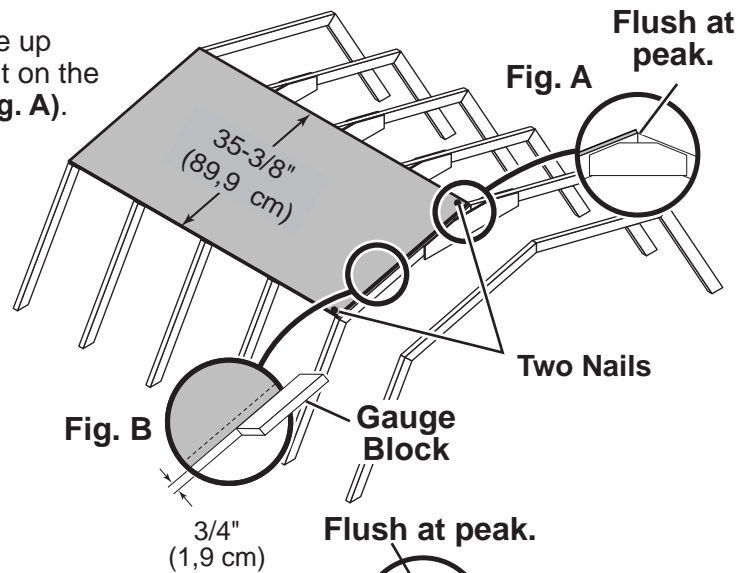
You must square the roof by attaching one panel first. You will use the panels' long edge as a lever to bring your roof into square. Commonly known as "racking".



✓ BEGIN

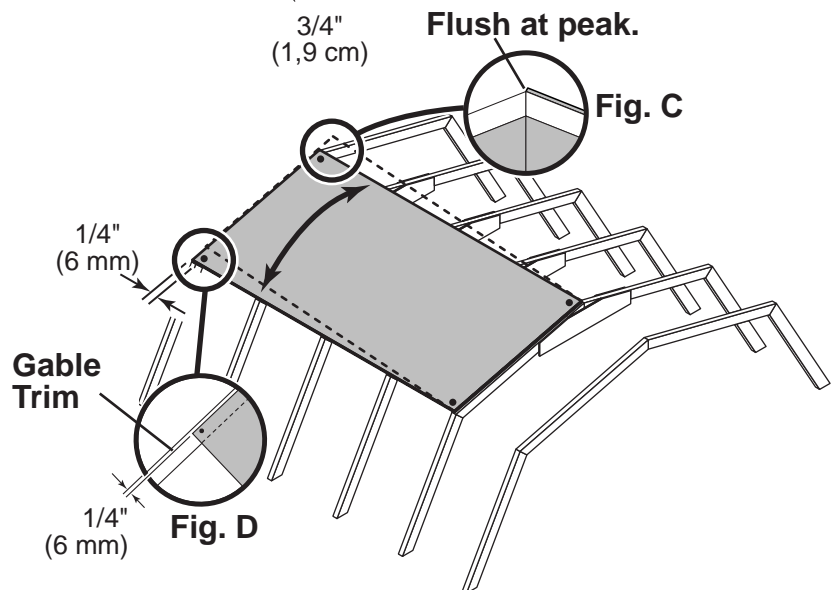
- 1 Attach the 35-3/8 x 96" panel with the rough side up (painted-grid lines side) with a 3/4" measurement on the rafter (**Fig. B**) and the panel flush at the peak (**Fig. A**).

Secure panel with two 2" nails in the corners.




- 2 Move to the opposite end. Using the long edge of the panel as a lever move the panel side-to-side until the top corner is flush to the peak (**Fig. C**) and there is 1/4" measurement to the gable trim (**Fig. D**).


You may need to move your back wall to get the 1/4" measurement. Secure panel with two 2" nails in the corners.

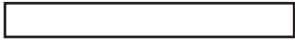


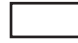
ROOF PANELS

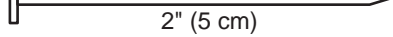
PARTS REQUIRED:


x1  $7/16 \times 35\text{-}3/8 \times 96"$
 (1,1 x 89,9 x 244 cm)


x2  $7/16 \times 23\text{-}7/8 \times 35\text{-}3/8"$
 (1,1 x 61 x 89,9 cm)

x2  $7/16 \times 11\text{-}1/2 \times 96"$
 (1,1 x 29,2 x 244 cm)

x2  $7/16 \times 11\text{-}1/2 \times 35\text{-}3/8"$
 (1,1 x 29,2 x 89,9 cm)

x170  2" (5 cm)

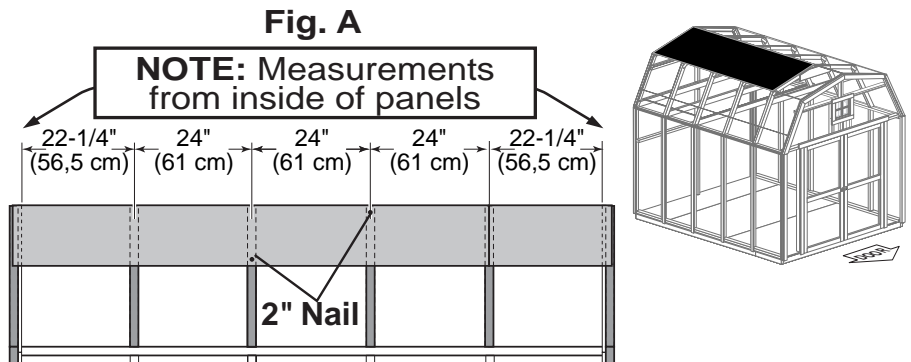
GAUGE BLOCK  $3/4"$



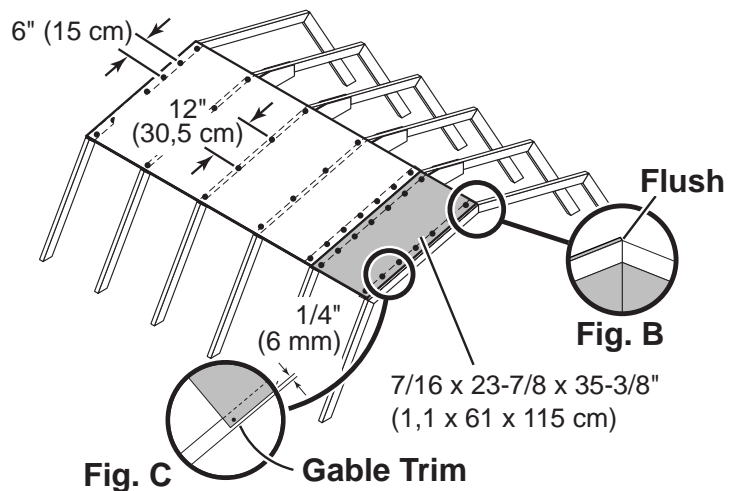
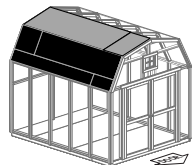
3 Keep spacing between the center of the rafters at the lower edge of the panel and secure with one 2" nail into each rafter (**Fig. A**).

Move to the top of the panel and keep spacing between the center of the rafters. Secure with one 2" nail into each rafter (**Fig. A**).

Nail the roof panel using 2" nails 6" apart on edges and 12" apart inside panel.



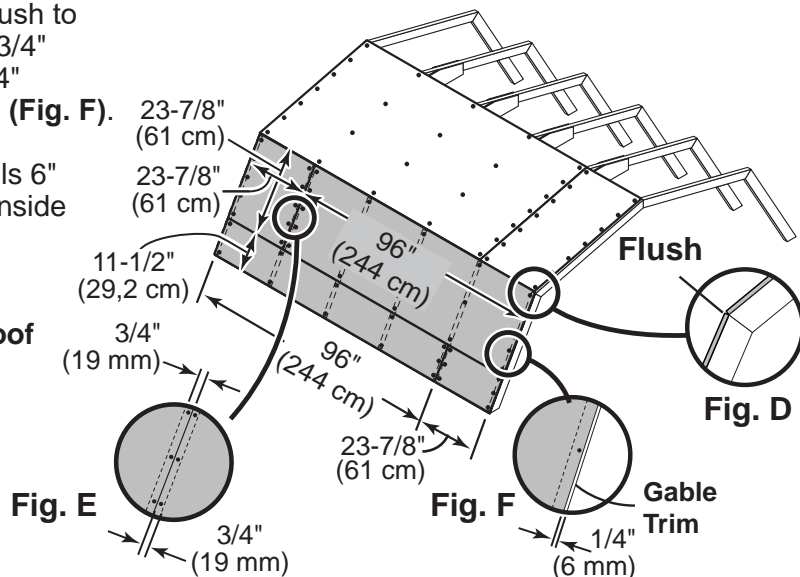
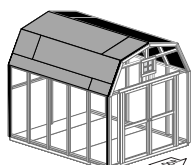
4 Attach the $23\text{-}7/8 \times 35\text{-}3/8"$ upper roof panel flush to first panel, flush at peak and with the $1/4"$ measurement (**Fig. B, C**).



5 Attach the lower roof panels flush to the upper panels (**Fig. D**) and $3/4"$ on rafter (**Fig. E**) and with a $1/4"$ measurement at the gable trim (**Fig. F**).

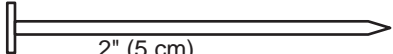
Nail the roof panel using 2" nails 6" apart on edges and 12" apart inside panel.

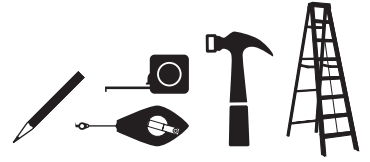
Repeat Steps 1-5 to attach roof panels on the opposite side.



LOFT PANEL

PARTS REQUIRED:

x11  2" (5 cm)

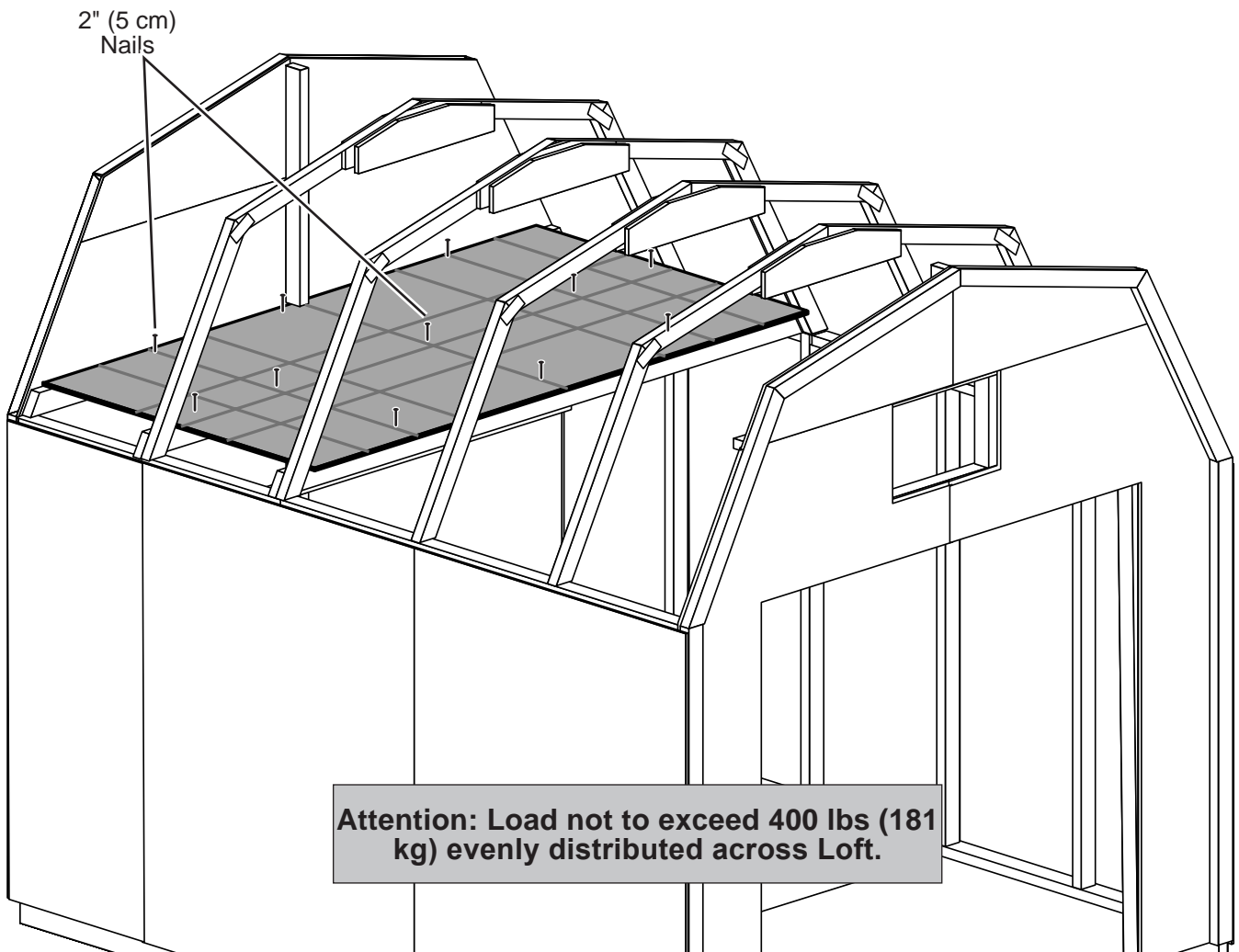
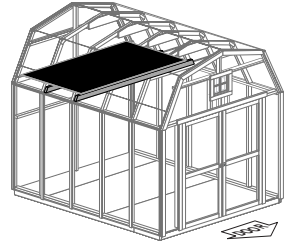


✓ BEGIN

1 Complete installation of loft panel using 2" nails spaced 24" apart.

FINISH

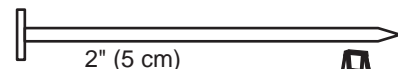
2 You have finished your loft panel.



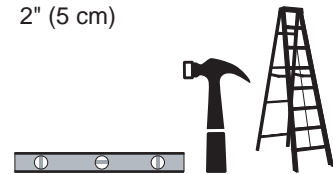
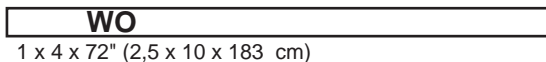
COLLAR TIES

PARTS REQUIRED:

x12



x2



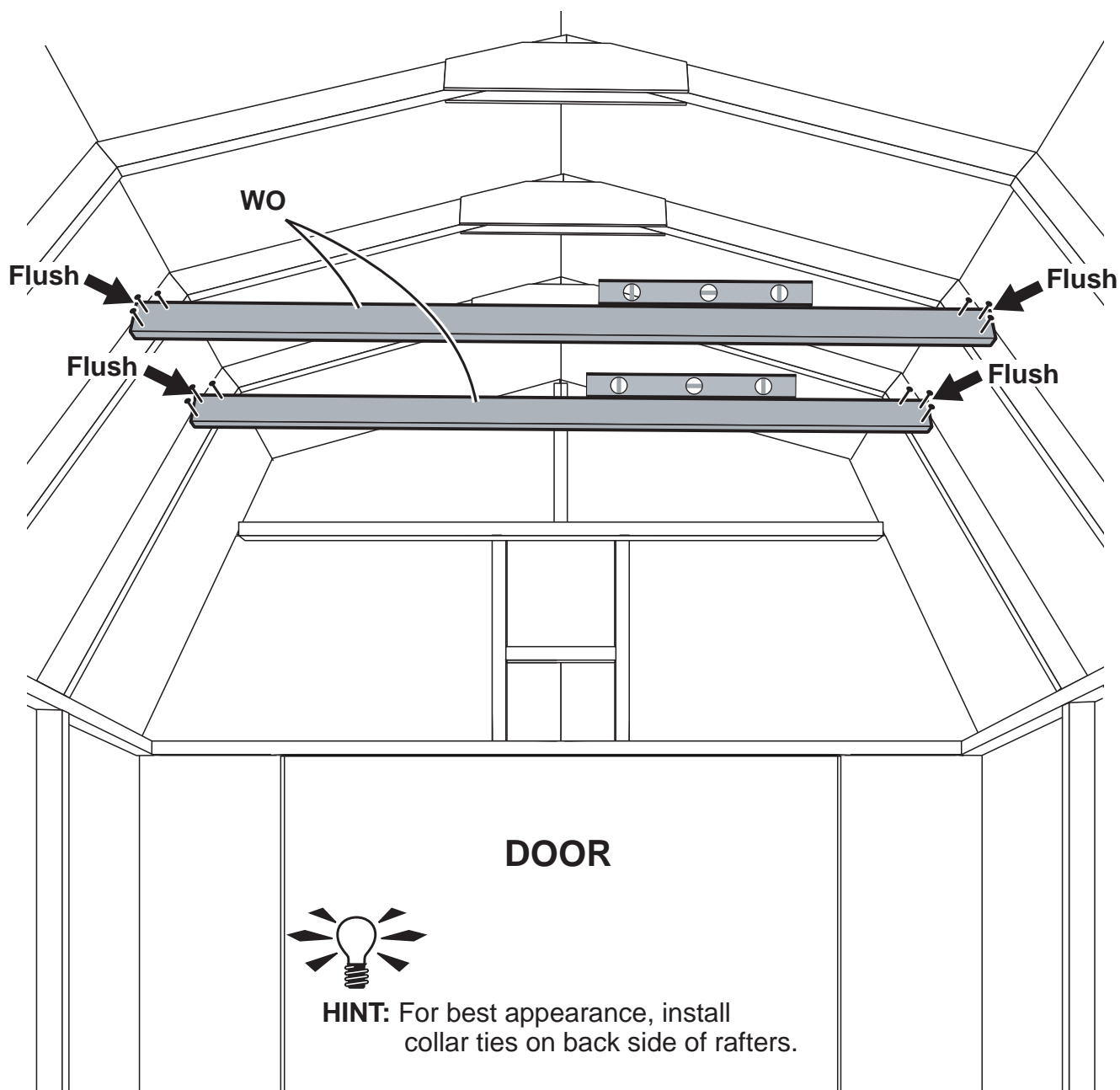
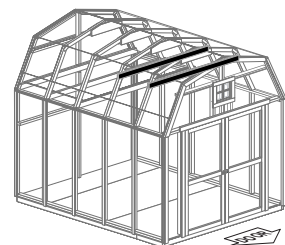
✓ BEGIN

- 1 Install collar tie **WO** on the two rafters closest to the door opening.
- 2 Use three 2" nails at each side of collar tie. Collar ties should be flush to the roof panels. Ensure the collar ties are level before nailing.



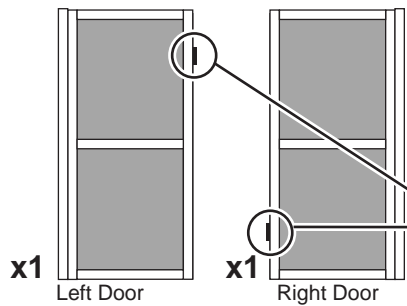
FINISH

- 3 You have finished attaching your collar ties.



DOORS

PARTS REQUIRED:



x1 **OO**
69" Door Stiffener (175,3 cm)

GAA
3/4"
GAUGE BLOCK

HINT:
Look for 3/8" SPACER
attached to doors.

x2 1-1/4" (3 cm)

x4 3" (7,6 cm)

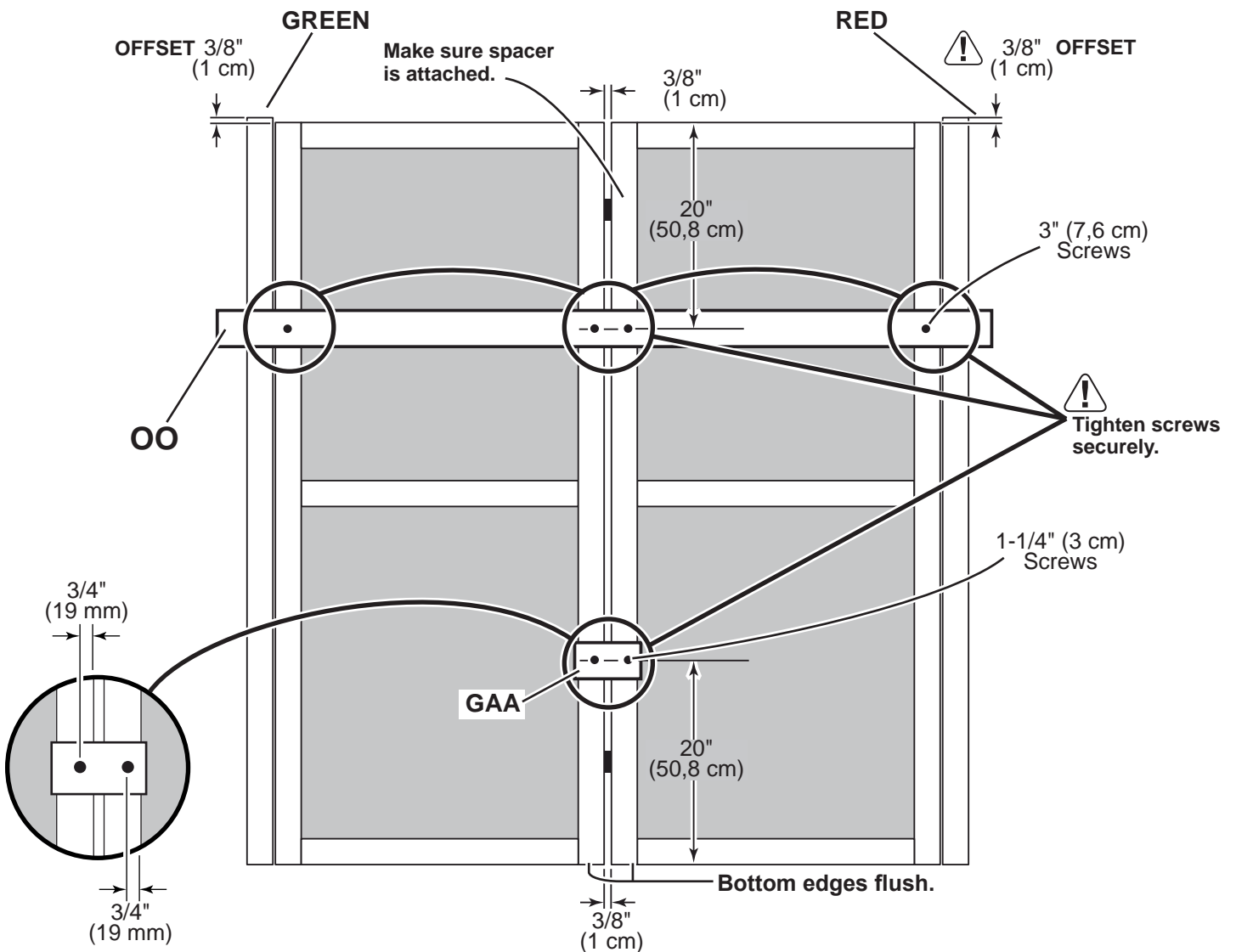
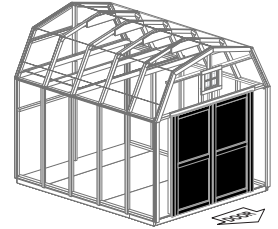


✓ BEGIN

1 Orient parts as shown on flat surface. 3/8" offset is to top. Look for red (right) and green (left) on hinge board.


2 Attach temporary support **OO** with 3" screws. Tighten securely.


Attach temporary support **GAA** at bottom with 1-1/4" screws. Tighten securely.



DOORS

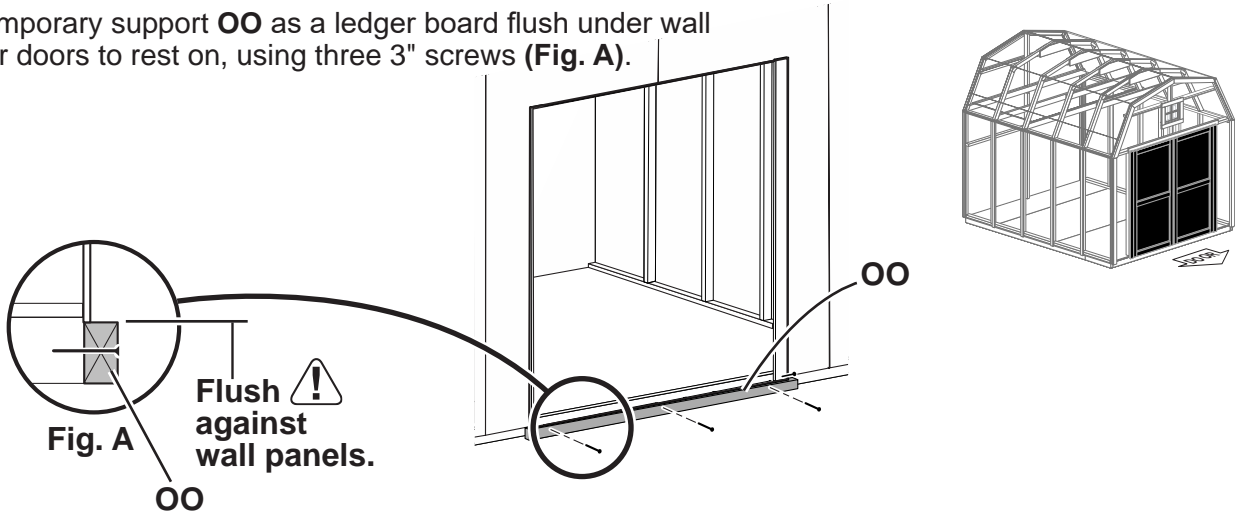
PARTS REQUIRED:


x1 
69" Door Stiffener (175,3 cm)

x7 
3" (7,6 cm)




3 Attach temporary support **OO** as a ledger board flush under wall panels for doors to rest on, using three 3" screws (Fig. A).



4 Center doors on panel seam as shown (Fig. B). 

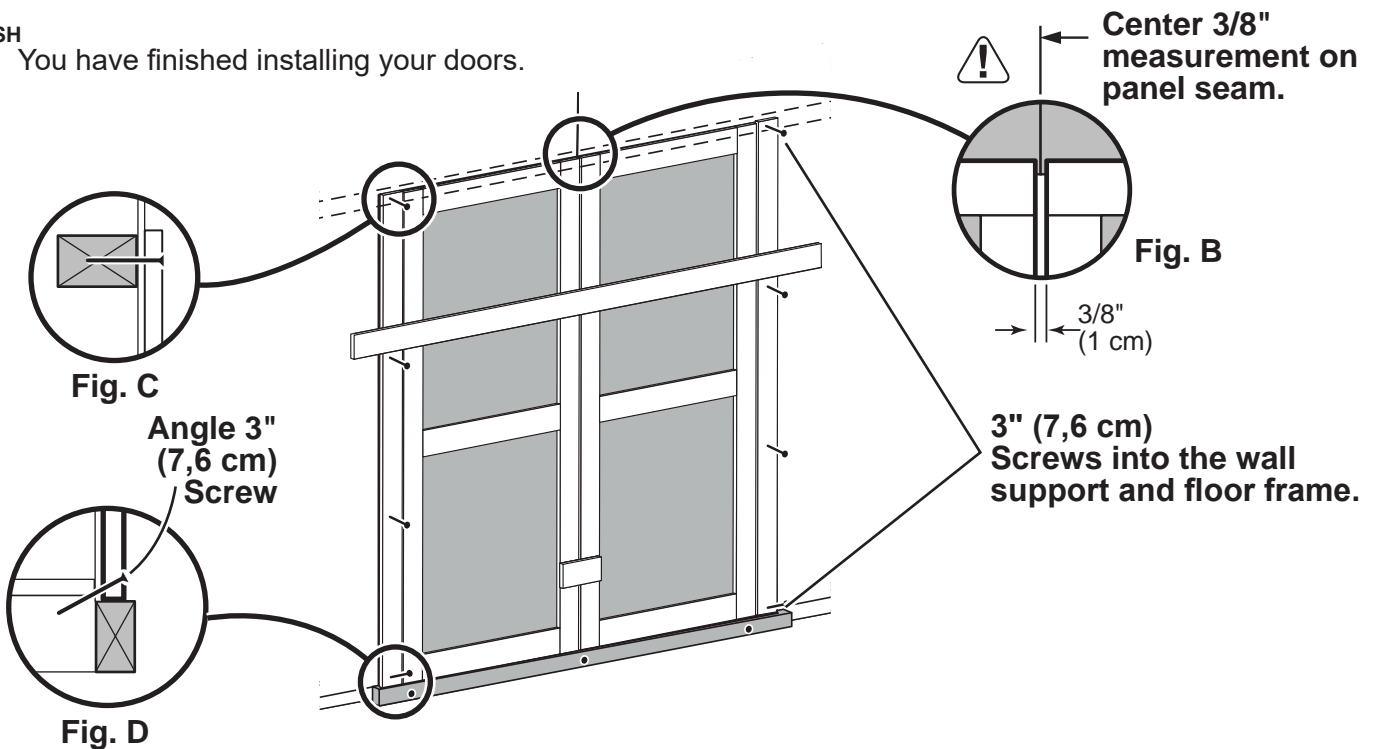
 Check ledger board is still flush under panels.

5 Screw hinge boards into wall supports and floor using four 3" screws as shown.
 Make sure screws go into framing and floor (Fig. C, D).

6 Remove temporary supports and check doors open properly.

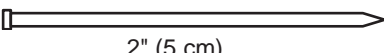
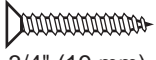



7 You have finished installing your doors.



DOORS

PARTS REQUIRED:

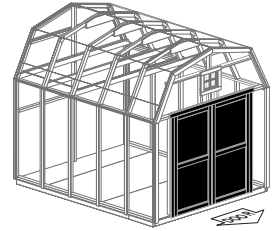
x8  2" (5 cm) x58  3/4" (19 mm)

x1  **ZJ**
5/8 x 3 x 72" (1,6 x 7,6 x 183 cm)



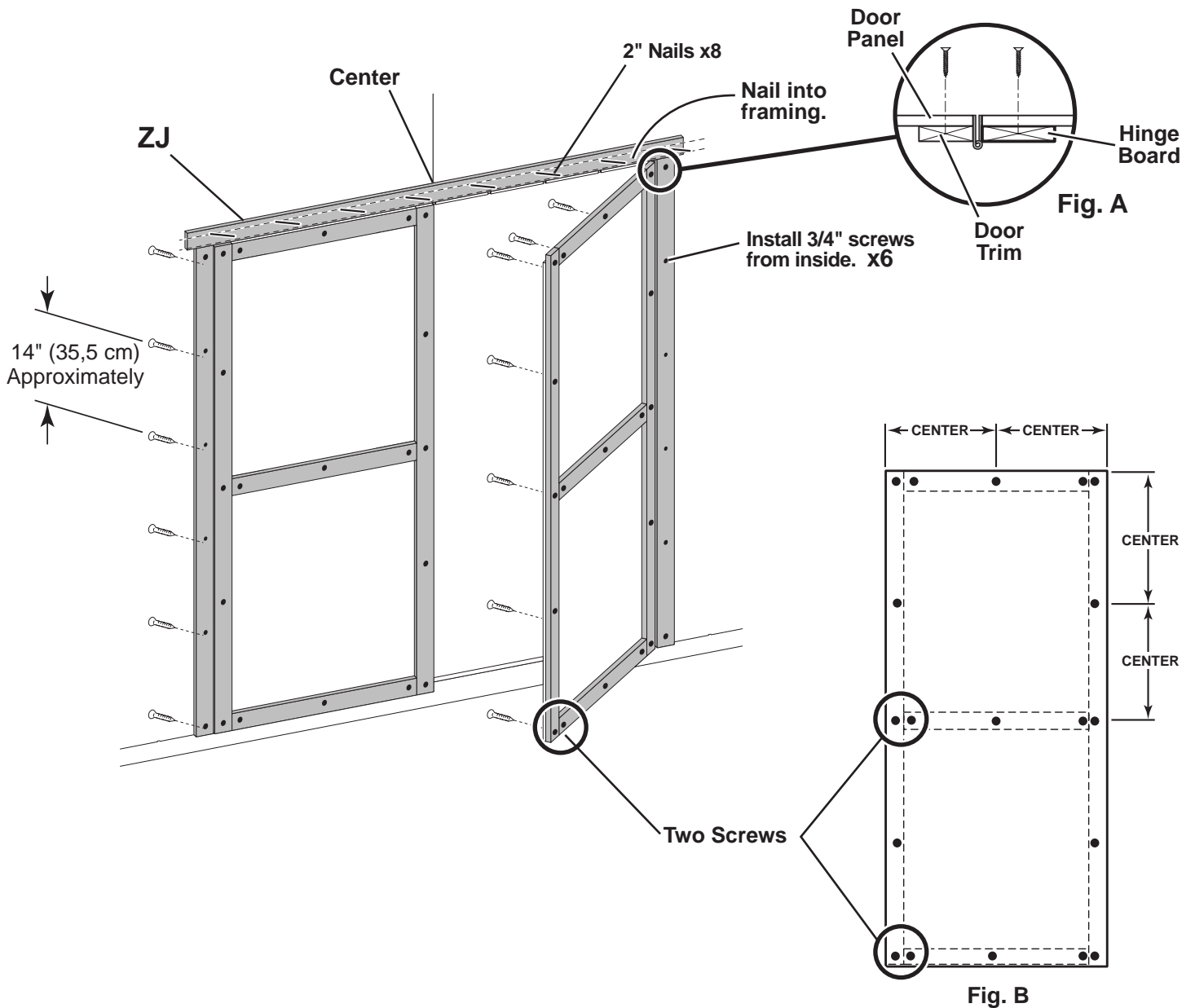
BEGIN

- 1 Secure hinge boards from inside using 3/4" screws as shown (Fig. A).
- 2 Reinforce the door trim using 3/4" screws through door panel into trim (Fig. A). Locate screws as shown in Fig. B. Use two screws at seams.
- 3 Center trim **ZJ** over doors and secure using eight 2" finish nails into framing as shown.



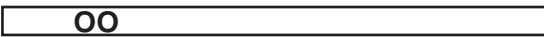
FINISH

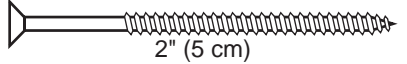
- 4 You have finished securing your doors and trim.



DOOR WEATHERSTRIP

PARTS REQUIRED:

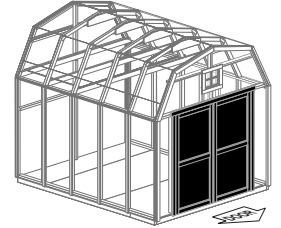
x2 
69" Door Stiffener (175 cm)

x14 
2" (5 cm)



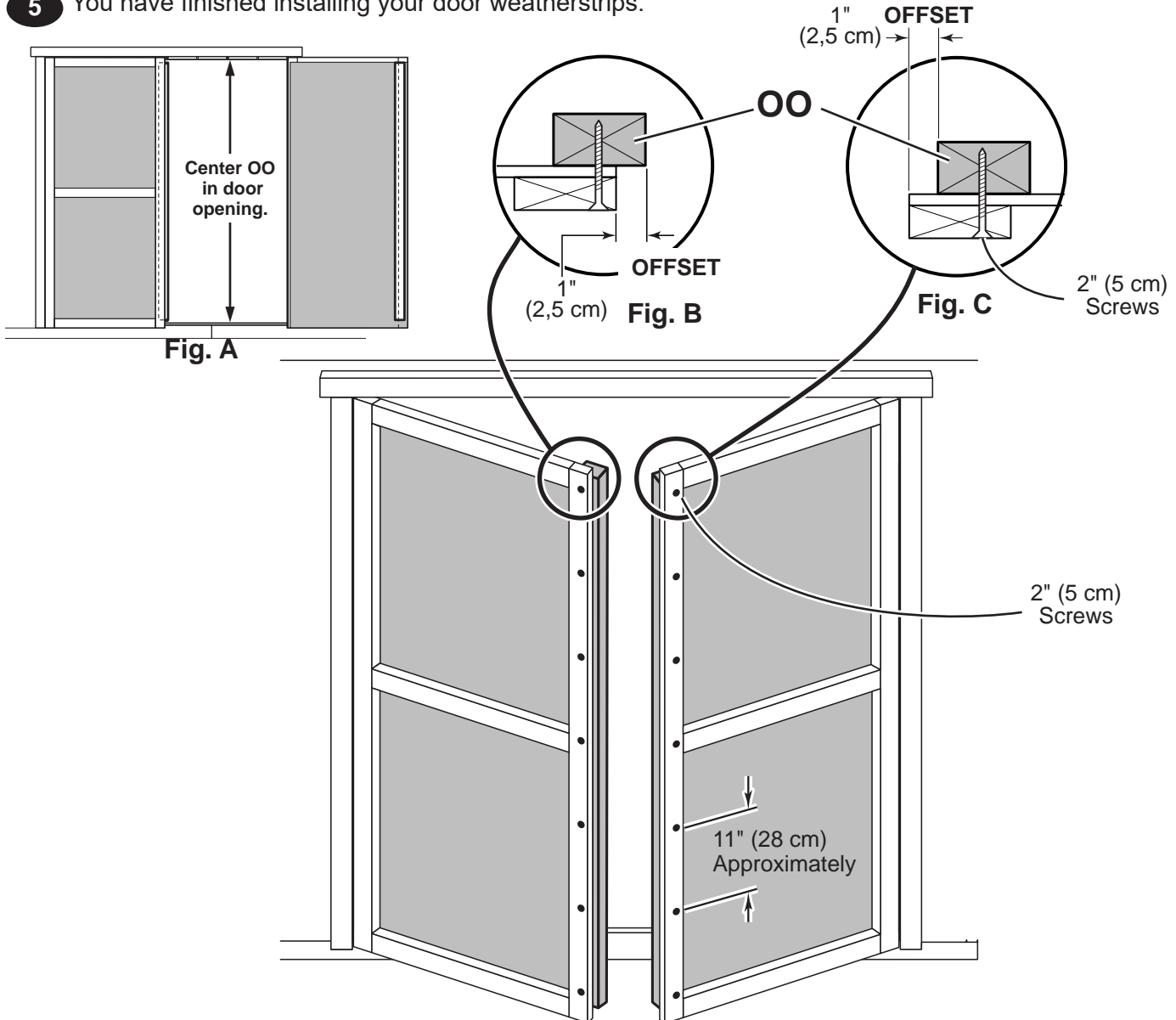
✓ BEGIN

- 1 With left door closed, center a weatherstrip **OO** vertically on the left door in the door opening (**Fig. A**). **OO** will offset the left door 1" OUT past the door trim 1" (**Fig. B**).
- 2 Secure **OO** using seven 3" screws through outside trim into **OO** (**Fig. B**)
- 3 On right door center **OO** vertically in door opening (**Fig. A**). **OO** will offset the right door 1" IN from the door trim (**Fig. C**).
- 4 Secure **OO** using seven 3" screws through outside trim into **OO** (**Fig. C**).



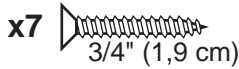
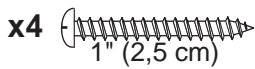
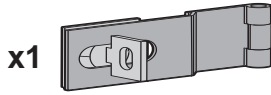
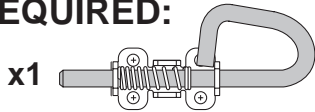
FINISH

- 5 You have finished installing your door weatherstrips.



DOOR HARDWARE

PARTS REQUIRED:



✓ BEGIN

1 Place bolt onto **OO** in open position with bolt end 3/8" down from frame. Bolt is open when loop is contacting base (**Fig A**).

Mark and pre-drill holes for screws.

2 Install bolt with screws supplied and drill 5/16" hole for bolt to extend into.

3 Install hasp on right door and latch on left door. Bottom edge of hasp is 35-1/2" (90 cm) up from bottom edge of door trim. Measure and mark locations and install with 3/4" screws as shown (**Fig B**).



4 You have finished mounting your door hardware.

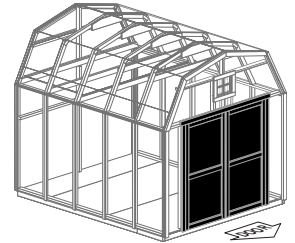


Fig. A

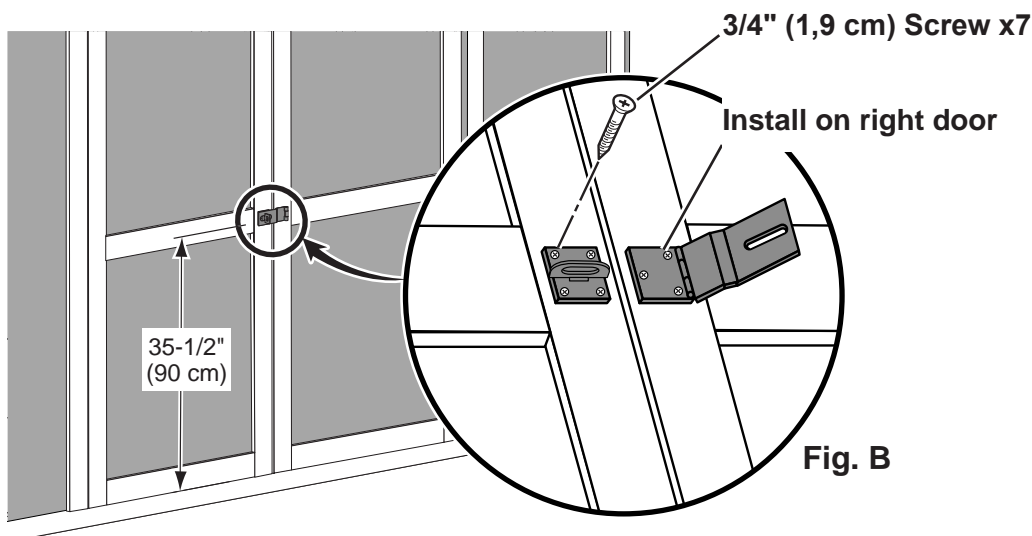
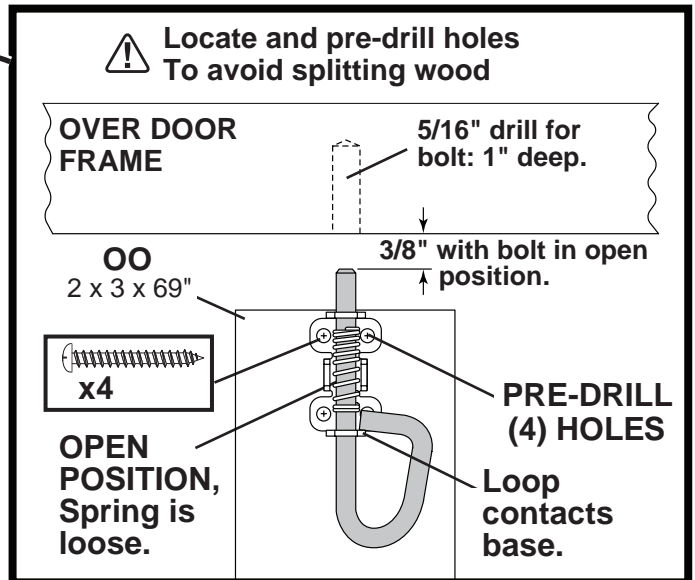
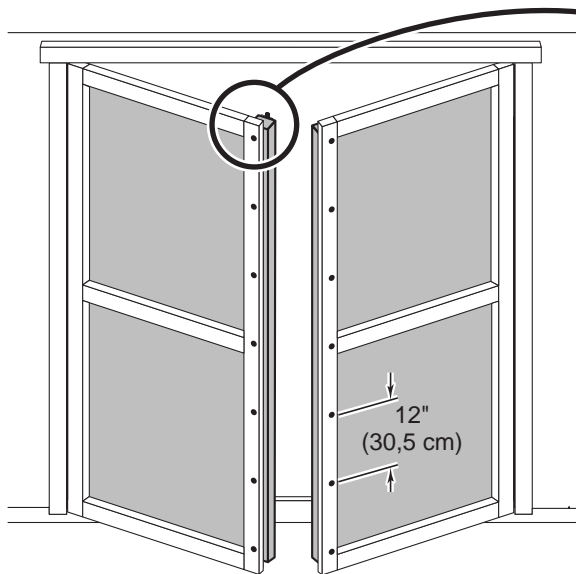
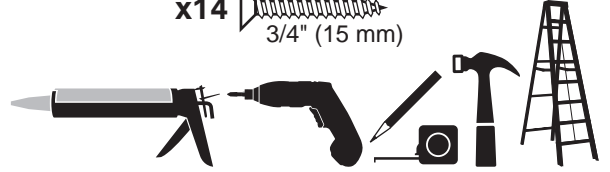
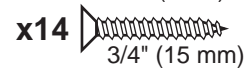
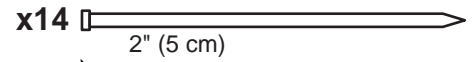
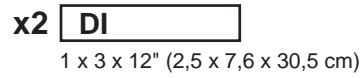
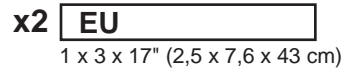
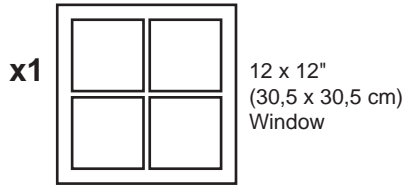


Fig. B

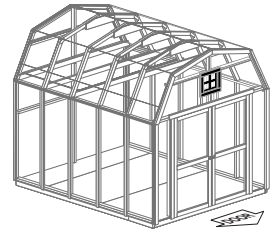
WINDOW

PARTS REQUIRED:



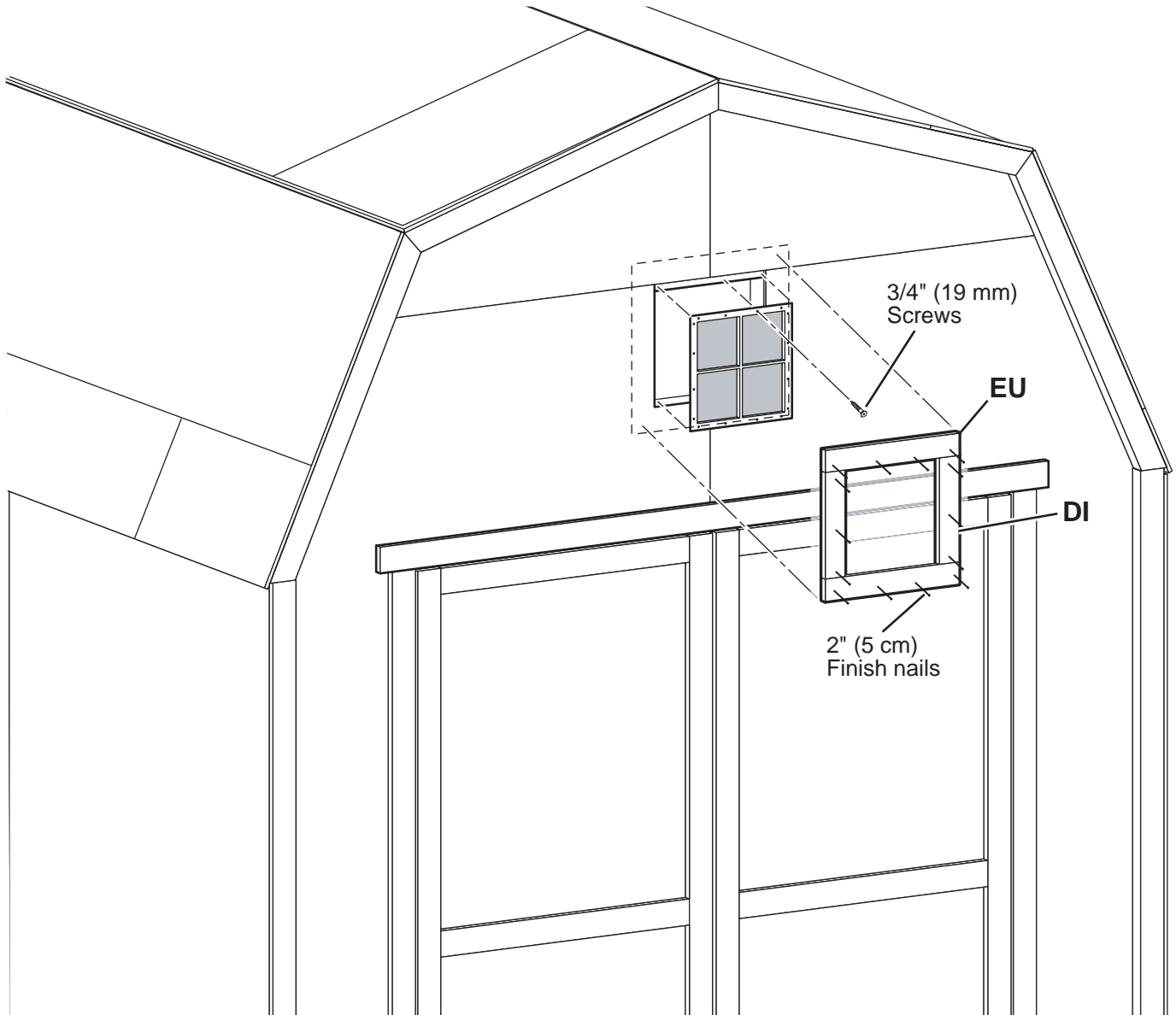
✓ BEGIN

- 1 Caulk behind window flange and secure window in opening using 3/4" screws as shown.
****You must caulk around outside of window to validate warranty****
- 2 Position **EU** and **DI** over window, and secure with 2" finish nails.




FINISH

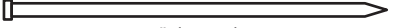
- 3 You have finished installing your window.

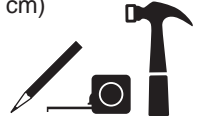


BATTENS

PARTS REQUIRED:

x8 
1-3/4 x 3 x 72" (4,4 cm x 7,6 x 183 cm)

x56 
2" (5 cm)



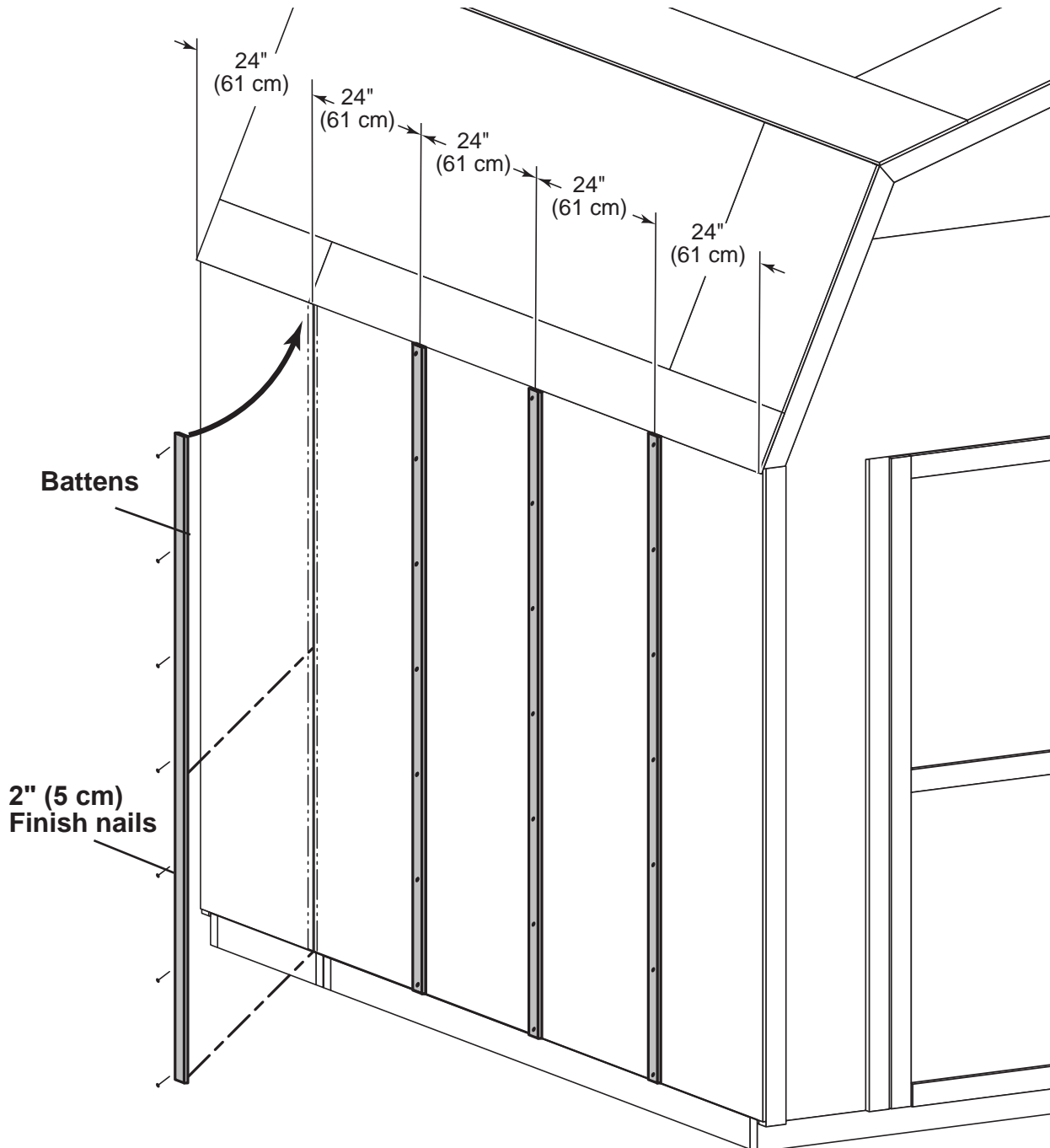
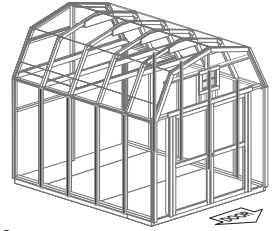
✓ **BEGIN**

- 1 Secure battens over wall studs and seams using 2" finish nails 12" apart. Repeat on other side.



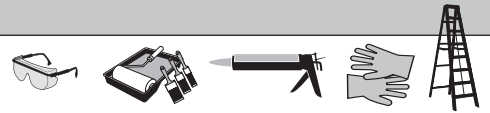
FINISH

- 2 You have finished installing your battens .



PAINT & CAULK

- NOT INCLUDED -



- Use acrylic latex caulk that is paintable. Caulk at all horizontal and vertical seams, between the trim and walls, and all around the door trim.
- Use a high quality exterior acrylic latex paint. When painting your building, there are a few key areas that can be easily overlooked that must be painted:
 - Bottom edge of all siding and trim
 - Inside of doors and all 4 edges

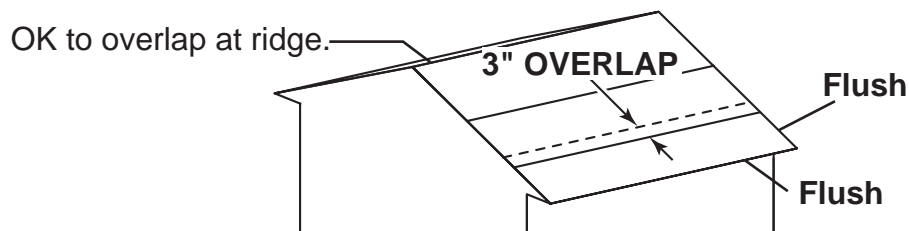
Note:

Prime all un-primed exterior wood before painting. (Follow directions provided by manufacturer.)

ROOF FELT

- NOT INCLUDED -

- Install felt flush to all roof edges overlapping 3". Use minimal amount of roofing nails to hold in place.

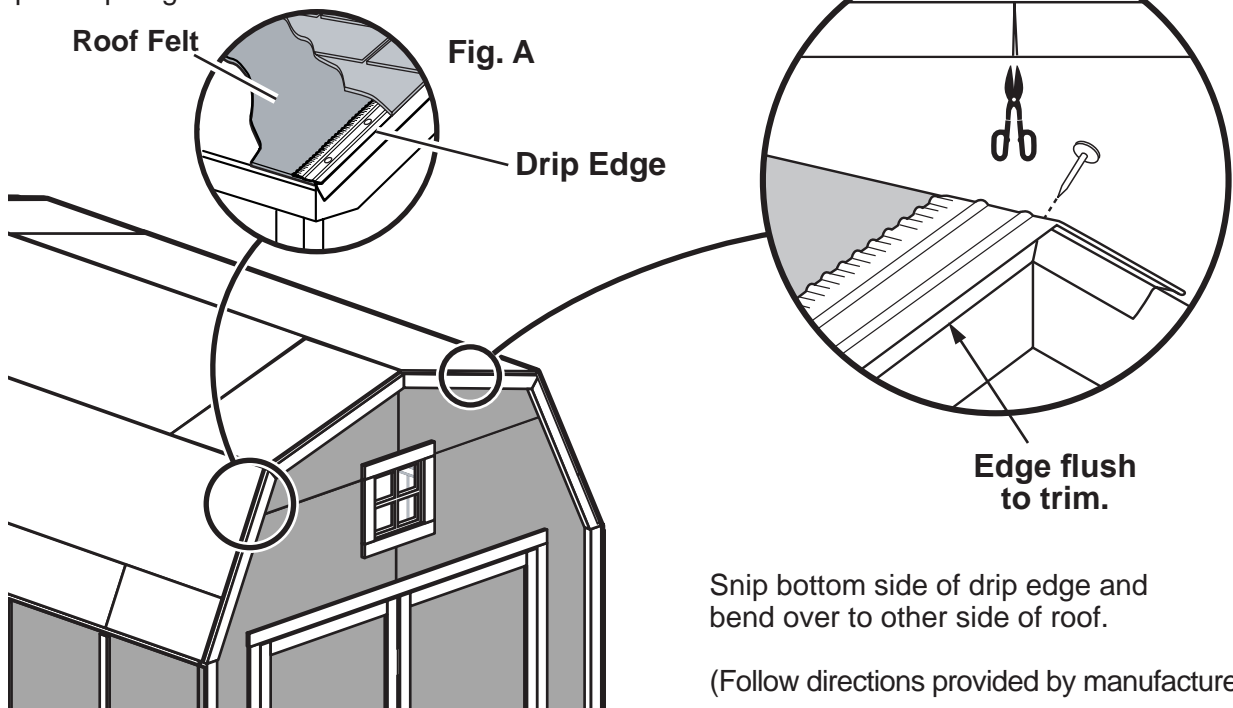


DRIP EDGE

- NOT INCLUDED -

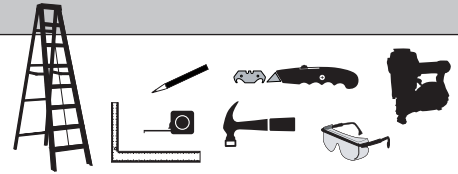


- Install over roof felt on gable side (**Fig. A**).
- Do not use nails on side of drip edge that hangs over side of building.
- Only nail top of drip edge as shown.

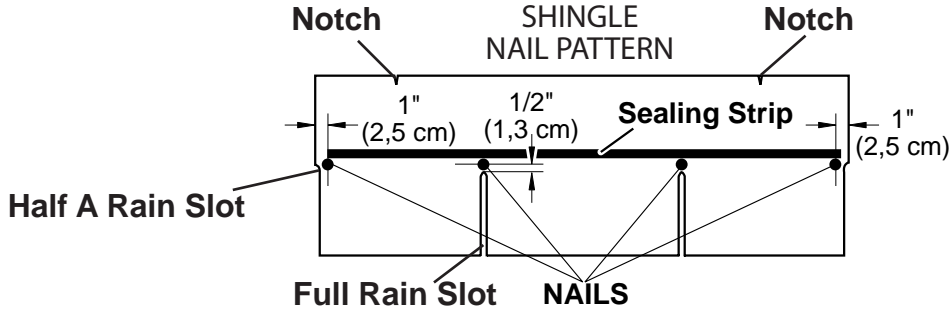


SHINGLES - NOT INCLUDED -

• Follow directions provided by manufacturer and these instructions.



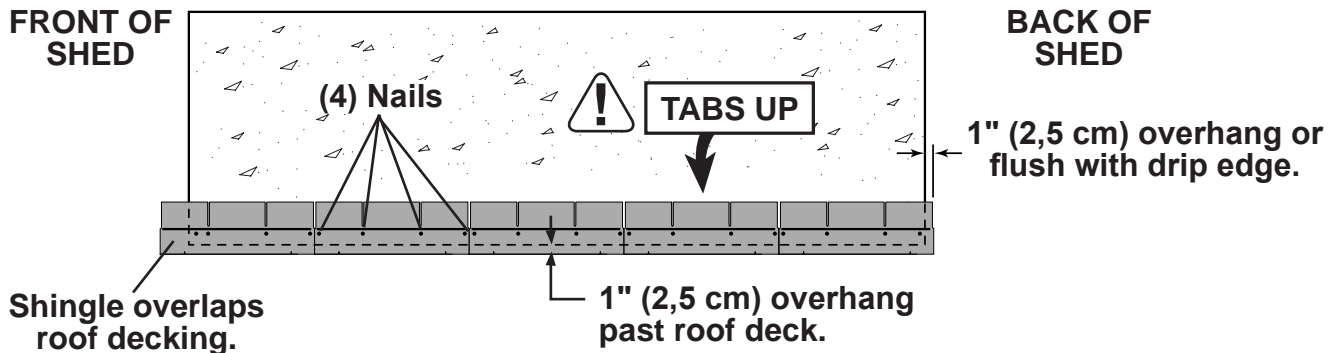
! Familiarize yourself with a 3-Tab Shingle.



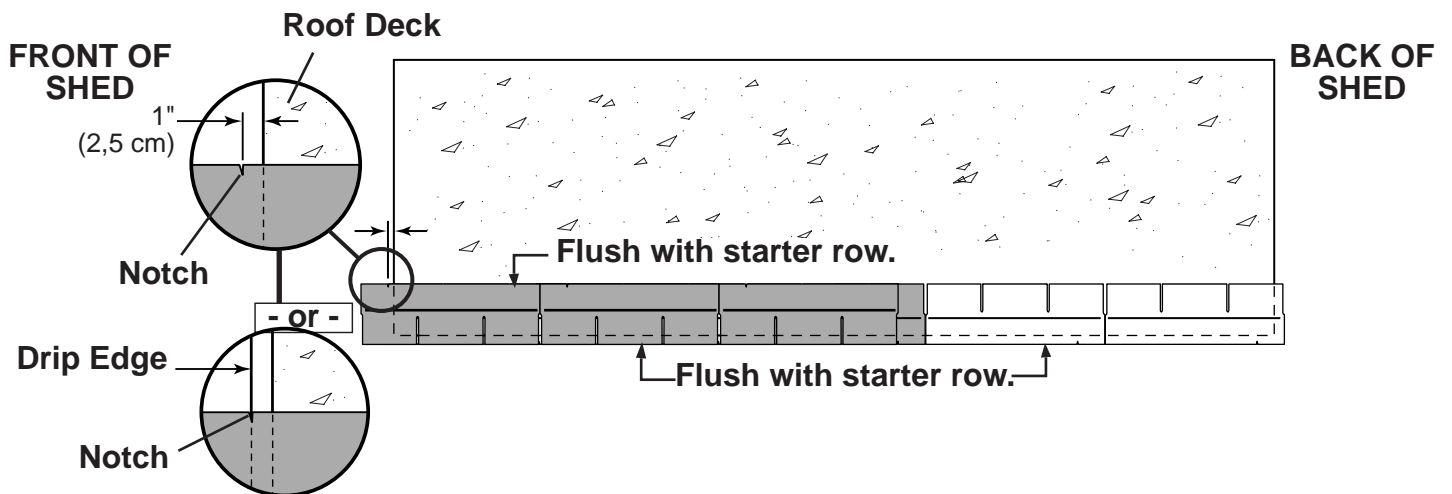
! NEVER DRIVE FASTENERS INTO OR ABOVE SEALING STRIPS.

✓ BEGIN

- 1** Install first starter row upside down and color up with a 1" overhang at back and bottom of roof panel. Use (4) nails per shingle. **Starter row must be straight and level all the way across with lower edge of roof deck.**
NOTE: If you have installed drip edge install shingles flush to drip edge.

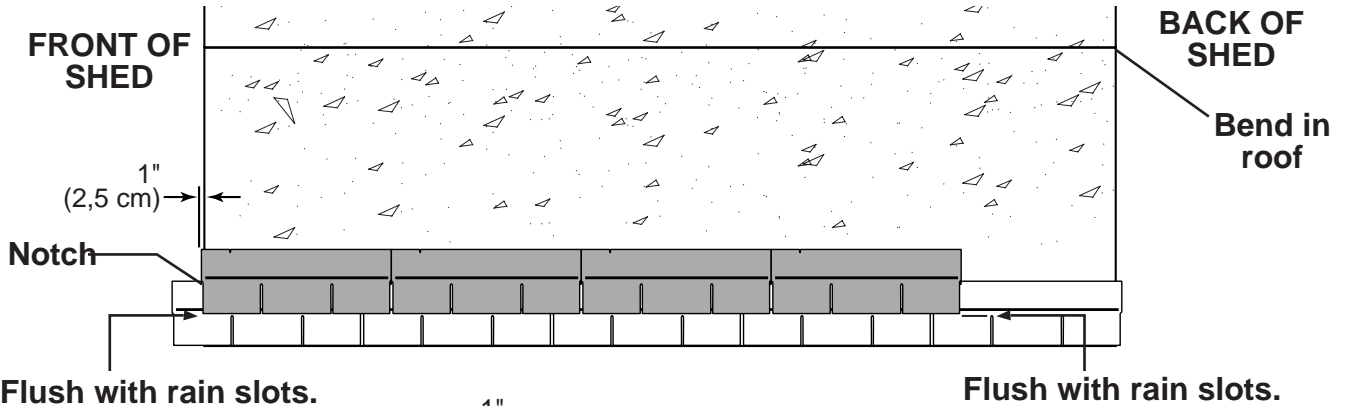


- 2** Beginning at front of shed, install first row of shingles with notch at 1" past roof edge or flush with drip edge.

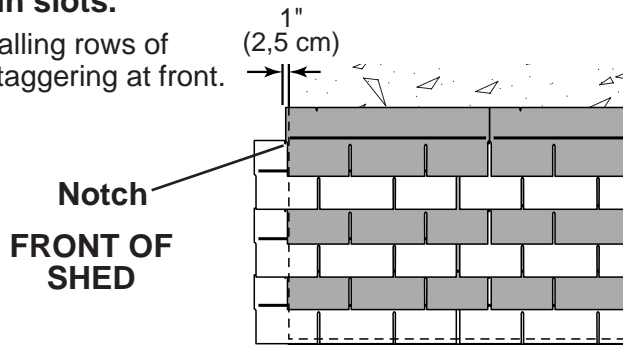


SHINGLES continued...

- 3** Install second row of shingles flush at top of first row's rain slots. Ensure 1" overhang or flush to drip edge at front, stagger each row.



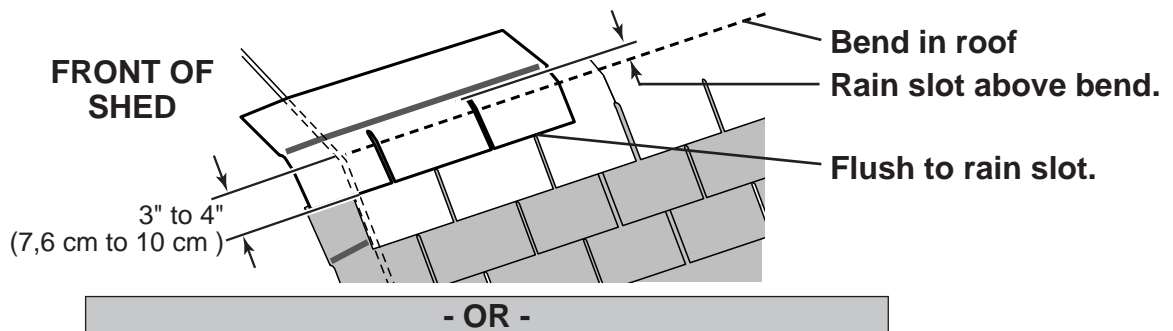
- 4** Continue installing rows of shingles by staggering at front.



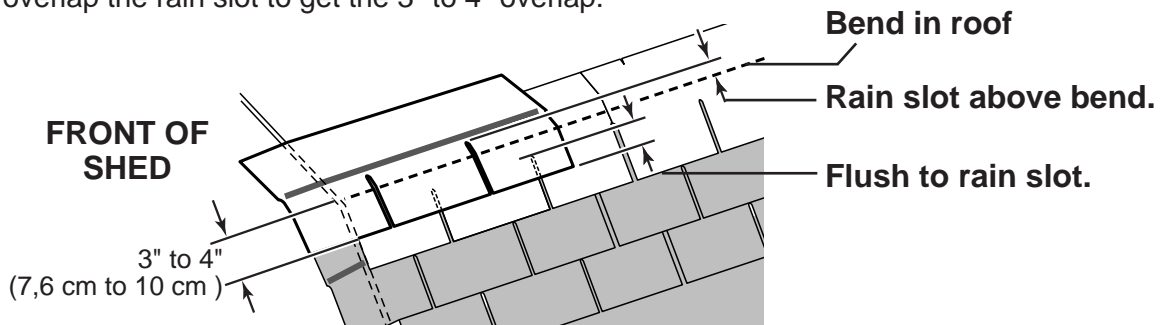
- 5** The shingle over the bend in the roof will be nailed down. You will need 3" to 4" of this shingle to extend downward over the bend for nailing.

Look for either of the following:

- If the rain slot of the shingle installed over the bend is ABOVE the bend and 3" to 4" of it overhangs down over the bend, continue shingling up to the peak. You have enough to nail shingle down over the bend.



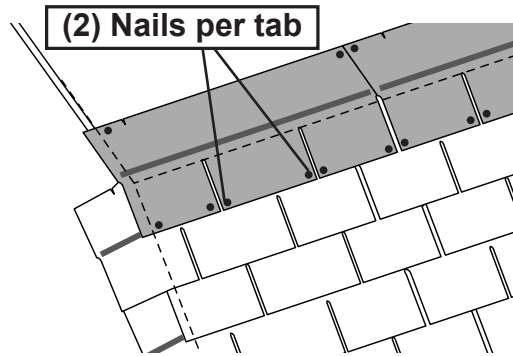
- If the rain slot of the shingle installed over the bend is BELOW the bend, install the shingle over the bend and overlap the rain slot to get the 3" to 4" overlap.



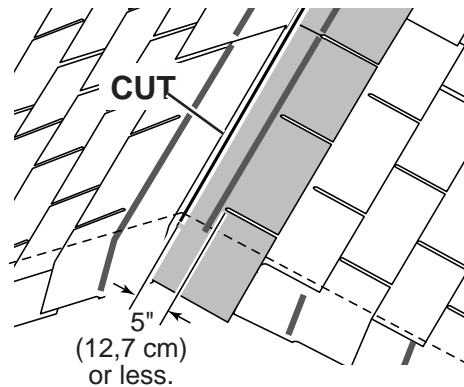
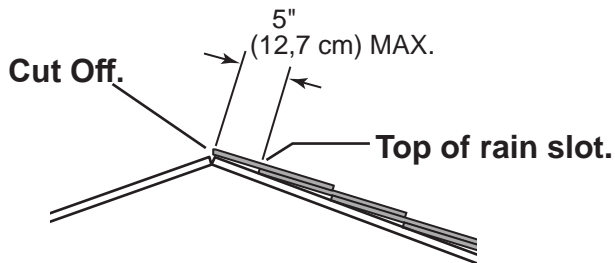
! The shingle OVER the bend must be installed with a 3" to 4" overlap **AND** the rain slot above the bend.

SHINGLES continued...

- 6 After shingles are installed over bend, nail down overlap using two roofing nails per tab.



- 7 Continue installing rows of shingles to the peak. At the peak make sure there is a maximum of 5" or less to the rain slot, as shown below. If shingles overlap at ridge cut to peak with a utility knife.

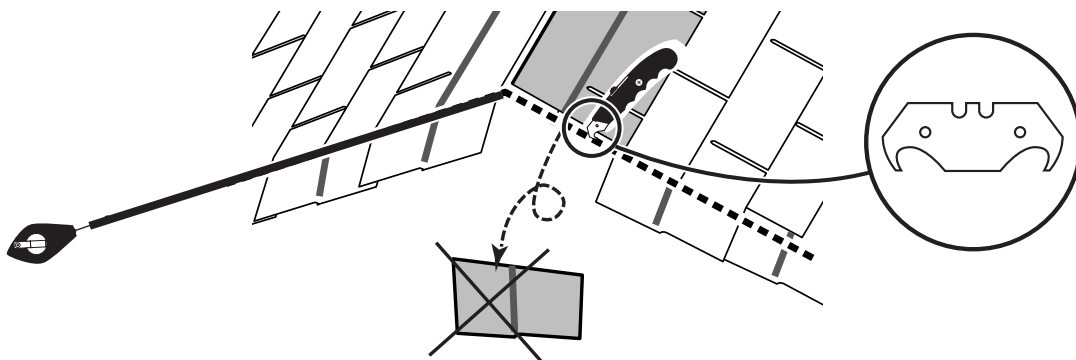


- ! • If more than 5" to rain slot you must install another row of shingles.

- 8 Repeat steps 1 - 7 to shingle the opposite side of your roof. Trim shingles at ridge.

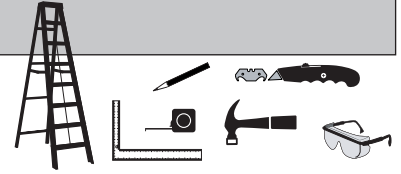
- 9 Once both sides are shingled you need to trim ends. Strike a chalk line 1" from edge.

- 10 Using your shingle hooked blade carefully cut shingles along chalk line.



- 11 You have finished shingling your roof. Proceed to capping the ridge.

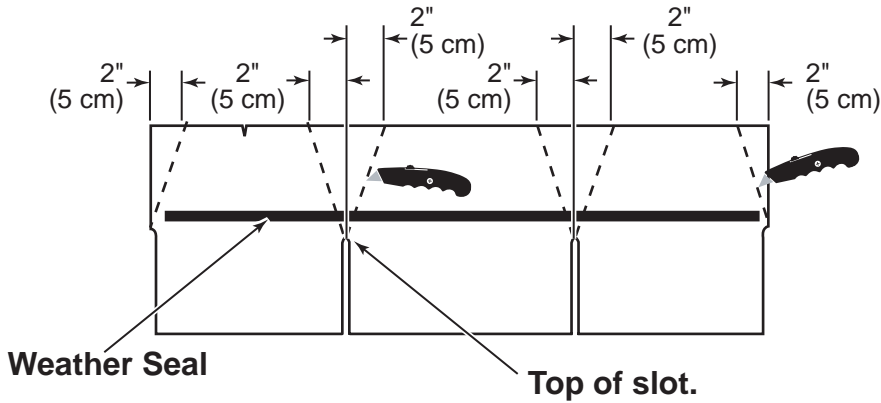
SHINGLES - RIDGE CAP



• You will finish off the top of the roof with a ridge cap made from shingles.

BEGIN

1 Cut shingles into THREE pieces. **Hint:** Use cut-off pieces first.

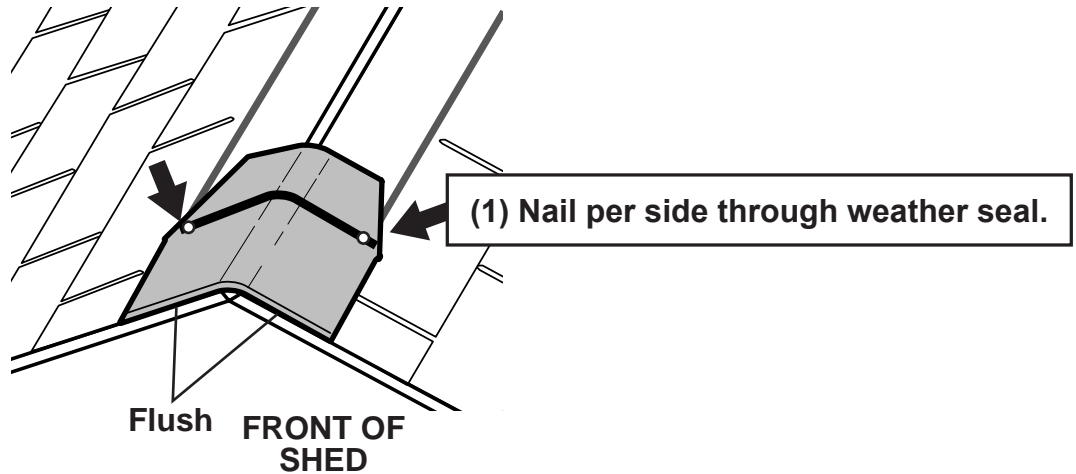


Score shingle, then snap-off angled cut.

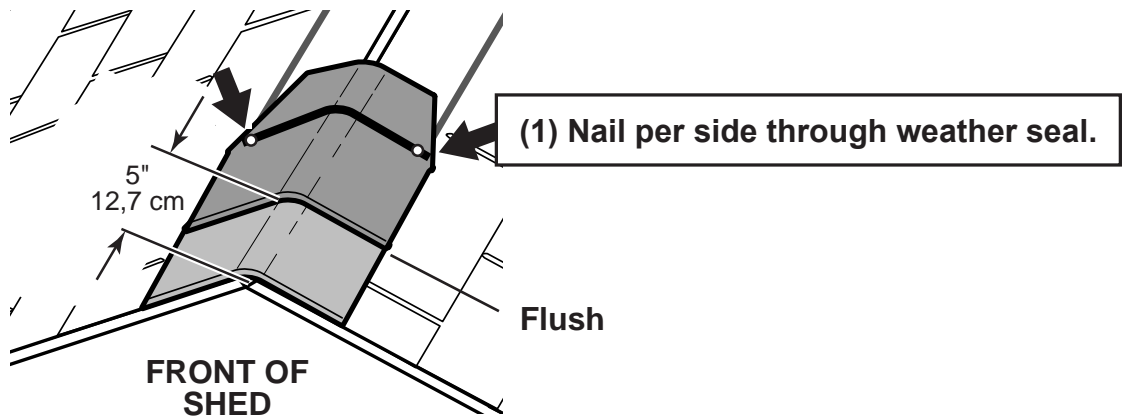
Note: • You will need about 20 - 22 cut pieces.



2 Install first ridge cap flush to shingles at front, as shown.

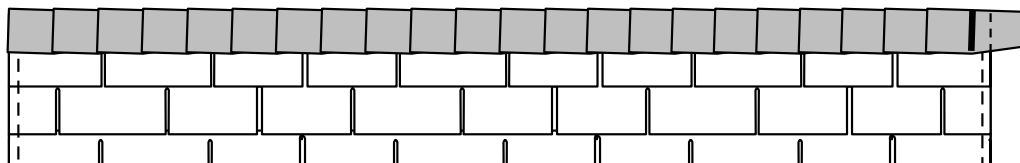


3 Install second ridge cap 5" back, as shown.

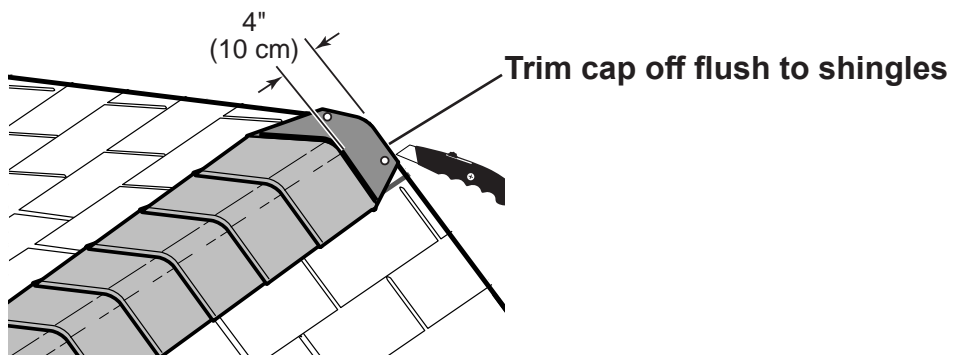


SHINGLES - RIDGE CAP continued...

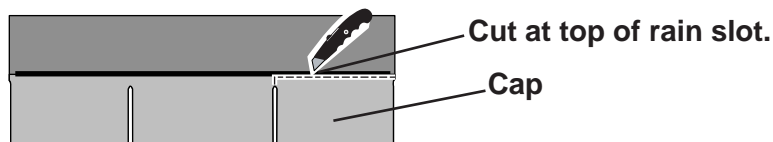
- 4 Continue installing ridge cap to back of roof.



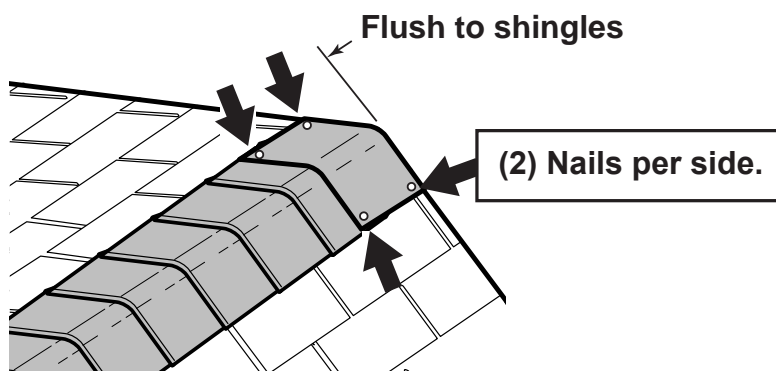
- 5 Make sure there is 4" between the shingle-color and edge of shingles.



- 6 When you have 4" minimum of shingle color cut one piece to cap your roof.



- 7 Install flush to shingles.



- 8 You have finished your ridge cap.

LIMITED CONDITIONAL WARRANTY*

Backyard Storage Solutions, LLC warrants the following:

1. Every product is warranted from defects in workmanship and manufacturing for 1 year.
2. All accessories, hardware and metal components are warranted for 2 years.
3. All Oriented Strand Board (OSB) is warranted for 2 years
4. Siding and Trim is warranted for 10 years.
5. Solar Shed windows are warranted for 1 year.
6. Cedar lumber is warranted for 15 years.
7. Preserved Pine is warranted for 10 years.
8. Redwood is warranted for 10 years.

Backyard Storage Solutions, LLC will repair, replace or pay for the affected part. In no event shall Backyard Storage Solutions, LLC pay the cost of labor or installation or any other costs related thereto. All warranties are from date of purchase. If a cash refund is paid on an affected part, it will be prorated from the date of purchase.

CONDITIONS

The warranty is effective only when:

1. The unit has been erected in accordance with the assembly instructions.
2. The unit has been properly shingled and painted or stained and reasonably and regularly maintained thereafter.
3. The failure occurs when the unit is owned by the original purchaser.
4. Backyard Storage Solutions, LLC has received the warranty registration card within thirty (30) days of purchase and notification of the failure in writing within the warranty period specified above.
5. Backyard Storage Solutions, LLC has had reasonable opportunity during the sixty (60) days following receipt of notification to inspect and verify the failure prior to commencement of any repair work.

REQUIREMENTS

Storage Buildings

To validate your warranty, it is necessary to properly maintain your Backyard Storage Solutions, LLC unit; shingle the roof and paint or solid-colored stain the siding using quality, 100% acrylic latex exterior product with a minimum of two (2) coats within thirty (30) days of assembly; caulk above all doors and all horizontal and vertical trim boards; paint and seal all exposed edges, sides and faces of siding/trim and OSB siding to include all exterior walls and all sides and all edges of doors.

Gazebos & Pergolas

To validate your warranty, it is necessary to properly maintain your Backyard Storage Solutions, LLC unit. This includes treating all of the exposed cedar and pine surfaces on your gazebo or pergola structure with an exterior grade wood preservative, an exterior oil-based semi-transparent stain, an acrylic latex exterior paint or an acrylic latex solid color exterior stain within 30 days of assembly and as needed thereafter to maintain your warranty.

Keep vegetation trimmed away from building and make sure siding panels and trim do not come in contact with masonry or cement. The minimum ground clearance for siding must be one half inch ($\frac{1}{2}$ inch) from concrete slab or two and one half inches ($2\frac{1}{2}$ ") from the ground when building is erected or constructed on a treated wood floor kit. Water from sprinklers must be kept off unit. In no event will Backyard Storage Solutions, LLC be responsible for any indirect, incidental, consequential or special damages nor for failure(s) that are caused by events, acts or omissions beyond our control including, but not limited to, misuse or improper assembly, improper maintenance (which eventually leads to rot or decay) and acts of God. Backyard Storage Solutions, LLC will not be held responsible for any labor costs incurred to construct your unit.

This warranty gives you certain specific rights that vary from state to state.

CLAIM PROCEDURE

To make a claim under this warranty, you can either call 1-888-827-9056 or email: customerservice@backyardproducts.com.

Please have ready the information below when you call or include the information in your email:

1. The model and size of the product.
2. A list of the part(s) for which the claim is made.
3. Proof of purchase of the Backyard Storage Solutions, LLC item, as shown on the original invoice or receipt.
4. Run code: found on exterior product label or assembly instructions enclosed in the product package.

All other inquiries can be mailed to:

Backyard Storage Solutions, LLC
Attn: Customer Service
1000 Ternes
Monroe, MI 48162

***WARRANTY TERMS MAY VARY OUTSIDE THE U.S.A.
IMPORTANT: This is your warranty certificate.**

10Y MV LDR: 3/20/2019