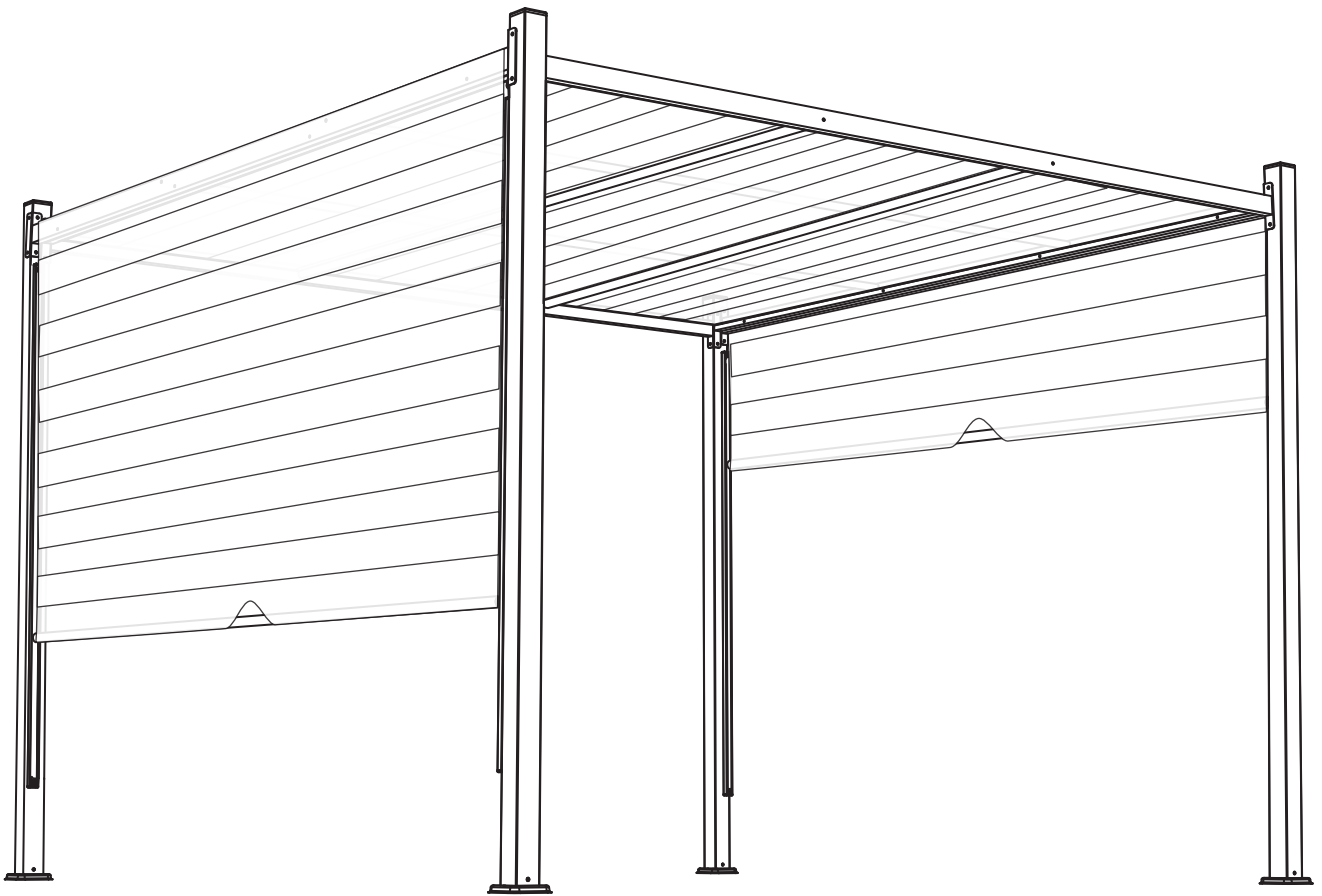


Item #1007 636 796
Model #844.0110.000

HAMPTON BAY®

USE AND CARE GUIDE

STILLMAN WHITE SHEER PERGOLA



Questions, problems, missing parts? Before returning to the store,
call Hampton Bay Customer Service
8 a.m. - 7 p.m., EST, Monday – Friday, 9 a.m. – 6 p.m., EST, Saturday

1-855-HD-HAMPTON

HAMPTONBAY.COM

THANK YOU

We appreciate the trust and confidence you have placed in Hampton Bay through the purchase of this pergola. We strive to continually create quality products designed to enhance your home. Visit us online to see our full line of products available for your home improvement needs. Thank you for choosing Hampton Bay!

Table of Contents

Table of Contents	2	Hardware Included.	3
Important Safety Instructions	2	Package Contents	4
Warranty	2	Assembly.	5-9
What is covered	2	Care and Cleaning	10
What is not covered.	2		
Pre-Assembly	3		
Planning Assembly.	3		


Important Safety Instructions


SAVE THESE INSTRUCTIONS

READ ALL INSTRUCTIONS BEFORE USE

To reduce the risk of injury to persons:

1. Close supervision is necessary when this furnishing is used by or near children, or disabled persons, if applicable.
2. Use this furnishing only for its intended use as described in these instructions. Do not use attachments not recommended by the manufacturer.

 **CAUTION:** Read all of the instructions in this manual before you begin assembly. Failure to do so may result in faulty assembly and potential injury!

 **WARNING: KEEP ALL FLAME AND HEAT SOURCES AWAY FROM THIS GAZEBO FABRIC.** This Gazebo is made with fabric that meets CPAI-84 specifications for flame resistance. It is not fire proof. That fabric will burn if left in continuous contact with any flame source. The application of any foreign substance to the gazebo fabric may render the flame-resistant properties ineffective.

Warranty

3 YEAR WARRANTY

WHAT IS COVERED

We warrant the product to be free of manufacturing defects to the original purchaser for three years.

WHAT IS NOT COVERED

It remains the customer's responsibility for freight and packaging charges to and from our service center. This warranty does not cover commercial use, hardware, acts of nature, freezing, or abusive use. In addition, purchased parts are not covered under this warranty.

We reserve the right to make substitutions with similar merchandise, if the model in question is no longer in production.


Contact Customer Care at 1-855-HD-HAMPTON or visit www.hamptonbay.com.

Pre-Assembly


PLANNING ASSEMBLY

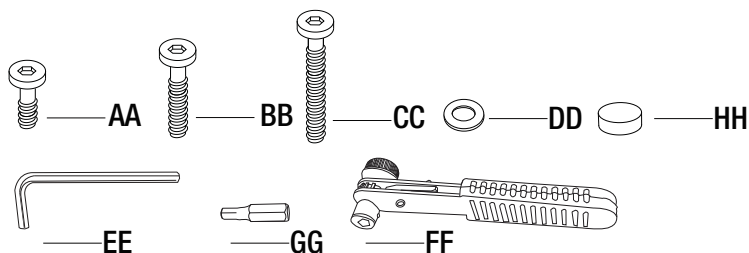
Please read this entire instruction manual prior to assembly.

Identify all parts packed in the carton against the parts list. Remove all protective materials and place the parts on a non-abrasive surface to avoid scratching.


 **NOTE:** More than one person may be required to assemble this product.

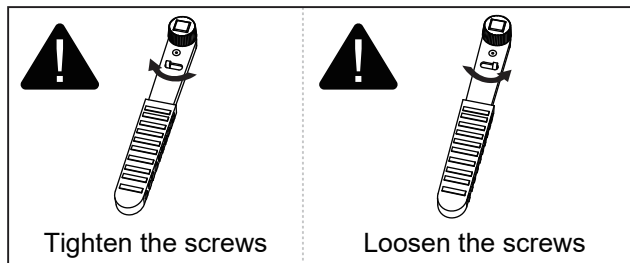
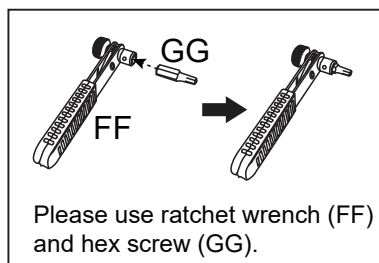
HARDWARE INCLUDED

 **NOTE:** Hardware not shown to actual size.



Part	Description	Quantity
AA	M6x15 bolt	40
BB	M6x30 bolt	4
CC	M6x60 bolt	16
DD	Washer	56
HH	Bolt cap	56
EE	Allen driver	1
GG	Hex screw (6mm)	1
FF	Ratchet wrench	1

 **NOTE:** Part GG and FF are additional tools, same function as part EE but much easier to use.

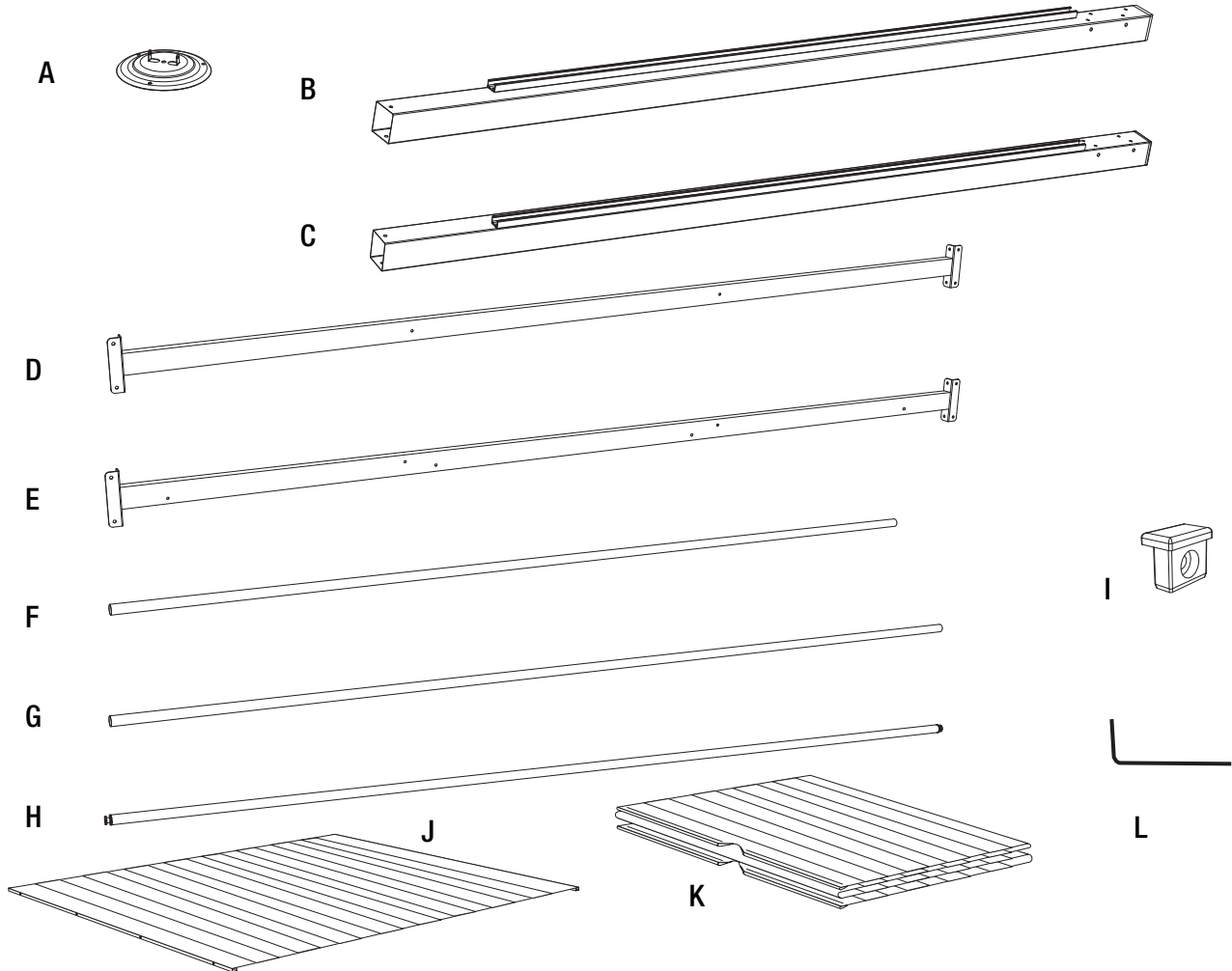


Pre-Assembly

PACKAGE CONTENTS



IMPORTANT: Do not fully tighten bolts/screws until all pieces are loosely assembled.



Part	Description	Quantity
A	Post base	4
B	Post 1	2
C	Post 2	2
D	Beam 1	2
E	Beam 2	2
F	Beam support tube 1	2
G	Beam support tube 2	2
H	Fabric rod	2
I	Cap	4
J	Top canopy	1
K	Side canopy	1
L	Nail	12

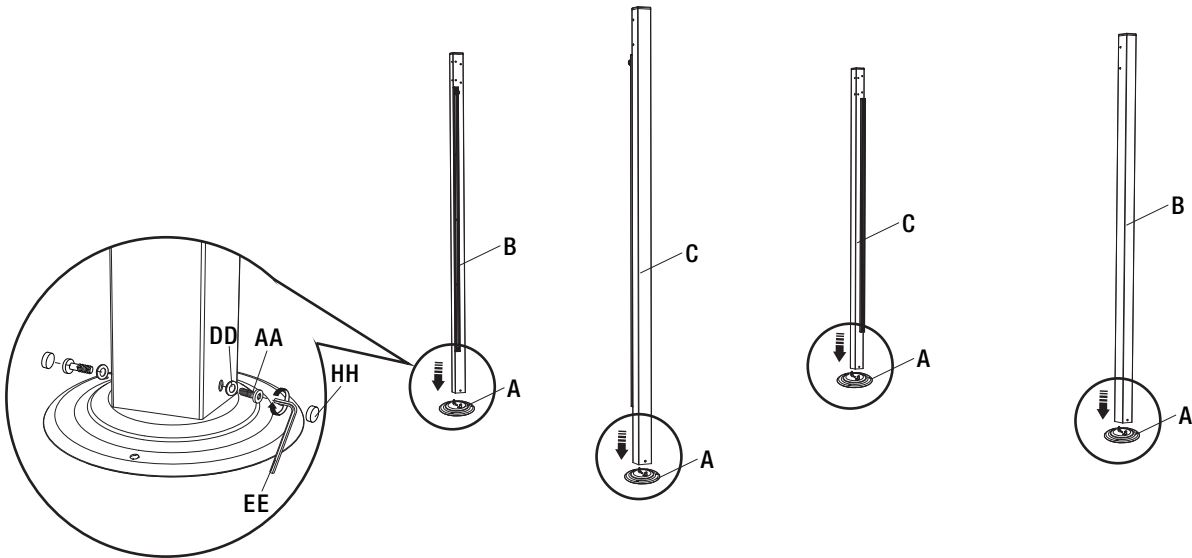
Assembly

1 Attaching the post to the post base

- Attach the post 1 (B) and post 2 (C) to the post base (A) using M6 bolts (AA) and washers (DD).



NOTE: Please ensure all the bolts are assembled correctly and use the Allen driver (EE) to tighten. Do not fully tighten bolts/screws until all pieces are loosely assembled. Add corresponding bolt caps (HH) after final assembly is finished.

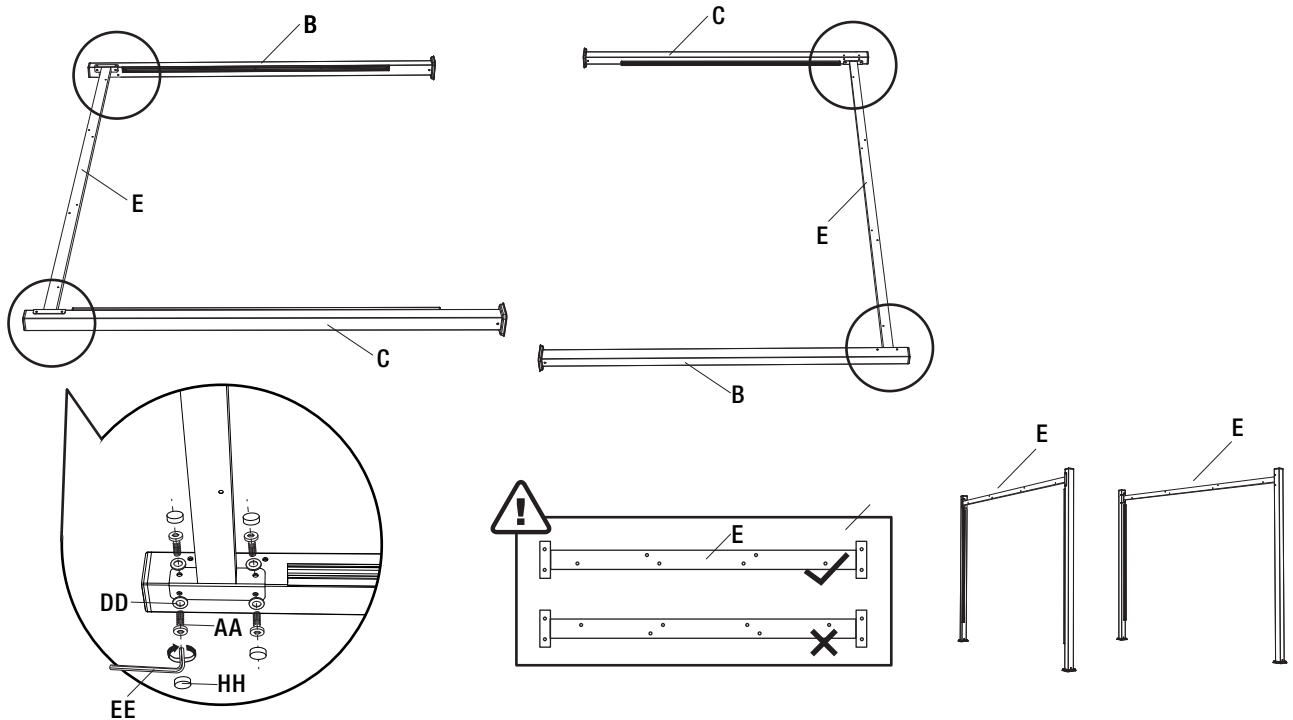


2 Attaching the beam to the post

- Attach the beam 2 (E) to the post 1 (B) and post 2 (C) using M6 bolts (AA) and washers (DD). Then stand up the post.



NOTE: Please ensure all the bolts are assembled correctly and use the Allen driver (EE) to tighten. Do not fully tighten bolts/screws until all pieces are loosely assembled. Add corresponding bolt caps (HH) after final assembly is finished.



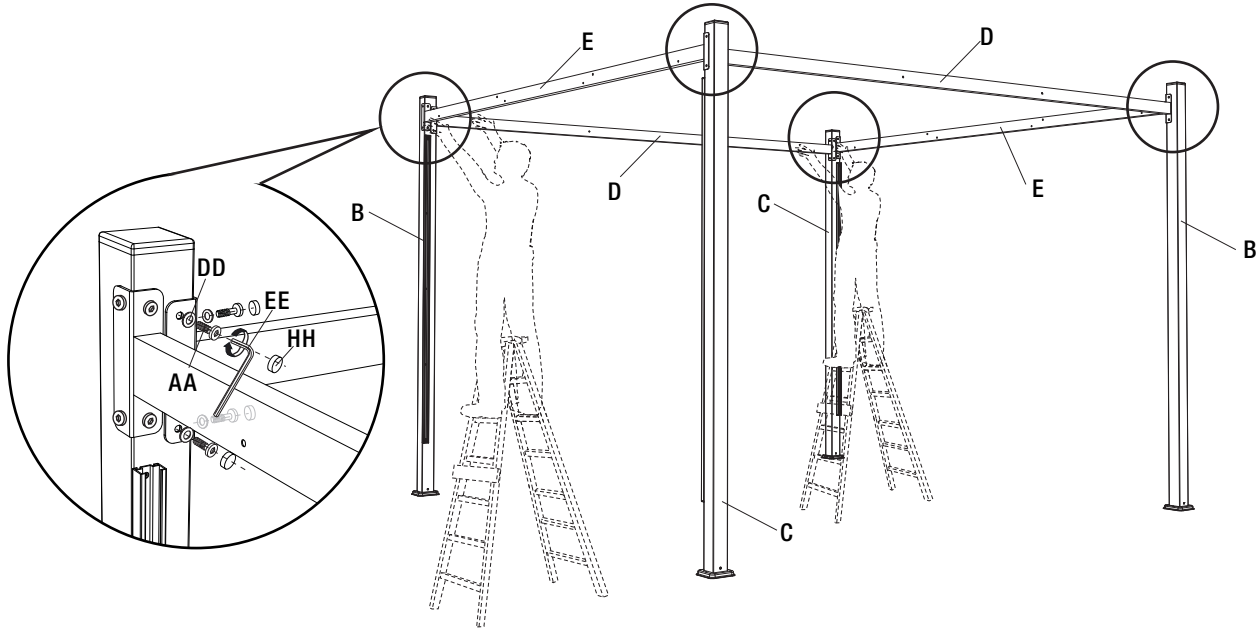
Assembly

3 Attaching the beam to the post

- Attach the beam 1 (D) to the post 1 (B) and post 2 (C) using M6 bolts (AA) and washers (DD).



NOTE: Please ensure all the bolts are assembled correctly and use the Allen driver (EE) to tighten. Do not fully tighten bolts/screws until all pieces are loosely assembled. Add corresponding bolt caps (HH) after final assembly is finished.

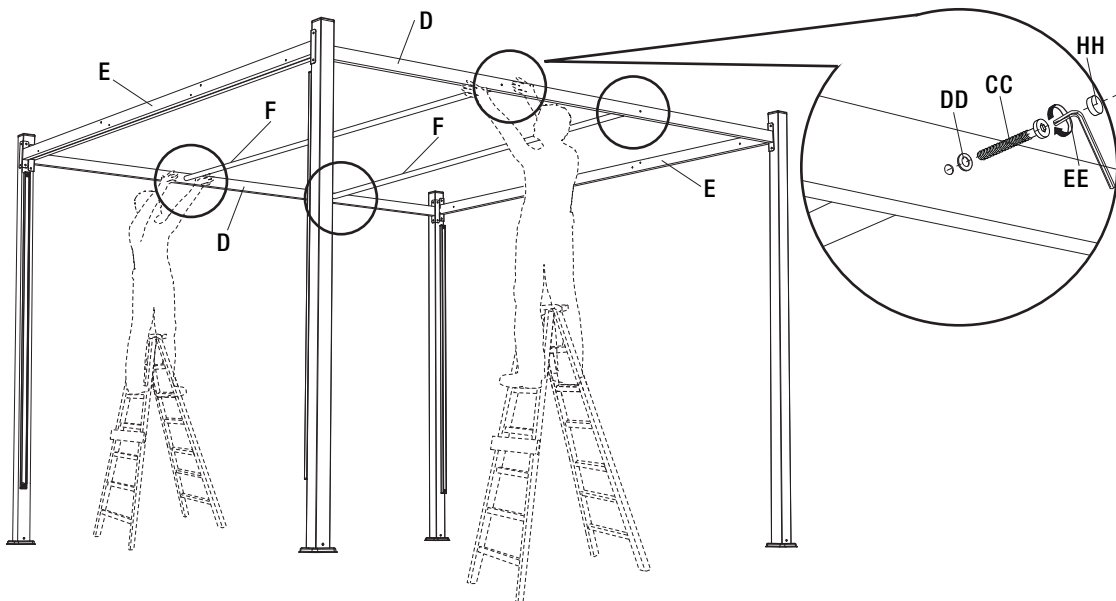


4 Attaching the beam support tube to the beam

- Attach the beam support tube 1 (F) to the beam 1 (D) using M6 bolts (CC) and washers (DD).



NOTE: Please ensure all the bolts are assembled correctly and use the Allen driver (EE) to tighten. Do not fully tighten bolts/screws until all pieces are loosely assembled. Add corresponding bolt caps (HH) after final assembly is finished.



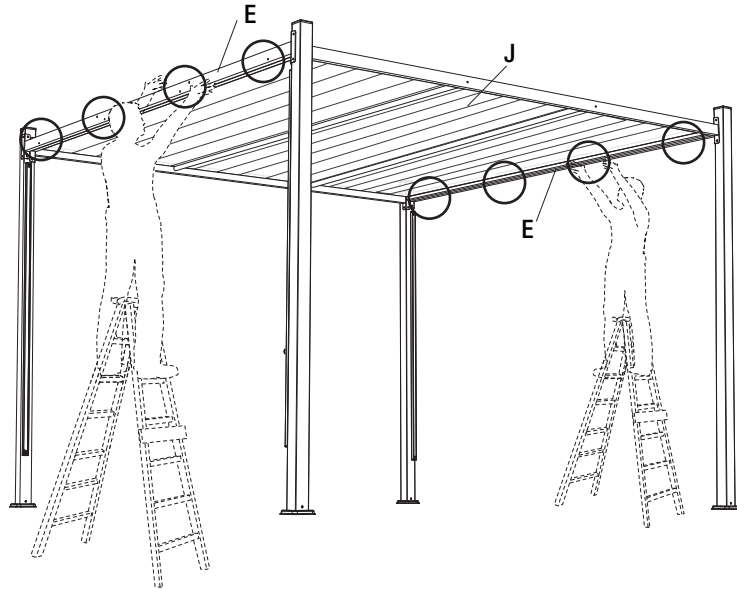
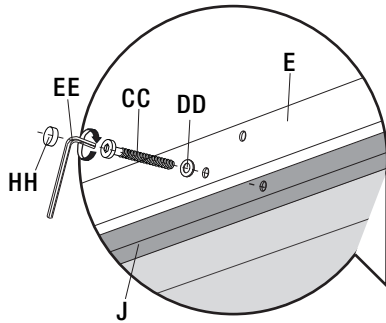
Assembly

5 Attaching the top canopy to the beam

- Attach the top canopy (J) to the beam 2 (E) using M6 bolts (CC) and washers (DD).



NOTE: Please ensure all the bolts are assembled correctly and use the Allen driver (EE) to tighten. Do not fully tighten bolts/screws until all pieces are loosely assembled. Add corresponding bolt caps (HH) after final assembly is finished.

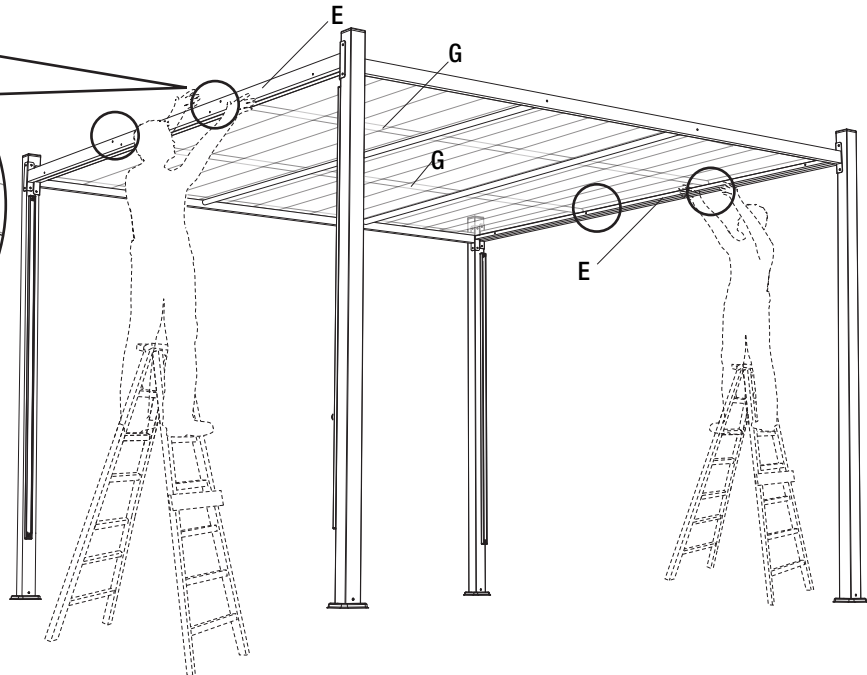
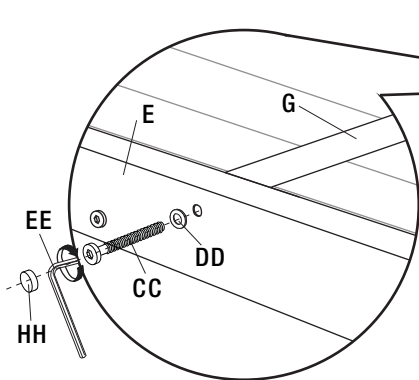


6 Attaching the beam support tube to the beam

- Attach the beam support tube 2 (G) to the beam 2 (E) using M6 bolts (CC) and washers (DD).



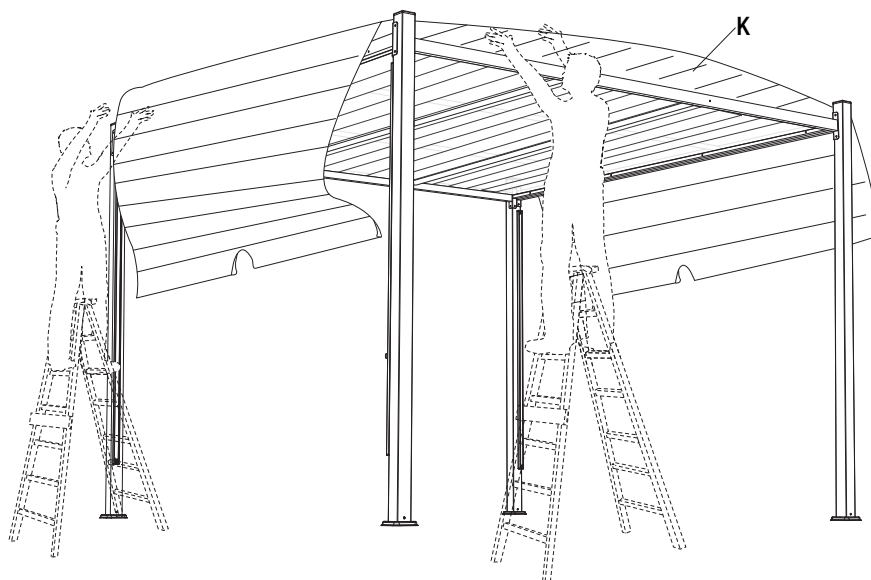
NOTE: Please ensure all the bolts are assembled correctly and use the Allen driver (EE) to tighten. Do not fully tighten bolts/screws until all pieces are loosely assembled. Add corresponding bolt caps (HH) after final assembly is finished.



Assembly

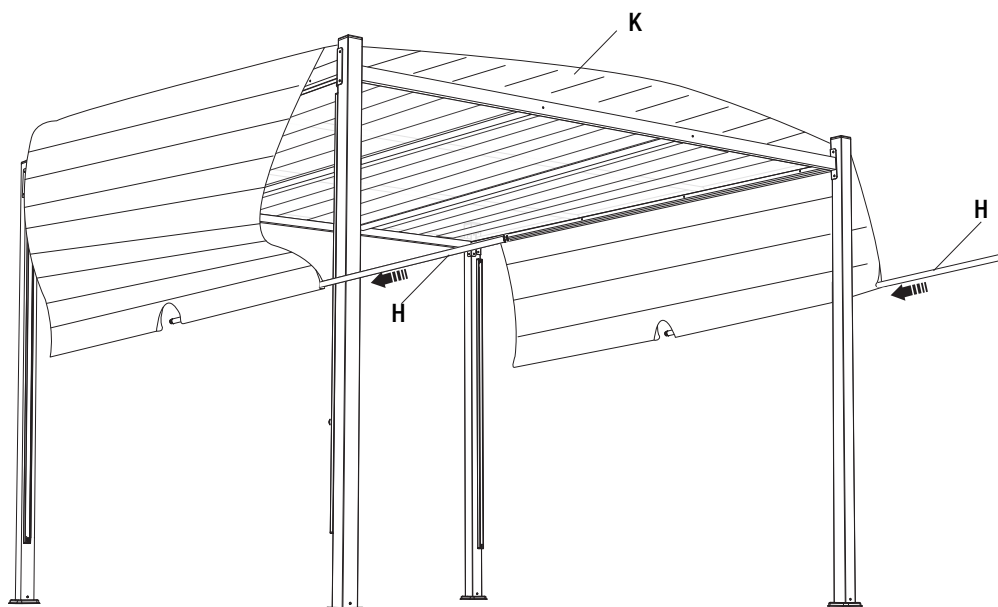
7 Placing the side canopy

- Place the side canopy (K) over to the beam.



8 Inserting the fabric rods (H) into the side canopy

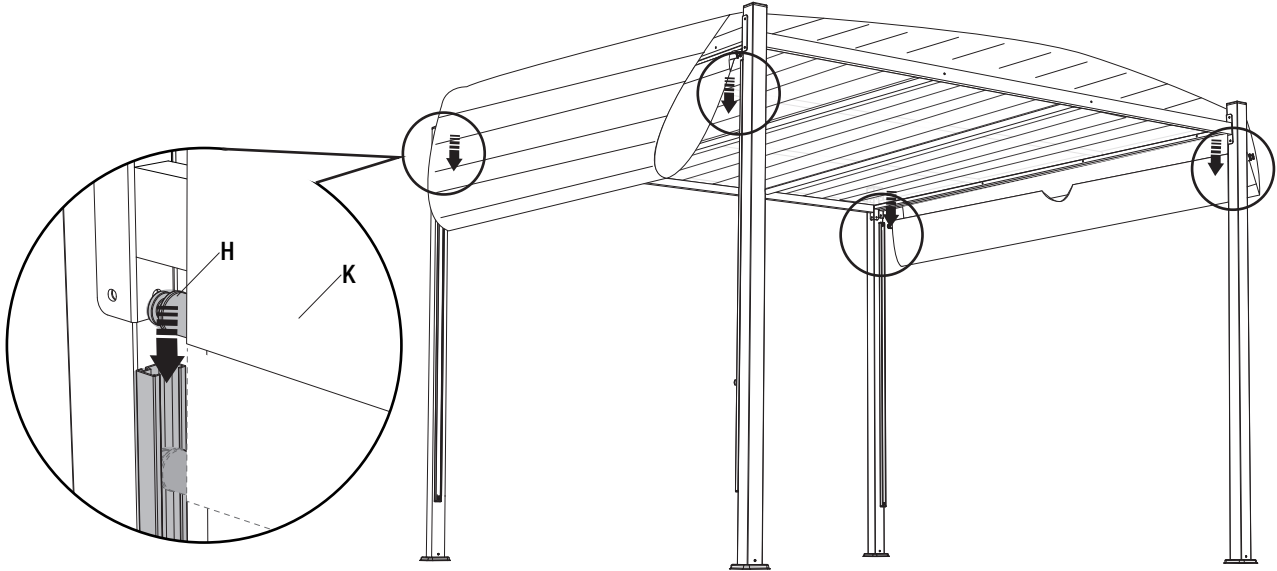
- Slide the fabric rods (H) into the side canopy (K).



Assembly

9 Attaching the fabric rods to the post

- Insert the fabric rods (H) into posts.

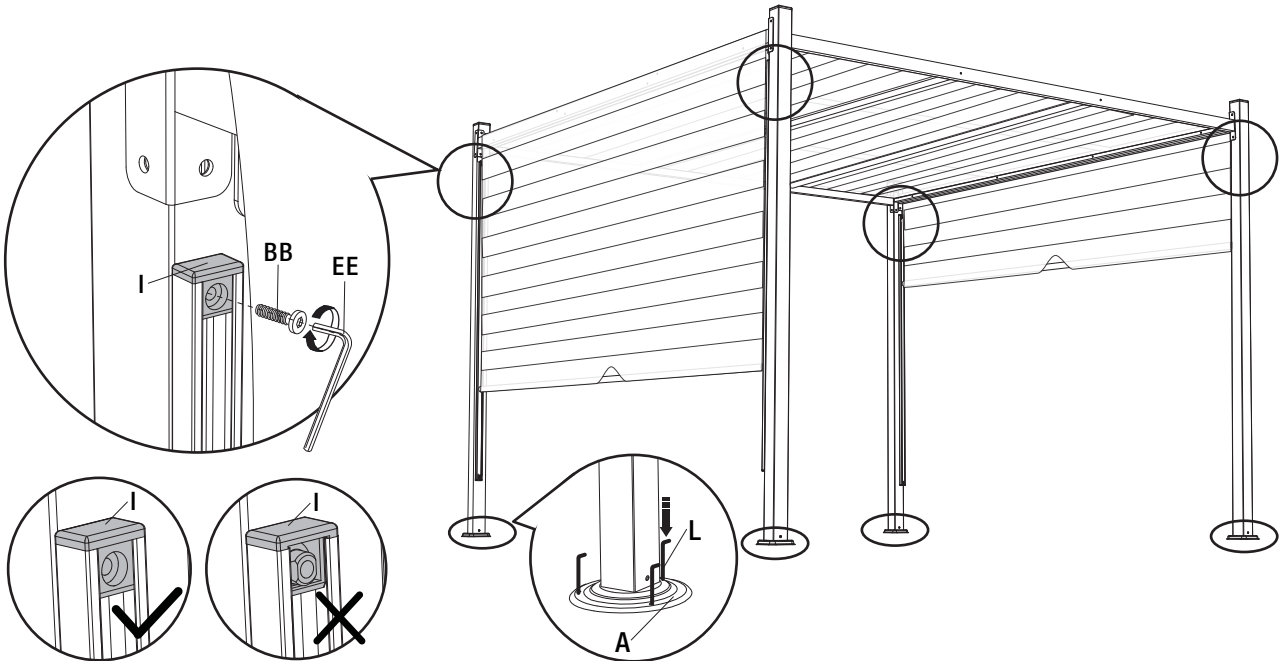


10 Inserting the caps into the posts

- Insert the caps (I) to the posts using M6 bolts (BB).
- Insert the nails (L) into the post base (A).



NOTE: Please ensure all the bolts are assembled correctly and use the Allen driver (EE) to tighten.



Care and Cleaning

- Steel components for this pergola are treated with rust inhibiting paint that protects it from rusting. However, due to the nature of steel, surface oxidation (rusting) will occur if these protective coatings are scratched. This is not a defect and thus not covered by the warranty.
- To minimize this condition, it is recommended to use care when assembling and handling the product to prevent scratching the paint. Should any scratching or damage occur, it is recommended to cover the scratch immediately with rust inhibiting paint (not included).
- Surface rust can also be easily removed with a very light application of regular cooking oil or WD-40. If surface oxidation (rusting) occurs and if no measure is taken to prevent this, the oxidation may start dripping onto deck or patio and cause damaging stains, which may be difficult to remove. This can be prevented if the above-mentioned measures are taken to keep the product from oxidizing.
- Do not use bleach, acid, or other abrasive cleaners on the roof or frame parts.
- Keep instruction manual for future reference.
- Keep the original packaging to store the pergola.
- When not in use, store in a cool, dry area.
- Do not leave the pergola assembled when there is a risk of high wind, rain, or snow as possible damage will occur to the structure.
- This pergola is intended for decorative and sunshade purposes only and is not meant to withstand extreme weather conditions including high winds, torrential rain and snow, when these weather conditions are expected remove the canopy to prevent damages.
- Periodically check and ensure that all bolts are well-tightened during use.

HAMPTON BAY[®]

Questions, problems, missing parts? Before returning to the store,
call Hampton Bay Customer Service
8 a.m. – 7 p.m., EST, Monday – Friday, 9 a.m. – 6 p.m., EST, Saturday

1-855-HD-HAMPTON

HAMPTONBAY.COM

Retain this manual for future use.