

UTILITY PUMP



LSC-121P/PL
LSC-252P/PL

LSC-126P/PL
LSC-256P/PL

Features and benefits

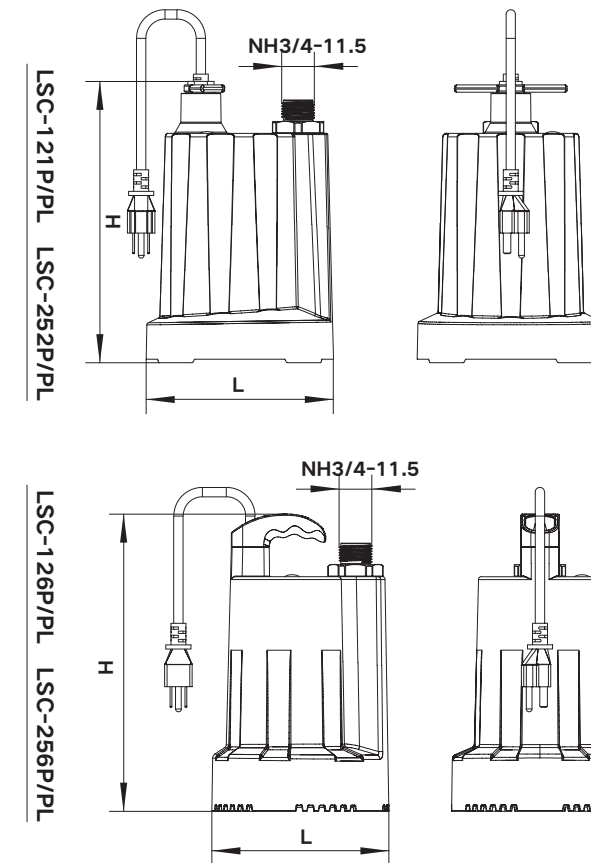
- Continuous duty and unique ergonomic handle design for easy portability
- Corrosion-resistant, reinforced thermoplastic construction
- Bottom suction design filters debris and removes water down to 1/4" of surface
- Oil-filled permanent split capacitor motor and built-in automatic thermal overload protector
- 1-1/4" NPT discharge with 3/4" garden hose adapter included

Pump Performance

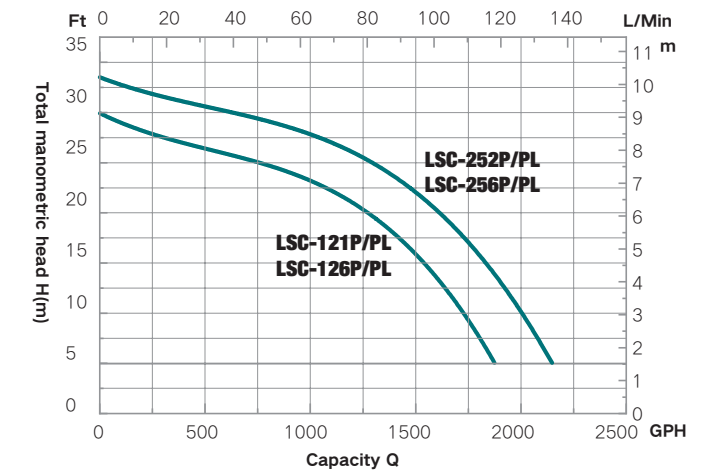
| Model | HP | Voltage | AMP | Oil filling capacity | Discharge NPT(In) | GPH of water@Total Ft.of Head | | | | | Max. Head Ft |
|-----------|-----|---------|------|----------------------|-------------------|-------------------------------|------|------|------|------|--------------|
| | | | | | | 5ft | 10ft | 15ft | 20ft | 25ft | |
| LSC-121P | 1/6 | 115V | 3.2A | 550ml | 1-1/4 in | 1850 | 1700 | 1500 | 1250 | 750 | 29.5 |
| LSC-121PL | 1/6 | 115V | 3.5A | 550ml | 1-1/4 in | 1850 | 1700 | 1500 | 1250 | 750 | 29.5 |
| LSC-126P | 1/6 | 115V | 3.2A | 500ml | 1-1/4 in | 1850 | 1700 | 1500 | 1250 | 750 | 29.5 |
| LSC-126PL | 1/6 | 115V | 3.5A | 400ml | 1-1/4 in | 1850 | 1700 | 1500 | 1250 | 750 | 29.5 |
| LSC-252P | 1/3 | 115V | 4.0A | 560ml | 1-1/4 in | 2110 | 2000 | 1850 | 1650 | 1300 | 33.5 |
| LSC-252PL | 1/3 | 115V | 4.0A | 560ml | 1-1/4 in | 2110 | 2000 | 1850 | 1650 | 1300 | 33.5 |
| LSC-256P | 1/3 | 115V | 4.0A | 450ml | 1-1/4 in | 2110 | 2000 | 1850 | 1650 | 1300 | 33.5 |
| LSC-256PL | 1/3 | 115V | 4.0A | 400ml | 1-1/4 in | 2110 | 2000 | 1850 | 1650 | 1300 | 33.5 |

*model with "L" means aluminium wire

Dimension

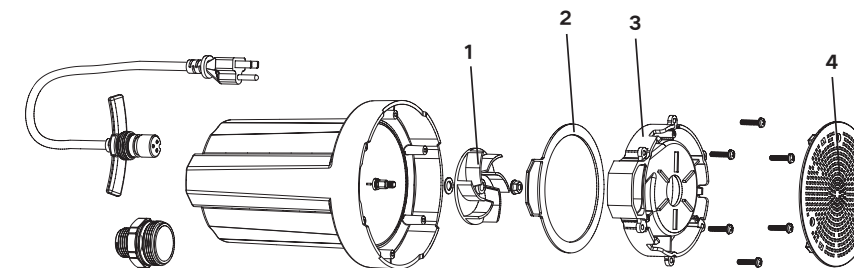


Hydraulic Performance Curves



| Model | L(in) | H(in) | NH(in) |
|-----------|-------|-------|----------|
| LSC-121P | 6.18 | 9.25 | 3/4-11.5 |
| LSC-121PL | 6.18 | 9.25 | 3/4-11.5 |
| LSC-126P | 5.83 | 9.76 | 3/4-11.5 |
| LSC-126PL | 5.83 | 9.76 | 3/4-11.5 |
| LSC-252P | 6.18 | 9.25 | 3/4-11.5 |
| LSC-252PL | 6.18 | 9.25 | 3/4-11.5 |
| LSC-256P | 5.83 | 9.76 | 3/4-11.5 |
| LSC-256PL | 5.83 | 9.76 | 3/4-11.5 |

Dimension



- 1 Impeller PA6-GF25
- 2 Sealing gasket NBR
- 3 Pump base PP-GF30
- 4 Filter screen PP-TD10

Package information

| Model | GW(lbs) | L(in) | W(in) | H(in) |
|-----------|---------|-------|-------|-------|
| LSC-121P | 8.37 | 7.9 | 7.1 | 11 |
| LSC-121PL | 8.37 | 7.9 | 7.1 | 11 |
| LSC-126P | 8.26 | 7.09 | 7.09 | 10.83 |
| LSC-126PL | 7.64 | 7.09 | 7.09 | 10.83 |
| LSC-252P | 9.03 | 7.9 | 7.1 | 11 |
| LSC-252PL | 9.03 | 7.9 | 7.1 | 11 |
| LSC-256P | 8.30 | 7.09 | 7.09 | 10.83 |
| LSC-256PL | 8.08 | 7.09 | 7.09 | 10.83 |

